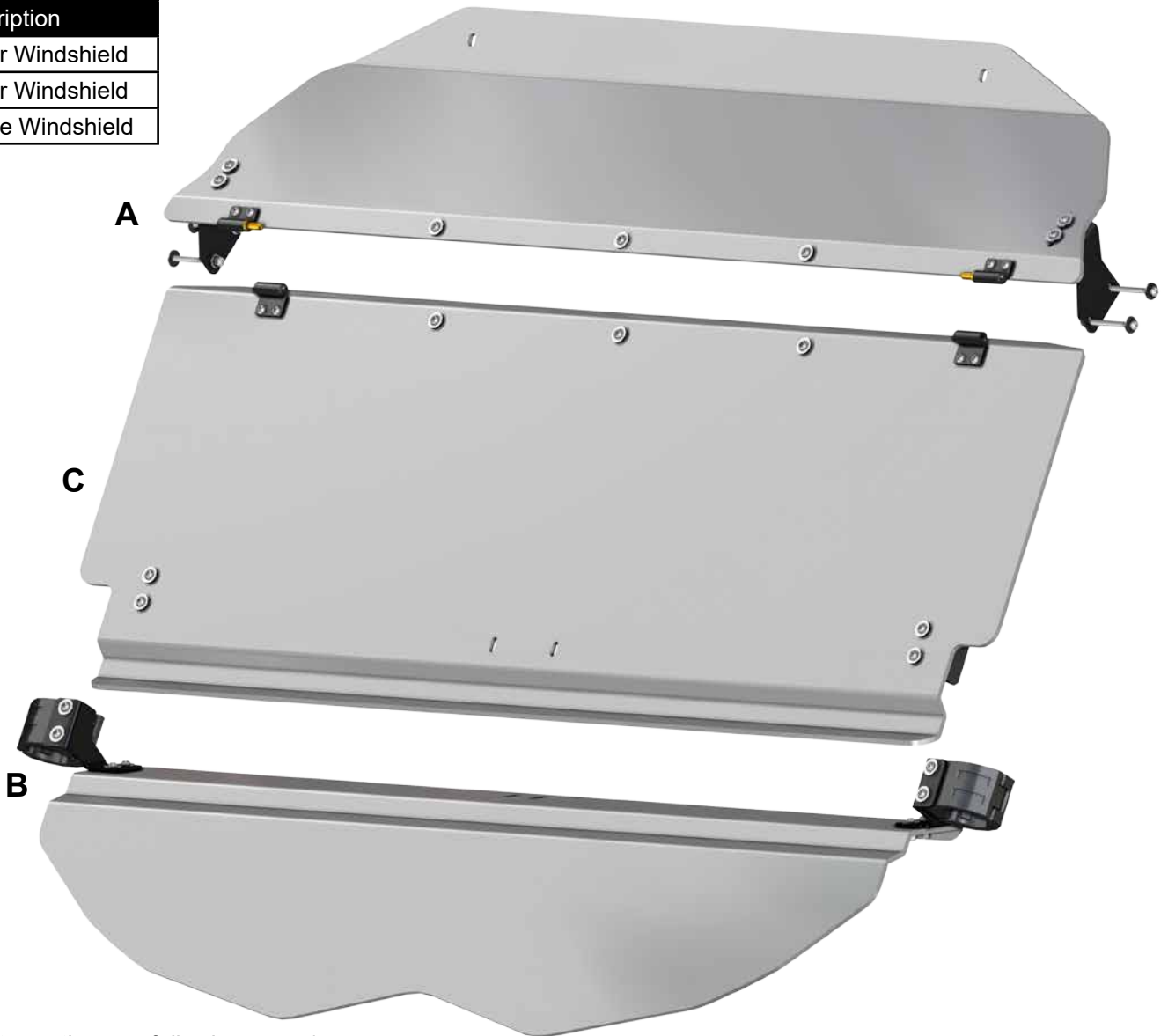


Item	Description
A	Upper Windshield
B	Lower Windshield
C	Middle Windshield



(kit contents continue on following pages)

Read instructions and view illustrations before beginning.

Need help with your installation?



sales@superatv.com



www.superatv.com



1-812-574-7777



8:00am - 9:00pm EST M-Th
8:00am - 7:00pm EST Friday
9:00am - 2:00pm EST Saturday

*Thank You
For Choosing*

Liability Statement

SuperATV's[®] products are designed to best fit user's ATV/UTV under stock conditions. Adding, modifying, or fabricating any factory or aftermarket parts will void any warranty provided by SuperATV[®] and is not recommended. SuperATV's[®] products could interfere with other aftermarket accessories. If user has aftermarket products on machine, contact SuperATV[®] to verify that they will work together.

Although SuperATV[®] has thousands of satisfied customers, user should be aware that installing lift kits, long travel, or suspension kits, tires, etc. will change the ride of machine and may increase maintenance and part wear. Operating any off-road machine while, or after, consuming alcohol and/or drugs increases risk of bodily harm or death. No warranty or representation is made as to this product's ability to protect user from severe injury or death. SuperATV[®] urges operators and occupants to wear a helmet and appropriate riding gear at all times.

By purchasing and installing SuperATV[®] products, user agrees that should damages occur, SuperATV[®] will not be held responsible for loss of time, use, labor fees, replacement parts, or freight charges. SuperATV[®], nor any 3rd party, will not be held responsible for any direct, indirect, incidental, special, or consequential damages that result from any product purchased from SuperATV[®]. The total liability of seller to user for all damages, losses, and causes of action, if any, shall not exceed the total purchase price paid for the product that gave rise to the claim.

SuperATV[®] will warranty only parts provided by SuperATV[®]. Any damage or problems with OEM housings, bearings, seals, or other manufacturers' products will not be covered by SuperATV[®]. SuperATV[®] parts and products are not warranted if item was not installed properly, misused, or modified.

(kit contents continued)




- Preassemble Gas Struts to Clamps.
- Set aside.

Windshield Cleaning:


- Do not use a dry cloth, or your hands, to wipe off Windshield; Scratching will occur.
 - Do not use window cleaning fluids (Windex, 409, etc) or any solvents (gasoline, denatured alcohol, acetone, etc).
 - Never use abrasive cleaners, abrasive pads, or gritty cloths.
1. Thoroughly rinse Windshield to float off dirt and mud.
 2. Using a soft cloth, or microfiber cloth, clean Windshield with warm water and a gentle detergent. Baby shampoo or hand washing soap are recommended.
 3. To prevent water spots, use a chamois and blot Windshield dry.

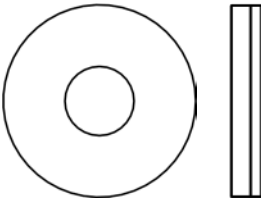
(kit contents continued)


4x  M6-1.0 x 20mm Lg. BHCS

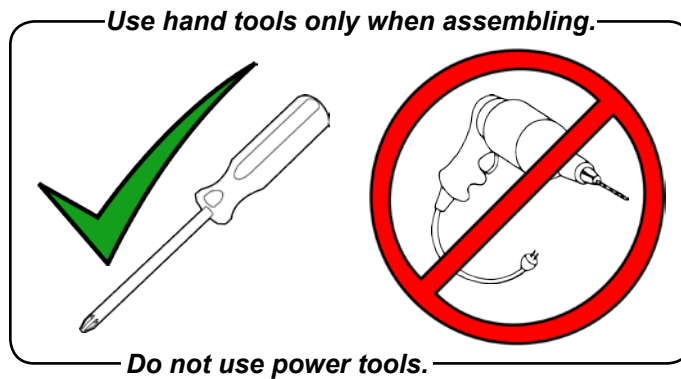
4x  M6-1.0 Nylock Nut

2x  M8-1.25 x 30mm Lg. BHCS

4x  M8-1.25 Nylock Nut

2x  M8 Sealing Washer

 Rubber must face Windshield when installing Sealing Washer



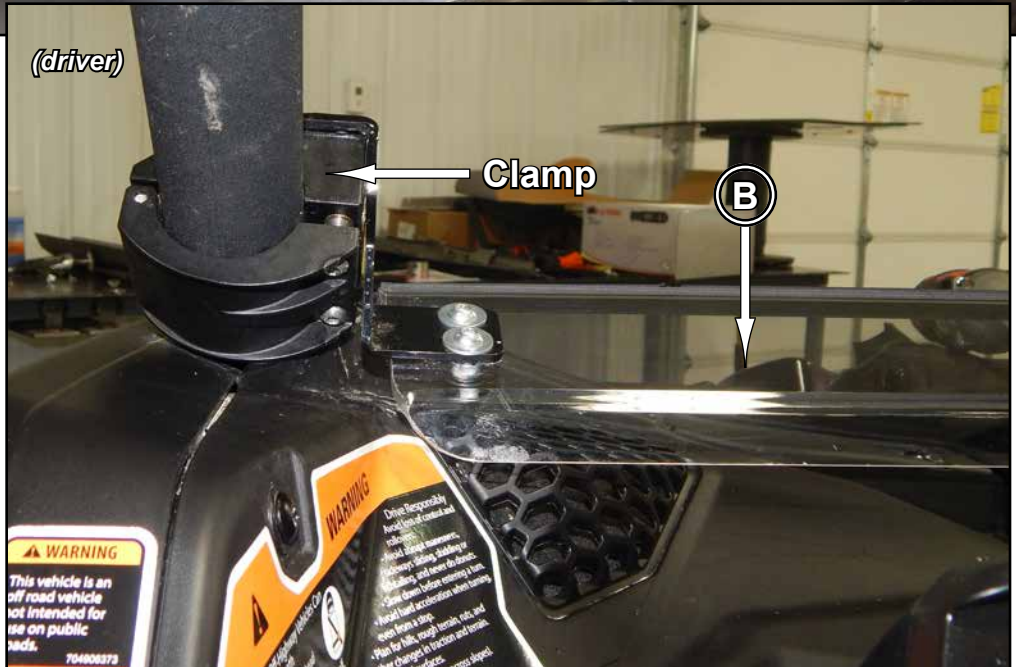
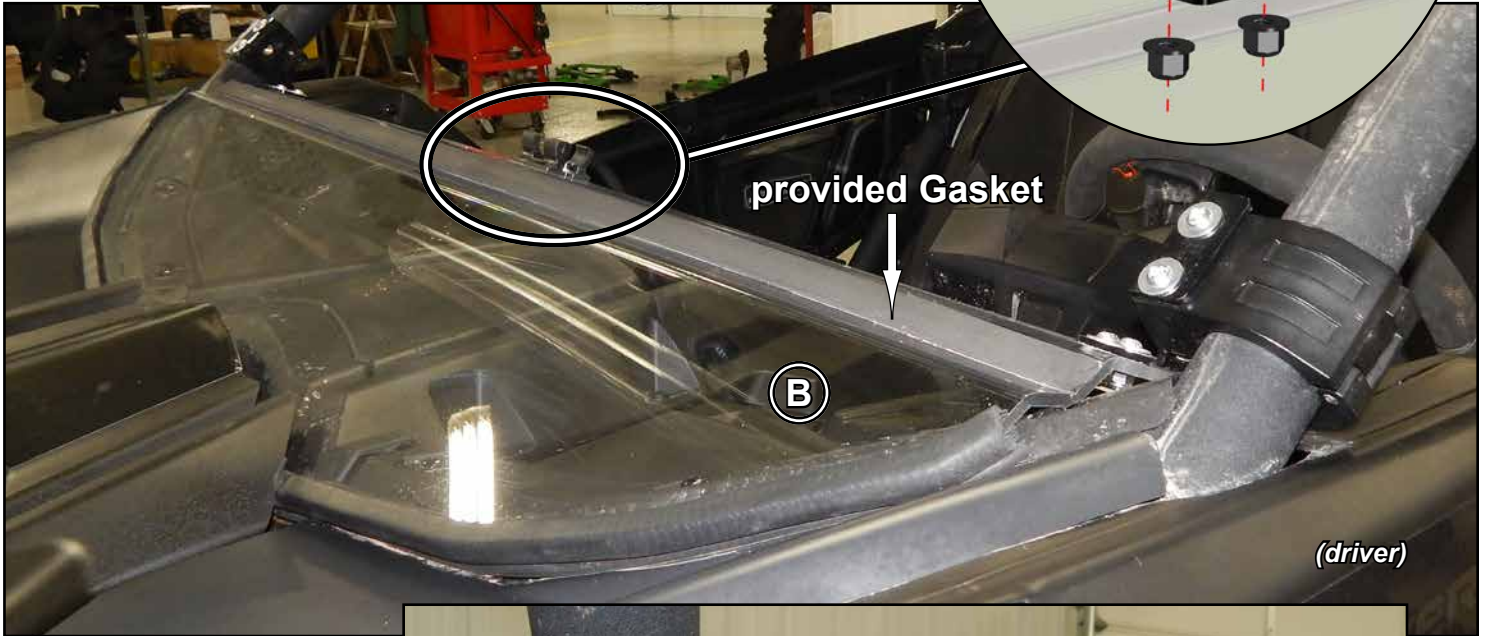
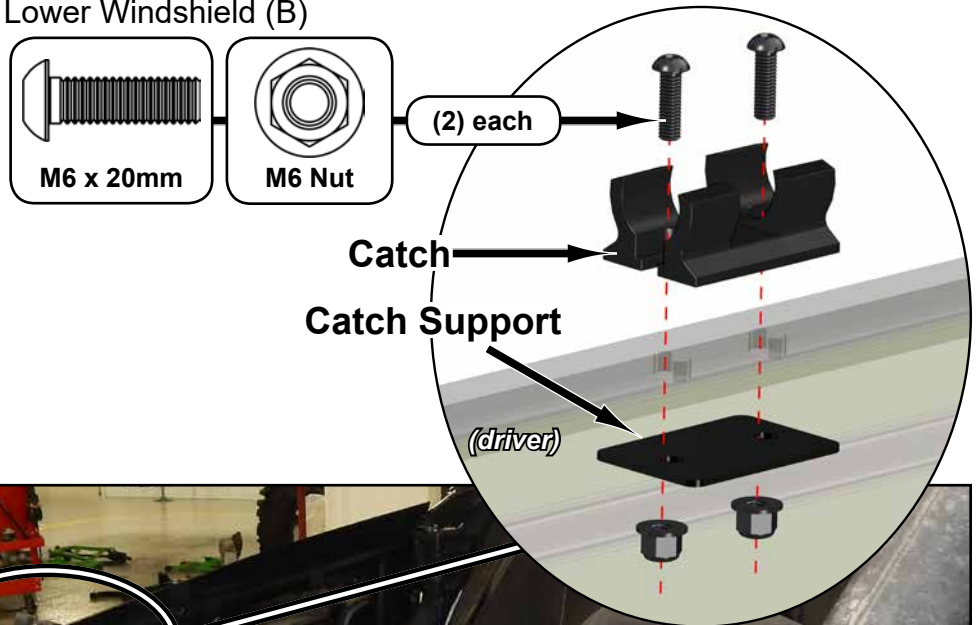
Cut and install Seal to bottom of windshield as shown

To ease installation, soak Seal in hot water before cutting or installing to increase flexibility.



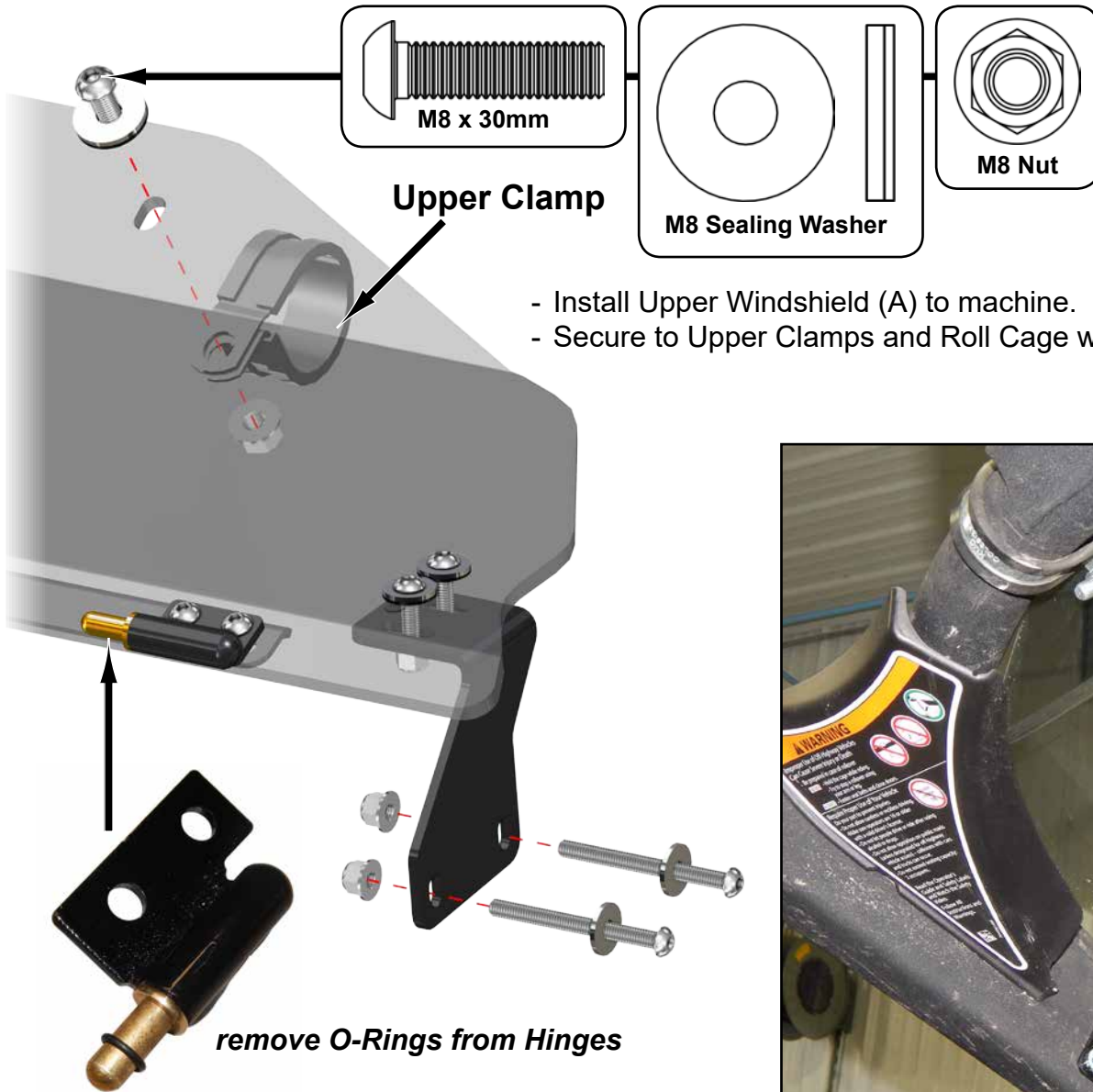
Do not tighten any hardware completely unless noted.

- Install Lower Windshield (B) to machine.
- Secure Clamps around Roll Cage.
- Install provided Gasket as shown.
- Install Catch and Catch Support to Lower Windshield (B) with hardware shown.



- Install Upper Clamps to machine as shown.

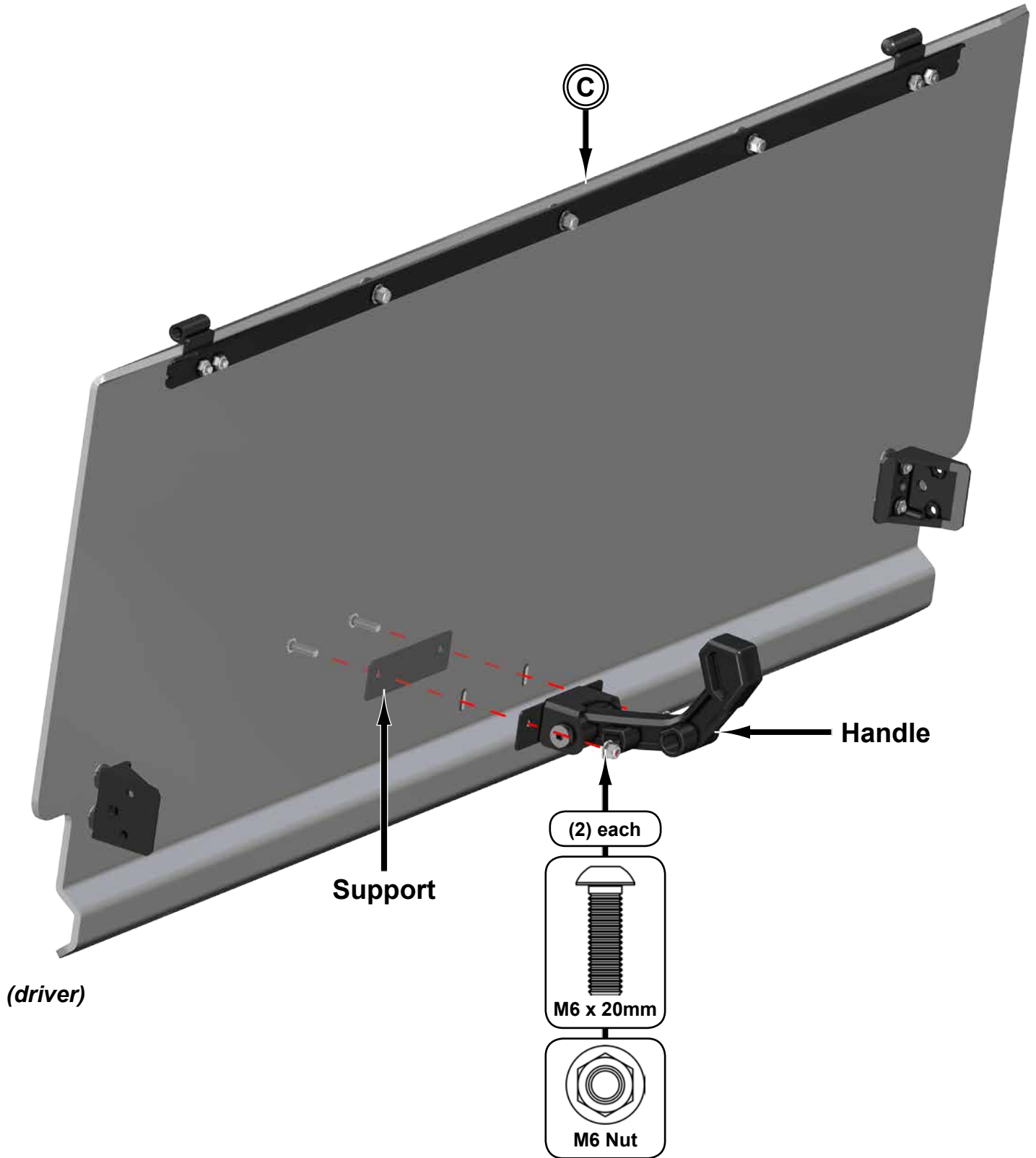




- Install Upper Windshield (A) to machine.
- Secure to Upper Clamps and Roll Cage with hardware shown.



- Install Handle and Support to Middle Windshield (C) with hardware shown.



- Install Middle Windshield (C) to machine by inserting Hinges into Upper Windshield (A) Hinges.



Engage Latch and align Windshields to machine and tighten all hardware completely.



- Install Clamps/Gas Struts assembly to Roll Cage as shown.
- Open Middle Windshield (C) and secure Gas Struts with hardware shown.



Tighten all hardware completely.