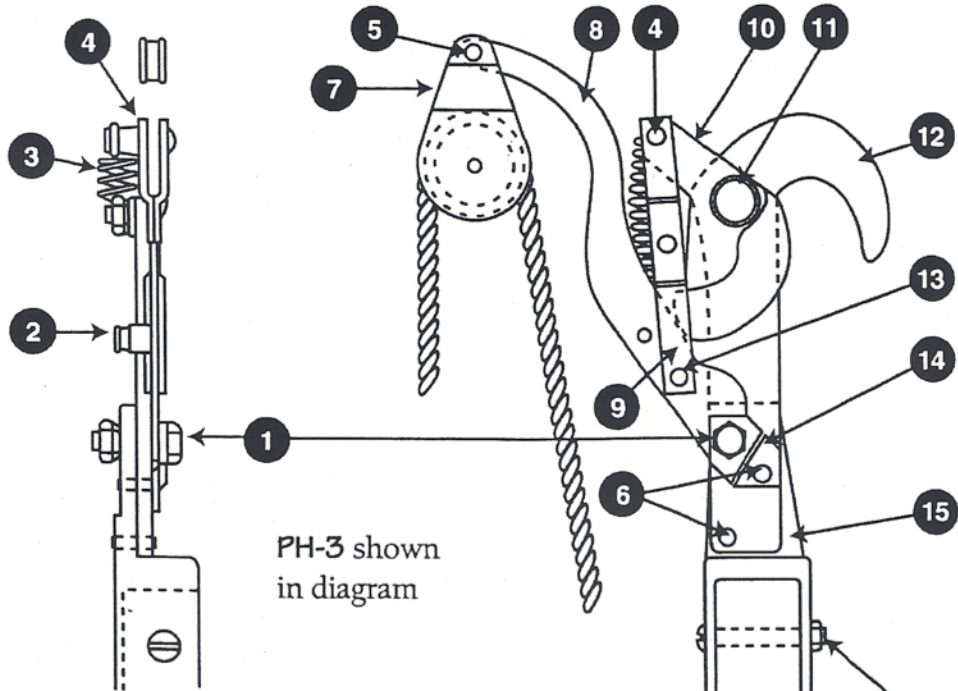
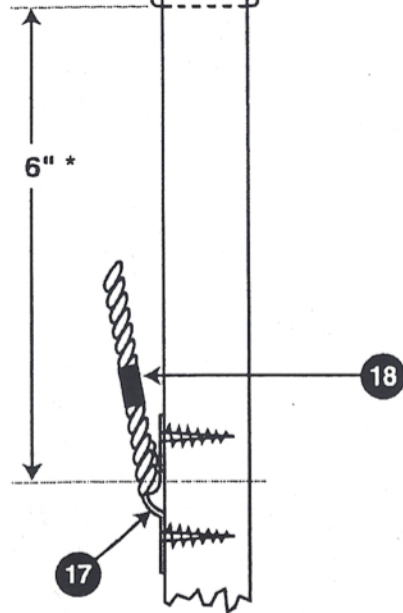


4484 Allen Road
 Stow, OH 44224
 P: 330-784-9211
 F: 330-784-1390



- | | |
|--------------------------------|---------|
| 1 Block bolt washer & nut | Z124 |
| 2 Lower spring pin | Z110 |
| Lower spring pin - QCB & PH5 | Z110b |
| 3 Spring | Z104 |
| Spring - QCB & PH5 | Z104b |
| 4 Upper spring pin | Z106 |
| Upper spring pin - QCB & PH5 | Z106b |
| 5 Pulley pin | Z116 |
| 6 Casting rivet | Z130 |
| 7 Pulley | Z115 |
| Pulley assembly swivel - PH2 | Z115a |
| Pulley assembly upper - QCB | Z115b |
| Pulley assembly lower - QCB | Z115L |
| 8 Lever (Z110 attached) | Y102 |
| Lever - QCB & PH5 | Y102b |
| 9 Link | Z103 |
| Link - QCB & PH5 | Z103b |
| 10 Blade | Z101 |
| Blade - QCB & PH5 | Z101b |
| 11 Cap screw washer & nut | Z105 |
| 12 Hook | Y101 |
| Hook - QCB & PH5 | Y101b |
| 13 Link pin | Z108 |
| 14 Lever block | Z111 |
| 15 Casting - square PH3 | Y103 |
| Casting - round | Y104 |
| 16 Pole bolt & nut PH3 | Z117a/b |
| Pole bolt & nut round casting | Z117c |
| 17 Rope anchor - wood pole | Z120 |
| Rope anchor - fiberglass pole | Z120a |
| Rope anchor - foam filled pole | Z120FF |
| 18 Rope ring | Z127 |



NOTE – Marvin replacement parts are intended for Marvin pruner heads only.

MAINTENANCE - Wipe pruner head after each use. Gently file any burrs on blade. Spray blade/hook with a lubricant spray.