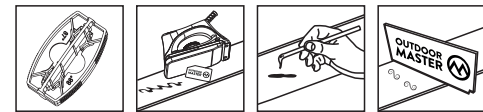




Outdoormaster (HK) Trading
Limited Room 517, New City
Center, 2 Lei Yue Mun Road,
Kwun Tong, Kowloon, HK
www.outdoormaster.com

Customer Service Email:
care@outdoormaster.com



Instruction Manual

STK-3 Standard Version

STK-3 Pro Version

STK-3 Luxury Version

CONTENT

1. Waxing Kit Bag
2. Wax Iron
3. Wax Scraper(230mm length)
4. Metal Scraper(130mm)
5. Wax (all temperature,100g)
6. PTEX (black and clear)
7. Edge Tuner (87°/88°/89°/90°)for side edge
8. File(200mm,11 Z/CM)
9. Waxing Apron
10. Fibertex Pads
11. Sand Paper(For polishing the edge)
12. Manual
13. Brush(Nylon, Horse hair, Brass)
14. Ski Brake Retainers
15. Snowboard Binding Screw Set - 8pcs

STANDARD VERSION



THE WAX #5

Everyone starts with a universal OutdoorMaster wax. This is the most basic of waxes work with all temperature in different conditions. Recreational skiers will use this alone; racers and high performance seekers will use wax with additives. Different waxes will perform differently under specific conditions. You need to choose the proper wax according to the temperature and the air humidity. Suitable temperature for the OutdoorMaster universal wax: -10°C / $+10^{\circ}\text{C}$

How to use wax iron to apply wax

1- Prepare your base If your bases are dirty, the wax won't adhere properly. Wipe the base with a Scotchbrite Pad to remove even the tiniest dust particles, ensuring a clean surface to work with. Make sure your base is flat, otherwise it's very difficult for your iron to glide smoothly across the base. Coat the base with hot wax and scrap it off if necessary.

How to use wax iron to apply wax

2- Apply wax - use tool #2 and #5 Choose the proper wax according to the temperature and the air humidity. Simply hold the bar of wax to the base of the iron and allow the melted wax to drip onto your ski base. Set the proper iron temperature so wax flows easily. Adjust the iron temperature to melt the wax and make sure no smoke comes from the iron. Spread the wax evenly from edge to edge on the base, be patient and go slowly. NOTE: The iron should constantly move and never stop at one point on the board to avoid damage.

How to use wax iron to apply wax

3. Scrape off the extra wax: use tool #3 and #10 or #13 Allow the wax cool down to room temperature for at least twenty minutes and let it solidify to become a part of the base. Scrape off excess wax with a plastic scraper. The wax should fully penetrate into the board base. Use a nylon brush to remove the excess wax by brushing from tip to tail in one continuous pass. Follow the brushing with the horsehair brush or non-abrasive pad for highly polished bases. A final wipe down with fine fiber pad cleans the wax particles caused by brushing and polishes your base, thus further enhances the glide.

How to use wax iron to apply wax

4-Final Polishing - use #10 or #13 Repeat the brush process, this process is very important the more you brush the faster your board will go. Final polish your base with a Scotchbrite Pad then follow with a cleaning cloth to make it shine.



BASE REPAIR - use tool #4 and #6

Our waxing kit includes a base repair tool- Ptex candle and metal scraper. These tools will help repairing the gouge on your base damage.

1.Light the Ptex candle. Drip the candle onto the metal scraper to prevent oxidation.

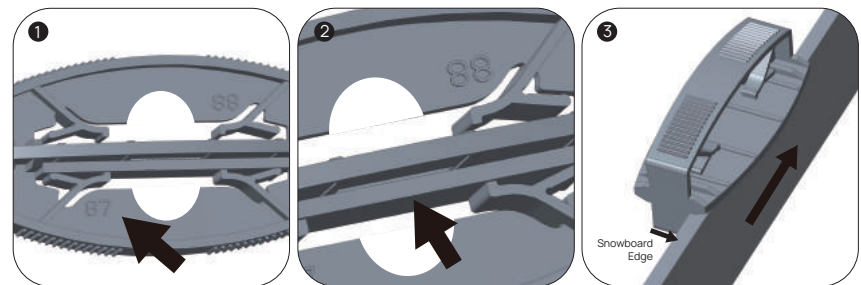
2.Hold at a 45° angle about 1" above the gouge (you want a blue flame, not yellow or red, adjust the height to achieve this. Drip the candle into the gouge carefully.)



EDGE TUNING

3.Wait for the Ptex to cool down (about 10-15 minutes) after the gouge is filled. Use a metal scraper to remove the excess Ptex.

4.WARNING!!! When burning, the Ptex candle can be extra-hot (over 970°F) in order to consume some of the undesirable black carbon created while the candle burns. So please be really careful not to burn yourself!



#1 Choose an angle,
For example 89 degree

#2 Follow the direction on the
tuner (might be different as the
picture displays)

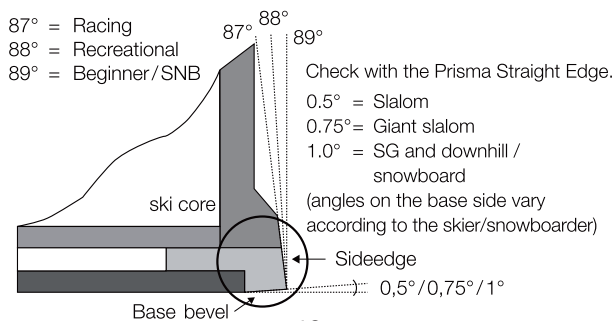
#3 Hold the tuner on the side of
your skis.

EDGE TUNING - use tool #7, #8 and #11

Sharpening your ski snowboard edges will help you to ride and carve in almost all conditions.

Sharpening Your Side Edge

1. Fix the ski snowboard into the 2 vices with the base facing away from you and the edge you are working on facing upwards.
2. Use sand paper along the edge and base edge to remove any burrs and take care of any rust spots.
3. Take a file and glide very lightly across the edge to remove very sharp ripple from your board.



EDGE TUNING

4. Pick your angle. Most snowboard angles are around 88° to 89°. For racing, according to the brand and your preference it might go to 87°. Put the file into the multi-angle sharpener and make sure the file doesn't move. The arrow on the file shows the direction it goes. Start from one end, keep the same angle and pressure, go with one continue pass from tip to tail. Repeat the process once or twice. You can test it with your finger nails. If your nail surface could be scraped off a little bit, it means your edge is nicely sharp.
5. Use sand paper #11 to remove the burrs of the edge.
6. Turn your board around and repeat on the other edge.



Intended use

The wax iron is a special tool designed exclusively for applying wax to ski and snowboard gliding surfaces.

Technical data

Type	Standard wax iron
Model	T-50C
Output	120 V / 60 Hz – 800 W 230V / 50 Hz - 1000W
Dimensions	180 x 90 x 115 mm (L x W x H)
Temperature range	From 100°C to 160°C
Weight	860g

CAUTION

Please note the following safety precautions!
Before use and during waxing.

- Connect the device to a grounded socket protected by a ground fault circuit breaker.
- Check the label for the connected load.
- The device must not contact with water or moisture during operation or storage.
- Do not carry out any work on the device if your concentration is impaired or if you are under the influence of drugs, alcohol or medicines.
- Never leave the device unattended during operation! Please ensure a sufficient supply of fresh air to the room!
- Due to its function, the device will become hot.
- Therefore only touch the device by the handle provided.
- Never allow the power cable to touch the hot plate.

- The device must be used and deposited on a stable surface (ideally on the heat-resistant rubber mat provided) or in upright position.
- Keep the device out of the reach of children.
- Never leave the device lying on the underside (gliding surface) of the ski (or snowboard).



- Never touch the device with wet hands. Never touch the device's hotplate! Take care not to burn your fingers when dripping ski wax onto the ski or snowboard base.
- Handle the device with care and do not drop it.

Caution

Faults caused by material defects and manufacturing errors will be remedied during the warranty period. We do not accept liability in the following cases:

- Without a valid receipt.
- If the device is used unprofessionally or for an unintended purpose.
- In case of accidents, through damage to the device or lack of attention.

- In case of unintended use, storage, maintenance or care.
- All damage caused by improper handling, unauthorized repair attempts, or modifications to the device.
- Transport damage and breakage.
- Damage due to fire, abnormal or bad power sources and incorrect use.

Temperature setting

Turn the temperature control to set the desired ironing temperature. While the device is heating, the indicator lamp are on. They will turn off once the preset ironing temperature is reached.

Applying wax to the ski/snowboard gliding surface

Hold the wax bar in one hand, and the device in the other. Hold both above the ski/snowboard gliding surfaces and press the wax bar against the hot metal so that the wax drips onto the the gliding surface. After dripping wax onto the entire base, melt in the wax by moving the device evenly over the base from the tip of the ski/snowboard to the end without exerting pressure.

Repeat this process 2 or 3 times – without exerting pressure, from the tip to the tail of the ski at a speed of approximately 3cm/sec.

After use

- Turn the temperature control counter-clockwise and stop at the OFF position.
- Do not pull the device by the power cable and do not pull the plug out of the socket by pulling the cable.

Danger of burns!

- Clean the hotplate with a soft cloth while it is still hot. Contact between the hotplate and the cloth must be kept short.
- After cooling, you can also clean the hotplate with a wax remover, if needed.
- Do not store the device until it has cooled completely. Do not twist or kink the cable.

Environmental protection

- Do not dispose of the device as domestic waste at the end of its service life. Take it to an official collection point for recycling.



Conforms to UL Std. 60335-1 & 60335-2-3

Certified to CAN/CSA Std. C22.2 No.81

MADE IN CHINA