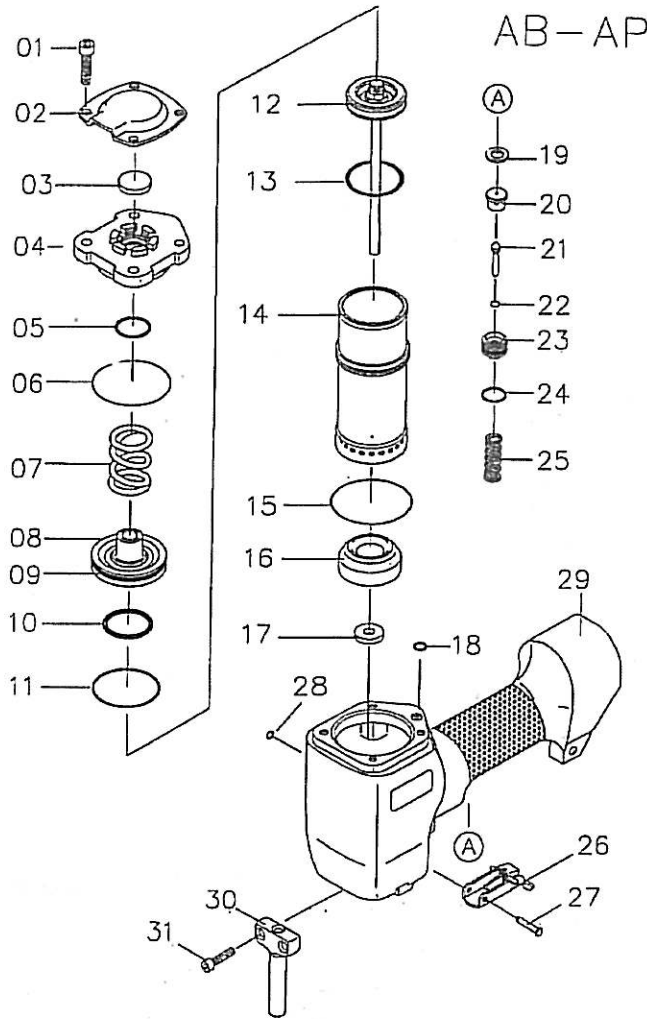


NR101-V1

PARTS LIST

* = inside dia. X thickness



Index No. 34 (See below)	
7 pc O-ring set - \$10	
Index	Dash No.
5	2-113
6	*40mm x1mm
9	2-127
10	2-117
11	2-217
13 (2)	2-214

Index No. 35 (See below)	
Overhaul kit - \$30	
Index	Dash No.
3	-
5	2-113
6	*40mm x1mm
9	2-127
10	2-117
11	2-217
13 (2)	2-214
15	2-028
16	-
17	-
18	2-006
19	-
22	*3.1mm x1.6mm
24	2-012
28	2-007

Index	Q'ty	Description	Price (per piece)	Total
1		Hex Socket HD Bolt	\$1.00	
2		Deflector	4.00	
3		Seal	3.00	
4		Cylinder Cap	14.00	
5		O-Ring	1.50	
6		O-Ring	1.50	
7		Spring	3.00	
8		HD Valve Piston	18.00	
9		O-Ring	1.50	
10		O-Ring	1.50	
11		O-Ring	1.50	
12		Driver Unit	30.00	
13		O-Ring	1.50	
14		Cylinder	30.00	
15		O-Ring	1.50	
16		Bumper	8.00	
17		Joint Guide	2.50	
18		O-Ring	1.50	
			Subtotal	

Index	Q'ty	Description	Price (per piece)	Total
19		Seal	2.50	
20		Trigger Valve HD	5.00	
21		Valve Stem	5.00	
22		O-Ring	1.50	
23		Trigger Valve Guide	5.00	
24		O-Ring	1.50	
25		Spring	3.00	
26		Trigger Unit	7.00	
27		Stepped Pin	2.50	
28		O-Ring	1.50	
29		Gun Body Unit	182.00	
30		Nose	30.00	
31		Hex Socket Bolt w/nut	2.00	
32		Inlet Port	3.00	
33		Inlet Port Cover	1.00	
34		O-ring Set (See above)	10.00	
35		Overhaul kit (See above)	30.00	
			Subtotal	
			Total	