

Product Manual : Ver 1.00

TP-690

Tuga



Thank you very much for purchasing a Snow Peak product. This product is a shelter designed for camping. To use this product safely and correctly, please carefully read these instructions. After reading these instructions, keep this manual in a safe place for future reference. If you find anything in the instruction manual that is difficult to understand or find a defect with the product, stop using it immediately and contact the dealers where the product was purchased or Snow Peak Customer Service.

Set Contents

The contents are designed to be set up in normal conditions. You can prepare sturdy, long pegs or ropes for setup in a wider range of conditions. Pegs and rope tensioners are consumable items. We recommend that you always carry spares of these items.



Peg case



Duralumin Pegs
x25



Rope with a rope tensioner
(3.5 m / 11.5'x6, 2 m / 6.6'x6,
1.5 m / 4.9'x2)



Instruction manual
(this document)



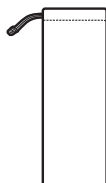
Safety belt



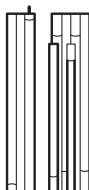
Inner Room



Fly sheet



Pole case



Ridge pole
A pole x 2
Center pole x 2
Visor pole
C pole



Carry bag

Pole configuration



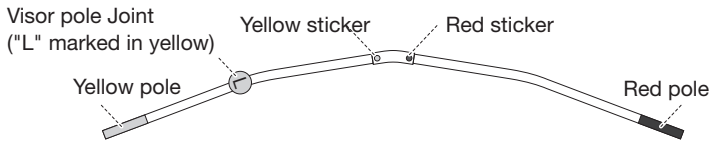
Ridge pole x 1



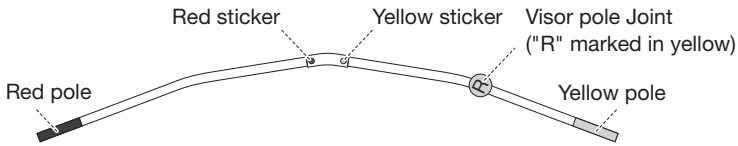
Visor pole x 1



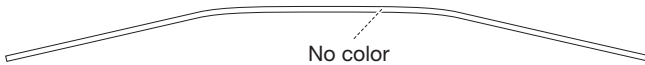
Center pole x 2



A pole (L) x 1



A pole (R) x 1



C pole x 1

⚠ DANGER Misuse could easily result in a serious accident or death.

- The material of this shelter is not flame-proof. Do not use combustion-based heat sources such as lanterns, stoves, or heaters, or open flames such as matches, candles, lighters, or cigarettes, inside the shelter. The use of such heat or light sources inside a small enclosed space is hazardous and may result in fire, oxygen deficiency, or carbon monoxide poisoning.
- Do not keep fuel, or flammable items for replenishing the fuel, inside the shelter.

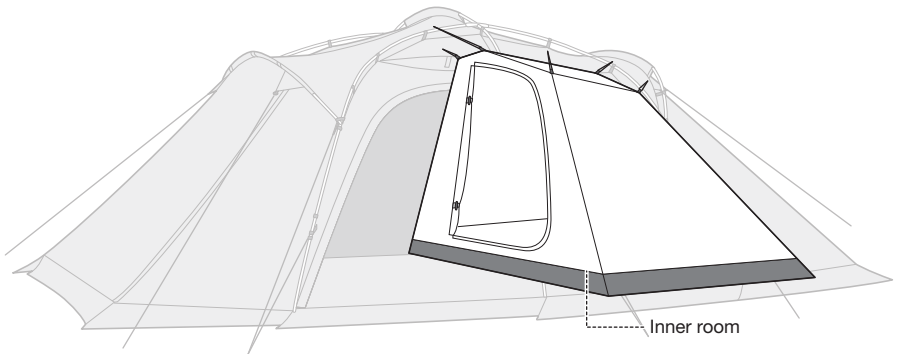
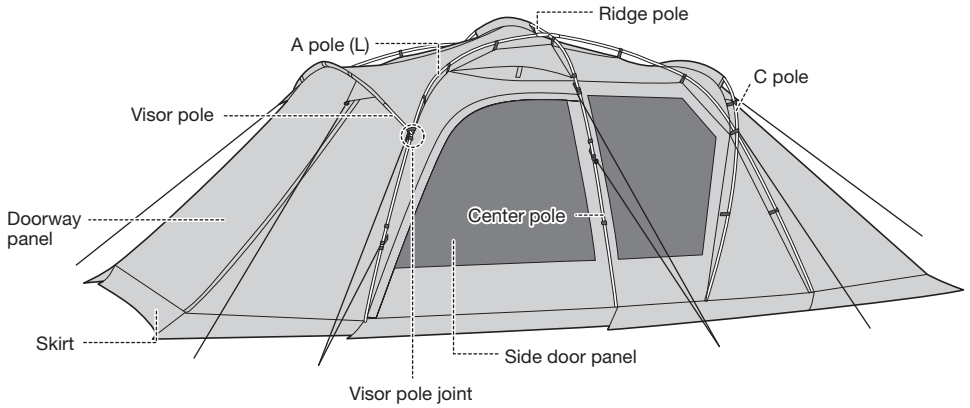
⚠ WARNING Improper use may result in death or serious injury.

- Before using the product, check each part for abnormalities. If there are abnormalities, take the product to the dealer or Snow Peak Customer Service for inspection or repair.
- Pay close attention to the weather. If extreme weather is in the forecast, pack up camp and evacuate to a safe place.
- Do not bring heated items into the tent when they are at high temperatures. Inside the tent, very high temperatures may cause heatstroke or fire.
- The temperature inside the shelter will be high during warm weather, and there is a risk of heatstroke. Pay close attention to the temperature, particularly when children are asleep inside the shelter.
- Choose a flat, well-drained area with firm ground to pitch the tent. Choose a place with no chance of avalanches, landslides, wind gusts, or sudden flooding.

⚠ CAUTION Misuse could result in injury to the user and/or property damage.

- This product is not intended to be in permanent use. If the shelter is left in the sun for long periods, the materials may fade in color, or the fabric may deteriorate and lose strength. Do not leave the shelter set up permanently.
- Sunlight can cause the surface of the shelter to heat up, potentially causing low-temperature burns.
- Do not assemble or use the shelter close to a bonfire, fireworks, etc. Flying sparks can create holes in the fabric.
- Firmly hold the shelter when assembling and disassembling. Unexpected accidents may occur due to the pole ends recoiling, etc., so ensure that the surroundings are safe, with no other people in the vicinity. Always assemble/disassemble this product with two or more people.
- Firmly secure the pegs, guy lines, etc.
- Because this product uses a thin fabric, it may break if you pull the fabric too much.
- Please pay attention to the building tape, rope, and pegs at your feet. You may catch your foot and fall, leading to an unexpected accident or injury.
- To withstand the wind and rain, it's important to tighten all the ropes following the instructions outlined in this manual.
- The inner room has a loop for hanging small items. Please only hang items that weigh less than 1kg (2.2lbs).

Name of Each Part

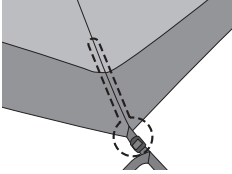


Before using for the first time

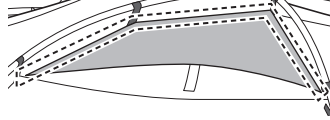
- Please check that all accessory items are included before attempting to assemble the product—practice assembling and handling the product in a safe location before using it while camping. In the unlikely event that there is a problem or a missing accessory, please contact the dealer where you purchased the product or Snow Peak Customer Service.

Preparations Before Use

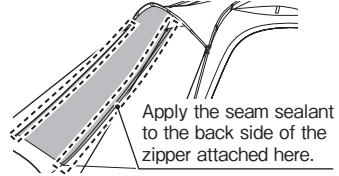
Waterproofing treatment with seam taping has been applied to the stitching of the product. However, seam tape could not be applied to the ventilator and fasteners on the main body and a portion of the bottom sheet of the inner room due to their inherent design. Although this product can withstand periods of normal rain, long spells of heavy or driving rain or prolonged contact with water pools on the ground may result in water penetrating along the stitching. Therefore, please purchase seam sealant (filler) separately available and apply it to the seams if necessary. Apply a little seam sealant to the front and back sides along the stitching, and make sure it is completely dry before use. The seam sealant will cure with time. As the seam sealant wears off, re-apply it as necessary. We do not provide a sealing service. However, to maintain the tent in its best condition, application of seam sealer by the user is highly recommended.



Apply the seam sealant to all the bottom corners of the inner room. (Four locations)



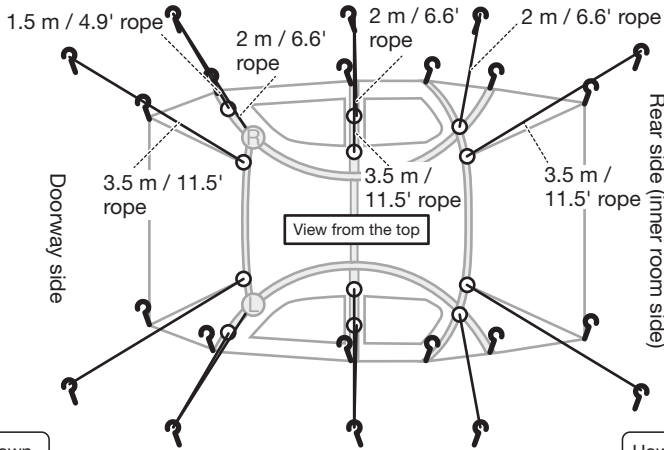
Apply the seam sealant to the front and back sides of the ventilation section. (Two locations)



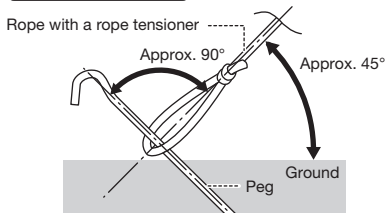
Apply the seam sealant to the back side of the sewn part of the zipper on the side of the doorway panel.

Rope with a rope tensioner, peg down position

Secure and peg down the tension ropes as shown below.

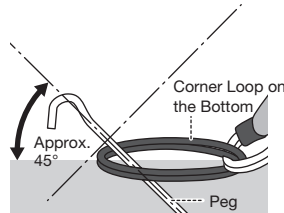


How to Peg Down

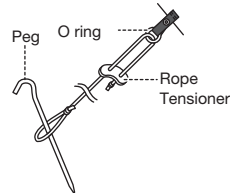


[Peg Down with Rope Attached]
Drive the peg into the ground as far from the shelter as possible. The ideal peg position is when the rope is angled 45° to the ground. Insert the pegs at a 90° angle to the rope.

How to Attach the Rope



[Peg Down to Rubber Loop]
Drive down so that the peg is angled about 45° to the ground.

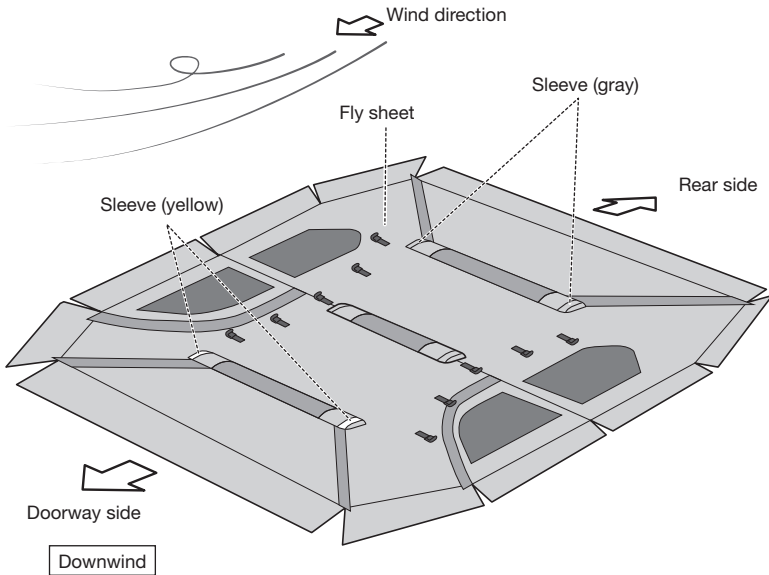


Pass the end of the rope through the O ring at the tip of each corner.

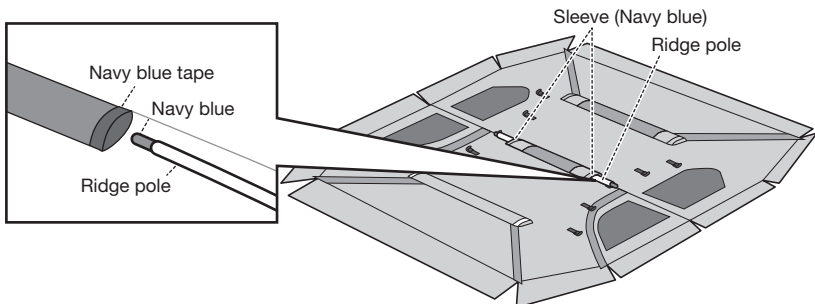
Setup procedure To ensure safety, this procedure should always be carried out by two or more people.

Please practice setting up and disassembling the tent repeatedly according to the following explanation in order to prepare to use it when camping. Make sure that you have all the accessories in advance. Inappropriate setup or disassembly may damage the main body or poles, or lead to an accident. Please read this manual carefully before use.

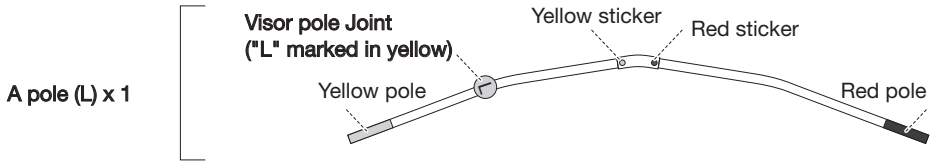
- 1 Spread out the main body on a flat area where the tent will be set up. When unfolded, the sleeve with the yellow tape should be positioned on the doorway side, and the sleeve with the red tape on the back side. At this time, spread it out so that the doorway panel, which is basically used as the main doorway, is downwind. If the doorway panel is upwind, wind and rain may enter the tent, or when the door is opened, the wind may suddenly enter and blow the tent away or damage it.
* Check that all the building tape buckles are connected. If they are not connected, be sure to connect them before setup.



- 2 Place the ridge pole with navy blue tips into the sleeve with navy blue tape.

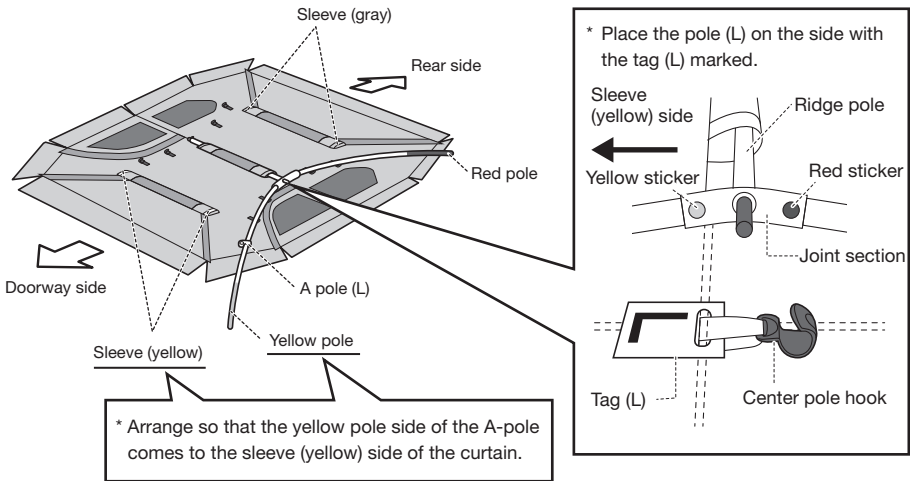


3 Prepare the A pole (L) with "L" marked on the visor pole joint.

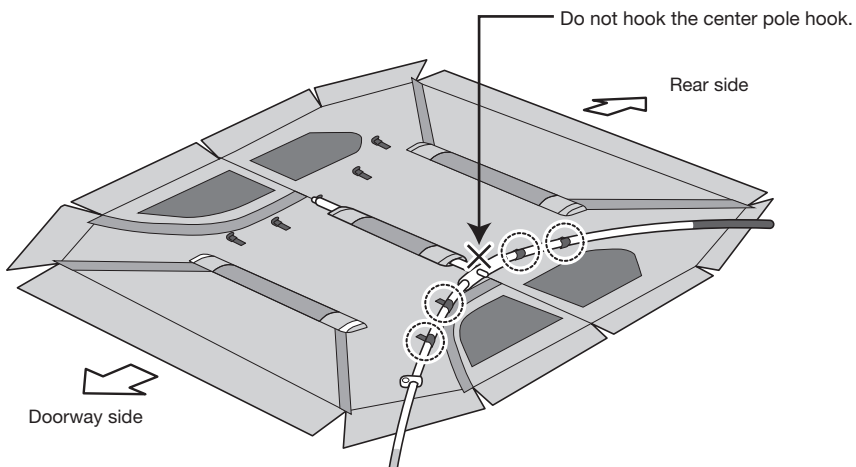


Next, place the A pole (L) in line with the tag (L) attached to the center pole hook near the edge of the ridge pole.

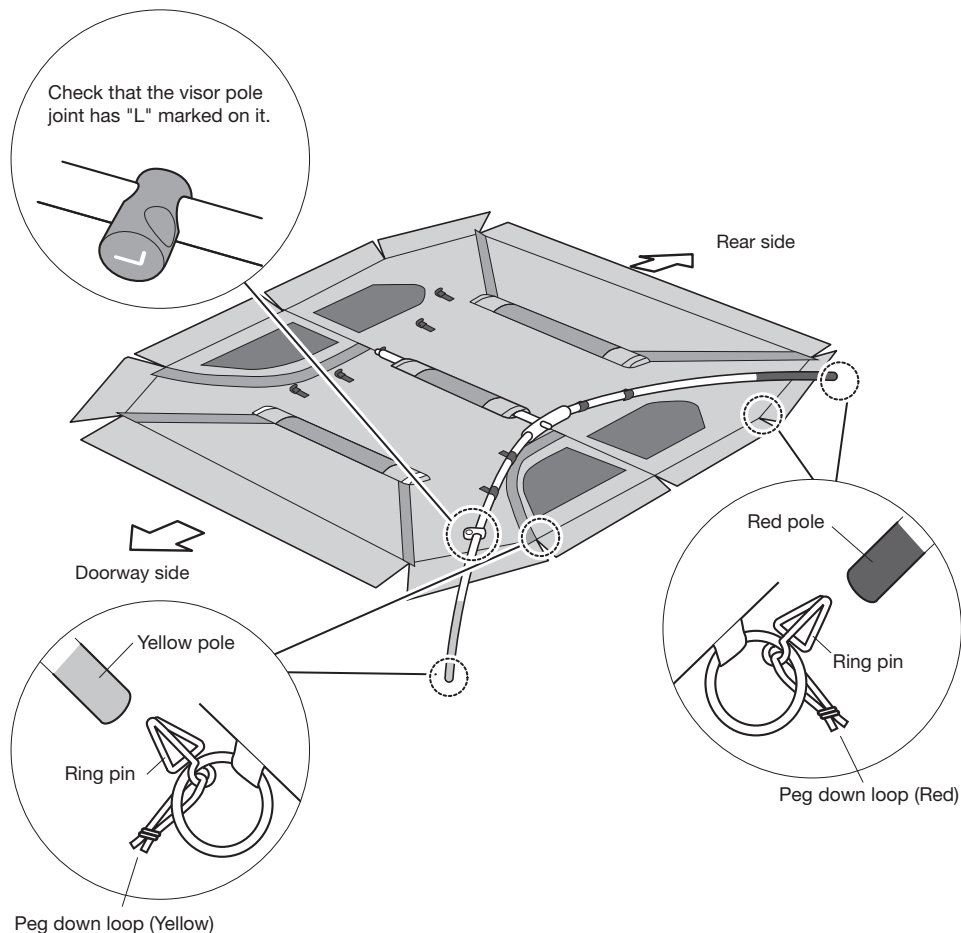
At this time, place the yellow and red stickers attached to the joint facing outward, matching the orientation of the yellow sticker and the sleeve (yellow). Then, insert the ridge pole into the joint.



- ④ Attach the four plastic hooks on the upper part of the A pole (two locations on the doorway side and two locations on the rear side) to the pole.
At this time, do not hook the center pole hook attached at the middle top. This hook will be used to be attached to the center pole.
* Be sure to perform this step because the pole may become deformed when you raise the product.



- 5 Hold the ring pin with the peg down loop (yellow) on the hem on the doorway side of the main body, and insert it into the A pole (pole with yellow tip). After that, hold the ring pin with the peg down loop (red) on the hem on the rear side, and insert it into the A pole (pole with red tip).

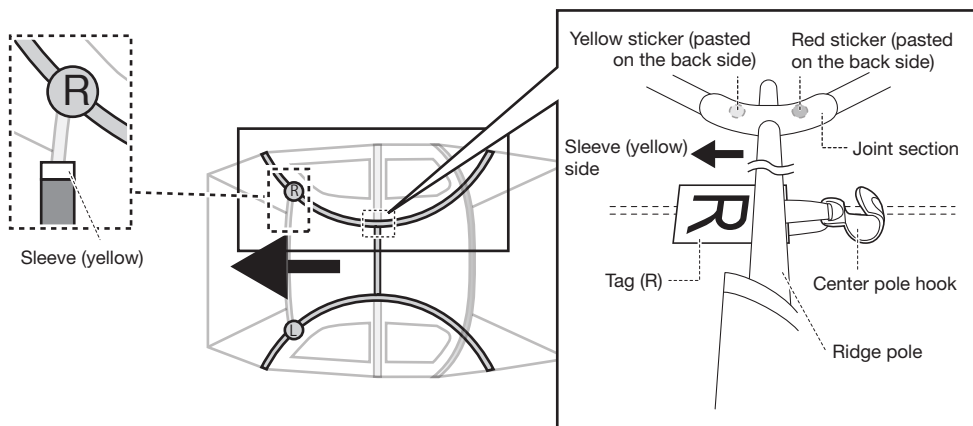


Note) When inserting the ring pin into the end of the A pole, hold the edge of the pole firmly so that it does not move, and insert it while being careful not to get your fingers pinched. If you lift the pole, additional weight will be placed on it, which may bend the end of the ridge pole. So do not lift the pole up.

- ⑥ Place the A pole (R) in line with the tag (R) attached to the center pole hook near the edge of the ridge pole on the opposite side.

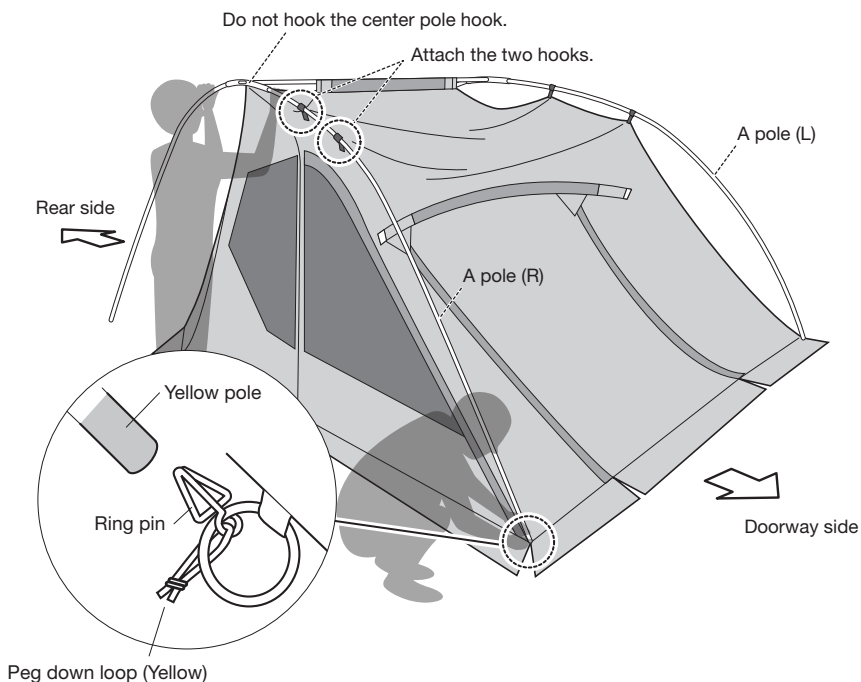
At this time, place the yellow and red stickers attached to the joint facing outward, matching the orientation of the yellow sticker and the sleeve (yellow). Then, insert the ridge pole into the joint.

* When connecting, check that the end of the ridge pole is firmly inserted all the way into the joint.



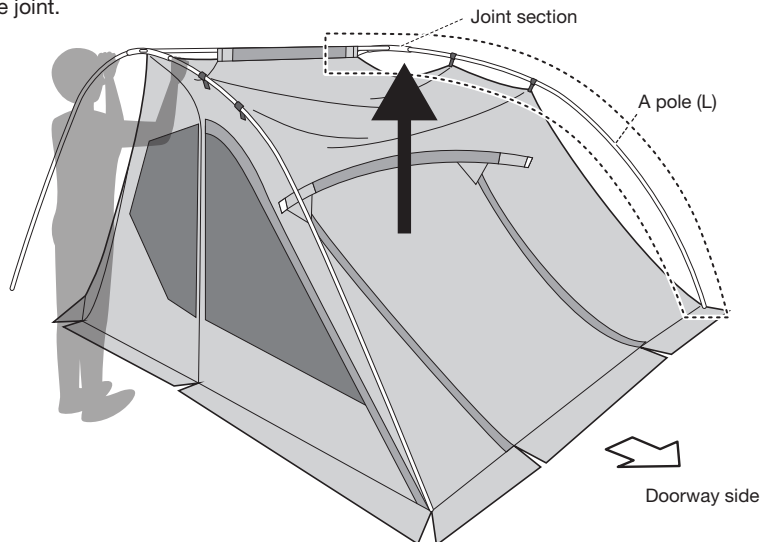
- ⑦ Have one person lift the intersection of the A pole (R) ridge pole and the A pole, and have another person grasp the two plastic hooks on the top of the doorway of the A pole and attach them to the poles. At this time, do not hook the center pole hook.

After that, hold the ring pin with the peg down loop (yellow) on the hem in the doorway side, and insert it into the A pole (yellow pole).



- 8 If the A pole (L) on the other side is not raised as shown in the figure below, have someone who is not holding the joint section of the A pole (R) and who has a hand free lift the joint of the A pole on the other side and raise the pole.

* At this time, open the zipper on the side door panel on the A pole (L) side to make it easier to lift the joint.

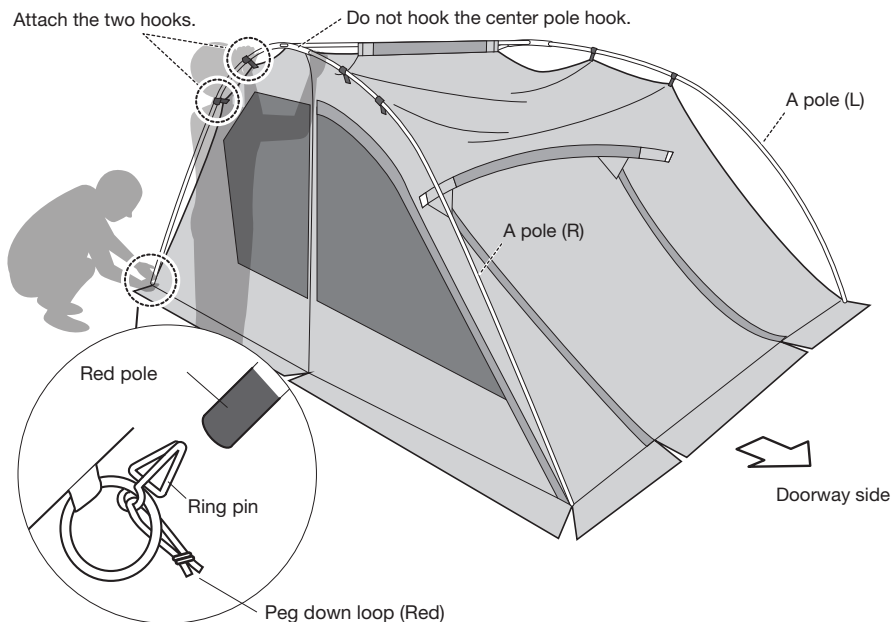


- 9 While lifting the intersection of the A pole (R) ridge pole and the A pole, attach the two hooks on the upper rear side of the A pole to the pole. At this time, do not hook the center pole hook. After that, hold the ring pin with the peg down loop (red) on the hem on the rear side, and insert it into the A pole (red pole).

* At this time, insert the pin into the pole while sliding the hook downward. If the pin is forcibly inserted into the pole, the pole will noticeably bend, which may damage the pole.

Attach the two hooks.

Do not hook the center pole hook.



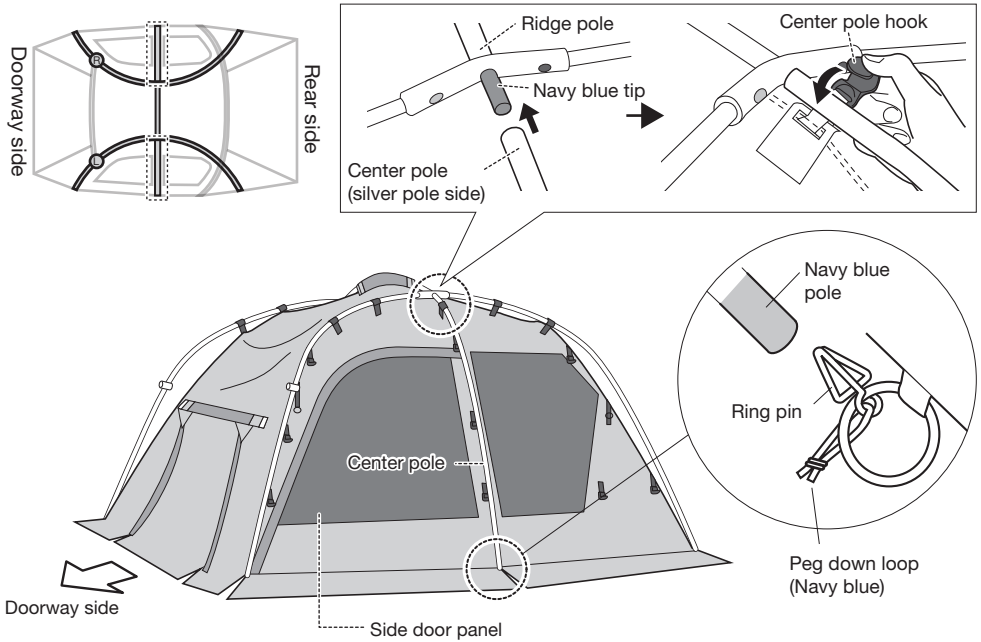
10 Firmly insert the center pole (silver pole side) until the tips (navy blue) of the ridge pole are no longer visible.

After that, hook the center pole hook of the fly sheet to the center pole.

* At this time, open the zipper on the side door panel to make it easier to hook the center pole hook.

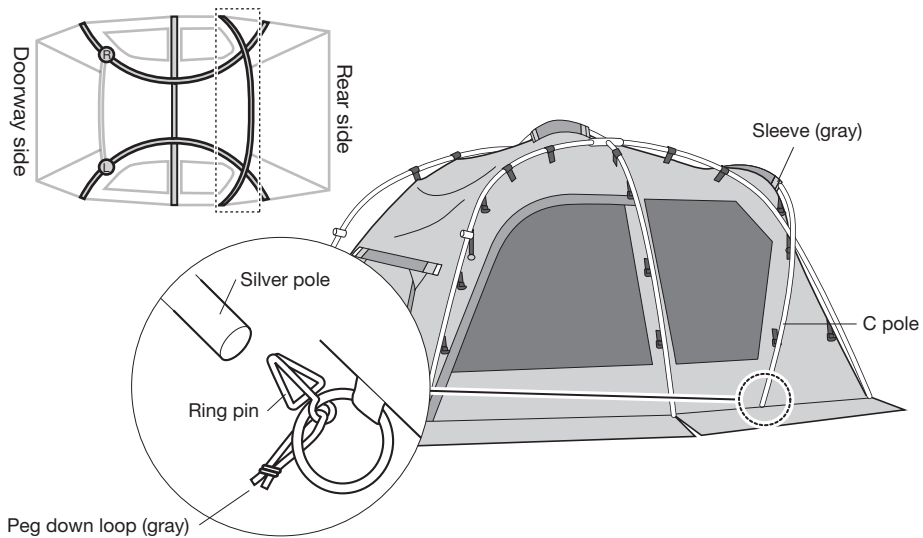
Next, hold the ring pin with the peg down loop (navy blue) on the hem of the main body, and insert it into the center pole (navy blue pole).

Perform the same procedure on the other side.

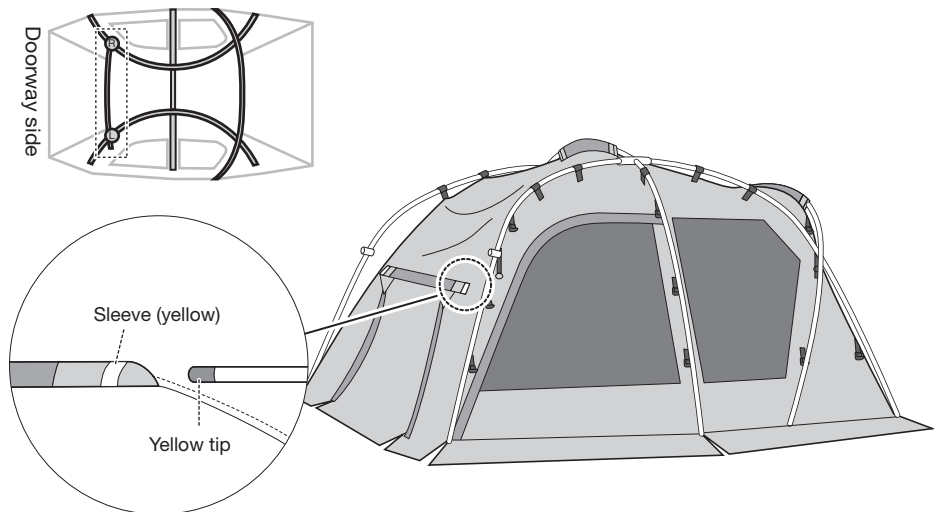


- 11 Join the C pole without a colored tip little by little, and thread it through the sleeve that has gray tape on the rear side. Next, insert the ring pin into the end of the C pole in the same way as for any other pole. Perform the same procedure on the other side.

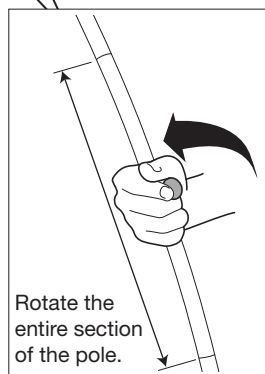
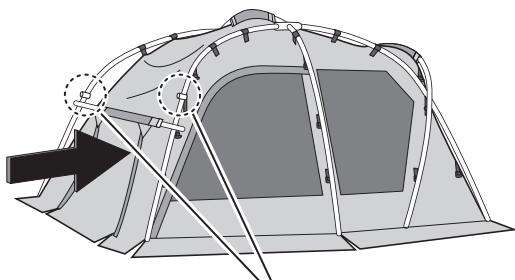
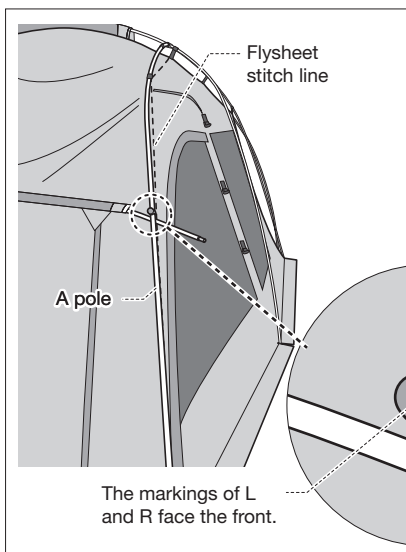
* Pass the C pole through the outside of the A pole.



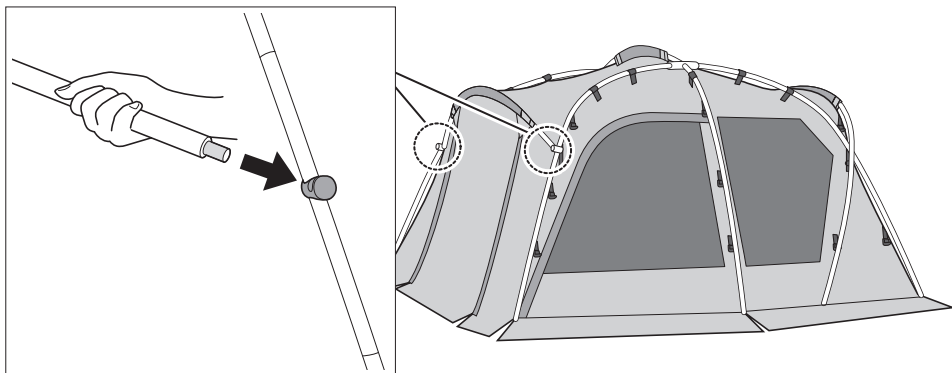
- 12 Join the visor pole, both tips of which are yellow, little by little, and thread it through the sleeve that has yellow tape on the doorway side.



- 13** Adjust so that the position of the L and R markings on the visor pole joint in the A pole face the front when viewed from the direction where the stitch lines of the A pole and flysheet overlap. If it is not facing the front, finely adjust the position while rotating each section of the A pole as shown in the lower right figure.

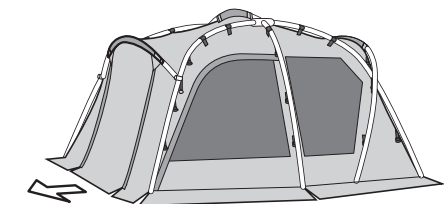


- 14** Hold the visor pole joint and insert it while finely adjusting the orientation of the pole joint part so that the insertion angle of the pole joint hole matches the end of the visor pole. Insert the joint on the other side in the same way. At this time, check that the end of the visor pole is fully inserted into the visor pole joint and that the visor pole is protruding outward.

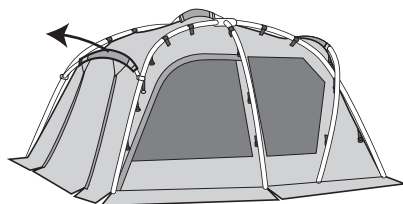


The visor pole should be protruding outward as shown in the figure below.

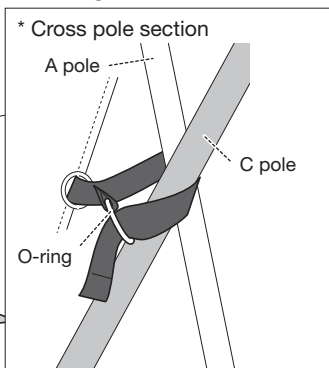
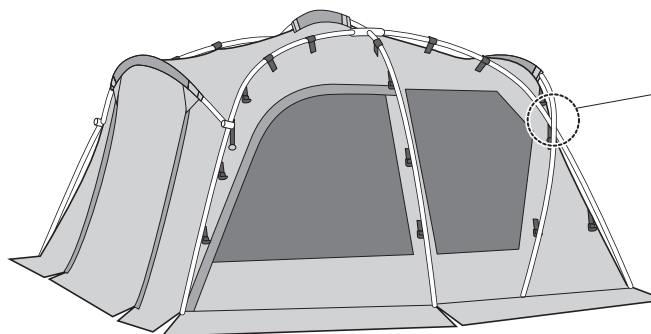
If the visor pole is tilted to the rear side as shown below, correct it.



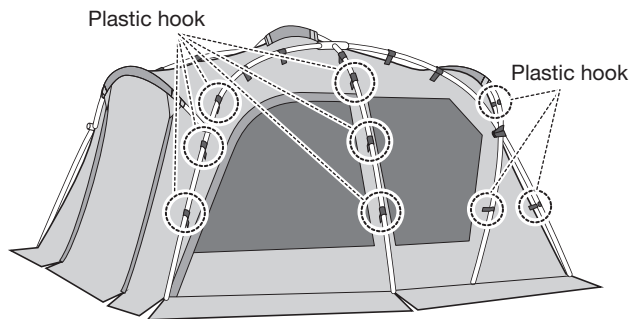
Doorway side



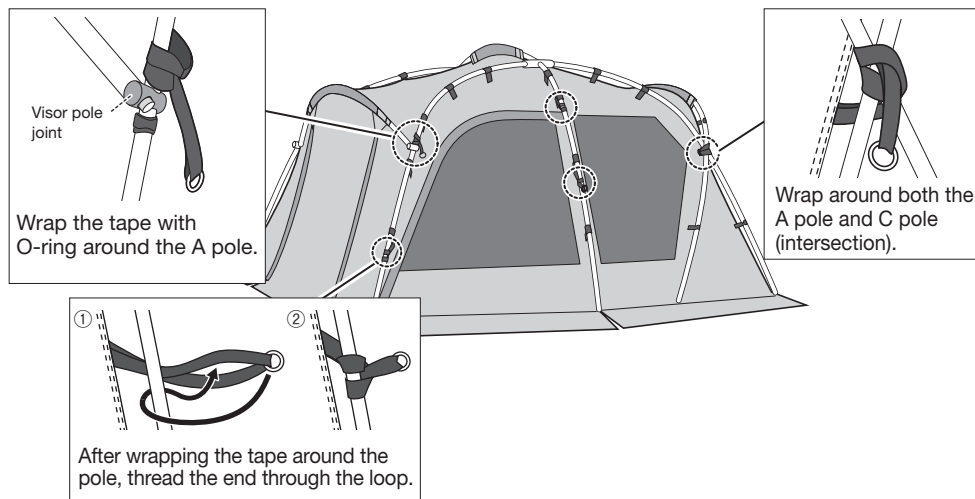
- 15** Secure the intersection of the A pole and C pole using the Velcro tape attached to the main body. At this time, pass the Velcro through them so that the two poles are bundled together.



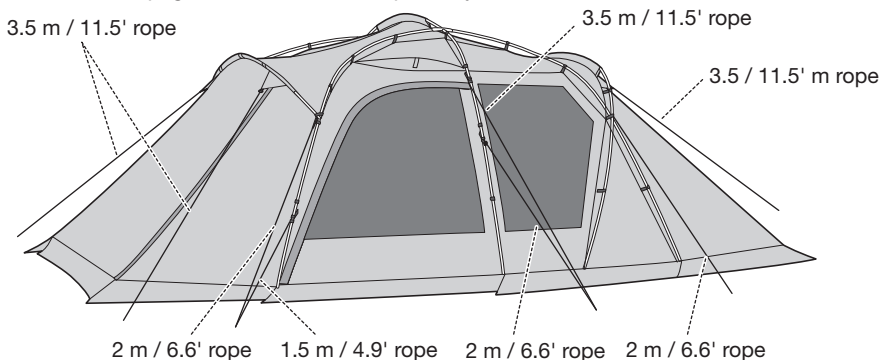
- 16 Hang all the plastic hooks on the A pole, center pole, C pole, and visor pole in order starting from the top to the bottom.



- 17 Wrap the tape with the O-ring of the visor pole joint or the intersection of the A pole and C pole around the poles as shown in the figure. In 17, attach the rope to this O-ring. (10 locations in total)



- 18 Pass the duralumin peg through the peg down loop attached to the ring pin on the hem as shown in the figure on page 29, [Rope with a rope tensioner, peg down position], and then peg them down. Also, peg down the attached rope firmly.

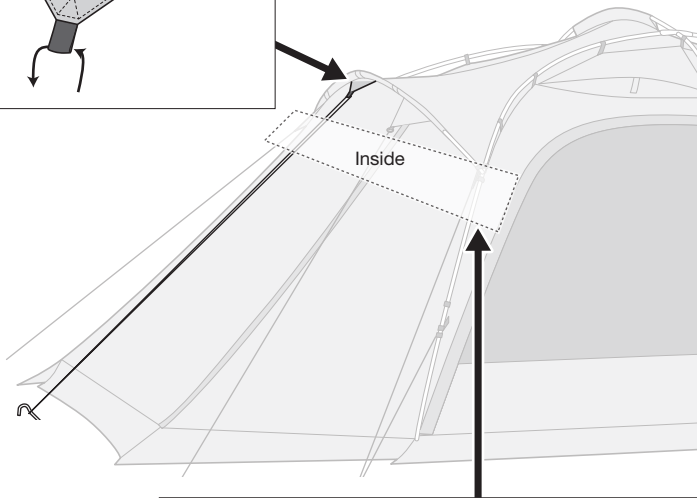
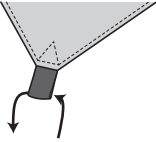


Dealing with bad weather

In the case of heavy rain or strong winds, take the following measures. If you feel threatened by the weather, disassemble the product immediately and evacuate to a safe place.

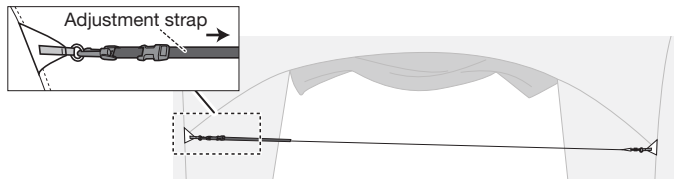
* Prepare additional ropes and pegs separately.

- A** Tie a rope to the tape attached to the center of the sleeve that the visor pole passes through, and peg down the rope on the doorway side with the center of the Tuga as the axis so as not to interfere with the doorway panel.



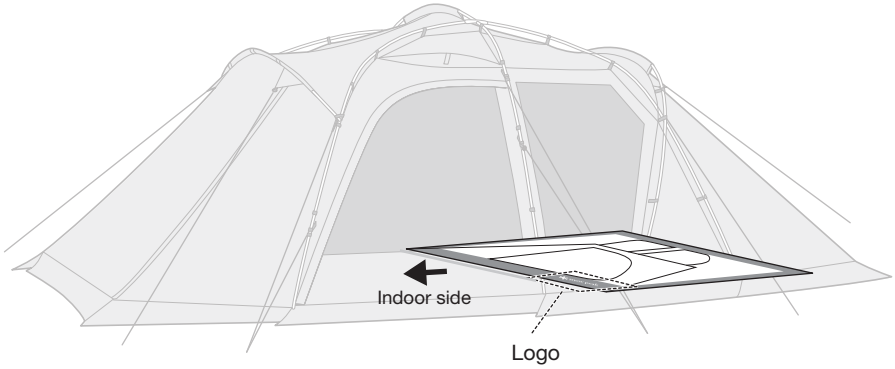
- B** If the wind is strong, attach the included safety belt to the back of the visor pole, and pull the adjustment strap to apply tension. Do not pull the tape excessively at this time. Otherwise, it may cause damage.
* This is only a supplementary measure. This will not withstand every kind of weather.

Use this only if you encounter temporary strong winds or if it is difficult to disassemble the product immediately.

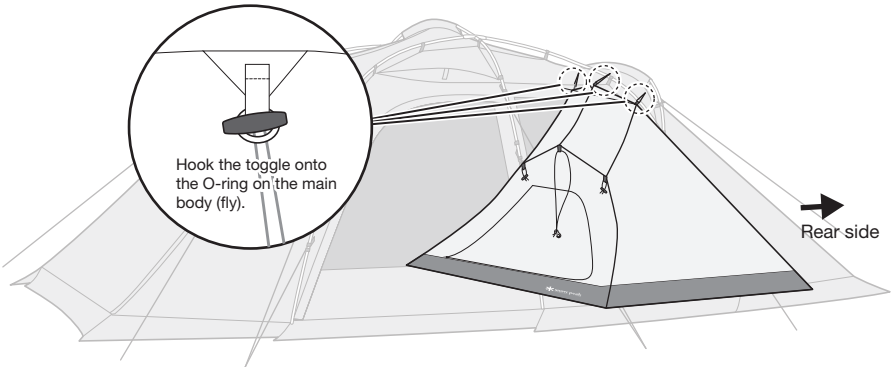


How to attach the inner room

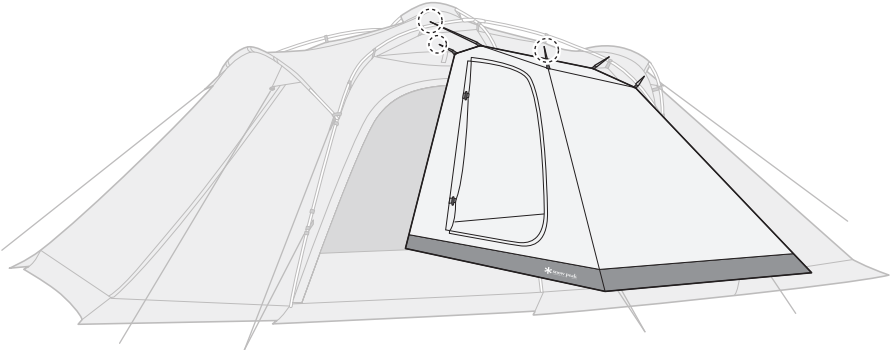
- 1 Spread the inner room and open the part where the logo is printed on the inside of the room.



- 2 Hook all three toggles on the back side of the upper part of the inner room onto the O-rings of the main body (fly).

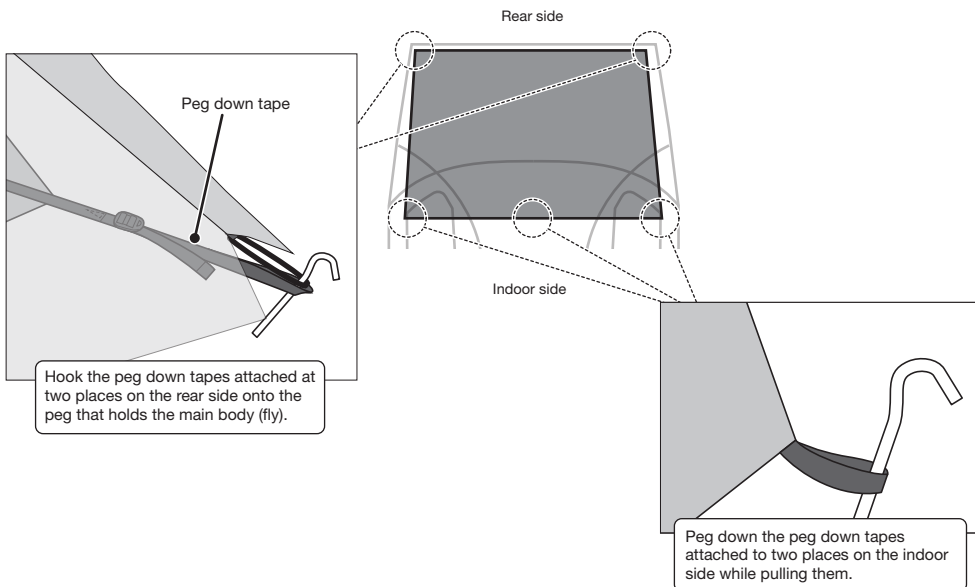


- 3 Hook the three S-hooks and toggles on the inside of the inner room onto the designated O-rings respectively as shown in the figure.



- ④ Hook the peg down tape attached to the bottom corner on the rear side onto the peg of the main body (fly).

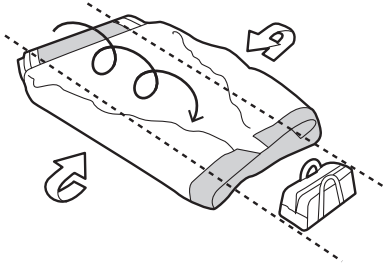
Peg down the peg down tapes attached to the bottom corner inside the room while pulling them. Finally, pull the adjustment strap of the peg down tape attached to the bottom corner on the rear side so that the bottom part can be stretched neatly.



Disassembly procedure This procedure should always be carried out by two or more people.

To disassemble, perform the setup procedure in reverse. Make sure there is nothing inside the inner room and the main body before starting disassembly. It will be easier to roll up if you leave the zipper on the doorway of the inner room slightly open.

- ① Check that nothing is left inside the inner room, remove all hooks and toggles from the inner room, and remove the inner room from the main body. At this time, if you open the zipper at the bottom of the door panel in the front and back of the inner room, it will be easier to let the trapped air out when folding.
- ② Pull all the pegs out of the ground, and use a rope to tie them all together.
- ③ Remove all the plastic hooks from the main body, and remove the poles in the reverse order of the setup procedure.
- ④ Fold the main body to fit the length of the carry bag, and put it inside the carry bag.



- ⑤ Put the poles and pegs in their respective dedicated cases, and store them in the carry bag. If you store them in an uncovered state, they may damage the fabric of the main body and the carry bag.

Precautions for Disassembly and Storage

- Please make sure that the product is sufficiently dry before storing it.
- If the wind is strong, wait for it to subside before disassembling the shelter.
- If you have attached an inner room, be sure to remove the inner room or any other products from the shelter before disassembling it.
- Please ensure nothing is inside the shelter and that all panels and windows are closed.
- Please ensure that all belts are connected before taking down the shelter. Connecting the belts makes it easier to peg down the shelter next time.
- Exercise care when removing the pole from the pins, as the pole may bounce back. Do not let go until the pole is straight.
- When removing the pole from the sleeve, be sure to push it out.
 - * If you pull the pole to take it out, the connecting part may come off inside the sleeve, which may damage the fabric.
- Always fold the pole from near the center each time. If the pole is folded from the edge, it may cause the shock cord inside the frame to stretch or break, or the frame to bend or break.
- Remove all pegs, clean them, and store them in the peg case with their heads facing down. Store all frames in the frame case. The frame should be stored with its head facing down in the frame case. If the frame is exposed, it may damage the fabric or the carry bag.

Regarding Condensation

Mist is a collection of water droplets suspended in the air that turns into condensation in rapidly falling temperatures. In smaller spaces such as the inside of a tent or shelter, water vapor concentration is higher than in an ordinary room and frequently results in more condensation. Depending on the surrounding conditions, it may be impossible to avoid condensation completely, even with waterproof materials. To reduce condensation, allow steady ventilation while the tent is in use.

Water-Repellent and Waterproof Functions

- The fabric of the shelter is treated with a high-quality, water-repellent finish. However, the level of water-repellent capacity and durability may vary slightly due to the characteristics of each material. The water-repellent finish will lose effectiveness after repeated use. When the water repellence decreases, please use a water-repellent spray purchased from your local outdoor gear retailer. When using such sprays, please follow the product's instructions.
- Although this product is made of highly waterproof fabric, rainwater may soak into it if it is in contact with water pools on the ground for a long time.
- The PU coating may be damaged by agricultural chemicals, which cause the water pressure resistance to decrease abnormally. Please note that the product cannot be subject to warranty if damaged by agricultural chemicals.
- The logo may peel off due to the effect of the water repellent agent.

Regarding the Effect of Ultraviolet Rays

- A UV protection treatment has been applied to the material of the shelter.
 - * The UV protection treatment does not completely shield humans from ultraviolet rays or stop the deterioration of the material's strength.
- When the tent material is exposed to sunlight for long periods, color degradation or strength deterioration may occur. Do not leave the product assembled permanently.
- If the material deteriorates due to ultraviolet rays and is badly damaged, it may become irreparable.

Maintenance & Storage

- When using a product that has been in storage for a long time, carefully check each part. If you have any questions, please contact Snow Peak Customer Service.
- A polyester fabric blend is used for this product. Considering the material characteristics, we adopted processing and color patterns that will result in less color migration. However, depending on storage conditions, slight color migration may occur. Do not store the product while it is wet.
- Before storage, the product should be cleaned and dried sufficiently. If the product is stored when wet, the build-up of mold, bad odors, color migration, and material deterioration will occur. Dry the product sufficiently in a breezy and shaded area and clean the surface with a soft brush before storing.
- Clean and dry the surface of the poles before storing. If stored when wet, corrosion may occur, resulting in strength deterioration. Keep the joints clean and apply a small amount of silicone lubricant; applying an excessive amount of lubricant will stain the cloth. Ensure that the cords inside the poles are not pulled unnecessarily.
- When storing the poles, please fold them from the center outwards.
- Please store in a well-ventilated area away from direct sunlight, high temperatures, and humidity.
- Using the zipper when it is covered with mud, sand or dust may cause wear or damage. Clean the zipper with a brush before use. Apply small amounts of silicone lubricant to the zipper regularly to ensure smooth movement. Do not apply excessive amounts of lubricant as it will leave stains on the cloth.
- Small areas of fabric damage can be fixed with repair tape. Please read the repair tape manual carefully before applying.
- Depending on the conditions during use, the tent material may deteriorate over a wide area, losing its durability and becoming irreparable.
- Seam tape is pressure-capped at a temperature setting that prevents damage to the PU coating. However, it may peel off as it is used repeatedly. If peeling is found, set an iron at a low temperature and reattach only the peeling sections. Be aware that excessive heat will discolor or accelerate the deterioration of the fabric. If the PU coating peels off completely, it may be impossible to repair.
- Sap cannot be easily removed. Do not set up this product under trees that frequently drop sap. If the sap is forcibly removed with a solvent, etc., the fabric or coating may be damaged.
- To maximize the longevity of this product, regularly check and maintain the product (including all accessories such as the pegs).

Quality assurance

The specifications of Snow Peak products are determined based on field testing and quality control, ensuring every product's proper function and longevity. If apparent defects in the product's manufacturing are found, the defective product will be repaired or exchanged free of charge. Damages, as follows, are not covered under warranty.

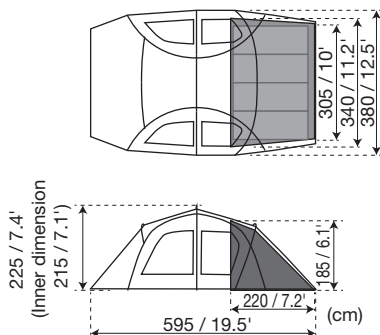
1. Damage caused by normal aging of materials.
2. Damage caused by modifications or rough handling.
3. Failure due to improper handling described in this manual.
4. Damage caused by unforeseen accidents.
5. Damage not caused by defects in the manufacturing process.
6. Damage caused by dust or rust.
7. Damage or defects caused when dismantling the products.
8. Damage and defects caused by dropping or other shocks to the products.
9. Defects, breakage, or deterioration of replaceable parts.
10. Damage caused by the use of the product in combination with other maker's products.

Regarding Repair

- If a professional repair is necessary, please contact the dealer where the product was sold or Snow Peak Customer Service.
- Please dry and clean the product before sending it for repair.
- Please stick a memo onto the damaged area of the product. In the memo, include details explaining the circumstances that led to the damage.
- The cost of repair will be determined as follows:
 1. If the damage is subject to warranty, Snow will cover transportation cost (both ways) and repair cost Peak.
 2. If the damage is not subject to warranty, transportation cost (both ways) and repair cost will be covered by the customer.

Specifications

- Set contents: Main body, Inner Room, Ridge pole, A pole (x2), Center pole (x2), C pole, visor pole, Duralumin Peg (x25), Rope with Rope Tensioner (3.5 m / 11.5'x6, 2 m / 6.6'x6, 1.5 m / 4.9'x2), Safety belt, Carry bag, Pole case, Peg case
- Materials: Main body roof / 75D Polyester Taffeta, Shield pigment PU coating Waterproof rating: 3,000mm minimum, UV protection treatment, Teflon water-repellent finish, Main body wall / 75D Polyester Taffeta, PU coating Waterproof rating: 1,800mm minimum, UV protection treatment, Teflon water-repellent finish, Inner wall / 68D Polyester Taffeta, Bottom / 210D Polyester Oxford, PU coating Waterproof rating: 1,800mm minimum
- Carry bag size: 75 x 32 x 35 (h) cm / 29.5" x 12.6" x 14" (h)
- Weight: 18.3 kg / 40.3 lbs



If you have any questions or concerns, please contact your retailer or Snow Peak customer service.

Snow Peak  **+1(503)461-0781** (9:00-17:00)
Customer Service Email: info@snowpeak.com

Snow Peak USA, Inc.

404 NW 23rd Avenue, Portland, Oregon 97210, USA
 Tel. +1 (503) 461-0781 / Instagram. @snowpeakusa
 Email. info@snowpeak.com / www.snowpeak.com

MADE IN CHINA