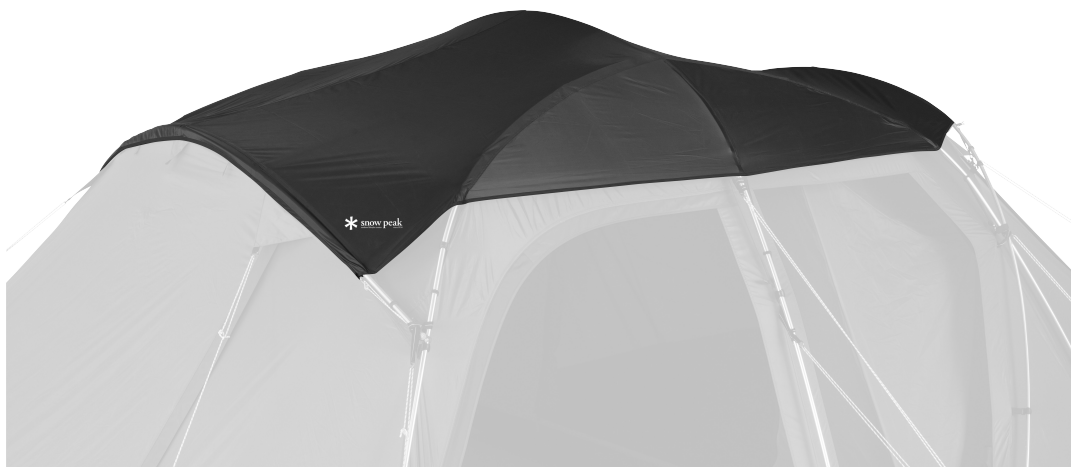


Instruction Manual Ver 1.00

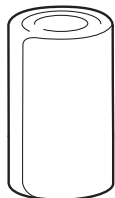
TP-690SR

Tuga Shield roof



Thank you for purchasing a Snow Peak product. This is a shield roof for TP-690 Tuga. To ensure safety, read this instruction manual before use. After reading this manual, keep it in a safe place for future reference. Finally, if you find anything that you do not understand in this manual or if you experience any problems with this product, please stop using the product immediately and contact the retailer or Snow Peak Customer Service.

Contents



Shield roof

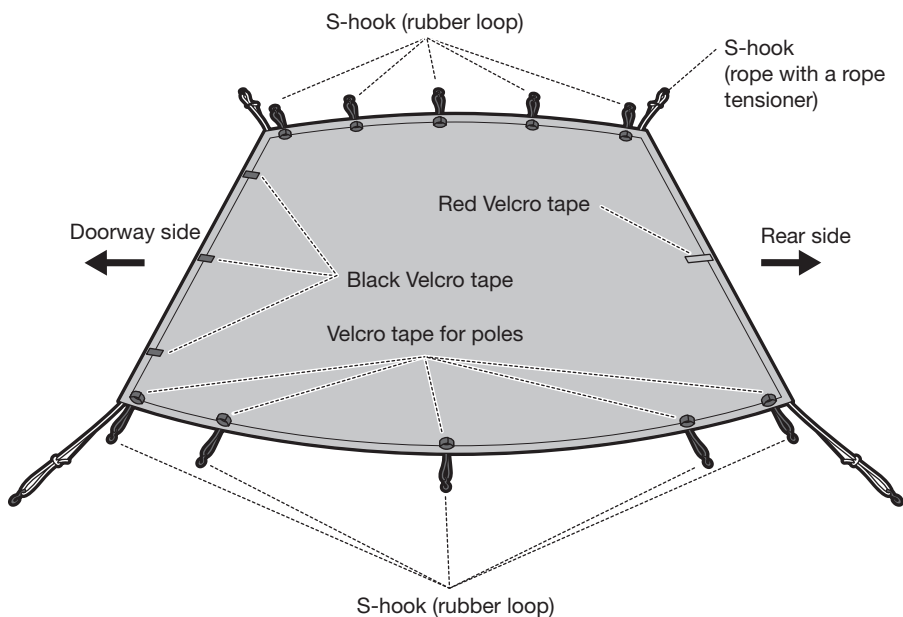



Storage case



Instruction manual (this document)

Name of the Parts



 **DANGER** Misuse could easily result in a serious accident or death.

- The material of this shield roof is not flame-proof. Do not use combustion-based heat sources such as lanterns, stoves or heaters, or open flames such as matches, candles, lighters or cigarettes, near the shield roof. The use of such heat or light sources inside a small enclosed space is very dangerous and may result in fire.
- Do not keep fuel, or flammable items for replenishing the fuel, near the shield roof.

 **WARNING** Misuse could result in serious injury or death.

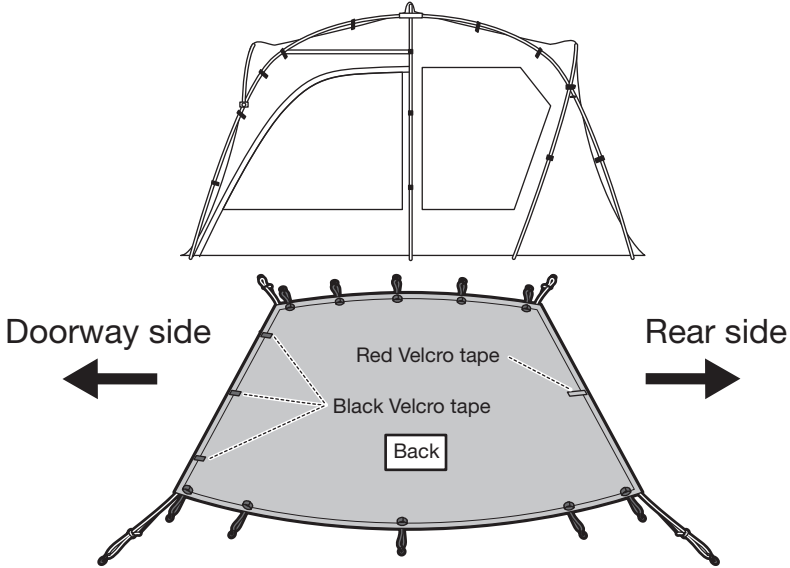
- Pay close attention to the weather. If extreme weather is in the forecast, pack up camp and evacuate to a safe place.
- Do not bring heated items into the shelter when they are at high temperatures. The temperature inside the shelter will be high during warm weather, and there is a risk of heatstroke. Pay close attention to the temperature, particularly when children are asleep inside the shelter.
- Choose a flat, well-drained area with firm ground to pitch the shelter. Choose an area where there is no chance of avalanches, landslides, wind gusts, or sudden flooding.

 **CAUTION** Misuse could result in injury to the user and/or damage to property.

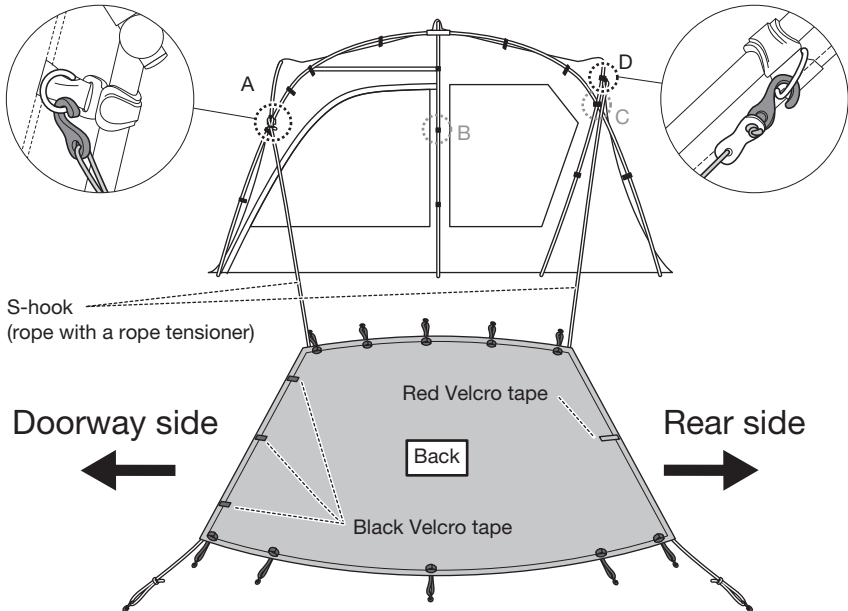
- Sunlight can cause the surface of the shield roof to heat up, potentially causing low-temperature burns.
- Do not assemble or use the shelter close to a bonfire, fireworks, etc. Flying sparks can create holes in the fabric.
- Firmly hold the shelter when assembling and disassembling. Unexpected accidents may occur due to the pole ends recoiling, etc., so ensure that the surroundings are safe, with no other people in the vicinity.
- Firmly secure the pegs, guy lines, etc.
- If the product is left in the sun for long periods, the materials may fade in color, or the fabric may deteriorate and lose strength. Do not leave the shelter set up permanently.

Attaching the shield roof This procedure should always be carried out by two or more people.

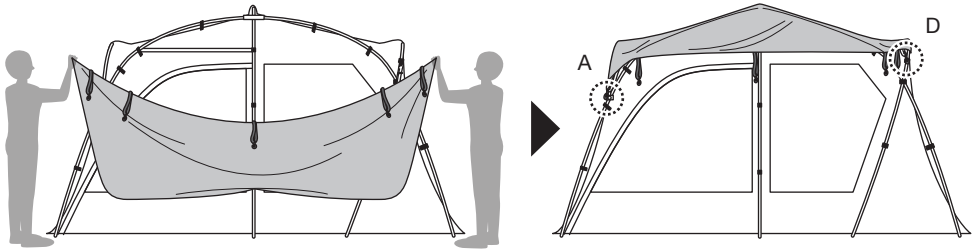
- 1 Spread the shield roof out in front of the shelter so that the back (the inner side without the printed logo) is facing up.
As shown below, spread out the shield roof so that the black Velcro tape is on the doorway side.



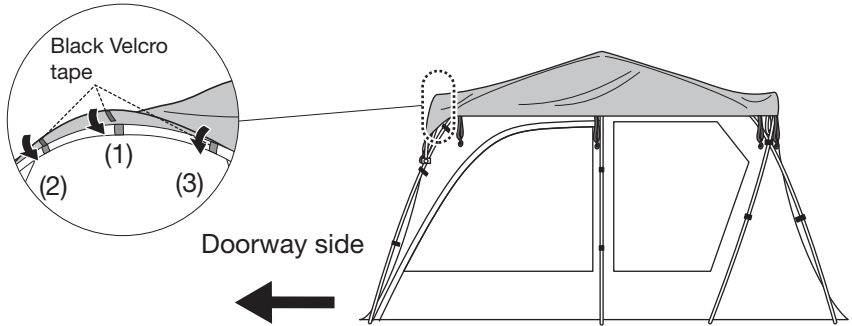
- 2 Connect the S-hooks (rope with a rope tensioner) shown below on the back side to the O-rings attached to the A and D tapes of the Tuga.
* At this time, it will be easier to attach the shield roof if you remove the peg down loops on the four corners of the Tuga body.



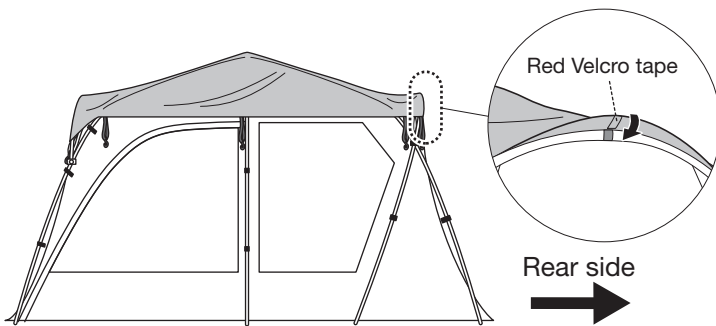
- ③ While turning the shield roof inside out, put it over the Tuga body.
At this time, be careful to ensure that the "A" and "D" S-hooks do not come off.



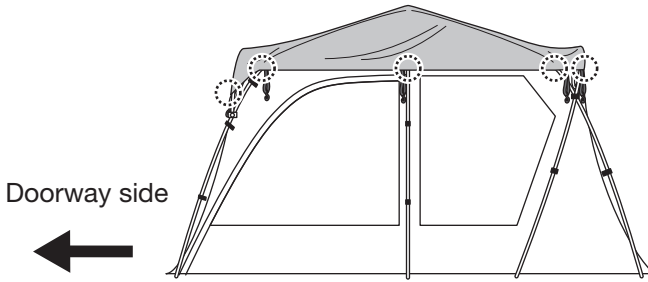
- ④ Attach the black Velcro tape (male) of the shield roof on the doorway side to the central Velcro tape (female) on the sleeve of the Tuga's visor pole on three locations.



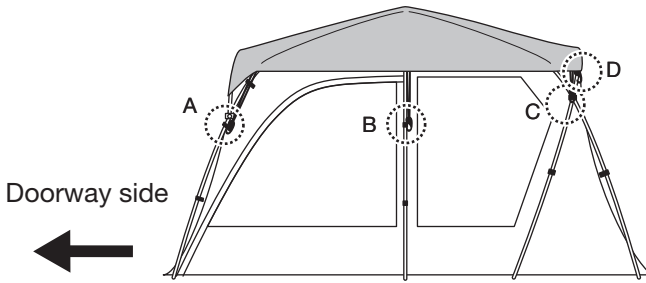
- ⑤ Attach the red Velcro tape (male) on the rear side shield roof to the central Velcro tape (female) on the sleeve of the Tuga's C pole at only one location.



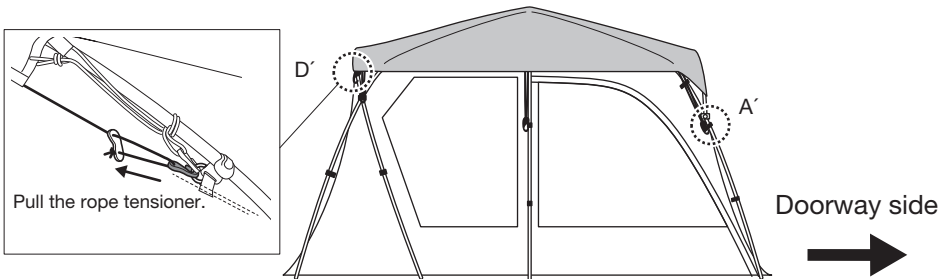
- ⑥ After that, wrap the Velcro tape for poles of the shield roof around the corresponding pole. Wrap the Velcro tape for poles on the other side in the same way. (Ten locations in total)



- ⑦ Hook the S-hooks (rubber loops) at "A", "B", "C", and "D" onto the corresponding O-rings. Hook the hooks on the other side in the same way. (Eight locations in total)



- ⑧ Connect the S-hook (rope with a rope tensioner) on the opposite side of the S-hook attached in step ② to O-rings "A" and "D" on the opposite side of "A" and "D". After connecting them, pull the rope tensioner to the shield roof side to apply tension.



Maintenance & storage

- A polyester fabric blend is used for this product. Considering the material characteristics, we adopted processing and color patterns that will result in less color migration. However, depending on storage conditions, slight color migration may occur. Do not store the product while it is wet.
- Clean and dry the surface of the product before storing. Before storing, the product should be cleaned and dried. If the product is stored while wet, build-up of mold, bad odors, color migration, and material deterioration will occur. Dry the product sufficiently in a breezy, shaded area and clean the surface using a soft brush before storing.
- Please store in a well-ventilated area away from direct sunlight, high temperatures, and humidity.
- Depending on the conditions during use, the tent material may deteriorate over a wide area, losing its durability, and become irreparable.
- Seam tape is pressure-capped at a temperature setting that prevents the PU coating from being damaged. However, it may peel off as it is used repeatedly. If peeling is discovered, use an iron at a low temperature and reattach the peeling sections only. Be aware that excessive heat will discolor or accelerate the deterioration of the fabric. If the PU coating peels off completely, it may not be possible to repair.
- Sap cannot be easily removed. Do not set up this product under trees that frequently drop sap. If the sap is forcibly removed using a solvent, etc., the fabric or coating may be damaged.
- When using the product after not using it for a long period of time, inspect it and make sure that there are no abnormalities in each part. If you find any abnormalities, stop using the product immediately and contact the retailer where you purchased the product or Snow Peak Customer Service for inspection or repairs.

Warranty

Snow Peak has taken all possible measures to ensure every product is durable and functions correctly. If you find any product defects, please contact the retailer where you purchased the product or Snow Peak Customer Service. If there are apparent defects in the product's manufacturing, the defective product will be repaired or exchanged free of charge. In other cases, Snow Peak will repair the product for an appropriate fee. The decision to repair or replace the product will be at our discretion. Snow Peak will not repair the product for any damage that occurred due to the following:

1. Material deterioration caused by age
2. Damage caused by modifications or rough handling
3. Damage caused by inappropriate use not mentioned in the instruction manual
4. Damage caused by unexpected accidents
5. Any damage other than defects in the manufacturing process
6. Damage caused by dust or rust
7. Damage and defects caused by dismantling the product
8. Damage and defects caused by dropping, jolting or other shocks
9. Deterioration or failure of parts due to friction
10. Damage caused by the use of the product in combination with another manufacturer's products

Repair

- If professional repairs are required, please contact the retailer where you purchased the product or Snow Peak Customer Service.
- When you request repairs, please make sure that the product is dry and clean.
- Please attach a memo or a tag indicating the necessary repair and please write details of how and when the damage occurred.
- Transportation and repair costs are determined as follows.
 1. Within warranty: The transportation cost (both ways) and repair cost will be covered by Snow Peak.
 2. Outside warranty: The transportation cost (both ways) and repair cost will be covered by the customer.

Specifications

- Set contents: Shield roof, storage case
- Materials: 75D Polyester Taffeta, Shield pigment PU coating Waterproof rating: 3,000 mm minimum, Teflon water-repellent finish, UV protection treatment
- Storage size: 60 x 25 x 8 cm / 23.6" x 9.8" x 3.1"
- Weight: 1.1 kg / 2.4 lbs

If you have any questions or concerns, please contact your retailer or Snow Peak customer service.

Snow Peak  **+1(503)461-0781** (9:00-17:00)
Customer Service Email: info@snowpeak.com

Snow Peak USA, Inc.

404 NW 23rd Avenue, Portland, Oregon 97210, USA

Tel. +1 (503) 461-0781 / Instagram. @snowpeakusa

Email. info@snowpeak.com / www.snowpeak.com

MADE IN CHINA