

Instruction Manual Ver 1.00

TP-623-IV

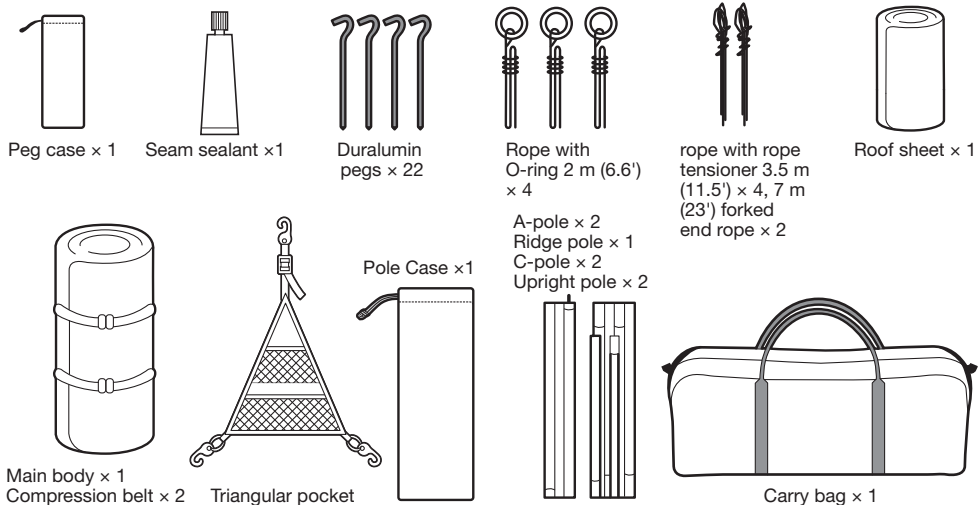
Living Shell in Ivory



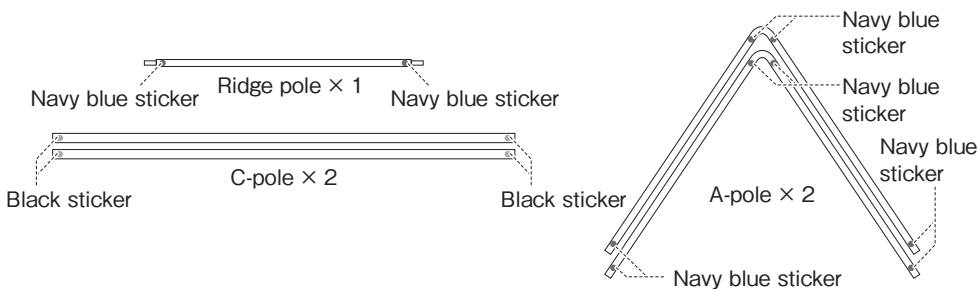
Thank you for purchasing this Snow Peak Product. This product is a shelter designed for camping. In order to ensure your safety when using this product, please read these instructions carefully before use. Please be sure to keep this document for future reference. If you find anything in the instruction manual that is difficult to understand, or if you find any product defects, stop using it immediately and contact the dealer where you purchased the product, or Snow Peak Customer Service.

Contents

The set contents are based on setup in general conditions. If you bring sturdy and long pegs and ropes, you can adjust to various weather conditions. Pegs and ropes are essential items, so it is recommended to always carry a spare.



Pole configuration



⚠ DANGER: Misuse could easily result in a serious accident or death.

- Do not use combustion-based heat sources such as lanterns, stoves or heaters, or open flames such as matches, candles, lighters or cigarettes, inside the shelter. The use of such heat or light sources inside a small enclosed space is very dangerous and may result in fire, oxygen deficiency, or carbon monoxide poisoning.
- Do not keep fuel, or flammable items for replenishing the fuel, inside the shelter.

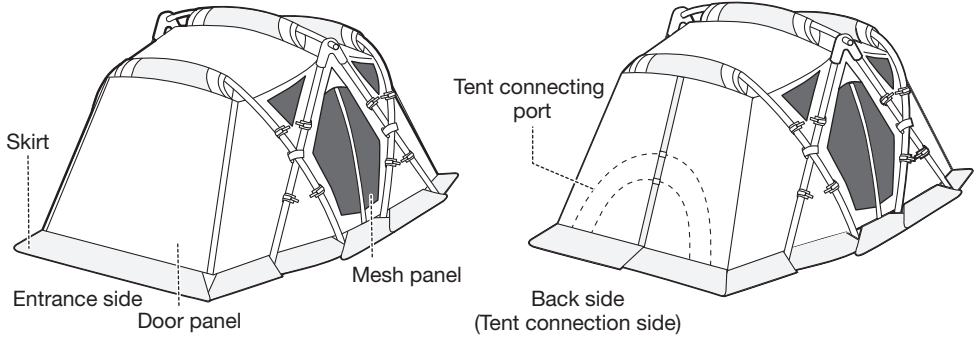
⚠ WARNING: Misuse could result in serious injury or death.

- Pay close attention to the weather. If extreme weather is in the forecast, pack up camp and evacuate to a safe place.
- Do not bring hot or heat-producing items into the shelter. If the inside of the shelter becomes very hot, heatstroke or fire may result.
- Inside the shelter, very high temperatures may cause heatstroke. Pay close attention to the temperature, particularly when children are asleep inside the shelter.
- Choose a flat, well-drained area with firm ground to pitch the shelter. Choose an area where there is no chance of avalanches, landslides, wind gusts, or sudden flooding.

⚠ CAUTION: Misuse could result in injury to the user and/or damage to property.

- This product is not intended to be in permanent use. If the shelter is left in the sun for long periods, the materials may fade in color or the fabric may deteriorate and lose strength. Do not leave the shelter set up permanently.
- Sunlight can cause the surface of the shelter to heat up, potentially causing low-temperature burns.
- Do not assemble or use the shelter close to a bonfire, fireworks, etc. Flying sparks can create holes in the fabric.
- Sap cannot be easily removed once it adheres to the shelter fabric. Do not set up this product under trees that frequently drop sap.
The fabric or coating may be damaged if the sap is forcibly removed using an organic solvent such as a thinner, benzene, etc.
- When assembling and disassembling the shelter, firmly hold the fabric and frame so that the shelter does not get blown away if it is windy. Unexpected accidents may occur due to the pole ends recoiling, etc., so verify the safety of the surroundings.
- Secure the tent using pegs and ropes.
- This product is made of a thin fabric, so it may break if you pull the fabric excessively.
- Please pay attention to the building tape, rope, pegs, etc. around your feet. If you are not careful, you may trip and fall, which may result in an unexpected accident or injury.
- The inner room has a loop for hanging small items. Please only hang items that weigh less than 1 kg (2.2 lbs).

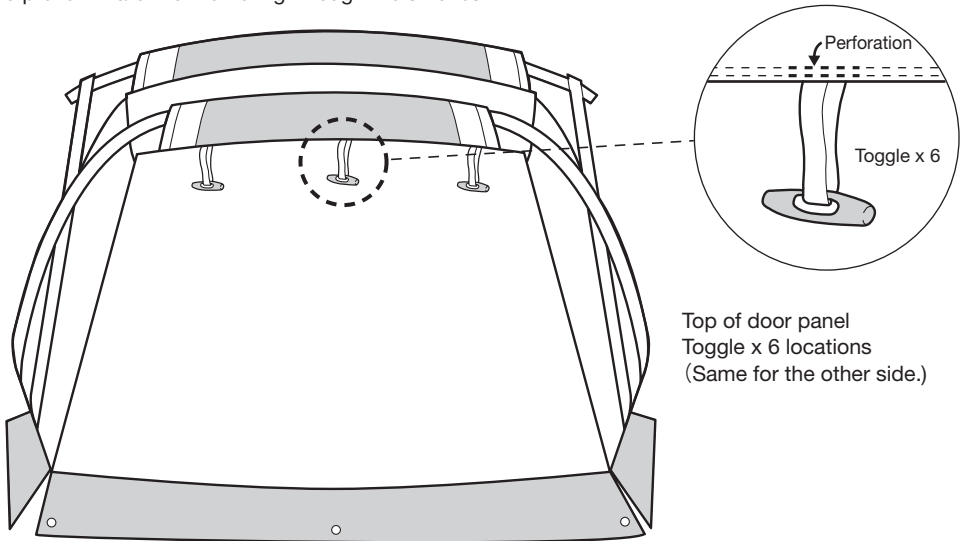
Name of the Parts



Preparations Before Use

Sealing with seam sealant

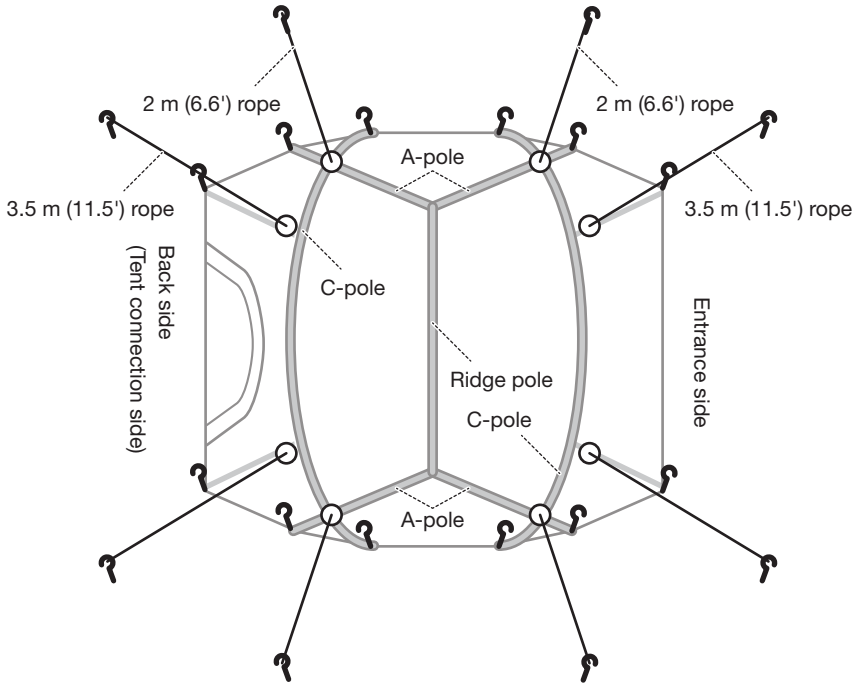
Apply the seam sealant to the perforations that hold the loops and toggles together from the outside to prevent water from entering through the stitches.



The figure shows the entrance of Living Shell.

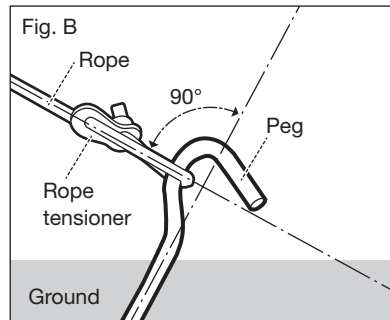
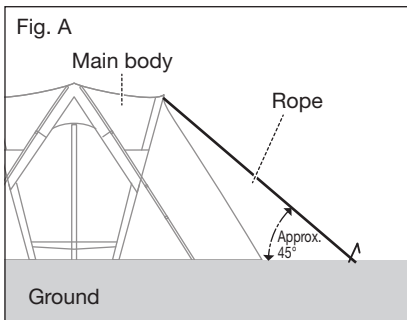
Rope with rope tensioner, peg down position

Secure and peg down the tension ropes as shown below.



The ideal position to insert the peg is the place where the rope is at an angle of 45° to the ground when set up. [Fig. A]

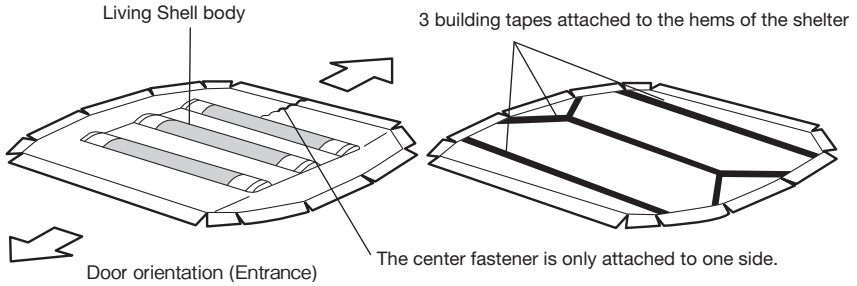
Insert the peg at an angle of 90° to the rope. [Fig. B]



Set-up Procedure: Make sure that two or more people take part in the set-up for safety.

Please practice shelter setup and disassembly repeatedly according to the following explanation to prepare for use when camping. Make sure that you have all the accessories in advance. Inappropriate setup or disassembly may damage the shelter or poles, or lead to an accident. Please read this manual carefully before use.

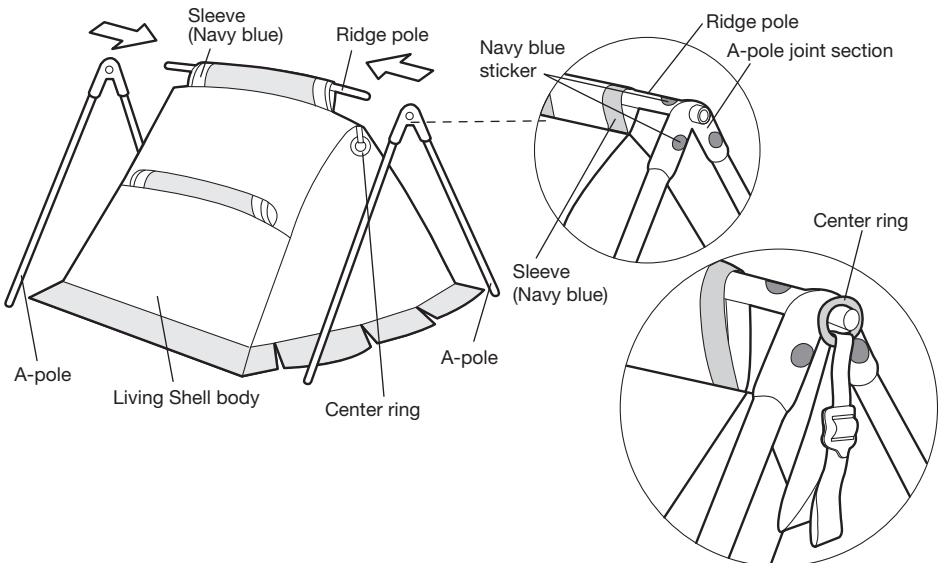
- 1 Unfold the main body on a flat surface to set up the product. When doing so, determine the orientation of the tent by taking the orientation of the door panel and the tent connection port into account.



- 2 Insert the ridge pole with the navy blue sticker into the sleeve with the navy blue tape. Then, insert the ridge pole so that the two navy blue stickers on the A-pole joint section face outward. Make sure that the tip of the ridge pole is fully inserted into the A-pole joint section, and then push the center ring all the way in to hook it.

When doing so, leave the tape on the center ring loose without applying tension. Next, insert the ridge pole into the A-pole on the opposite side.

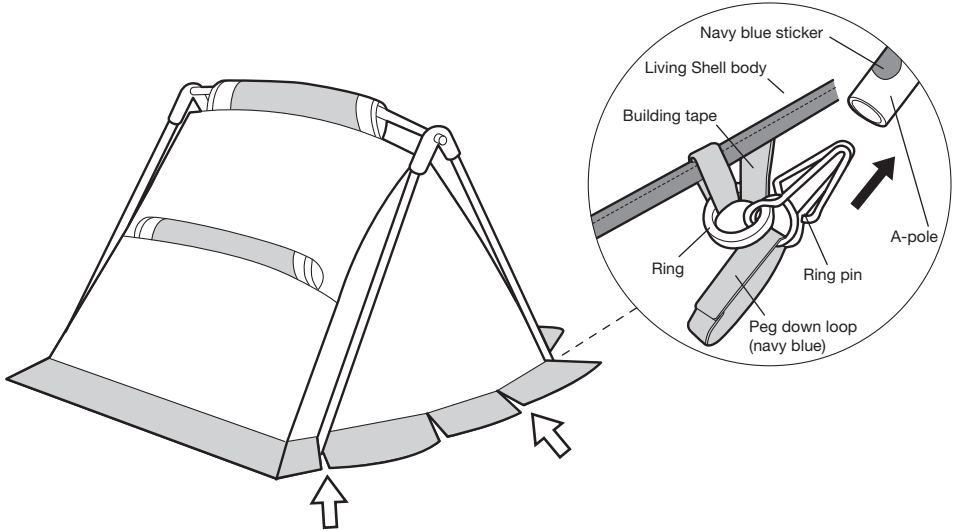
Note) Hook the center ring to half the height rather than inserting the ridge pole with the A-pole fully extended, and then connect the entire A-pole. In order to prevent the A-pole, ridge pole, or A-pole joint section from bending or breaking, lift the frame so that the load is applied diagonally. Then, being especially careful not to be blown away by strong winds, set it up after the wind subsides.



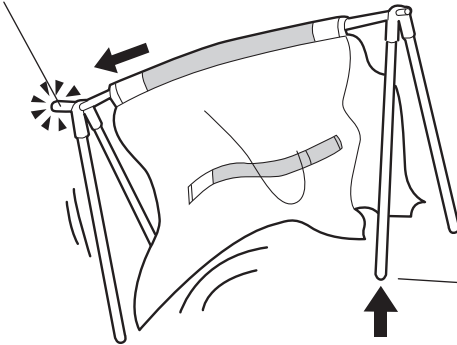
3 Hold the peg down loop (navy blue) of the ring pin at the bottom of the main body, and insert it into the A-pole.

Then, adjust the tension of the center ring tape on both sides.

Note) When inserting the ring pin into the edge of the A-shape frame, hold the edge of the frame firmly so that it does not move, and insert it while being careful not to pinch your fingers. If the frame is lifted, the load is applied to the opposite side, which may cause the tip of the ridge pole to bend. It is better to lift in a rotational orientation so that the ridge pole and the A-shape frame joint rotate.

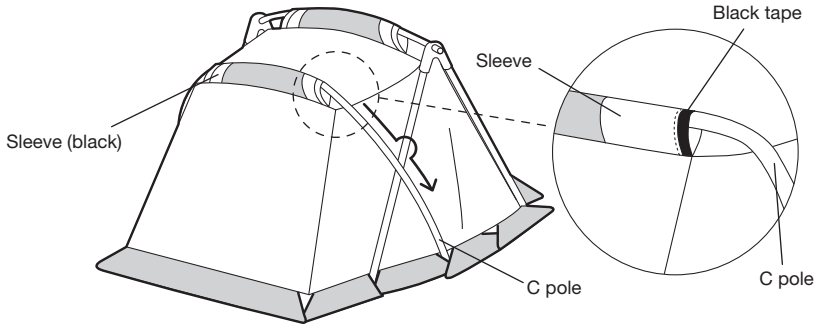


The load is applied, which may bend the ridge pole.

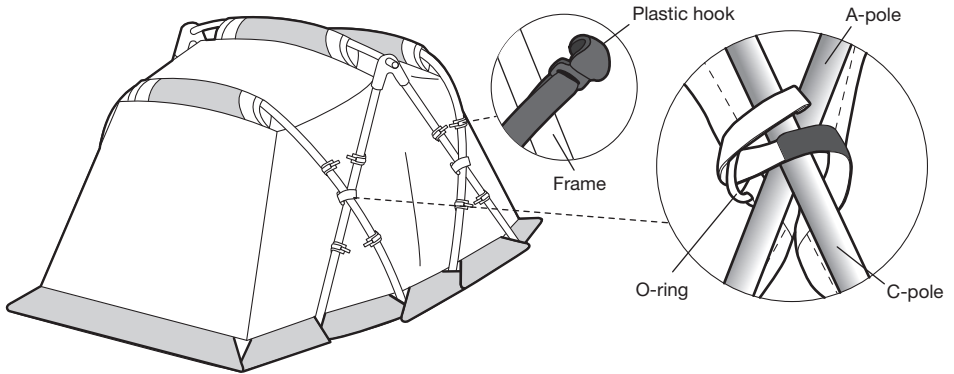


If you lift the ridge pole as shown by the arrow when inserting the ring pin, the load will be forcibly applied to the ridge pole of the A-shape frame joint section on the opposite side, which may cause the ridge pole to bend.

- ④ Connect the C-pole with the black sticker little by little, and insert it into the sleeve with the black tape on both sides.
 Next, insert the ring pin in the same way as in step ③. After raising the C-pole on one side, raise the other C-pole as well.
 Note) Connect the C-pole little by little, and pass it through the sleeve. Pass the C-pole through the outside of the A-pole.

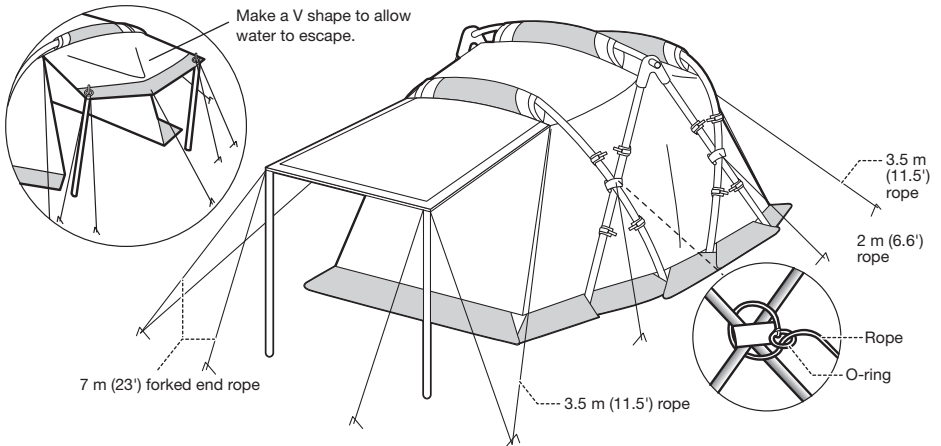


- ⑤ Attach the plastic hook to the A-pole and C-pole from the top to the bottom in order. To secure the cross section of the frame, pass the Velcro tape through the O-ring.



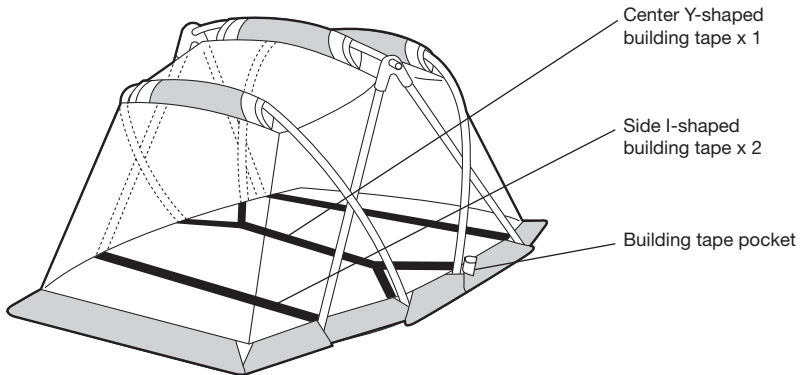
- 6 Pass the duralumin peg through the peg down loop attached to the hem ring pin, and insert all pegs. When flipping up the entrance door panel, use the two included upright poles, and set up them with the forked end rope. Adjust the direction of the rope so that there are no wrinkles.

Note) Water tends to collect on the door panel when it rains, so tilt the pole diagonally to create a slope, or use a short pole and lower the rope in a large V shape in the center of the front to make a water escape route so that water is not pooled.

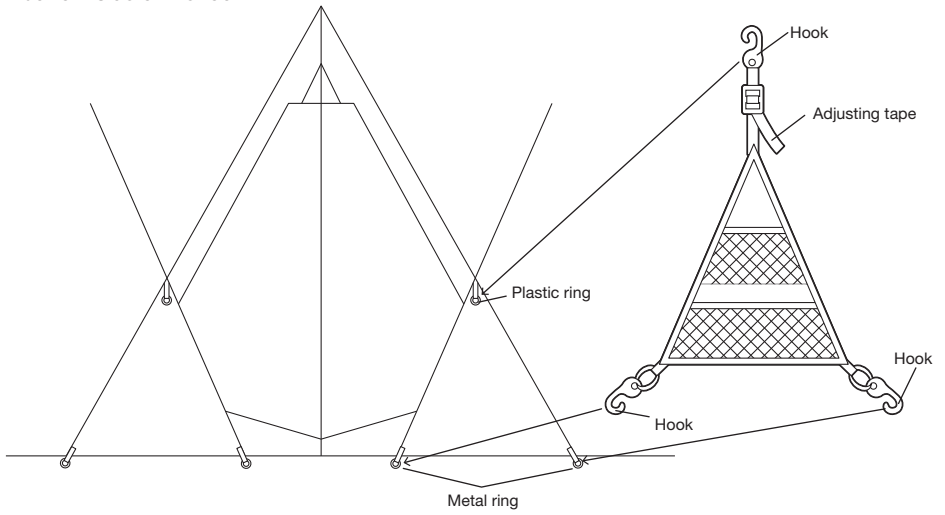


Note) Be sure to peg down the rope firmly so that the shell will not be blown away by strong winds, and that the frame will not be bent.

- 7 Finally, remove the buckle of the building tape and store the tape in the pocket.



- 8 Attach the triangular pockets (x2) to your desired locations on the four triangular panels at the bottom side of the room.

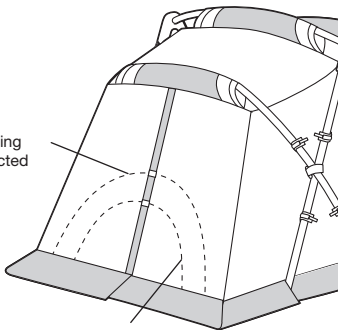


- 9 The following Snow Peak tents can be connected to the back of the main body. Roll up the panel along the connection line of your corresponding tent. Insert the vestibule pole of the tent into the tent connecting port, and connect the tent.

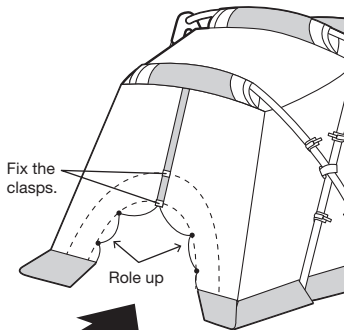
Land Breeze 6
Dock Dome 6
Amenity dome M
Amenity dome L
connection line

* Please note that the following products cannot be connected because the shape of the vestibule pole is different.

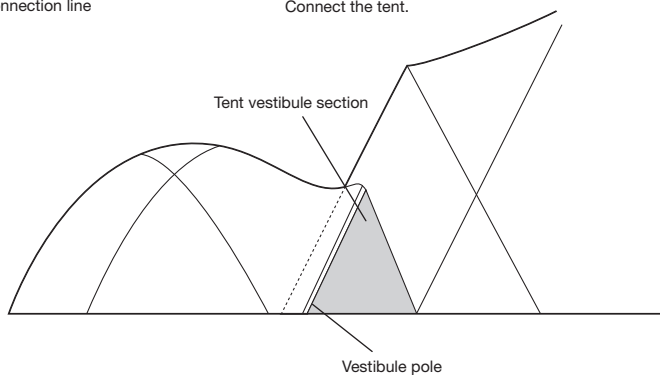
SD-641 Land Breeze Pro.1
SD-643 Land breeze Pro.3
SD-644 Land breeze Pro.4



Land Breeze 4
Amenity Dome S
connection line

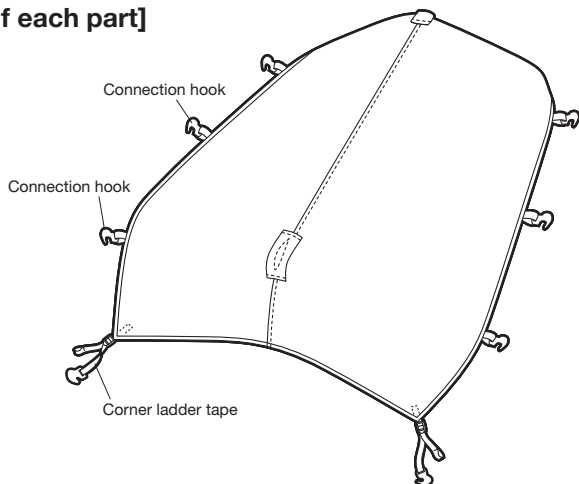


Connect the tent.

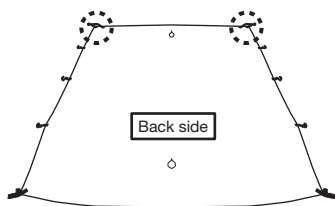
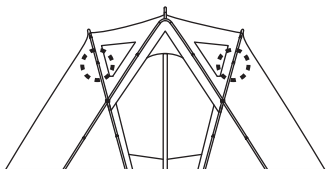


How to attach the roof sheet: Please set up with two or more people.

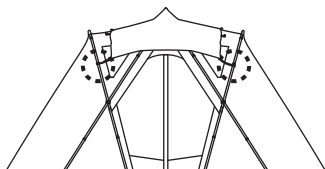
[Name of each part]



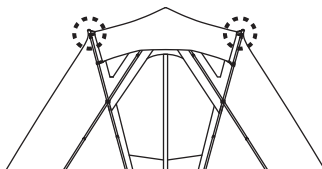
- 1) Unfold the roof sheet inside out, and check the locations to connect the roof sheet to Living Shell on both sides. The side of the roof sheet where you can see the holes is the back side.



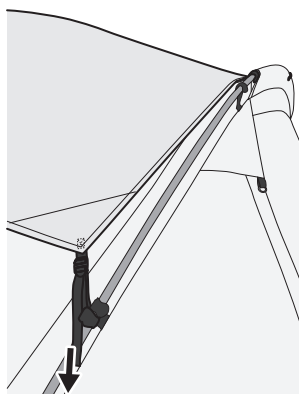
- 2) Place the roof sheet over Living Shell.



- 3) Hang the connecting hooks on all the C-poles. (If there is a sleeve, hang it over the sleeve.)

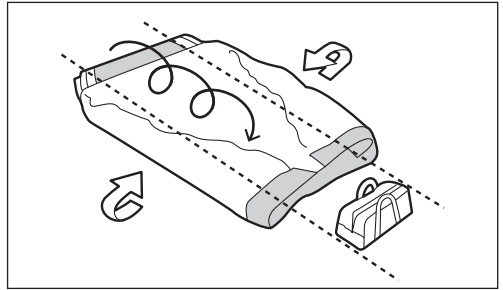


- 4) Pull the corner ladder tape to eliminate the slack in the entire roof sheet.



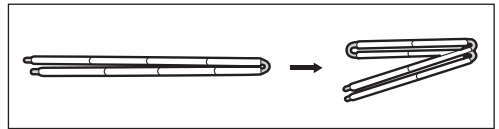
How to store the Shelter in the Carry Bag

- 1) Fold the Shelter according to the length of the Carry Bag and place them inside it.
- 2) Store the Poles and the pegs in their cases, then place the cases in the Carry Bag. If you store the Poles and Pegs without putting them in the case, it may damage the products or Carry Bag.



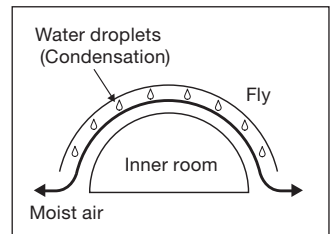
Precautions for Storage

- Make sure that the product is sufficiently dry before storing it.
- If the wind is strong, wait for it to subside before disassembling the tent.
- If you have attached an inner room, be sure to remove the inner room or any other products from the shelter before disassembling it.
- Ensure nothing is inside the shelter and that all panels and windows are closed.
- Ensure that all belts are connected before taking down the shelter. Connecting the belts makes it easier to peg down the shelter next time.
- When removing the frame from the pins, the frame may bounce back, which is dangerous. Do not let go of the frame until it is straight.
- When removing the frame from the sleeve, be sure to push it out.
 - * If you pull the frame to take it out, the connecting part may come off inside the sleeve, which may result in the fabric being damaged.
- Fold the frame from the center each time. If you fold the main poles from the edges, the shock cord inside the pole may stretch or break, causing the frame to bend or break.
- Remove all pegs, clean them, and store them in the peg case with their heads facing down. Store all frames in the frame case. If the wing poles are exposed, they may damage the fabric or the carry bag.



Regarding Condensation

Mist is a collection of water droplets suspended in the air that turns into condensation in rapidly falling temperatures. In smaller spaces such as the inside of a tent or shelter, water vapor concentration is higher than in an ordinary room and frequently results in more condensation. Depending on the surrounding conditions, it may be impossible to avoid condensation completely, even with waterproof materials. To reduce condensation, allow steady ventilation while the tent is in use.



Water-Repellent and Waterproof Functions

- The fabrics of the main body are treated with a high-quality, water-repellent finish. However, the level of the water-repellent ability and durability may vary slightly due to the characteristics of each material type. The water-repellent finish will lose its effectiveness after repeated use. When the water-repellent ability decreases, please use a water-repellent spray purchased from your local outdoor gear retailer. When using such sprays, please follow the product's instructions.
- Although this product is made of highly waterproof fabric, rainwater may soak into it if it is in contact with water pools on the ground for long periods of time.
- The PU coating may be damaged by agricultural chemicals, which cause the water pressure resistance to decrease to an abnormal degree. Please note that the product will not be covered by the warranty if it is damaged by agricultural chemicals.
- The logo may peel off due to the effect of the water repellent agent.

Regarding the Effect of Ultraviolet Rays

- UV protection treatment has been applied to the material of the product.
*UV protection treatment does not completely shield humans from ultraviolet rays or stop the deterioration of the strength of the material.
- If the shelter is left in the sun for long periods of time, the colors of the materials may fade, or the fabric may deteriorate and lose its strength. Do not leave the shelter set up permanently.
- If the material deteriorates due to ultraviolet rays and is badly damaged, it may become irreparable.

Maintenance & Storage

- When using the product again after not using it for a long period of time, inspect the product and its included items. If you have any questions, please contact Snow Peak Customer Service.
- A polyester fabric blend is used for this product. Considering the material characteristics, we have adopted processing and color patterns that will result in less color migration. However, depending on storage conditions, slight color migration may occur. Do not store the product while it is wet.
- Before storing, the product should be cleaned and dried. If the product is stored while wet, mold will build up and bad odors, color migration, and material deterioration will occur. Dry the product sufficiently in a breezy, shaded area and clean the surface using a soft brush before storing.
- Clean and dry the surface of the frames before storing. If stored when wet, corrosion may occur, resulting in strength deterioration. Keep the joints clean and apply a small amount of silicone lubricant. Applying an excessive amount of lubricant will stain the fabric. Ensure that the cords inside the poles are not pulled unnecessarily.
- When storing the frames, please fold them from the center outwards.
- Please store in a well-ventilated area away from direct sunlight, high temperatures, and humidity.
- Using the zipper when it is covered with mud, sand or dust may cause wear or damage. Clean the zipper with a brush before use. Apply small amounts of silicone lubricant to the zipper regularly to ensure smooth movement. Applying an excessive amount of lubricant will stain the fabric.
- Small areas of fabric damage can be fixed with repair tape. Please read the repair tape manual carefully before applying.
- Depending on the conditions during use, a large area of the material may deteriorate, lose its durability, and become irreparable.
- Seam tape is pressure-capped at a temperature setting that prevents the PU coating from being damaged. However, it may peel off as it is used repeatedly. If peeling is discovered, use an iron at a low temperature and reattach the peeling sections only. Be aware that excessive heat will discolor or accelerate the deterioration of the fabric. Do not forcibly peel off the seam tape. If the PU coating peels off completely, it may not be possible to repair.
- Sap cannot be easily removed. Do not set up this product under trees that frequently drop sap. If sap is forcibly removed using a solvent, etc., the fabric or coating may be damaged.
- To maximize the longevity of this product, regularly check and maintain it (including all accessories such as pegs).

FAQ

Q: What can be done if the Pole is broken while the shelter is in use?

A: For emergency treatment, use a splint or fix with vinyl tape. Or disassemble the shelter for repair.

Q: What can be done if the shelter cloth is damaged or rips while the shelter is in use?

A: Seal the area with packing tape on both sides or use a shelter repair kit that can be purchased at your local outdoor gear retailer. When using a repair kit, read the instructions carefully.

Q: What can be done when the water-repellent finish degrades?

A: The water-repellent finish will lose its effectiveness with repeated use.

When the material's water repellence decreases, please use a water-repellent spray that can be purchased at your local outdoor gear retailer. When using such sprays, please follow the product's instructions.

Q: What can be done if mold develops on the shelter material?

A: Wipe the affected area with a dry cloth and sterilize with alcohol. When the material has a color change due to mold, this color change cannot be removed. Removing mold with excessive force may result in further deterioration of the material and the coating finish.

Warranty

Snow Peak has taken all possible measures to ensure every product is durable and functions correctly. If you find any product defects, please contact the retailer where you purchased the product or Snow Peak Customer Service. If there are apparent defects in the product's manufacturing, the defective product will be repaired or exchanged free of charge. In other cases, Snow Peak will repair the product for an appropriate fee. The decision to repair or replace the product will be at our discretion. Snow Peak will not repair the product for any damage that occurred due to the following:

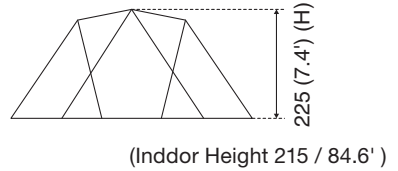
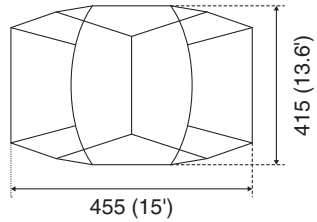
1. Material deterioration caused by age
2. Damage caused by modifications or rough handling
3. Damage caused by inappropriate use not mentioned in the instruction manual
4. Damage caused by unexpected accidents
5. Any damage other than defects in the manufacturing process
6. Damage caused by dust or rust
7. Damage and defects caused by dismantling the product
8. Damage and defects caused by dropping, jolting or other shocks
9. Deterioration or failure of parts due to friction
10. Damage caused by the use of the product in combination with another manufacturer's products

Repair

- If professional repairs are required, please contact the retailer where you purchased the product or Snow Peak Customer Service.
- When you request repairs, please make sure that the product is dry and clean.
- Please attach a memo or a tag indicating the necessary repair and please write details of how and when the damage occurred.
- Transportation and repair costs are determined as follows.
 1. Within warranty: The transportation cost (both ways) and repair cost will be covered by Snow Peak.
 2. Outside warranty: The transportation cost (both ways) and repair cost will be covered by the customer.

Specifications

- Set Contents: Shelter, Roof sheet, Ridge pole, A Pole (x2), C Pole (x2), Dralumin peg (21 cm (8.3") x 22), Triangular pocket (x2), Compression Belt (x2), Rope with Rope Tensioner (3.5 m (11.5') x 4, 7 m (23') forked end rope x 2, 2 m (6.6') x 4), Seam sealant, Pole Case, Peg Case, Carry Bag, Upright Pole (x2)
- Material: Main body / 75D Polyester Taffeta, PU coating waterproof rating: 1,800 mm minimum, UV protection treatment, Teflon water-repellent finish
Roof sheet / 75D Polyester Taffeta, PU coating waterproof rating: 1,800mm minimum, UV protection treatment, Teflon water-repellent finish
Pole / A6061 ($\phi 16$ mm/0.6' / $\phi 19$ mm/0.7')
- Carry Bag Size: 73 x 30 x 33 (h) cm (28.7" x 11.8" x 13")
- Weight: 15 kg (33.1 lbs)



If you have any questions or concerns, please contact your retailer or Snow Peak customer service.

Snow Peak  **+1(503)461-0781** (9:00-17:00)
Customer Service Email: info@snowpeak.com

Snow Peak USA, Inc.

404 NW 23rd Avenue, Portland, Oregon 97210, USA
Tel. +1 (503) 461-0781 / Instagram. @snowpeakusa
Email. info@snowpeak.com / www.snowpeak.com

MADE IN CHINA