

Instruction Manual : Ver 1.00

FES-197

Land Lock Pro. Air Shield Roof Set



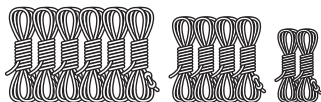
Thank you very much for purchasing a Snow Peak product. This product is a shelter designed for camping. To use this product safely and correctly, please carefully read these instructions. After reading these instructions, keep this manual in a safe place for future reference. If you find anything in the instruction manual that is difficult to understand or find a defect with the product, stop using it immediately and contact the dealers where the product was purchased or Snow Peak Customer Service.

Contents

The contents are designed to be set up in normal conditions. Also, this product does not include pegs. For the basic setup, pegs (x 27) of length 20 cm / 7.9" or more are required separately. Please prepare them after referring to the recommended sizes. Pegs and rope tensioners are consumable items. We recommend that you always carry spares of these items.



Peg Case



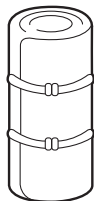
Rope with a rope tensioner
(3.5 m / 11.5' x 6, 2.5 m /
8.2' x 4, 1.5 m / 4.9' x 2)



Carry Bag



Inner room



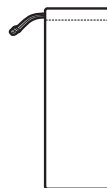
Shelter body
Compression belt x 2



Shield roof



A pole x 2
Ridge pole x 1
C pole x 2
Center pole x 1

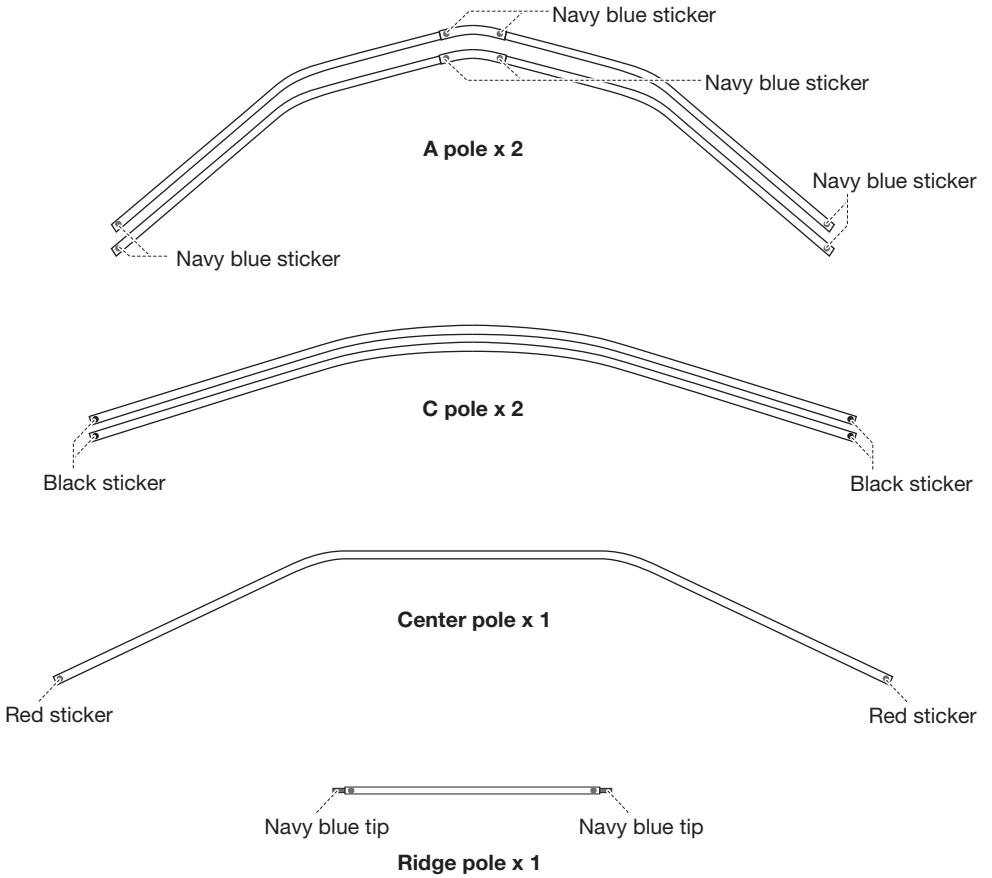


Pole case



Instruction Manual
(this document) x1

Pole configuration



⚠ DANGER: Misuse could easily result in a serious accident or death.

- Do not use combustion-based heat sources such as lanterns, stoves or heaters, or open flames such as matches, candles, lighters or cigarettes, inside the shelter. The use of such heat or light sources inside a small enclosed space is very dangerous and may result in fire, oxygen deficiency, or carbon monoxide poisoning.
- Do not keep fuel, or flammable items for replenishing the fuel, inside the shelter.

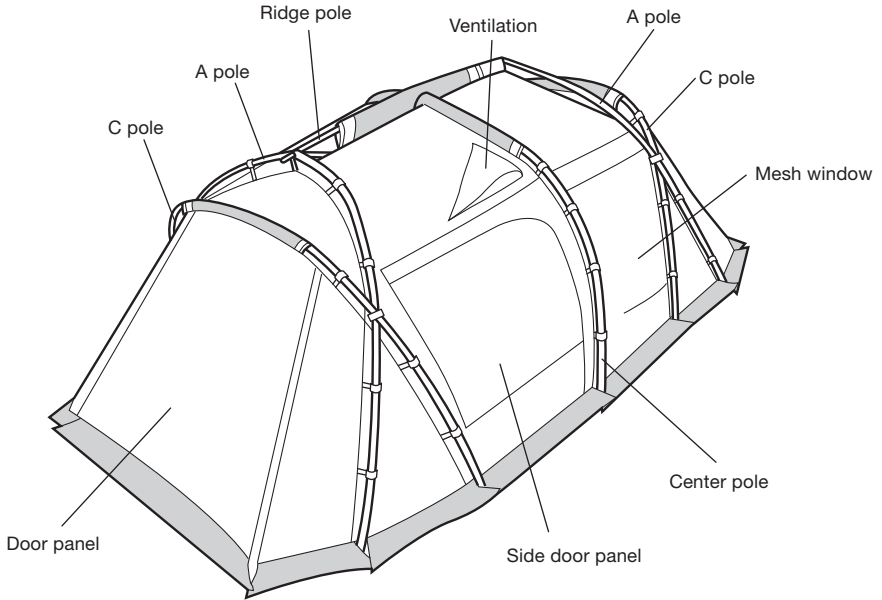
⚠ WARNING: Misuse could result in serious injury or death.

- Pay close attention to the weather. If extreme weather is in the forecast, pack up camp and evacuate to a safe place.
- Do not bring hot or heat-producing items into the shelter. If the inside of the shelter becomes very hot, heatstroke or fire may result.
- Inside the shelter, very high temperatures may cause heatstroke. Pay close attention to the temperature, particularly when children are asleep inside the shelter.
- Choose a flat, well-drained area with firm ground to pitch the shelter. Choose an area where there is no chance of avalanches, landslides, wind gusts, or sudden flooding.

⚠ CAUTION: Misuse could result in injury to the user and/or damage to property.

- This product is not intended to be in permanent use. If the shelter is left in the sun for long periods, the materials may fade in color or the fabric may deteriorate and lose strength. Do not leave the shelter set up permanently.
- Sunlight can cause the surface of the shelter to heat up, potentially causing low-temperature burns.
- Do not assemble or use the shelter close to a bonfire, fireworks, etc. Flying sparks can create holes in the fabric.
- Sap cannot be easily removed once it adheres to the shelter fabric. Do not set up this product under trees that frequently drop sap.
The fabric or coating may be damaged if the sap is forcibly removed using an organic solvent such as a thinner, benzene, etc.
- When assembling and disassembling the shelter, firmly hold the fabric and frame so that the shelter does not get blown away if it is windy. Unexpected accidents may occur due to the pole ends recoiling, etc., so verify the safety of the surroundings.
- Secure the tent using pegs and ropes.
- This product is made of a thin fabric, so it may break if you pull the fabric excessively.
- Please pay attention to the building tape, rope, pegs, etc. around your feet. If you are not careful, you may trip and fall, which may result in an unexpected accident or injury.
- The inner room has a loop for hanging small items. Please only hang items that weigh less than 1 kg (2.2 lbs).

Name of the Parts

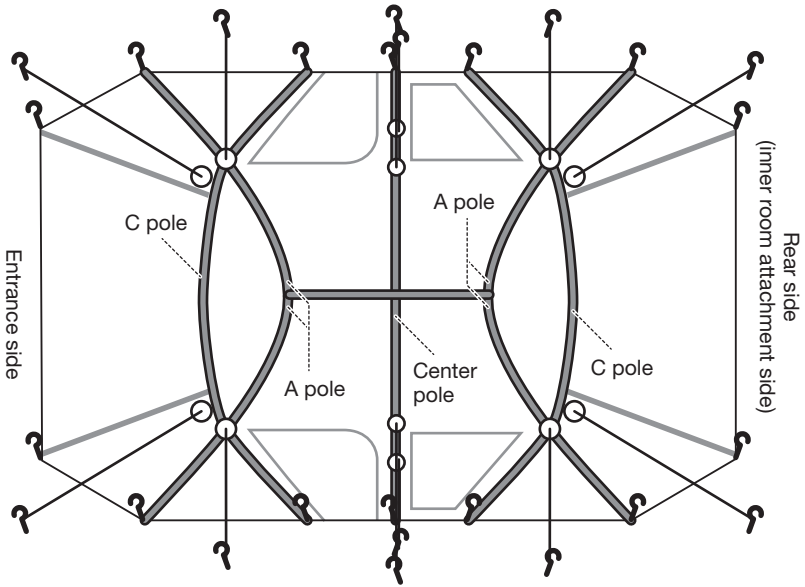


Before using this product for the first time

- Please check that all accessory items are included before attempting to assemble the product, and practice assembling and handling the product before actually using it for camping. In the unlikely event that there is a problem or a missing accessory, please contact the dealer you purchased the product from, or Snow Peak Customer Service.
- This product does not include pegs or hammers.
 - For the basic setup, separately sold pegs (x 27) are required.
Please prepare them after referring to the recommended size below.
 - Recommended peg size
Peg with a driving length of 20 cm / 7.9" or more x 27

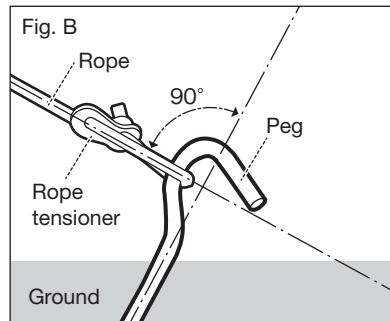
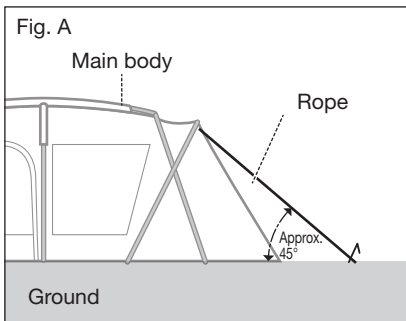
Rope with rope tensioner, peg down position

Fix the rope and determine the peg down positions as shown below.



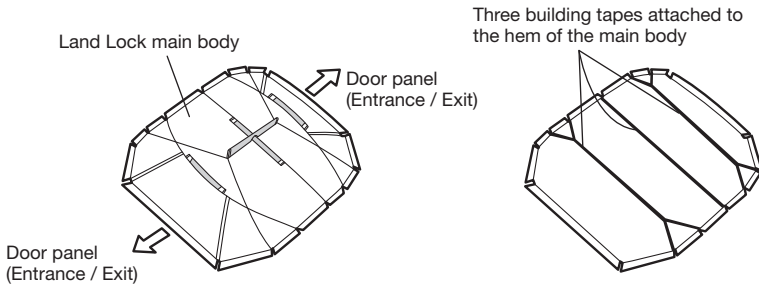
The ideal position to insert the peg is the place where the rope is at a 45° angle to the ground when set up. [Fig. A]

Insert the pegs at a 90° angle to the rope. [Fig. B]

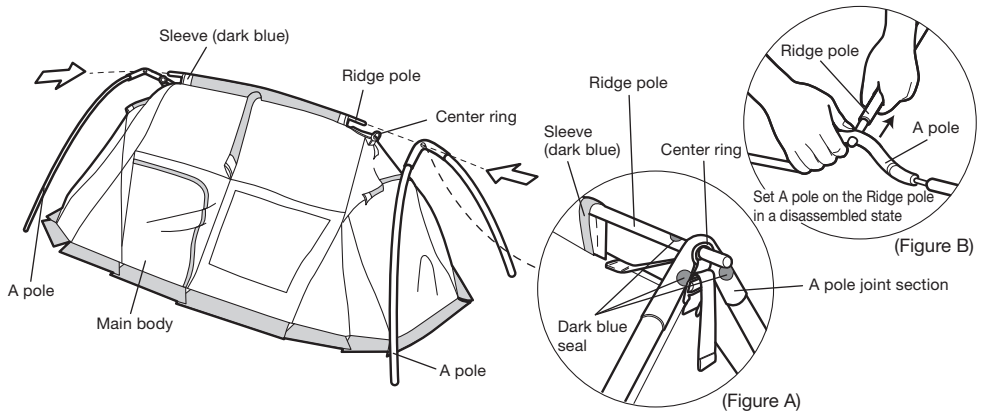


Setup procedure: Make sure that two or more people take part in the setup.

- ① Spread the main body on a flat area. Consider the orientation of the two doorway panels.
* Make sure all three building tapes are buckled. If it is disconnected, make sure to connect them before setup.



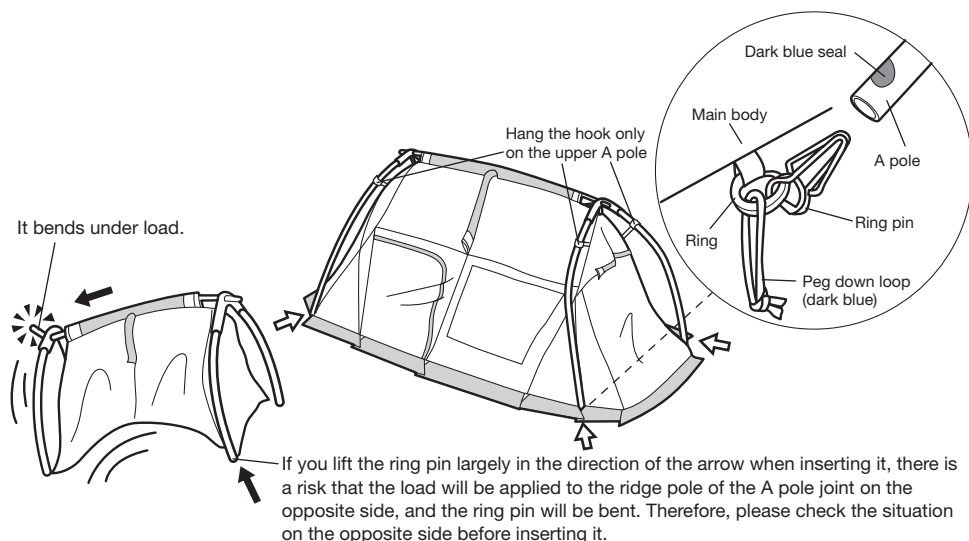
- ② At first, place the ridge pole with navy blue tips into the sleeve with navy blue tape. Then, insert the ridge pole on which the two navy blue stickers on the A pole joint section face outward. Make sure the tip of the ridge pole is fully inserted into the A pole joint section, and then push the center ring all the way in to hang it. (Fig. A)
- At this point, loosen the center ring tape without applying tension. Next, insert the ridge pole into the A pole on the opposite side.
- Note: When setting the A pole on the ridge pole, do not set it after connecting all the A poles, and set it on the ridge pole while leaving the left and right upper ones apart. (Figure B) By setting it and then starting to raise the A pole, you can reduce the stress on the joint and set it up easily.



- ③ Hold the ring pin with the dark blue peg down loop on the hem of the body and insert it into the A pole. (4 places)

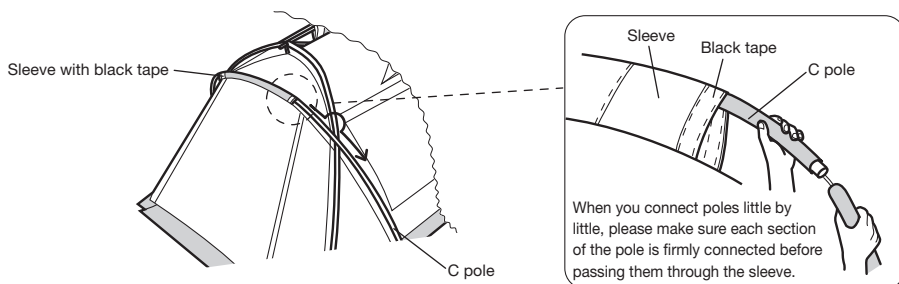
Adjust the tension of the tape by pulling the belt with center rings on both sides. At this time, please hook the plastic hook in the upper part of the A pole beforehand.

* When inserting the ring pin into the A pole end, hold the pole ends firmly so that it does not move, and insert carefully so that your finger does not get caught. If you lift the pole, a load will be applied to the opposite side, and there is a risk of bending the end of the ridge pole.



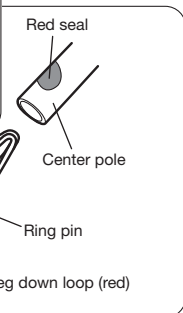
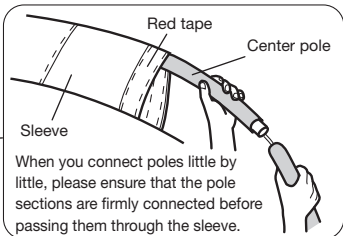
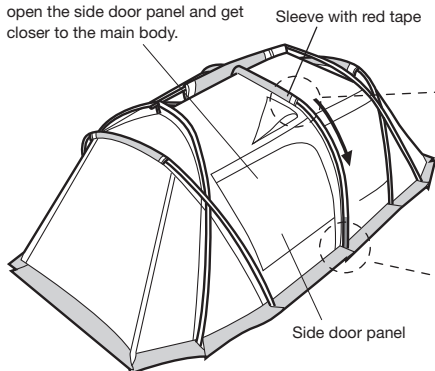
- ④ Connect the C pole with black stickers on both tips little by little, and pass it through the sleeve with a black tape. Next, insert the ring pin (with a black string) in the same way as in step ③. After raising the C pole on one side, raise the other C pole in the same way.

* Also, connect the C pole little by little, and pass it through the sleeve. Pass the C pole through the outside of the A pole.

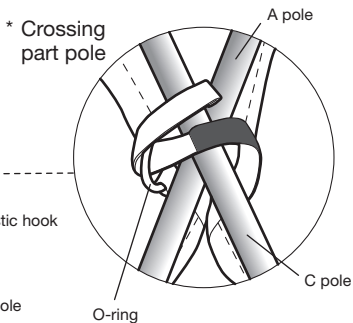
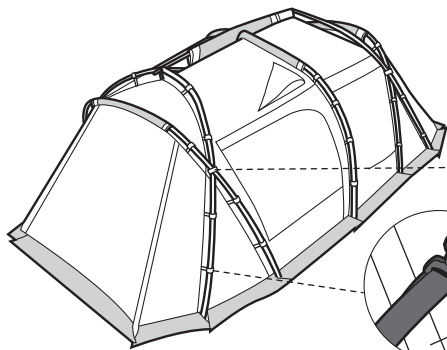


- ⑤ Connect the center pole with red stickers on both tips little by little, and pass it through the center sleeve with a red tape in the center of the main body. Next, insert the ring pins (with a red string) into the pole ends at both tips in the same way as in step ③.

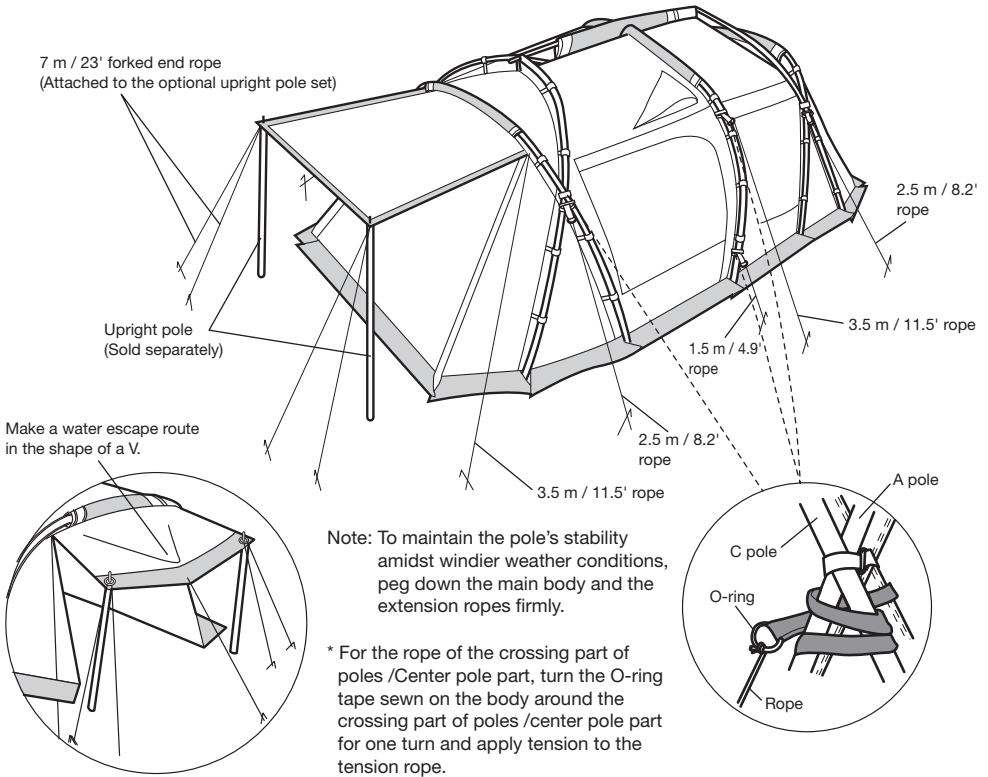
When you pass the pole through the sleeve, it is convenient to open the side door panel and get closer to the main body.



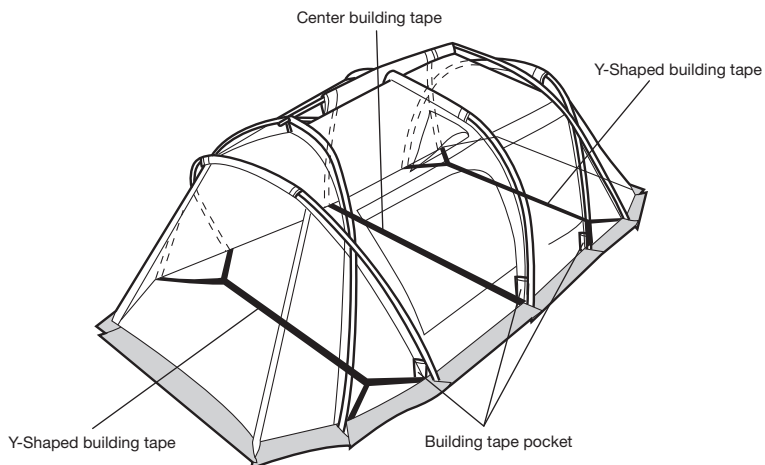
- ⑥ Please hook the plastic hooks from top to bottom to the A pole / C pole / center pole. Fix the crossing part of poles with tape with Velcro through the o-ring.



- 7 Place the peg through the loop attached to the ring pin on the hem and peg down all the loops inside the room. Peg down the rope firmly. Use the sold separately upright pole (TP-080) to lift the entrance / exit door panel. Adjust the direction of the rope so that no wrinkles remain.
- * When it rains, the door panel tends to fill with water, so either tilt the pole and make a gradient or use a short pole and pull down the center of the front with a large V-shaped rope so that water can escape.

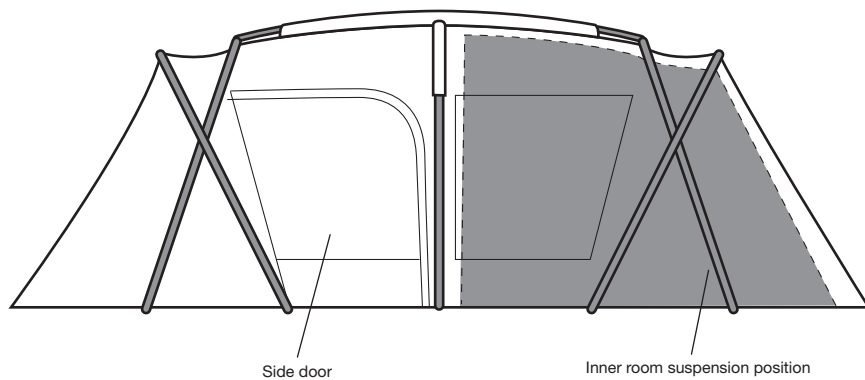


- 8 If necessary, unbuckle the building tape and store the tape in the pocket. If you remove the building tape after setting up, be sure to peg down inside and apply tension.

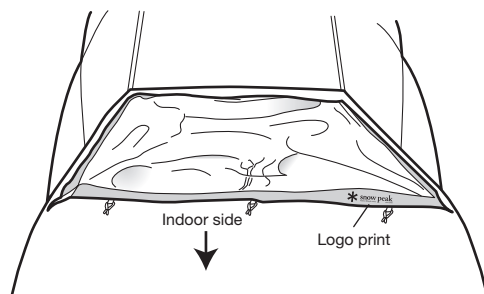


Setting up the inner room

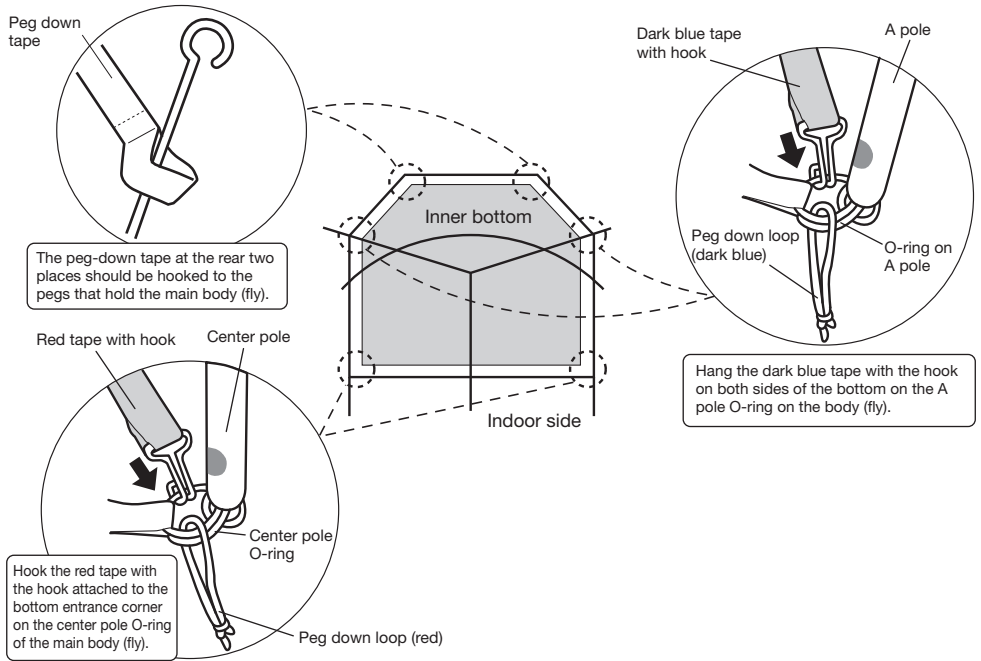
- * Please hang the inner room in the room on the side of the Land Lock without the side door. Since there is no O-ring for the inner room, it cannot be mounted on the side door.



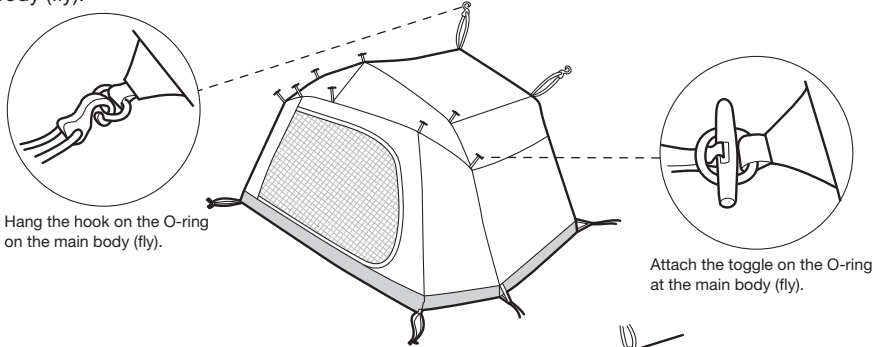
- 1 Please check the front and back of the inner room and spread it in the room of the Land Lock. For the inner room, the side with the logo print at the bottom is the indoor side.



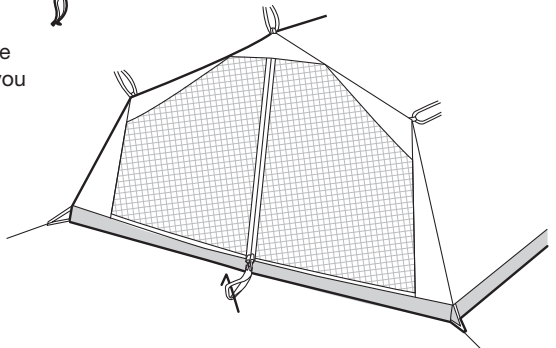
- 2** Hook the hooks and rubber loops on each bottom corner of the inner room to the O-rings and pegs on the main body (fly).



- 3** Hang all the hooks and toggles attached to the top of the inner room to the O-ring of the main body (fly).



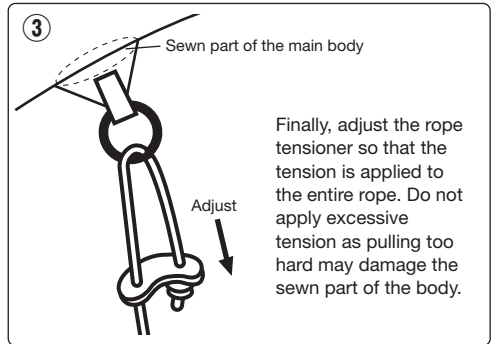
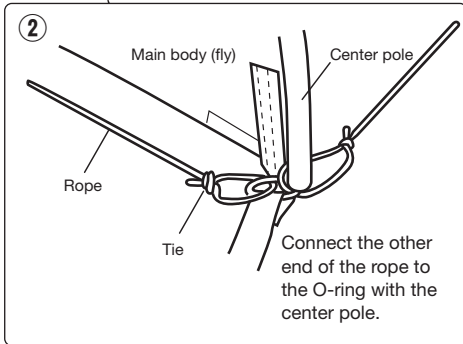
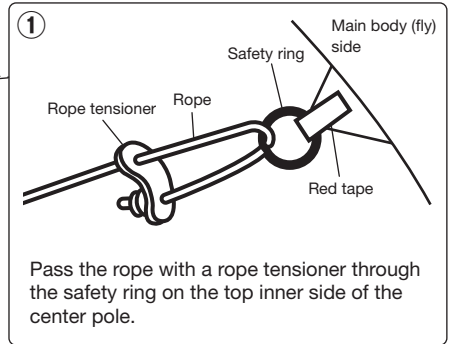
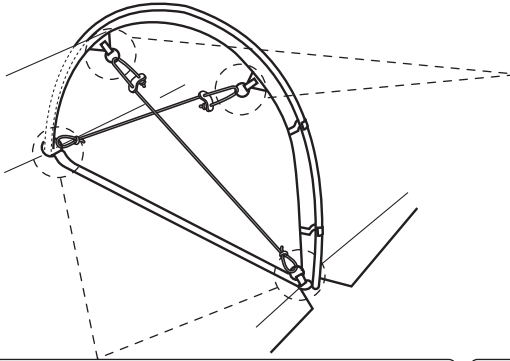
- 4** Peg down the tape at the bottom of the entrance and exit. By pegging down, you will reduce the floating when opening and closing the door.



Use of safety rings

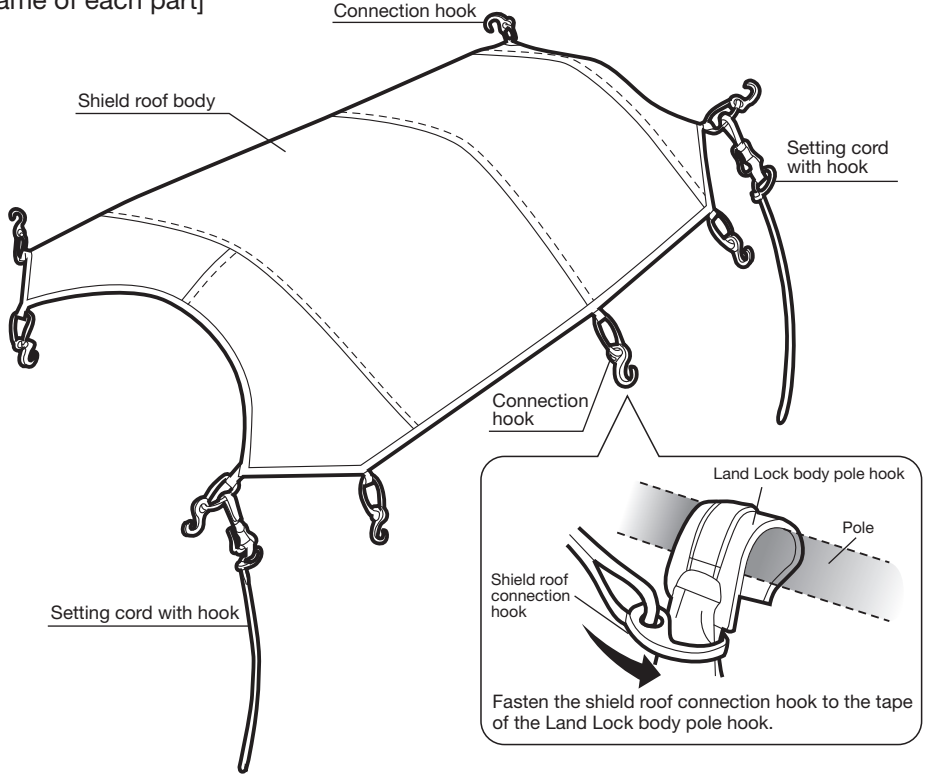
This product has a safety ring that maintains stability during strong winds. Set up your rope inside the center pole, as shown below.

WARNING The safety ring is only a supplementary measure and cannot withstand all bad weather. Please use this product only when there is a temporary strong win or when it is difficult to disassemble immediately. Do not put your weight on the safety ring; otherwise, it may be damaged.

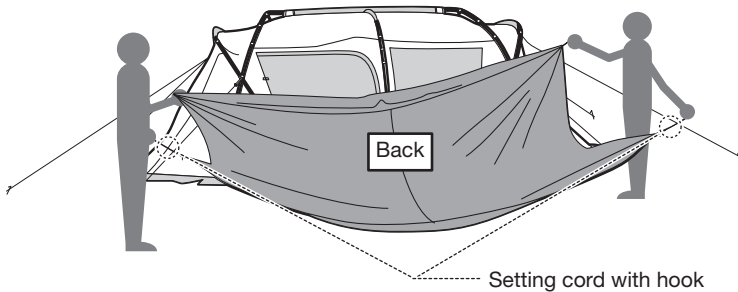


Attaching the shield roof: This procedure should always be carried out by two or more people.

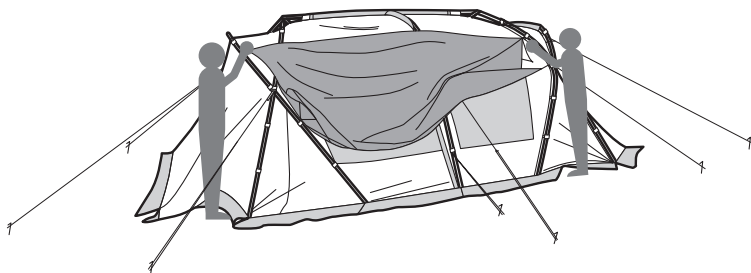
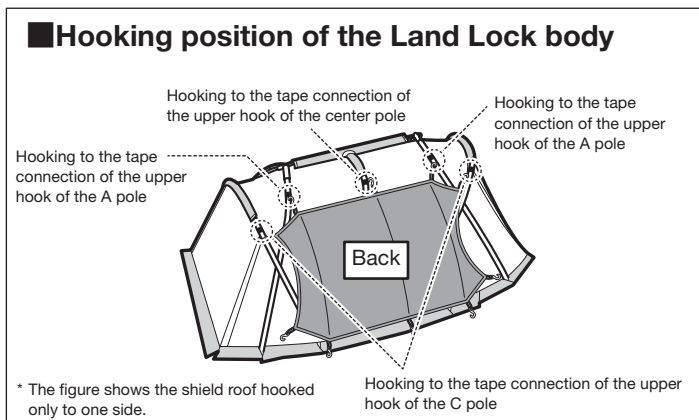
[Name of each part]



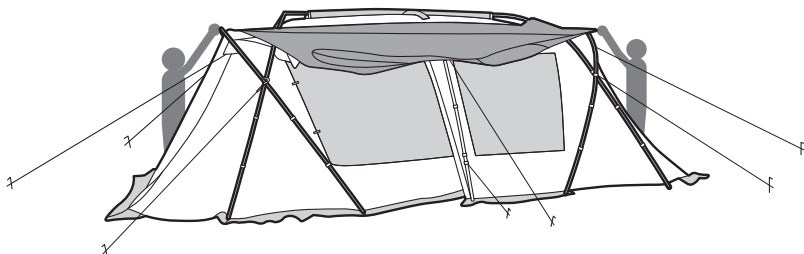
- 1 Check the position of the setting cord with a hook, and spread the shield roof while the back side is facing up.



- ② Hang the shield roof connection hook and the rope with a rope tensioner to each of the tape connections of the upper hooks of the C pole, A pole, and center pole on one side of the Land Lock body.
(For details about the hooking position of the Land Lock body, refer to the figure below.)



- ③ Have two people hold opposite ends of the cord, and place the shield roof over the Land Lock.



- ④ Finally, hang the shield roof connection hook to each of the upper hooks of the C pole, A pole, and center pole on the other side of the Land Lock body, and make adjustments to complete the procedure. After setting, remove the setting cord with a hook.



Precautions for disassembly / storage

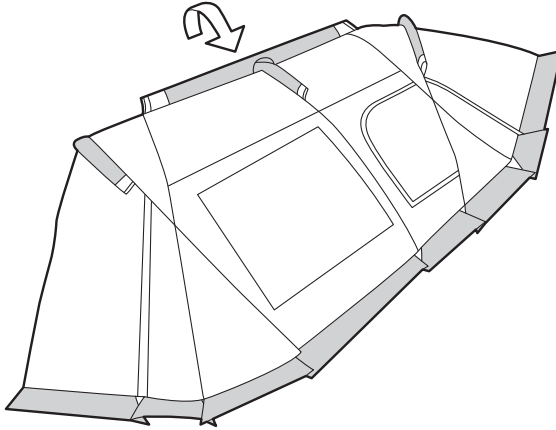
- Before storage, the product should be cleaned and dried sufficiently.
- If you remove the building tape after setting up, connect the Y-shaped and I-shaped buckles of the building tape before taking it down. This will make it easier to position the pegs for the next time you set up.
 - * If you peg down the Y or I-shaped part from the outside of the main body, the main body will expand, and it will be difficult to re-set the pegs when you take it down.
- When removing the pole from the pins, the pole may recoil. Use your hands to keep the pole steady until it straightens.
- When removing the pole from the sleeve, push it out.
 - * If the pole is pulled out, then it may become disconnected inside the sleeve. The disconnection of the pole inside the sleeve may cause damage to the cloth.
- Fold the pole from the center to the edges.
 - If folded from the edge, the cord can be overstretched, which may cause elongation or breakage.
- Pull out all pegs, clean them and store them in the peg case with their heads facing down.



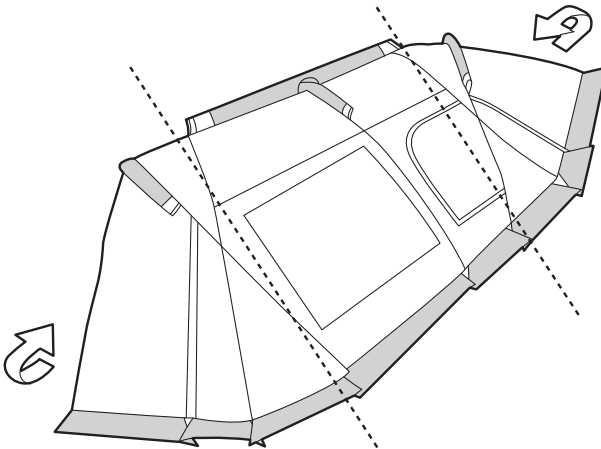
How to store

(When storing, be sure to disassemble the main body after removing the shield roof and inner room from the main body.)

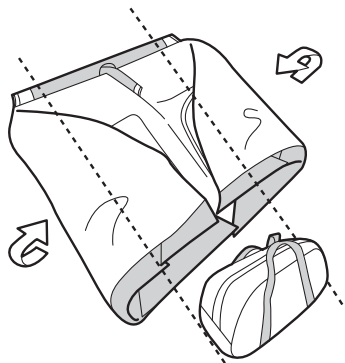
- 1 Fold the main body in half with the center sleeve as centered on top.



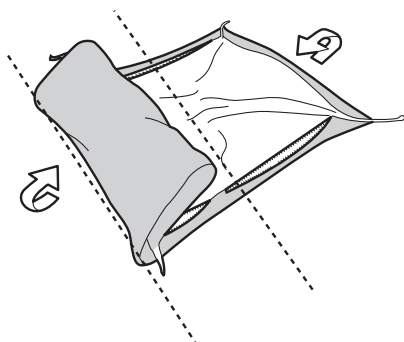
- 2 Fold the sides inward to form a rectangle.



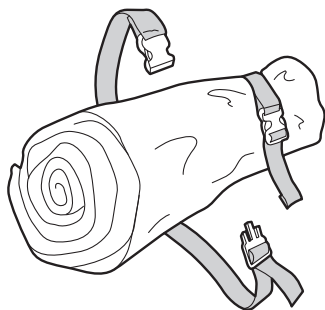
- ③ Fold the rectangular main body (fly) to a width that fits into the carry bag.



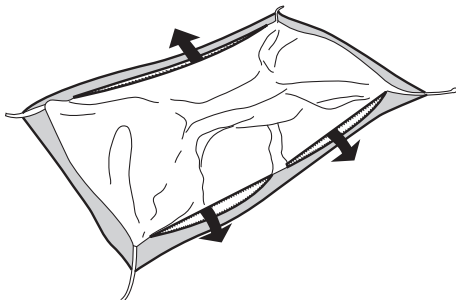
- ⑤ As with the main body (fly), please fold it to fit into the carry bag.



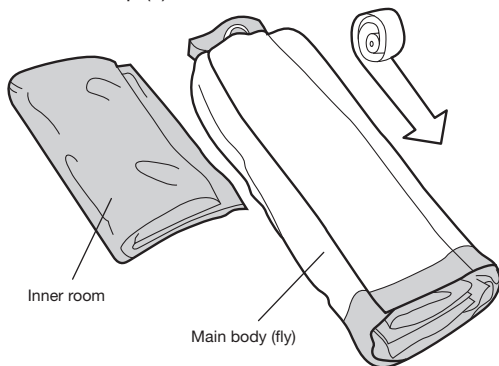
- ⑦ Put the main body (fly), inner room, and shield roof together, and compress all by tightening the two compression belts provided.



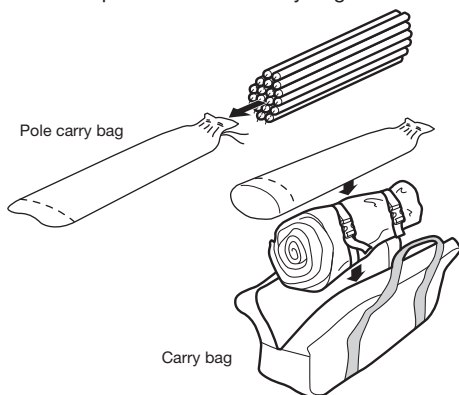
- ④ Leave the zipper at the bottom of the inner room door panel open to allow air to escape easily.



- ⑥ After reaching the width of the carrying bag, roll up the main body (fly) so that the air comes out toward the hem. Wrap the inner room toward the zipper opened in step (4) to let the air out.

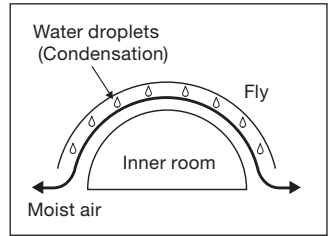


- ⑧ Place the poles in the pole case, and store the main body (fly), inner room, shield roof, and pole case in the carry bag.



Regarding Condensation

Mist is a collection of water droplets suspended in the air that turns into condensation in rapidly falling temperatures. In smaller spaces such as the inside of a tent or shelter, water vapor concentration is higher than in an ordinary room and frequently results in more condensation. Depending on the surrounding conditions, it may be impossible to avoid condensation completely, even with waterproof materials. To reduce condensation, allow steady ventilation while the tent is in use.



Water-Repellent and Waterproof Functions

- The fabrics of the main body are treated with a high-quality, water-repellent finish. However, the level of the water-repellent ability and durability may vary slightly due to the characteristics of each material type. The water-repellent finish will lose its effectiveness after repeated use. When the water-repellent ability decreases, please use a water-repellent spray purchased from your local outdoor gear retailer. When using such sprays, please follow the product's instructions.
- Although this product is made of highly waterproof fabric, rainwater may soak into it if it is in contact with water pools on the ground for long periods of time.
- The PU coating may be damaged by agricultural chemicals, which cause the water pressure resistance to decrease to an abnormal degree. Please note that the product will not be covered by the warranty if it is damaged by agricultural chemicals.
- The logo may peel off due to the effect of the water repellent agent.

Regarding the Effect of Ultraviolet Rays

- If the shelter is left in the sun for long periods of time, the colors of the materials may fade, or the fabric may deteriorate and lose its strength. Do not leave the shelter set up permanently.

Maintenance & Storage

- When using the product again after not using it for a long period of time, inspect the product and its included items. If you have any questions, please contact Snow Peak Customer Service.
- A polyester fabric blend is used for this product. Considering the material characteristics, we have adopted processing and color patterns that will result in less color migration. However, depending on storage conditions, slight color migration may occur. Do not store the product while it is wet.
- Note that this product is made of a material that wrinkles easily.
- Before storing, the product should be cleaned and dried. If the product is stored while wet, mold will build up and bad odors, color migration, and material deterioration will occur. Dry the product sufficiently in a breezy, shaded area and clean the surface using a soft brush before storing.
- Clean and dry the surface of the frames before storing. If stored when wet, corrosion may occur, resulting in strength deterioration. Keep the joints clean and apply a small amount of silicone lubricant. Applying an excessive amount of lubricant will stain the fabric. Ensure that the cords inside the poles are not pulled unnecessarily.
- When storing the frames, please fold them from the center outwards.
- Please store in a well-ventilated area away from direct sunlight, high temperatures, and humidity.
- Using the zipper when it is covered with mud, sand or dust may cause wear or damage. Clean the zipper with a brush before use. Apply small amounts of silicone lubricant to the zipper regularly to ensure smooth movement. Applying an excessive amount of lubricant will stain the fabric.
- Small areas of fabric damage can be fixed with repair tape. Please read the repair tape manual carefully before applying.
- Depending on the conditions during use, a large area of the material may deteriorate, lose its durability, and become irreparable.
- Seam tape is pressure-capped at a temperature setting that prevents the PU coating from being damaged. However, it may peel off as it is used repeatedly. If peeling is discovered, use an iron at a low temperature and reattach the peeling sections only. Be aware that excessive heat will discolor or accelerate the deterioration of the fabric. Do not forcibly peel off the seam tape. If the PU coating peels off completely, it may not be possible to repair.
- Sap cannot be easily removed. Do not set up this product under trees that frequently drop sap. If sap is forcibly removed using a solvent, etc., the fabric or coating may be damaged.
- To maximize the longevity of this product, regularly check and maintain it (including all accessories such as pegs).

FAQ

Q: What can be done if the Pole is broken while the shelter is in use?

A: For emergency treatment, use a splint or fix with vinyl tape. Or disassemble the shelter for repair.

Q: What can be done if the shelter cloth is damaged or rips while the shelter is in use?

A: Seal the area with packing tape on both sides or use a shelter repair kit that can be purchased at your local outdoor gear retailer. When using a repair kit, read the instructions carefully.

Q: What can be done when the water-repellent finish degrades?

A: The water-repellent finish will lose its effectiveness with repeated use.

When the material's water repellence decreases, please use a water-repellent spray that can be purchased at your local outdoor gear retailer. When using such sprays, please follow the product's instructions.

Q: What can be done if mold develops on the shelter material?

A: Wipe the affected area with a dry cloth and sterilize with alcohol. When the material has a color change due to mold, this color change cannot be removed. Removing mold with excessive force may result in further deterioration of the material and the coating finish.

Warranty

Snow Peak has taken all possible measures to ensure every product is durable and functions correctly. If you find any product defects, please contact the retailer where you purchased the product or Snow Peak Customer Service. If there are apparent defects in the product's manufacturing, the defective product will be repaired or exchanged free of charge. In other cases, Snow Peak will repair the product for an appropriate fee. The decision to repair or replace the product will be at our discretion. Snow Peak will not repair the product for any damage that occurred due to the following:

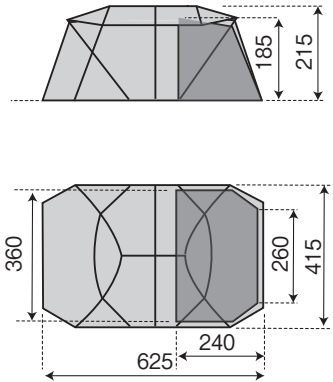
1. Material deterioration caused by age
2. Damage caused by modifications or rough handling
3. Damage caused by inappropriate use not mentioned in the instruction manual
4. Damage caused by unexpected accidents
5. Any damage other than defects in the manufacturing process
6. Damage caused by dust or rust
7. Damage and defects caused by dismantling the product
8. Damage and defects caused by dropping, jolting or other shocks
9. Deterioration or failure of parts due to friction
10. Damage caused by the use of the product in combination with another manufacturer's products

Repair

- If professional repairs are required, please contact the retailer where you purchased the product or Snow Peak Customer Service.
- When you request repairs, please make sure that the product is dry and clean.
- Please attach a memo or a tag indicating the necessary repair and please write details of how and when the damage occurred.
- Transportation and repair costs are determined as follows.
 1. Within warranty: The transportation cost (both ways) and repair cost will be covered by Snow Peak.
 2. Outside warranty: The transportation cost (both ways) and repair cost will be covered by the customer.

Specifications

- Set contents: Shelter body, shield roof, inner room, A pole (x 2), C pole (x 2), center pole, ridge pole, rope with a rope tensioner (1.5 m / 4.9' x 2, 2.5 m / 8.2' x 4, 3.5 m / 11.5' x 6), carry bag, pole case, peg case, compression belt (x 2)
- Material: Main body/75D silicon polyester ripstop, Shield pigment PU coating waterproof rating: 1,500mm minimum (roof), 75D silicon polyester ripstop, PU coating waterproof rating: 1,500mm minimum (wall), Shield roof/75D silicon polyester ripstop, Shield pigment PU coating waterproof rating: 1,500mm minimum, Pole/A6061, Inner room/20D polyester mini ripstop (wall), 40D polyester mini ripstop, PU coating waterproof rating: 1,800mm minimum (bottom)
- Carry bag size: 74 x 30 x 35 (h) cm / 29.1" x 11.8" x 13.8" (h)
- Weight: 20.7kg / 45.6 lbs



If you have any questions or concerns, please contact your retailer or Snow Peak customer service.

Snow Peak  **+1(503)461-0781** (9:00-17:00)
Customer Service Email: info@snowpeak.com

Snow Peak USA, Inc.

404 NW 23rd Avenue, Portland, Oregon 97210, USA
Tel. +1 (503) 461-0781 / Instagram. @snowpeakusa
Email. info@snowpeak.com / www.snowpeak.com

MADE IN CHINA