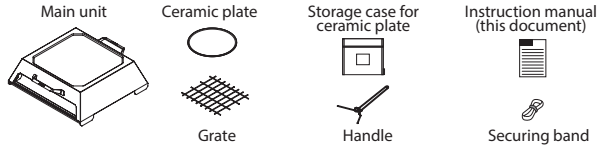


CS-390 Field Oven

Thank you for purchasing this Snow Peak product. This product is an outdoor oven that can be used in combination with the Pack & Carry Fireplace (L) (ST-032R) and Fireplace Grill Bridge (L) (ST-032GBR). In order to ensure your safety when using this product, please read the following instructions carefully before use. Please be sure to keep this document for future reference. If there is an item in the instructions that you do not understand, or if you find a fault in the product, stop use immediately and consult the store where you purchased this product or contact our User Service department.

Contents of Set (Names of Parts)



Specifications

- Contents of set: Main unit, handle, ceramic plate, storage case for ceramic plate, grate, securing band
- Materials: Main unit: Stainless steel, Handle: Steel, Ceramic plate: Heat-resistant ceramic, Grate: Stainless steel
- Size: Main unit: 460×470×150mm
Ceramic plate: 370×20mm
Storage case for ceramic plate: 400×430×20mm
- Weight: 6.6kg (main unit: 4kg, handle: 150g, ceramic plate: 1.5kg, grate: 750g, securing band: 100g)

Safety Precautions: Please read thoroughly to use safely and avoid expected accidents.

Fire is used with this product. Mishandling can be extremely dangerous in many ways. This product is not intended to avoid or reduce those risks. Although sufficient attention has been paid to safety in the design of this product, misuse can still cause injury to yourself or others, as well as physical damage. The following precautions are provided to prevent the occurrence of such accidents. Please read them thoroughly, and confirm the method of use on the reverse side of this document as well.

⚠ DANGER: Indicates actions from which life-threatening, major accidents are clearly expected.

- This product is for outdoor use only. It absolutely must not be used indoors, in a tent, vehicle, or other enclosed space. Only use it outdoors in a well-ventilated area.
- Do not use the ignition from a gas appliance, or use gasoline, gas, alcohol, or other volatile liquid to ignite the wood or charcoal. This could cause an explosion or other serious accident.

⚠ WARNING: Indicates actions which, depending on the circumstances, may lead to major accidents.

- Before use, ensure that there are no combustible objects or objects otherwise affected by heat in the vicinity. Do not use in a tent, near a tarp or other burnable objects, or on dry grass or other such location where there is the risk of fire spreading.
- Before use, confirm that the product is not damaged and does not contain any broken welds. If you discover any abnormalities, do not use the product, and consult the store where you purchased it or contact our User Service department.
- This product is for use with the Pack & Carry Fireplace (L) (ST-032R) and Fireplace Grill Bridge (L) (ST-032GBR). Do not use it with any other products.
- Do not use on sloping or unstable ground, as this could lead to the main unit tipping over. After the product has been set up, ensure that it is not unstable.
- This product is extremely hot during and immediately after use. Do not touch it with bare hands.
- Do not place anything that weighs 8kg or more on the main unit, ceramic plate, or grate.
- Do not use this product in heavy wind, as doing so is extremely dangerous. If strong winds develop while the product is in use, immediately extinguish the fire and stop using the product. Avoid using this product in rain as well.
- Pay close attention to the fire and surrounding environment. In particular, it is extremely dangerous for small children and pets to play in the vicinity of this product, so maintain a close watch on them.
- Do not attempt to adjust the height of the Fireplace Grill Bridge (L) (ST-032GBR) with the main unit, ceramic plate, grate, or food on top of it, as there is a serious risk that the assembly could tip over, causing burns.
- Do not attempt to move the Pack & Carry Fireplace (L) (ST-032R) or Fireplace Grill Bridge (L) (ST-032GBR) during use.

⚠ CAUTION: Indicates actions which may lead to injury, damage to this product, or damage to other items.

- Sparks are generated when charcoal or wood is burning. Maintain a close watch on the surrounding environment during use.
- Adding too much fuel will deform the container. Do not put more fuel in the product than is needed.
- Ensure that the container is sufficiently cooled down before packing up.
- Ensure that the surrounding environment is safe and has sufficient space so that the product will not tip over during use.
- The main unit will discolor and slightly distort from use, but this will not affect the quality of the product.
- This product uses steel sheeting. Although the edges have been treated, handle with care.
- Please note that soot will adhere to the interior of the main unit when wood is burned inside it.
- This product is extremely hot during and immediately after use. Wear Fireside Gloves (UG-023BR) or other heavy flame-resistant gloves when handling it. Even if you wear gloves, there is a risk of burns depending on whether the gloves are wet, you hold the heated product for a long period of time, or where the gloves come into contact with the product.
- Hold the handles on the main unit with both hands when installing or storing it. Careless handling can lead to injury or damage to the main unit.
- Do not grasp the handles on the main unit if flames were in direct contact with them. They will be extremely hot, which could result in a burn even if gloves are worn. Only touch them after confirming that they have cooled down.
- This product does not include a thermometer. Use a commercially-available thermometer (oven thermometer, etc.) as needed. Use the thermometer according to its instructions, and do not exceed its temperature setting. In particular, the interior of the main unit can reach temperatures above 500°C when using wood. This degree of heat may damage the thermometer, so confirm the upper temperature limit of the thermometer in advance, use the thermometer as instructed, and ensure that its upper limit is not exceeded. Bimetallic thermometers, etc. may be deformed or damaged if flames come in contact with the casing, so keep a constant watch.
- Do not change the temperature of the main unit, such as rapidly cooling it when it is hot.
- Although the main unit is made of stainless steel, certain conditions may cause it to rust.
- Do not place pots, kettles, etc. directly onto the surface of the main unit, as this may accelerate its deformation.
- Although placing charcoal onto the surface of the main unit will cause it to deform, this is not a defect.
- Do not place already burning wood onto the surface of the main unit, as the wood's resin may adhere to it.
- Do not use the ceramic plate for anything other than cooking. Do not heat it more than necessary.
- If you are using the ceramic plate with an open flame, confirm the method of use on the reverse side of this document first, and only use after sufficiently preheating it so that it doesn't come in contact with the open flame at room temperature. Sudden temperature changes, such as rapid heating with an open flame or cooling with water, can damage the ceramic plate.
- Do not use the ceramic plate if you discover that it is cracked or chipped.
- Do not use the ceramic plate in a microwave.
- After washing the ceramic plate with water, only use it again after it has dried sufficiently. Water can easily penetrate unglazed spots on the ceramic plate, and the plate could be damaged if used when water is still present.
- Handle the ceramic plate with care, as impacting it could cause it to crack or chip.
- The storage case for the ceramic plate contains a cushion, but this does not guarantee that the ceramic plate will not be broken. Handle the ceramic plate with care and ensure that it is not impacted, even when in the storage case.
- The grate is for use with the Fireplace Grill Bridge (L) (ST-032GBR). Do not use it in combination with any other product.
- The handle is for use with the ceramic plate. Do not use it for any other purpose.
- When you are using the main unit and ceramic plate, be sure to use the grate as well.
- Do not use the Fireplace Grill Pro (L) (ST-032MA) with this product, as high temperatures could cause its plating to peel off.
- The end of the handle is sharp. Ensure that children do not wave it around or throw it.
- Do not place excessive force on the handle, as this could cause deformation or breakage.
- Sudden temperature changes, such as splashing the product with water, can deform or damage it.
- Check with the local government or administrator before using open fire at a park, campground, or other public site. Do not use this product in any location that prohibits the use of fire.
- The ceramic plate will be extremely hot immediately after use. When removing the ceramic plate, place it on a metal plate that will not heat-deform, such as the Jikaro Table (ST-050) or a Lid Tray (CK-026, CK-051), after removing anything that could be burned or affected by heat from the surrounding area. Do not use a pot stand, etc. as placing it on a wooden or bamboo table could cause burns to the table.

Maintenance

- Wear rubber gloves when cleaning the main unit, and ensure that you do not injure yourself.
- Using a hard scrubbing brush to clean the main unit will scratch it.
- Clean grease, scorch marks, salt stains, etc. with a neutral dish detergent.
- After washing, wipe off the excess water and allow to dry fully in a well-ventilated, shady area.
- Store in a dry location free of humidity.
- If the storage case for the ceramic plate is dirty, clean it with a cloth, etc. Do not use chemicals such as thinners or benzene.
- Do not scour the ceramic plate with hard objects such as metal scrubbing brushes. Doing so may damage the glass layer of the glaze.
- Water can easily penetrate the unglazed spots on the ceramic plate. If you wash the ceramic plate with water, allow it to dry sufficiently before storing it.
- When organizing for storage, turn the main unit upside down, then place the storage case containing the ceramic plate and the handle inside the main unit, followed by the grate and Fireplace Grill Bridge (L) (ST-032GBR). Secure everything with the securing band so that it stays in place.

Quality Assurance

In the unlikely event that any product you have purchased is defective, please contact the store where you purchased it, or our company or the address noted on the individual product. If it is a manufacturing defect, the product will be repaired or replaced free of charge. In other cases, the product will be repaired for a reasonable price. Whether a product will be repaired or replaced will be determined at our discretion. The product may not be guaranteed or repaired in the following cases.

1. The product's life span has been reached due to the aging of its materials.
2. The product was damaged by modification or rough handling.
3. The product was damaged due to being handled in a way forbidden by the instruction manual.
4. The product was damaged by an unforeseen accident.
5. The product was damaged by something other than a manufacturing defect.
6. The product was damaged by dirt or rust.
7. A malfunction or breakage occurred due to disassembly.
8. A malfunction occurred due to part deformation or breakage caused by dropping or other impact.
9. A part was altered due to friction, or there is damage due to said alteration.
10. The product was damaged due to it being used in combination with another company's product.

For question or concerns
contact the Snow Peak
Customer Service Department.
Snow Peak USA Branch
☎ +1 503-697-3330 (9:00-17:00)
✉ Email: info@snowpeak.com

Snow Peak Inc. A Corporation of Japan
410 NW 14th Ave., Portland Oregon, 97209 USA
Tel. +1 503-697-3330 Fax. +1 503-699-1396
www.snowpeak.com

Snow Peak, Inc.
456, Nakanohara, Sanjo-shi Niigata 955-0147 Japan
Tel. +81 256-46-5858 Fax. +81 256-46-5860
www.snowpeak.co.jp

BEFORE USE: Confirm that all of the contents of the set are in order, and prepare any other necessary items, such as the Pack & Carry Fireplace (L) (ST-032R), Fireplace Grill Bridge (L) (ST-032GBR), Fireplace Cast Iron Coal Bed Pro (L) (ST-032S), Fireside Gloves (UG-023BR), fire tongs, charcoal or wood, cooking ingredients, etc.

POINTS FOR USE:

- *The temperature inside the main unit is affected by the height of the Fireplace Grill Bridge (L) (ST-032GBR). Adjust the height as necessary. Do not adjust the height of the Bridge when items such as the main unit, ceramic plate, grate, or food are placed on it.
- *When cooking, watch to make sure that the flames are not escaping, but are convecting to heat the interior of the main unit. Adjust the positioning of the wood or charcoal as needed.
- *If a source of heat is placed directly below the ceramic plate, the food may burn from the bottom and stick, rather than cooking from the top.

• If using wood

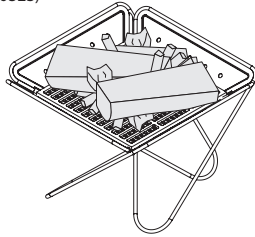
Cooking Example
Pizza, Naan

Pizza can be baked at a temperature of around 500°C with this product by using wood.

*Make the pizza dough following a commercial recipe and prepare any other ingredients needed in advance.

*If using wood, an oven thermometer (500°C or lower) or bimetal thermometer may result in damage to the product if it comes into direct contact with the flames. Use a thermometer that can measure to 500°C or higher.

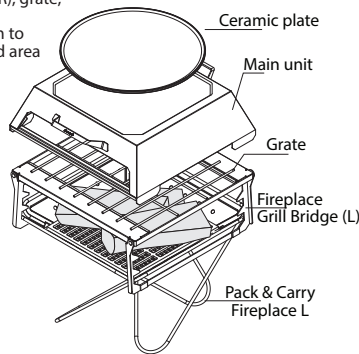
(1) Place the Fireplace Cast Iron Coal Bed Pro(L) (ST-032S) on the Pack & Carry Fireplace (L) (ST-032R). Place newspaper, small branches, and large logs on the Fireplace Coal Bed, in that order, to ensure that the wood will burn easily.



CAUTION

Two logs should ideally be enough wood to bake a pizza, depending on the size of the logs. If you put too much wood in the main unit, it will become extremely hot, which is not suitable for cooking.

(2) Place the Fireplace Grill Bridge (L) (ST-032GBR), grate, and main unit on the Pack & Carry Fireplace (L) (ST-032R), in that order, as shown in the diagram to the right. Place the ceramic plate in the recessed area on top of the main unit. This completes your preparations.



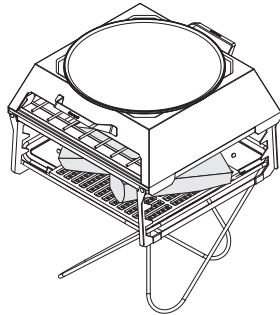
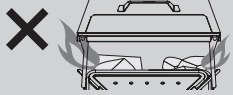
CAUTION

- Ensure the Fireplace Grill Bridge (L) (ST-032GBR) is not slanted when you are placing it on the Pack & Carry Fireplace (L) (ST-032R).
- Install the grate such that the logo on it is facing upwards.
- Firmly place the main unit on the Fireplace Grill Bridge (L) (ST-032GBR) such that it does not protrude on any side.

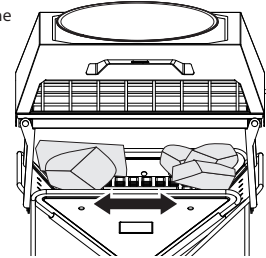
(3) Ignite the newspaper, and the logs will catch fire from there. After confirming that the logs are fully ignited, preheat the ceramic plate on top of the main unit for 15 minutes.

CAUTION

Adjust the positioning of the wood so that flames don't come out from around the main unit, so that the temperature inside the main unit will rise



(4) While the ceramic plate is heating up, roll out the pizza dough in a separate location and arrange whatever ingredients you need.



(5) Once the ceramic plate has heated up, move the burning logs to the edges of the interior, ensuring that the flames don't escape outside the main unit.

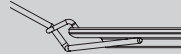
CAUTION

When moving the logs, checking the interior of the main unit, or handling the ceramic plate, pay sufficient attention to sparks and heat. Also note that it is extremely dangerous to put your face near the main unit when checking inside it.

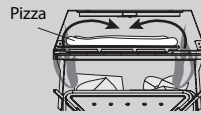
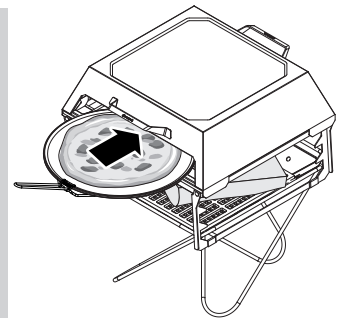
(6) Put the pizza onto the ceramic plate, and use the handle to put the ceramic plate inside the main unit.

CAUTION

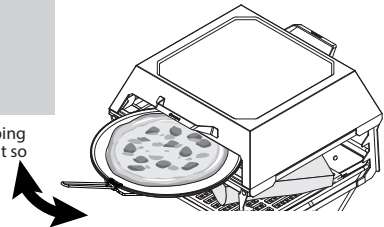
- Take care not to burn yourself when putting the pizza on the ceramic plate.
- Use the handle as shown in the diagram below to ensure that it is securely engaged with the ceramic plate.



- Pay attention, as the bottom of the pizza can easily burn if flames are continuously in direct contact with the bottom of the ceramic plate.
- Watch to see that flames are convecting to heat the main unit. Adjust the positioning of the wood and the ceramic plate as needed.



(7) Turn the ceramic plate while keeping watch over the heat level, adjusting it so that it is cooked uniformly.



(8) The pizza is done when it is browned evenly (1 to 3 minutes).

• If using charcoal

Cooking Example
Pie or Cookies

Using charcoal allows a certain temperature to be maintained stably for a long period of time. The temperature can be adjusted from low to high by adjusting the amount of charcoal and the height of the Fireplace Grill Bridge (L) (ST-032GBR). The interior of the main unit is large, allowing several different dishes to be cooked at once, and also making it possible to keep watch over the food while you cook it.

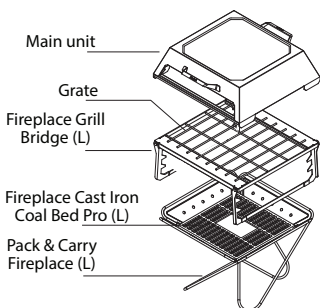
*This product does not include a thermometer. Use a commercially-available thermometer (oven thermometer, etc.) for easy temperature control.

Reference Temperatures

Low heat: 140°C~160°: Pudding, meringue, egg custard, etc.
Medium heat: 170°C~190°: Cake, lasagna, cookies, etc.
High heat: 200°C~250°C: Pie, cream puffs, gratin, roast beef, etc.

*These temperatures are for reference only. Use a commercially-available thermometer to confirm the cooking temperature.

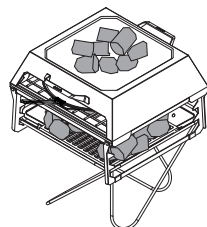
(1) Place the Fireplace Cast Iron Coal Bed Pro (L) (ST-032S) in the Pack & Carry Fireplace (L) (ST-032R), and then place Fireplace Grill Bridge (L) (ST-032GBR), grate, and main unit, in that order, on top of the Fireplace.



(2) Place your ignited charcoal onto the Fireplace Cast Iron Coal Bed Pro (L) (ST-032S), and put extra coals on top of the oven as needed.

CAUTION

You can adjust the cooking by changing the positioning and amount of the charcoal.



(3) Use the handle to put the ceramic plate inside the main unit for preheating.

(4) Place the food you want to cook inside on the ceramic plate

[Using the ceramic plate]
We recommend not using any heat-resistant dishes but placing meat, fish and other ingredients directly on the ceramic plate to cook them.

CAUTION

Do not place the ceramic plate in direct contact with flames or directly on the charcoal when it is at room temperature.

