

# medi

## Donning and doffing aids

### medi Butler

---

#### Your benefits:

- Wide selection of Butlers: the right solution for all of your customer requirements
- Increase add-on sales
- Time saving with uncomplicated donning and doffing

#### Benefits for your customers:

- Quick and simple donning of compression stockings
- Less effort required
- Wide choice for the most individual demands

### medi Export Butler with long handles

---

The ideal donning aid for all compression stockings wearers who can comfortably use a donning aid for their stockings without assistance. The long handle ensures maximum stability when putting on compression stockings and pantyhose. The handle length is 32 cm. The stirrup width is 11 cm.

**Article No.** 6900041000



medi Export Butler

### medi Butler with long handles

---

The handle length is 35 cm. The stirrup width is 11 cm.

**Article No.** 6900052000



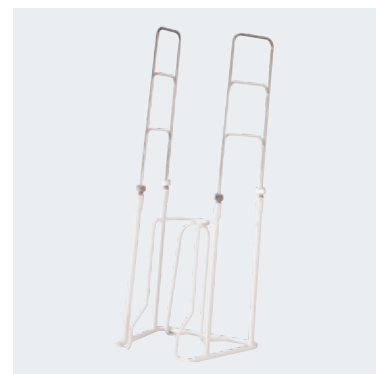
medi Butler with long handles

### medi Butler with variable handles

---

The donning aid for stocking wearers with considerably restricted freedom of movement. The handle length can be adjusted between 37 and 58 cm. The stirrup width is 11 cm.

**Article No.** 6900051000



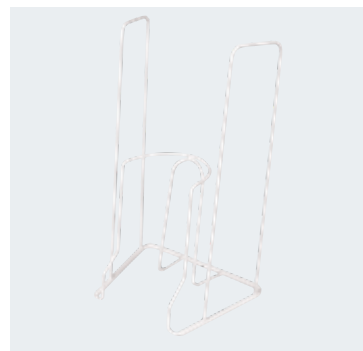
medi Butler with variable handles

### medi Big (XXL) Butler

---

The stirrup of the medi Big Butler has a larger diameter. This makes allowance for larger circumferences which are often associated with less freedom of movement. The handle length is 44 cm. The stirrup width is 15 cm.

**Article No.** 6900102000



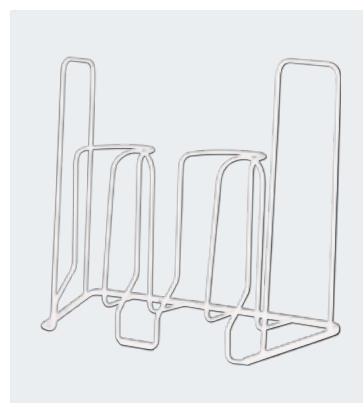
medi Big (XXL) Butler

### medi Butler for pantyhose

---

The medi pantyhose Butler eases donning of compression pantyhose. The handle length is 48 cm. The stirrup width is 11 cm.

**Article No.** 6900055000



medi Butler for pantyhose

### medi Hospitalbutler

---

Adjustable diameter with hard paint finish coating. The stirrup width is 11 cm.

**Article No.** 6900062000



medi Hospitalbutler

### medi Arm Butler

---

The medi Arm Butler eases donning of compression armsleeves.

**Article No.** 6900057000



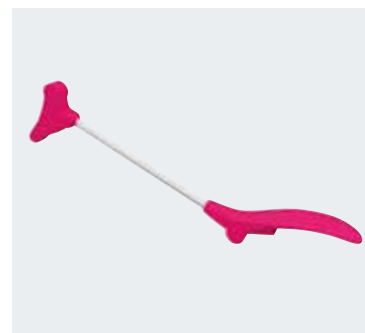
medi Arm Butler

## medi Butler Off

---

Quick and easy doffing of stockings, socks and medical compression stockings, without bending over. Not recommended for mediven forte.

Article No.	Description
6900362000	medi Butler Off



medi Butler Off

## Dressing aid

---

Easy-on-slipper, one size fits all.

Article No.	Description
6900022000	Dressing aids (unit with 40 pieces)



Easy-on-slipper

## medi 2in1

---

- Your compression stocking glides up over your heel effortlessly
- For all garment lengths
- For open and closed toes
- Hard-wearing and tear-resistant
- Light and folds up – very compact and portable

Article No.	Description
6900013000	medi 2in1



medi 2in1

## Rubber gloves

- Sizes: small, medium, large and x-large
- Material: 100 % Latex

Article No.	Description			
6901022000	rubber gloves	S	6,5-7	1 pair
6901023000	rubber gloves	M	7,5-8	1 pair
6901024000	rubber gloves	L	8,5-9	1 pair
6901025000	rubber gloves	XL	9,5-10	1 pair
6901122000	rubber gloves	S	6,5-7	12 pairs / carton
6901123000	rubber gloves	M	7,5-8	12 pairs / carton
6901124000	rubber gloves	L	8,5-9	12 pairs / carton
6901125000	rubber gloves	XL	9,5-10	12 pairs / carton

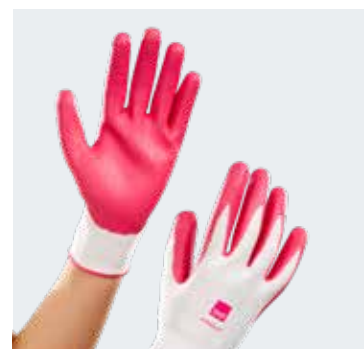


Rubber gloves

## medi textile gloves with latex

- These gloves facilitate putting on, arranging and positioning compression garments on legs and arms.
- Material: 40% polyester, 60% latex

Article No.	Description		
6903022000	medi textile gloves	small	1 pair
6903023000	medi textile gloves	medium	1 pair
6903024000	medi textile gloves	large	1 pair
6903122000	medi textile gloves	small	12 pairs / carton
6903123000	medi textile gloves	medium	12 pairs / carton
6903124000	medi textile gloves	large	12 pairs / carton



medi textile gloves