

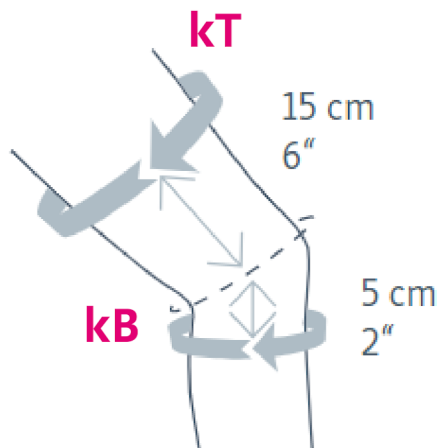
Genumedi® E+motion®

Performance Knee Brace Size Charts

All measures are cm

Standard Size	1	2	3	4	5	6	7
(kT) Thigh	37 - 40	40 - 43	43 - 46	46 - 49	49 - 52	52 - 55	55 - 58
(kB) Lower-leg	25 - 28	28 - 31	31 - 34	34 - 37	37 - 40	40 - 43	43 - 46

Extra-wide Size	3	4	5	6	7
(kT) Thigh	46 - 49	49 - 52	52 - 55	55 - 58	58 - 61
(kB) Lower-leg	31 - 34	34 - 37	37 - 40	40 - 43	43 - 46



Measure the circumference around the areas using a tape measure

kT = Thigh - Measure 15cm above the knee **kB = Knee** - Measure 5cm below the knee cap