



WF46BB6700

SAMSUNG

Bespoke 4.6 cu. ft. Large Capacity AI Smart Dial Front Load Washer with Super Speed Wash



Available Colors

-  **Brushed Navy**
WF46BB6700AD
-  **Brushed Black**
WF46BB6700AV

Features

- Bespoke Design
- Super Speed Wash
- AI Smart Dial
- MultiControl™
- ENERGY STAR® Most Efficient
- Shallow Closet-Depth Fit¹
- Large 4.6 cu. ft. Capacity
- Flexible Installation
- Wi-Fi Connectivity²
- Steam
- Antimicrobial Technology³
- Self Clean+
- Premium Tempered Glass Door
- Vibration Reduction Technology+
- Swirl+ Drum Interior
- ADA Compliant⁴
- 1200 RPM Maximum Spin Speed
- Direct Drive Motor
- 24 Total Washing Cycles
- 13 Options

Convenience

- Child Lock
- Dispenser Trays:
Main Wash, Softener, Bleach

Ratings



CEE Tier 3
IMEF = 3.1
IWF = 2.9
94 kWh/yr

Electrical Requirements

120 V / 60 Hz
15 Amps

Specifications

24 Total Washing Cycles:

Normal, Heavy Duty, Bedding, Permanent Press, Delicates, Activewear, Wool, Towels, Eco Cold, Rinse + Spin, Self Clean+, Small Load, Colors, Spin Only, Outdoor, Denim, Super Speed, Steam Sanitize, Steam Allergen, Steam Normal, Power Steam, Steam Whites, Steam Bulky, Power Rinse

13 Additional Washing Options:

Presoak, Extra Rinse, My Cycles, Delay End, Smart Control, Super Speed, Child Lock, AI Pattern, Alarm, Calibration, Wi-Fi, Language, Factory Reset

5 Temperature Settings:

Extra Hot, Hot, Warm, Cold, Tap Cold

7 Spin Settings:

Extra High, High, Medium, Low, Extra Low, No Spin, No Drain

5 Soil Settings:

Extra Heavy, Heavy, Normal, Light, Extra Light

Warranty

One (1) Year Parts and Labor
Three (3) Years Stainless Tub Part (Part Only)

Washing DIT (Digital Inverter Motor)
Motor Part (Part Only):

Ten (10) Years

Twenty (20) Years Limited to "U.S.-Assembled" Washers Only

Product Dimensions & Weight (WxHxD)

Dimensions: 27" x 38³/₄" x 31³/₈"

Weight: 202.8 lbs

Shipping Dimensions & Weight (WxHxD)

Dimensions: 29³/₈" x 43⁵/₁₆" x 34¹/₈"

Weight: 207.2 lbs

Washer	Model #	UPC Code
Brushed Navy	WF46BB6700AD	887276659763
Brushed Black	WF46BB6700AV	887276659770

Matching Electric Dryer

Brushed Navy	DVE46BB6700D	887276660035
Brushed Black	DVE46BB6700V	887276660059

Matching Gas Dryer

Brushed Navy	DVG46BB6700D	887276660141
Brushed Black	DVG46BB6700V	887276660158

Optional Accessories	Model #	UPC Code
Brushed Navy Pedestal	WE502ND	887276665276
Brushed Black Pedestal	WE502NV	887276665290
Brushed Black Riser	WE272NV	887276197630
Brushed Navy Bespoke Stacking and MultiControl™ Combo Kit	SKK-9MCD	887276667362
Brushed Black Bespoke Stacking and MultiControl™ Combo Kit	SKK-9MCV	887276667386

¹ Designed to fit a 38" installation depth.

² Requires wireless network, Samsung account and Samsung SmartThings App. The Samsung SmartThings App supports Android OS 4.0 (ICS) or later which is optimized for Samsung smartphones (Galaxy S and Galaxy Note series). This app also supports iOS 7 or later for iPhone models. Samsung SmartThings App available in App Store and Play Store.

³ Antimicrobial treatment does not protect users or other items against bacteria, viruses, germs, or other disease organisms.

⁴ ADA Compliant when using 27" wide riser. (Riser model codes: WE272NV, WE272NW, WE272NC)

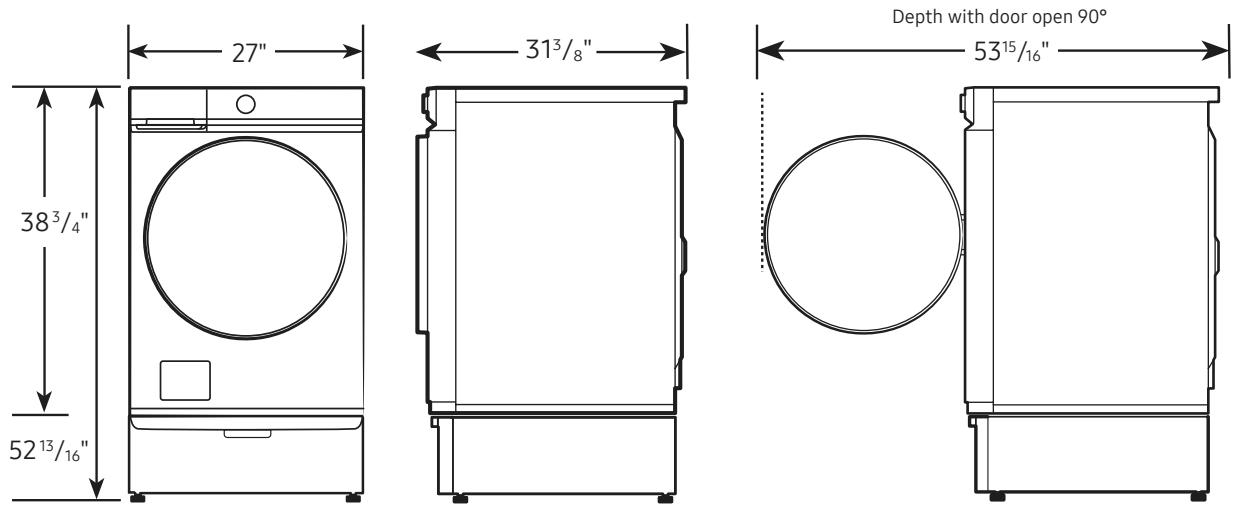
WF46BB6700



Bespoke 4.6 cu. ft. Large Capacity AI Smart Dial Front Load Washer with Super Speed Wash

Dimensions

Required dimensions for installation with pedestal:

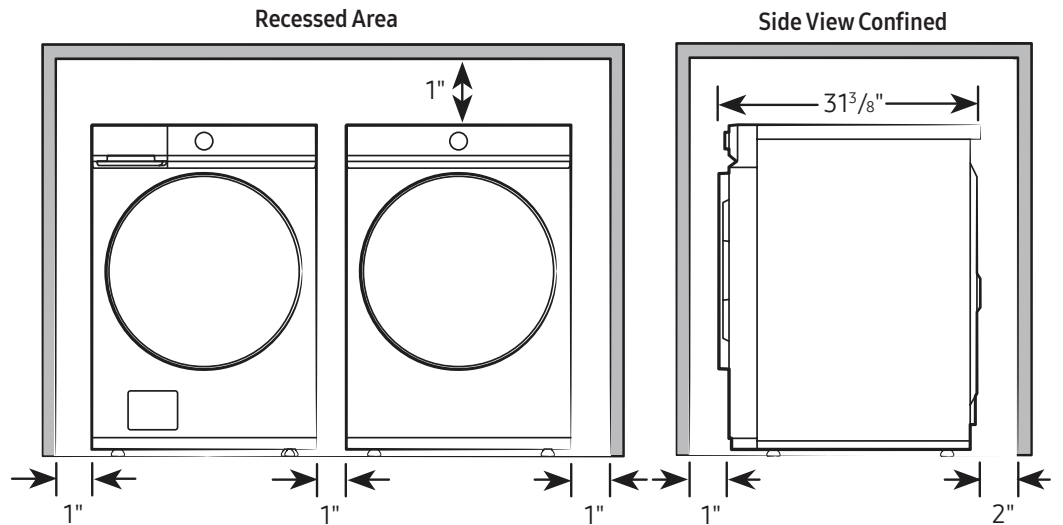


Installation Specifications – Side-by-Side

If the washer and dryer are installed together or the dryer alone, the closet front must have two unobstructed air openings for a combined minimum total area of 72-inch². Your washer alone does not require a specific air opening.

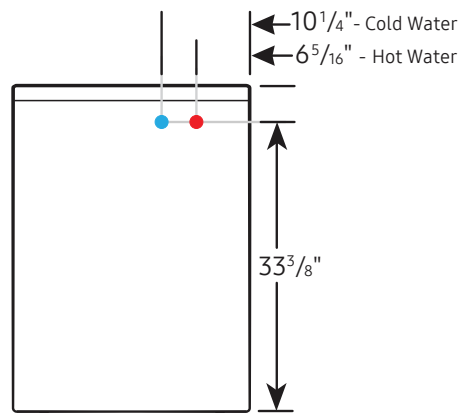
Alcove or closet installation

Minimum clearance for closet and alcove installations:



Connection Dimensions

Back view of washer



LEGEND:

- Cold Water Connection
- Hot Water Connection

Actual color may vary. Design, specifications, and color availability are subject to change without notice. Non-metric weights and measurements are approximate.

©2022 Samsung Electronics America, Inc., 85 Challenger Road, Ridgefield Park, NJ 07660. Tel: 800-SAMSUNG.samsung.com. Samsung is a registered trademark of Samsung Electronics Co., Ltd.

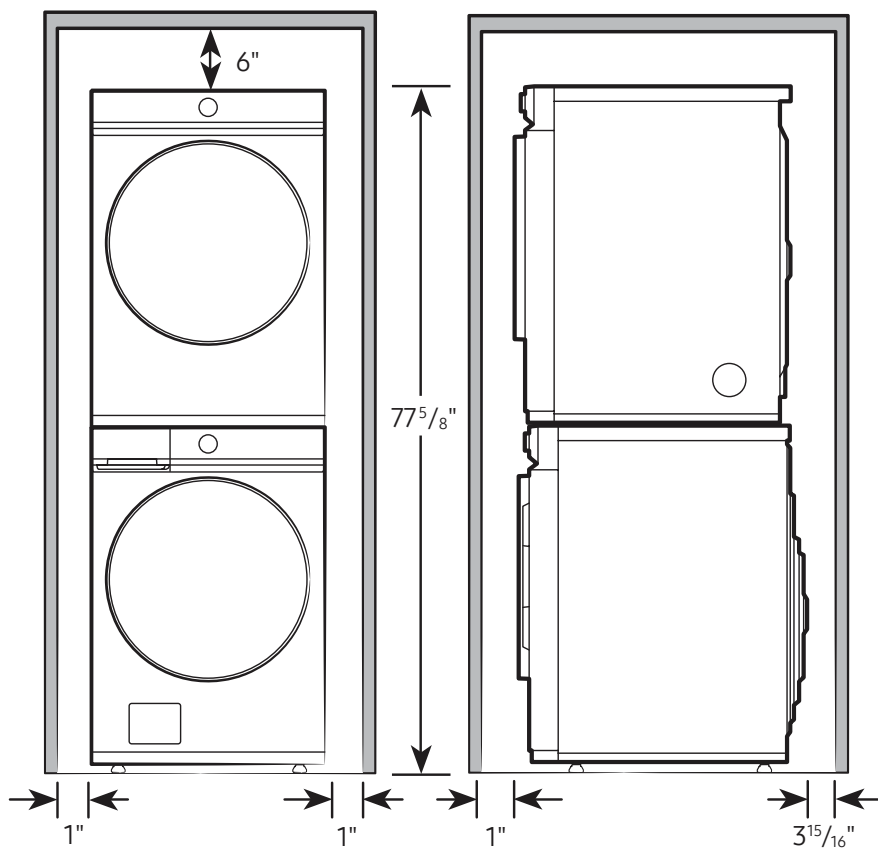
WF46BB6700

SAMSUNG

Bespoke 4.6 cu. ft. Large Capacity AI Smart Dial Front Load Washer with Super Speed Wash

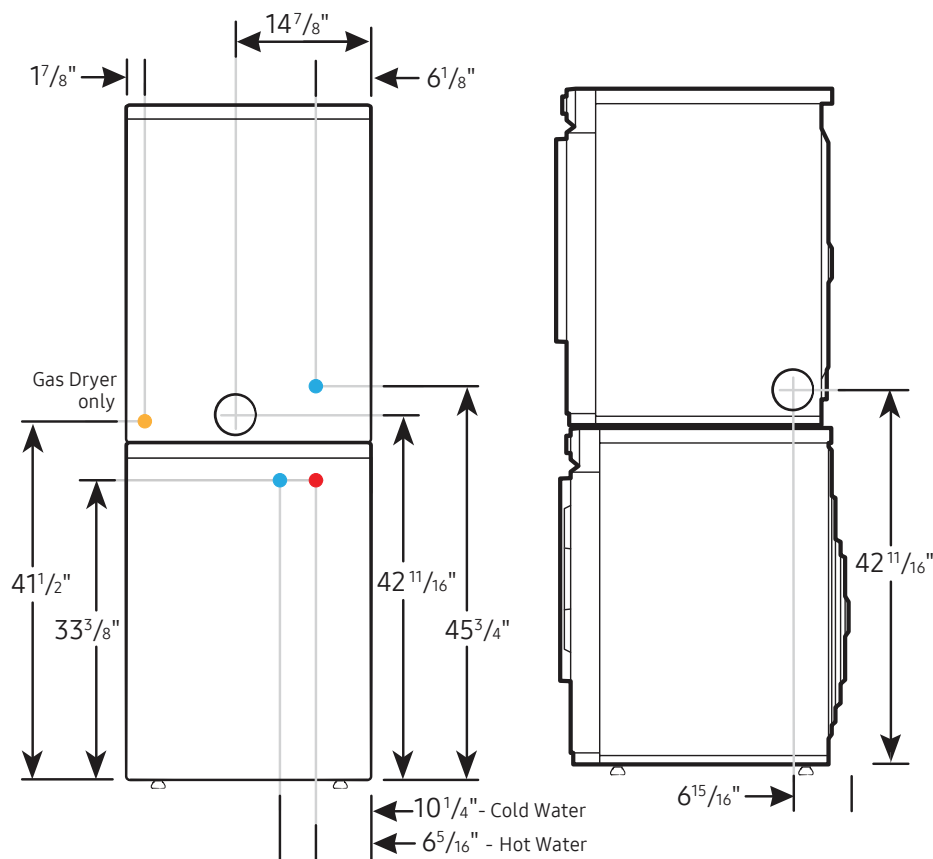
Installation Specifications – Stacked Pair

Clearances indicated are for stacked pairs. The closet front must have two unobstructed air openings for a combined minimum total area of 72-inch².



Connection Dimensions

Back and side views of stacked pair



LEGEND:

- Cold Water Connection
- Hot Water Connection
- Gas Connection

Actual color may vary. Design, specifications, and color availability are subject to change without notice. Non-metric weights and measurements are approximate.

©2022 Samsung Electronics America, Inc., 85 Challenger Road, Ridgefield Park, NJ 07660. Tel: 800-SAMSUNG. samsung.com. Samsung is a registered trademark of Samsung Electronics Co., Ltd.