

PULSE

PULSE 2000



REGISTER TODAY.

We are so glad that you have joined us on the journey to grilling greatness. Register your grill and gain access to fun and engaging WEBER information, including tips, tricks and how to get the most out of your grilling experience.



PHONE



APP



EMAIL



weber.com



54975

022522
enUS - English

IMPORTANT SAFEGUARDS

DANGER, WARNING, and CAUTION statements are used throughout this Owner's Manual to emphasise critical and important information. Read and follow these statements to help ensure safety and prevent property damage. The statements are defined below.

- △ **DANGER:** Indicates a hazardous situation which, if not avoided, will result in death or serious injury.
- △ **WARNING:** Indicates a hazardous situation which, if not avoided, could result in death or serious injury.
- △ **CAUTION:** Indicates a hazardous situation which, if not avoided, could result in minor or moderate injury.

California Proposition 65

- △ **WARNING:** This product can expose you to chemicals including nickel, which is known to the state of California to cause cancer. For more information go to www.P65Warnings.ca.gov.

TABLE OF CONTENTS

- 2 Welcome to WEBER
Important Safeguards
- 4 The WEBER Promise
Warranty
- 5 Assembly
Parts List
- 6 Product Features
PULSE 2000 Features
Feature Descriptions
- 8 Operation
Getting Started
Meat Probe Care
Meal-to-Meal Maintenance
- 11 Tips and Hints
Searing Setup
Roasting Setup
Dual Zone Grilling
Grilling Do's and Don'ts
- 13 Product Care
Deep Cleaning and Maintenance
- 14 Troubleshooting
- 15 Replacement Parts

- △ Read all instructions.
- △ Household use only.
- △ **CAUTION**
- △ To ensure continued protection against risk of electric shock, connect to properly grounded outlets only.
- △ Risk of electric shock, keep extension cord connection dry and off the ground.
- △ Hot surface.

Operation

When using electrical appliances, basic safety precautions should always be followed including the following:

- △ **DANGER**
- △ To protect against electrical shock do not immerse cord, plugs, portable appliances (or other specific part or parts) in water or other liquid.
- △ **WARNING**
- △ Use only outdoors in a well-ventilated area. Do not use in a garage, building, covered walkway, tent or any other enclosed area or beneath overhead combustible construction.
- △ Do not operate any appliance with a damaged cord or plug or after the appliance malfunctions or is dropped or damaged in any manner. Contact the Customer Service Representative in your area using the contact information on our web site. Log onto www.weber.com.
- △ Do not operate the unit if the electrical socket is damaged.
- △ Operate grill only on a level, heat-resistant surface.
- △ To prevent electric shock, do not spray any liquids heating elements.
- △ The use of accessories not recommended by WEBER may cause damage or injuries.
- △ Do not let cord hang over edge of table or counter or touch hot surfaces.
- △ Where applicable, always attach temperature controller to appliance and check that the control is OFF before plugging cord into wall outlet. To disconnect, turn the control to OFF, then remove plug from wall outlet.
- △ Do not use appliance for other than intended use.
- △ Fuel, such as charcoal briquettes, is not to be used with appliance.
- △ Use only on properly grounded outlet.

- △ Use extreme caution when removing tray or disposing of hot grease.
- △ Do not leave grill unattended when in use.
- △ Do not use as a heater.
- △ Do not use this barbecue unless all of the parts are in place and the barbecue was assembled according to the assembly instructions.
- △ Use this barbecue only as described in this manual. Misuse may cause fire, electric shock or injury.
- △ Do not build this model of grill in any built-in or slide-in construction.
- △ Your electric grill is not intended for installation in or on recreational vehicles, SUVs and/or boats.
- △ Do not use grill within 10 feet (3 m) of any body of water, such as a pool or pond.
- △ Do not use the grill within 24 inches (61 cm) of combustible materials. This includes the top, bottom, back and sides of the grill.
- △ Locate power cable away from traffic areas. Arrange the cable so that it will not be pulled or tripped over.
- △ **CAUTION**
- △ Do not exceed the wattage of the electrical socket.
- △ Make sure no other high wattage appliances are plugged into the same circuit when using grill.
- △ Do not touch surfaces that may be hot. Use handles or knobs provided.
- △ Close supervision is necessary when any appliance is used by or near children.
- Storage and/or Non-use
- △ **DANGER**
- △ Make sure appliance is OFF and remove plug from outlet when not in use, before putting on or taking off parts, and before cleaning. Allow to cool before handling.
- △ **WARNING**
- △ Always unplug by pulling the plug. Do not pull on the cable.
- △ **CAUTION**
- △ Store Temperature Controller indoors when not in use - out of the reach of children.
- △ Allow the appliance to cool before moving, cleaning or storing it.
- △ Cover the grill only when it is cool.

SAVE THESE INSTRUCTIONS

Grounding Instructions

This appliance shall be grounded while in use to protect the operator from electric shock. The appliance is equipped with a 3-conductor cord and a 3-prong grounding-type plug to fit the proper grounding-type receptacle. Plug into a GFI-protected outdoor receptacle, where available.

Extension Cords

⚠ CAUTION: To minimise the risk of property damage and/or personal injury, do not use an extension power-supply cable unless it conforms to the specifications listed in this manual.

- If it is necessary to use an extension cord it must be connected to a grounded socket. Plug type: NEMA 5-15R to NEMA 5-15P; Gauge: 16 AWG; Rating: 125 volts at 13 amps. The maximum length for the extension cord is 20 feet (6 meters). Keep the extension cord as short as possible.
- Keep the connections dry.
- Observe all local laws and regulations when using this appliance.
- Use only 3-wire extension cords that have 3-prong grounding-type plugs and 3-pole cord connectors that accept the plug from the appliance.
- Only extension cords surface marked with the suffix letter "W" and identified by the marking "Suitable for use with outdoor appliances" shall be used outdoors.
- Use only extension cords having an electrical rating not less than the rating of the appliance.
- Do not use damaged extension cords. Examine extension cord before using and replace if damaged. Do not abuse extension cord and do not tug on any cord to disconnect. Keep cord away from heat and sharp edges.
- The cord should be arranged so that it will not drape over the countertop or tabletop where it can be pulled on by children or tripped over unintentionally.

Weber Connect Technology

Visit www.weber.com to learn more about device compatibility and the languages supported by the WEBER CONNECT app. Please read this manual – especially the safety information – before using the device for the first time, and be sure to follow the instructions while using the device.

- Intended use: This appliance is for outdoor barbecuing use only and users must follow all safety and use guidelines as outlined in this Owner's Manual. Any other use may cause damage. The manufacturer or retailer are not liable for injuries/damage arising from improper use.
- Note: The device is not to be used by children or persons with reduced physical, sensory or mental capabilities.

**This appliance is rated for
120 V - 50/60Hz**

**Output Power (Watts):
PULSE 2000 = 1560 W**

**Use only WEBER PULSE
temperature controller plug.**

HELLO!

We are so glad that you have joined us on the journey to grilling happiness. Please take some time to read through this Owner's Manual to ensure that you are up and grilling quickly and easily. We want to be with you for the life of your grill, so please take just a couple of minutes to register your grill. When you sign up for a WEBER-ID as part of your registration, we will deliver special grill-related content just for you to enjoy.


So, come along and join us online, on your smart device or however else you'd like to stay in touch.

Thank you for choosing WEBER.

We are happy you are here.



Even your grill can
update its status

- 1 DOWNLOAD THE FREE APP** 
- 2 INSERT PROBE**
- 3 CONNECT AND MONITOR**
- 4 PERFECT RESULTS**

FEATURE	BENEFIT
REMOTE GRILL MONITOR	WI-FI AND BLUETOOTH® GRILL MONITORING Remote grilling access gives you the freedom to walk away and monitor the heat from your smart device.
STEP-BY-STEP GRILLING	PERFECTLY GRILLED FOOD Know when it's time to flip, rest, and serve directly from your smart device. Receive notifications on everything from when it's time to flip food, to a countdown that displays when it's ready.
APP ENABLED FOOD THERMOMETERS	INSTANT FOOD STATUS READOUT View food temperature & doneness without lifting the lid. The food probes monitor doneness from beginning to end and will notify you via the app when it's time to flip, rest, and serve.
RECIPES & INSTRUCTION	WEBER RECIPES Weber recipes that provide real time, step-by-step grilling instructions specific to your cook preference and cut of meat. Personalize the recipe by selecting flavor enhancers, doneness level, and type of meat.
LED DISPLAY	TEMPERATURE READOUT The easy to read, weather proof LED screen displays grill temperatures, along with connectivity indications.



The WEBER Promise (5 year voluntary warranty)

At WEBER, we pride ourselves on two things: making grills that last and providing a lifetime of excellent customer service.

Warranty

Thank you for purchasing a WEBER product. Weber-Stephen Products LLC, 1415 S. Roselle Road, Palatine, Illinois 60067 and its Americas Business units ("WEBER") pride ourselves on delivering a safe, durable, and reliable product.

This is WEBER's Voluntary Warranty provided to you at no extra charge. It contains the information you will need to have your WEBER product repaired or replaced in the unlikely event of a failure or defect.

Pursuant to applicable laws, the Owner has several rights in case the product is defective. Those rights include supplementary performance or replacement, abatement of the purchasing price, and compensation. These and other statutory rights remain unaffected by this Warranty provision. In fact, this Warranty grants additional rights to the Owner that are independent from statutory Warranty provisions.

WEBER's Voluntary Warranty

WEBER warrants, to the purchaser of the WEBER product (or in the case of a gift or promotional situation, the person for whom it was purchased as a gift or promotional item) ("Owner"), that the WEBER product is free from defects in material and workmanship for five (5) years from the date of purchase when assembled and operated in accordance with the accompanying Owner's Manual, normal wear and tear excluded. (Note: If you lose or misplace your WEBER Owner's Manual, a replacement is available online at www.weber.com.) WEBER agrees within the framework of this warranty to repair or replace the part that is defective in material or workmanship subject to the limitations, and exclusions listed below. TO THE EXTENT ALLOWABLE BY APPLICABLE LAW, THIS WARRANTY IS EXTENDED ONLY TO THE ORIGINAL PURCHASER AND IS NOT TRANSFERABLE TO SUBSEQUENT OWNERS, EXCEPT IN THE CASE OF GIFTS AND PROMOTIONAL ITEMS AS NOTED ABOVE.

WEBER stands by its products and is happy to provide you with the Warranty described for material defects in the grill or its relevant components, normal wear and tear excepted.

- 'Normal wear and tear' includes cosmetic and other immaterial deterioration that may come with ownership of your grill over time, such as surface rust, dents / scratches, etc.

However, WEBER will honor this Warranty for the grill or its relevant components where damage or dysfunction results from a material defect.

- 'Material defect' includes rust through or burn through of certain parts, or other damage or failure inhibiting your ability to safely / properly use your grill.

Owner's Responsibilities Under this Warranty / Exclusion of Warranty

To ensure trouble-free Warranty coverage, it is important (but not required) that you register your WEBER product online at www.weber.com. Please also retain your original sales receipt and/or invoice. Registering your WEBER product confirms your warranty coverage, will expedite any Warranty claims you may need to make, and provides a direct link between you and WEBER in case we need to contact you. If you have not had time to register your grill before calling for Warranty service, please have the following information available when you do call: Name – Address – Phone Number – Email – Serial Number – Purchase Date – Purchase Dealer – Model – Color – Primary Issue

The above warranty only applies if the Owner takes reasonable care of the WEBER product by following all assembly instructions, usage instructions, and preventative maintenance as outlined in the accompanying Owner's Manual, unless the Owner can prove that the defect or failure is independent of non-compliance with the above mentioned obligations. If you live in a coastal area, or have your product located near a pool, maintenance includes regular washing and rinsing of the exterior surfaces as outlined in the accompanying Owner's Manual.

This WARRANTY lapses if there are damages, deteriorations, discolorations, and/or rust for which WEBER is not responsible caused by:

- Abuse, misuse, alteration, modification, misapplication, vandalism, neglect, improper assembly or installation, and failure to properly perform normal and routine maintenance;
- Insects (such as spiders) and rodents (such as squirrels);
- Exposure to salt air and/or chlorine sources such as swimming pools and hot tubs/spas;
- Severe weather conditions such as hail, hurricanes, earthquakes, tsunamis or surges, tornadoes or severe storms.
- Acid rain and other environmental factors

The use and/or installation of parts on your WEBER product that are not genuine WEBER parts will void this Warranty, and any damages that result hereby are not covered by this Warranty.

Warranty Processing

If you believe that you have a part which is covered by this Warranty, please contact WEBER Customer Service using the contact information on our website (www.weber.com). WEBER will, upon investigation, repair or replace (at its option) a defective part that is covered by this Warranty. In the event that repair or replacement are not possible, WEBER may choose (at its option) to replace the grill in question with a new grill of equal or greater value. WEBER may ask you to return parts for inspection, shipping charges to be pre-paid by Owner.

Disclaimers

APART FROM THE WARRANTY AND DISCLAIMERS AS DESCRIBED IN THIS WARRANTY STATEMENT, THERE ARE EXPLICITLY NO FURTHER WARRANTY OR VOLUNTARY DECLARATIONS OF LIABILITY GIVEN HERE WHICH GO BEYOND THE STATUTORY LIABILITY APPLYING TO WEBER. THE PRESENT WARRANTY STATEMENT ALSO DOES NOT LIMIT OR EXCLUDE SITUATIONS OR CLAIMS WHERE WEBER HAS MANDATORY LIABILITY AS PRESCRIBED BY STATUTE.

NO WARRANTIES SHALL APPLY AFTER THE FIVE (5) YEAR PERIOD OF THIS WARRANTY. NO OTHER WARRANTIES GIVEN BY ANY PERSON, INCLUDING A DEALER OR RETAILER, WITH RESPECT TO ANY PRODUCT (SUCH AS ANY "EXTENDED WARRANTIES"), SHALL BIND WEBER. THE EXCLUSIVE REMEDY OF THIS WARRANTY IS REPAIR OR REPLACEMENT OF THE PART OR PRODUCT.

IN NO EVENT UNDER THIS VOLUNTARY WARRANTY SHALL RECOVERY OF ANY KIND BE GREATER THAN THE AMOUNT OF THE PURCHASE PRICE OF THE WEBER PRODUCT SOLD.

YOU ASSUME THE RISK AND LIABILITY FOR LOSS, DAMAGE, OR INJURY TO YOU AND YOUR PROPERTY AND/OR TO OTHERS AND THEIR PROPERTY ARISING OUT OF THE MISUSE OR ABUSE OF THE PRODUCT OR FAILURE TO FOLLOW INSTRUCTIONS PROVIDED BY WEBER IN THE ACCOMPANYING OWNER'S MANUAL.

PARTS AND ACCESSORIES REPLACED UNDER THIS WARRANTY ARE WARRANTED ONLY FOR THE BALANCE OF THE ABOVE MENTIONED ORIGINAL FIVE (5) YEAR WARRANTY PERIOD.

THIS WARRANTY APPLIES TO PRIVATE SINGLE FAMILY HOME OR APARTMENT USE ONLY AND DOES NOT APPLY TO WEBER GRILLS USED IN COMMERCIAL, COMMUNAL OR MULTI-UNIT SETTINGS SUCH AS RESTAURANTS, HOTELS, RESORTS, OR RENTAL PROPERTIES.

WEBER MAY FROM TIME TO TIME CHANGE THE DESIGN OF ITS PRODUCTS. NOTHING CONTAINED IN THIS WARRANTY SHALL BE CONSTRUED AS OBLIGATING WEBER TO INCORPORATE SUCH DESIGN CHANGES INTO PREVIOUSLY MANUFACTURED PRODUCTS, NOR SHALL SUCH CHANGES BE CONSTRUED AS AN ADMISSION THAT PREVIOUS DESIGNS WERE DEFECTIVE.

**Weber-Stephen Products LLC
Customer Service Center
1415 S. Roselle Road
Palatine, IL 60067
U.S.A.**

**For replacement parts, call:
1-800-446-1071**

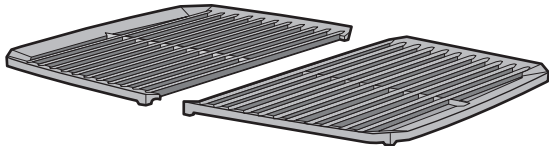


REGISTRATION = WARRANTY

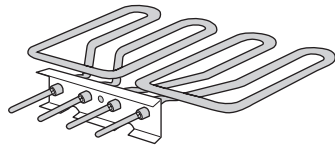
PULSE 2000



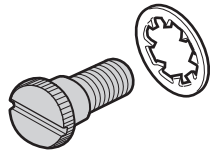
Food Probe and Cable Wrap



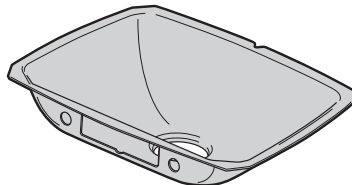
Porcelain-Enamelled Cast Iron Cooking Grates



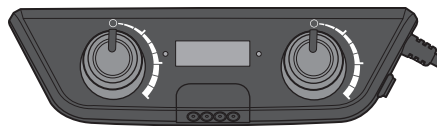
Heating Element Assembly



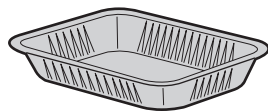
Heating Element Thumb Screws



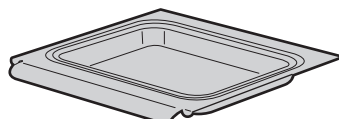
Removable Bowl Liner



PULSE 2000
Temperature Controller



Disposable Drip Tray



Slide-Out Catch Pan

Assembly

These instructions will give you the minimum requirements for assembling your WEBER electric grill. Improper assembly can be dangerous.

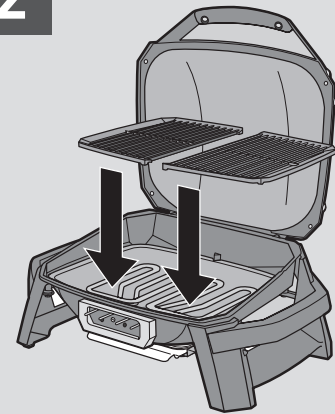
⚠ WARNING: Do not modify the appliance. Modifications are unsafe and will void your warranty.

- Any parts sealed by the manufacturer must not be opened or altered by the user.
- Do not cover any parts of the grill with aluminum foil. It may negatively impact the performance of your grill.

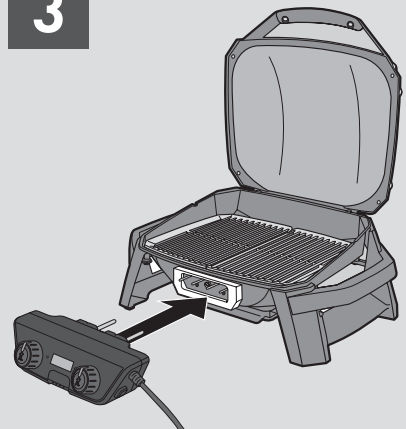
1



2

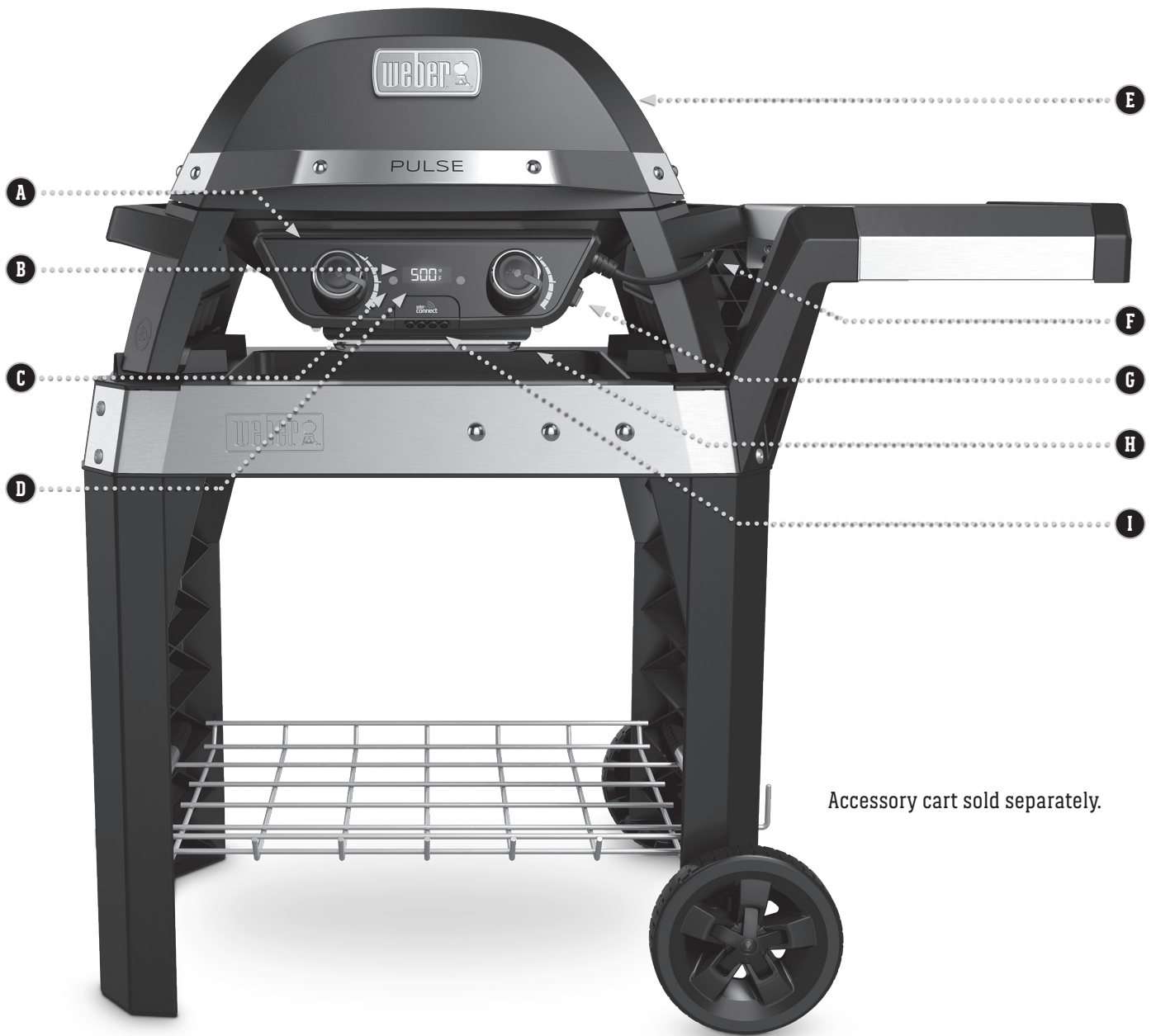


3



The grills that are illustrated in this Owner's Manual may vary slightly from the model purchased.

PULSE 2000 Features



Accessory cart sold separately.

- A** Removable Temperature Controller
- B** Digital Thermometer
- C** Temperature Status Indicator Light(s)
- D** Wi-Fi and Bluetooth® Status Indicator Lights

- E** Tall Lid
- F** Cable Routing
- G** Power On/Off Button
- H** Grease Management System
- I** Food Probe Ports for WEBER CONNECT Technology



TAKES LESS THAN TWO MINUTES

Feature Descriptions

Removable Temperature Controller

The temperature controller is designed to be easily removed in order to make storage and cleaning easy. The controller should be stored indoors in the box provided.

Digital Thermometer

An LED screen serves as a digital thermometer displaying the grill temperature. This ensures a precise and accurate temperature reading of your grill.

Status Indicator Lights

The PULSE has red status indicator lights on the temperature controller to let you know that your grill is heating up and when it is ready to barbecue.

Indicator lights on the LED screen illuminate when the controller has connected to a Wi-Fi network, or when the grill has successfully paired with your with your Bluetooth® enabled smart device.

Tall Lid

The lid of the grill is tall enough to provide ample room for barbecuing whole chickens and roasts.

Cable Routing

An integrated clip on the right leg of the grill allows for easy routing of the cable from the temperature controller to the back of the grill.

Power On/Off Button

The push-button on/off switch is easy to use. When the temperature controller is on, the button is recessed and when it is off, the button protrudes.

Grease Management System

The grease management system helps with the removal of grease and is designed to help prevent flare-ups. Drippings that are not vaporized are funneled into the drip tray, which is located within the catch pan under the cookbox.

Food Probe Ports for WEBER CONNECT Technology

Confidently tend to the grill and your guests while using the integrated WEBER CONNECT feature which employs food probes allowing you to monitor the temperature of your food and your grill from across the garden or inside your kitchen via your Wi-Fi network, or your smart device's Bluetooth® connection.

The app allows you to view, on your mobile device, the real-time core temperature of the food and the temperature of your grill. Once you've downloaded the WEBER CONNECT app, connect the food probes from your grill to the food. From the app you have the ability to change the display on the Temperature controller to Fahrenheit or Celsius.

Removable Components for Easy Cleaning

Cooking grates, bowl liner and grease tray are removable for easy cleaning. The bowl liner is dishwasher safe.

Porcelain-Enamelled Cast Iron Cooking Grates

Porcelain-enamelled cast iron cooking grates evenly retain heat to create those beautiful sear marks that we all strive for. The heat retention quality of the cast iron creates a faster recovery time after the lid has been lifted.

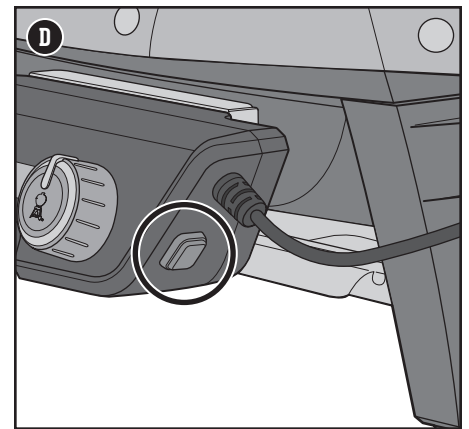
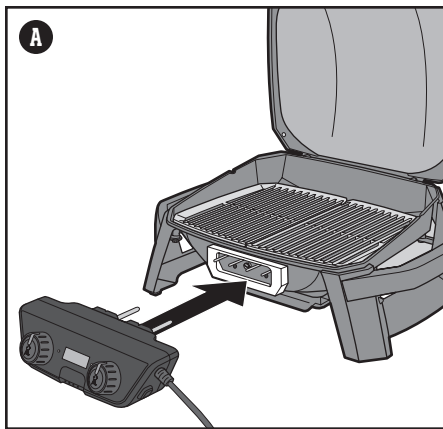
Dual Zone Grilling

Simultaneously grill different foods in two temperature zones. Sear a steak over high heat on one side of the grill while your side dish cooks slowly over low heat on the other side of the grill.

Getting Started

Attach Temperature Controller

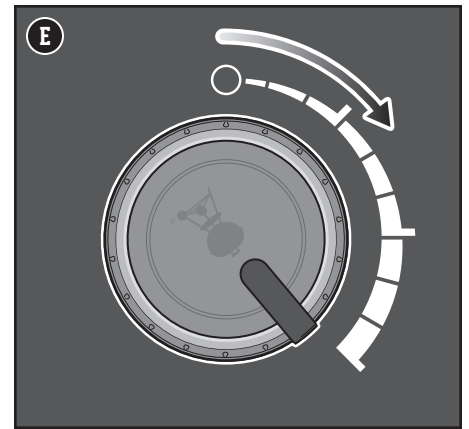
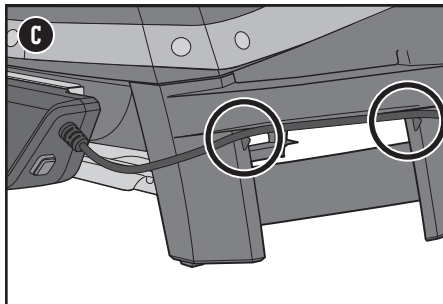
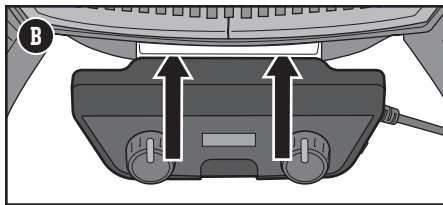
- 1) Plug the temperature controller into the grill by pushing it straight onto the mounting bracket (A). Do not force the temperature controller into the mounting bracket. Ensure that the heating element pins are aligned with temperature controller for proper attachment (B).
- 2) Route the power cable under the right handle and secure it in the cable clips (C).
- 3) Make sure that red power button located on the right side of the temperature controller is in the OFF position.
- 4) Plug the power cable into an grounded socket.



Preheat the Grill

Preheating the grill is critical to successful barbecuing. Preheating helps to prevent food from sticking to the cooking grate and gets the cooking grate hot enough to sear properly. It also burns off residue of a previously-cooked meal.

- 1) Push the red power button located on right side of temperature controller to turn ON the grill (D).
- 2) Turn the temperature control knob(s) to the high position by turning them clockwise. The digital LED screen will display the temperature of the grill.
- 3) Preheat the grill with the control knob(s) in the high position (E). The red status indicator lights will flash to indicate that the grill is preheating and the temperature display will increase as the grill heats up. When the selected temperature setting is reached, the temperature controller will beep momentarily. The status indicator lights will stop flashing and remain lit. When the temperature registers 500°F (260°C) the grill is preheated. This will take approximately 20 to 30 minutes depending on ambient conditions.
- 4) To grill at a lower temperature: Preheat as outlined above. Turn the knob counter-clockwise to the desired setting. Start barbecuing.



Reference the grilling guides in the WEBER CONNECT app for approximate grilling times and settings for the cuts of meats listed (adjust for conditions).

Ambient Conditions

Grilling in a colder climate or at a higher altitude will extend your cooking time. Sustained wind will lower the grill's internal temperature. Place grill so wind blows against the front of the grill.

Perform an Initial Burn-Off

Heat the grill on the highest setting, with the lid closed, for at least twenty minutes prior to grilling for the very first time.

⚠ WARNING

- ⚠ Use heat-resistant grill mitts or gloves when operating grill.
- ⚠ Should a grease fire occur, close the lid, turn the power button off, unplug the grill from the socket and leave the lid closed until the fire is extinguished. Do not use liquid to extinguish flames.

WEBER CONNECT App



First things first.

Download the WEBER CONNECT app.

To fully activate and update your new PULSE grill, it is important to first download the WEBER CONNECT app.

Download, connect and register to receive:

- Flip and Serve Notifications
- Food Readiness Countdowns
- Custom Food Doneness Alerts
- Step-by-step Grilling Assistance

Connecting Your Grill To Bluetooth® or Wi-Fi Network

To connect your WEBER PULSE grill via Bluetooth® or to your local Wi-Fi network, follow these steps:

NOTE: WEBER recommends that your smart device be running the latest version of its operating system before attempting to connect your grill to Bluetooth® or your Wi-Fi network.

- 1) Push the red power button located on right side of temperature controller to turn ON the grill.
- 2) Verify that your smart device is connected to Bluetooth® or your local Wi-Fi network.
- 3) From your smart device, download the new WEBER CONNECT app from the App Store on Apple devices, or the Play Store on Android devices.
- 4) Open the WEBER CONNECT app and follow the in-app instructions for connecting to your PULSE grill.

NOTE: In order to successfully connect your smart device to your grill via a local Wi-Fi network, first make sure your grill is paired via Bluetooth® and that your grill is within range of your Wi-Fi router. If your attempts to connect have been unsuccessful, try moving the grill within range of the Wi-Fi router or adding a signal extender for a stronger signal.

Grilling with Food Probes

Use the included food probes to monitor of your WEBER PULSE for the perfect food, every time.

Please follow these steps for using food probes:

- 1) Once the grill has been preheated, open the grill lid and clean the cooking grates using a grill brush or scraper, then set the control knobs to the desired grill temperature.
- 2) Place your food on the grates.
- 3) Plug in the food probe(s) to the port of the temperature controller (F) and, using heat resistant grill mitts or gloves, route food probe cables through the side channel on the grill (G).
- 4) Insert food probe(s) into the center of the thickest part of your food.
- 5) Close the grill lid.
- 6) From the WEBER CONNECT app, select a desired food to cook or select a Cook Program. You will receive a notification when your food has reached the set temperature(s) and your cook has ended.

Probe Usage

The colored probe indicators are for visual identification of the probe(s) within the app.

- To ensure an accurate reading, please insert the probe a minimum depth of 0.4 inches (10 mm) into the center of the meat (H). For poultry, it's best to place the probe in the thickest part of the thigh or breast, avoiding the bone. For thick cuts of flat meat, insert the probe into the middle of the meat from the top or the sides.

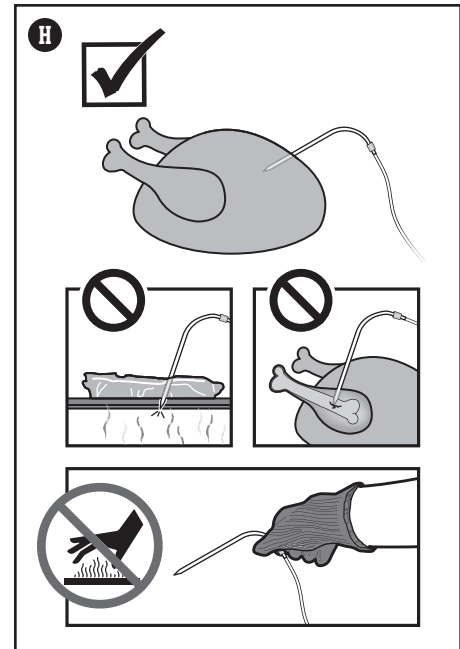
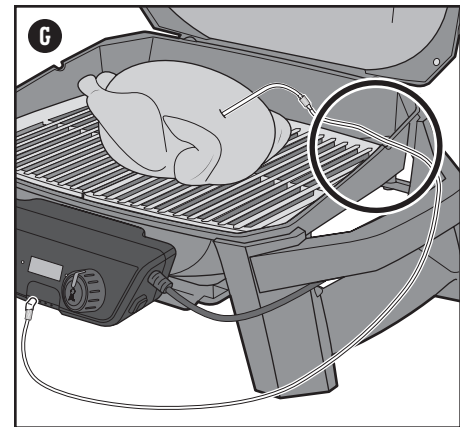
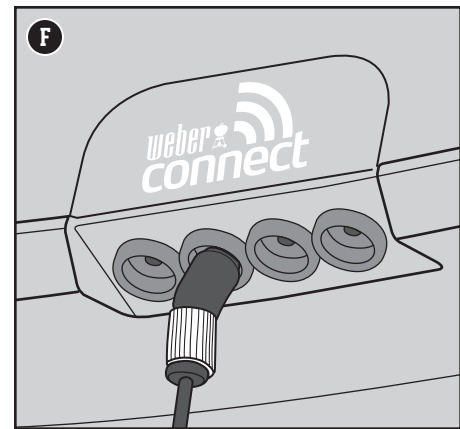
To ensure safe usage of the meat probe and to prevent damage to the probe:

- Do not expose the probe or its wiring to direct contact with the cooking grate.
- Route food probe cables through the side channel on the grill to ensure that the grill lid closes.
- Do not submerge the probe or its wiring in liquid.
- Probe is not dishwasher safe.

Important Note: When using probe, be sure to route wire where it will not be exposed to flames or temperatures exceeding 715° F (380° C). Avoid exposing probe to temperatures below -22° F (-30° C). Temperatures below -22° F (-30° C) or above 572° F (300° C) will not display in the app and will cause the probe to disappear from connection.

Cool Down

When finished grilling, turn control knob(s) off, unplug the power cable and allow the temperature controller to cool. Remove the temperature controller and store indoors in the storage box when not in use.



⚠ WARNING

⚠ Risk of injury! The probes are very sharp. Please be careful when handling probes.

⚠ Risk of burns! Handling the food probes without hand protection will result in severe burns. The colored probe indicators are not intended to be touched with bare hands while using the grill as they are not heat-insulated. Please wear heat-resistant gloves at all times while using this product in order to avoid being burned.

Meal-to-Meal Maintenance

Keep it Clean

Accumulated dirt and grease may reduce grill performance. Factors such as altitude, wind and outside temperature can affect cooking times.

Check for Grease

Your grill was built with a grease management system that funnels grease away from food and into a disposable container. As you cook, grease is channeled down to the slide-out catch pan and into a disposable drip pan that lines the catch pan. This system should be cleaned each and every time you grill in order to prevent fires.

- 1) Confirm that the grill is off and cool.
- 2) Unplug and remove temperature controller by pulling it side-to-side slightly until it releases from the mounting bracket (A).
- 3) Remove the slide-out catch pan by pulling it forward (B).
- 4) Check for grease in the disposable drip pan that lines the slide-out catch pan. Discard disposable drip pan when necessary and replace with a new one.
- 5) Reinstall all components.

Clean the Cooking Grate

After preheating, any bits of food or debris left over from previous use will be easier to remove. Clean cooking grates will also prevent your next meal from sticking.

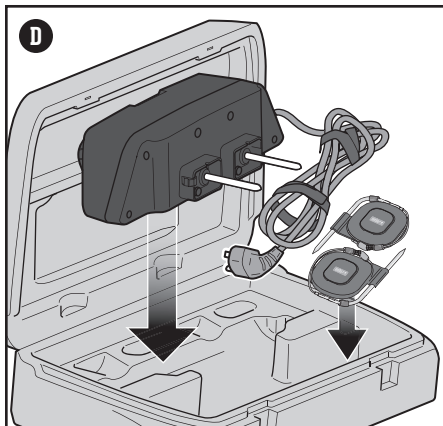
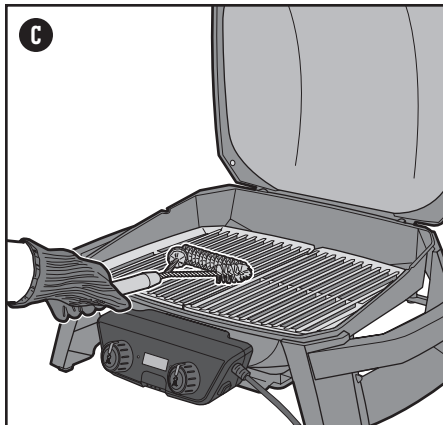
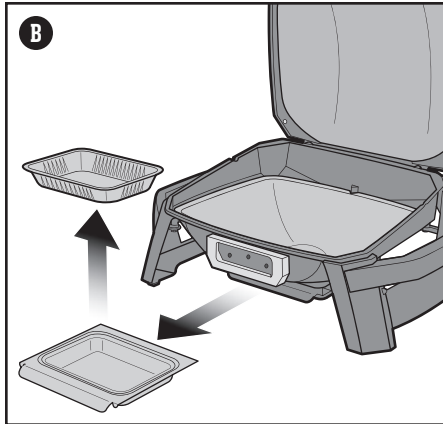
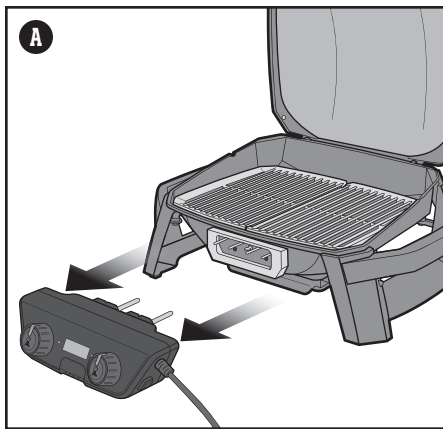
- 1) Brush the cooking grates with a stainless steel bristle grill brush immediately after preheating (C).

Cleaning the Temperature Controller

Wipe down temperature controller with a microfiber cloth dampened with water. Do not use cleaners or brushes as they will scratch the surface. Never use glass cleaners on plastic. It will damage the surface.

Storing the Temperature Controller

Allow the temperature controller and probes to cool before wiping them clean. Store the temperature controller and food probes indoors in the storage box provided (D).



⚠ WARNING

- ⚠ The grill should be thoroughly cleaned on a regular basis.
- ⚠ Do not line the slide-out catch pan or any part of the grill with aluminum foil.
- ⚠ Use caution when removing catch pan and disposing of hot grease.
- ⚠ Check the slide-out catch pan for grease build-up before each use. Remove excess grease to avoid a grease fire.
- ⚠ Grill brushes should be checked for loose bristles and excessive wear on a regular basis. Replace brush if any loose bristles are found on cooking grates or brush. WEBER recommends purchasing a new stainless steel bristle grill brush at the beginning of every spring.

⚠ CAUTION

- ⚠ Temperature controller should be removed from grill and stored in the box and indoors when grill is not in use - out of the reach of children.

Food Probe Care

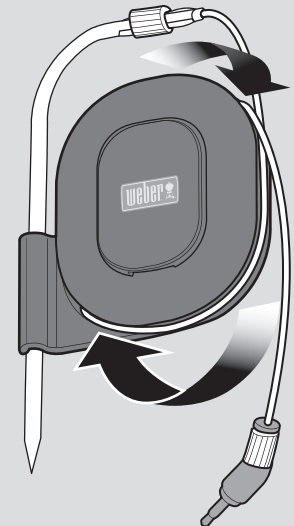
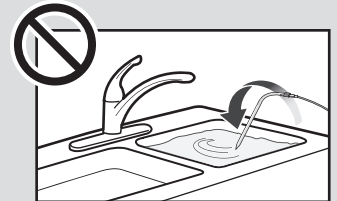
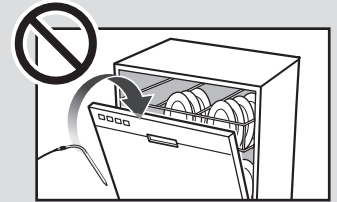
Cleaning the Food Probe

Clean probe before first use. The probes should be cleaned by wiping them down with a damp cloth.

The probes are not dishwasher safe. The probes are not waterproof and damage may result from water exposure. Never submerge the probes in water. Take care not to expose the wiring of the probes or the area where the probes' wiring meets the probe to liquid.

Probe Wrap

Neatly wrap the probe when it is not in use. Store the probe in the storage box with the Temperature controller.

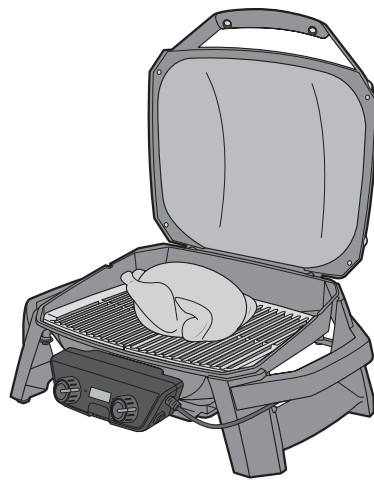




Searing Setup

Turn the control knob(s) to the high setting and preheat the grill to 500°F (260°C). Brush the cooking grates clean with a stainless steel bristle grill brush.

Adjust setting to the temperature noted in the recipe. Place food on cooking grates and close the lid of the grill. Turn your food only once during the grilling time. Lift the lid only to turn the food or check for the doneness at the end of the recommended grilling time.

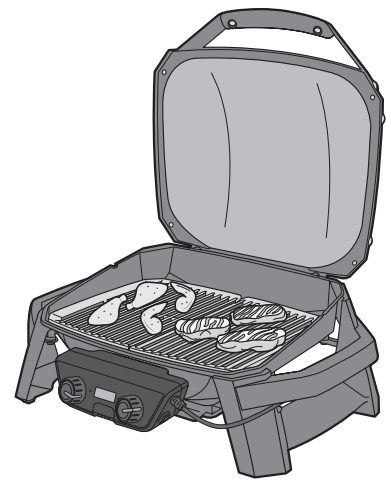


Roasting Setup

Turn the control knob(s) to the high setting and preheat the grill to 500°F (260°C). Brush the cooking grates clean with a stainless steel bristle grill brush.

Reduce heat by turning control knob(s) to medium.

Place large foods, such as whole chickens or roasts, horizontally in the center of the grill.



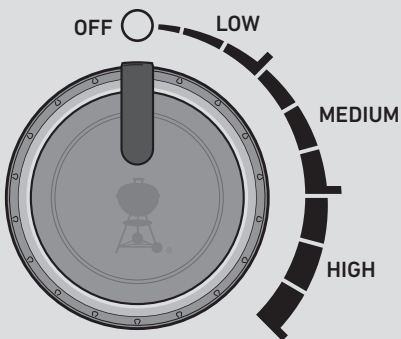
Dual Zone Grilling

Turn the control knobs to the high setting and preheat the grill to 500°F (260°C).

Adjust the temperature of each control knob to the preferred setting for each zone. Brush the cooking grates clean with a stainless steel bristle grill brush.

If you are grilling one item for longer than the other, it is recommended that you adjust both control knobs to the preferred temperature of the first item to be grilled and place the item on the left side of the grill. Ten minutes prior to adding the second item, adjust the temperature of the right control knob to the preferred cooking temperature and allow the temperature in the area to adjust. Please note that the temperature controller will display the average temperature inside of the grill and not the individual zones.

Turn your food only once during the grilling time. Lift the lid only to turn the food or check for the doneness at the end of the recommended grilling time.



PULSE Grill Temperature Range:

LOW between 200° and 300°F (93° - 149°C)

MEDIUM between 350° and 450°F (176° - 232°C)

HIGH between 500° and 600°F (260° - 316°C)

⚠ WARNING

⚠ To avoid overheating, this appliance must not be covered by any solid or flexible material such as an aluminum tray, aluminum foil or trays made of other heat resistant material. Any item must be placed centrally on the grill to allow sufficient ventilation. Larger coverage with such items or materials on the grate would impair the safety of the product and could lead to serious damage.

Grilling Do's and Don'ts

Preheat grill each and every time.

If the cooking grates are not hot enough, the food will stick and you will likely never have a chance of searing your food properly or developing those handsome sear marks. Even if a recipe calls for medium or low heat, always preheat the grill on highest setting first.

Don't grill on dirty grates.

Placing food onto the cooking grates before they have been cleaned is never a good idea. Left over residue on the grates acts like glue, binding it to the grates and to your food. To avoid tasting last night's dinner on today's lunch, make sure that you are barbecuing on a clean cooking grate. Once the grates are preheated, use a stainless steel bristle grill brush to make a clean, smooth surface.

Be present in the process.

Before starting your grill, make sure that everything you need is within arm's reach. Don't forget your essential barbecuing tools, such as oiled and seasoned food, glazes or sauces and clean cooking platters for the cooked food. Having to run back to your kitchen not only means missing out on the fun, but it could also result in burning your food. French chefs call this 'mise en place' (meaning, 'put in place'). We call it 'being present'.

Create a little elbow room.

Packing too much food onto the cooking grates restricts your flexibility. Leave at least one-quarter of the cooking grates clear with plenty of space between each food item in order to get your tongs in there and easily move the food around. Sometimes barbecuing involves split-second decisions and the need to move food from one area of the grill to another. So give yourself enough room to grill.

Try not to peek.

The lid on your grill is for more than just keeping the rain out. Most importantly, it's for preventing too much air from getting in and too much heat and smoke from getting out. When the lid is closed, the cooking grates are hotter, the cooking times are faster and the smoky tastes are stronger. Use the WEBER CONNECT app to quickly monitor the heat of your grill and the core temperatures of your food so that you don't need to open the grill until it's time for dinner. So put a lid on your grill!

Only flip once.

What's better than a juicy steak with a deep sear and plenty of beautifully-caramelised bits? The key to accomplishing these results is to keep your food in place. Sometimes we have the tendency to flip our food before it reaches the desired level of color and flavour. In nearly all cases, you should turn food just once. If you are moving it more than that, you are probably also opening the lid too often which causes its own set of problems. So step back and trust the grill.

FCC COMPLIANCE STATEMENT

CAUTION: Changes or modifications not expressly approved could void your authority to use this equipment

This device complies with Part 15 of the FCC Rules. Operation to the following two conditions:

- (1) This device may not cause harmful interference, and
- (2) this device must accept any interference received, including interference that may cause undesired operation

FCC RADIO FREQUENCY (RF) EXPOSURE

This equipment complies with FCC radiation exposure limits set forth for an uncontrolled environment. The user should avoid prolonged exposure within 20cm of the antenna, which may exceed the FCC radio frequency exposure limits.

INDUSTRY CANADA STATEMENT

This device complies with Industry Canada license-exempt RSS standard(s). Operation is subject to the following two conditions:

- (1) this device may not cause interference, and
- (2) this device must accept any interference, including interference that may cause undesired operation of the device.

Le présent appareil est conforme aux CNR d'Industrie Canada applicables aux appareils radio exempts de licence. L'exploitation est autorisée aux deux conditions suivantes :

- (1) l'appareil ne doit pas produire de brouillage, et
- (2) l'utilisateur de l'appareil doit accepter tout brouillage radioélectrique subi, même si le brouillage est susceptible d'en compromettre le fonctionnement.

Deep Cleaning and Maintenance

CLEANING THE INSIDE OF THE GRILL

Over time, the performance of your grill can diminish if it has not been maintained properly.

Low temperatures, uneven heat and food sticking to cooking grates are all signs that cleaning and maintenance are overdue. When your grill is off and cool, start by cleaning the inside from the top down.

A thorough cleaning is recommended after every five cooks. Consistent use may require more frequent cleanings.

Cleaning the Lid

From time to time you may notice 'paint-like' flakes on the inside of the lid. During use, grease and smoke vapours slowly change into carbon and deposit on the inside of your grill's lid. These deposits will eventually peel and look very similar to paint. These deposits are non-toxic, but the flakes could fall onto your food if you do not clean the lid regularly.

- 1) Use a plastic scraper to remove carbonised grease from inside the lid (A).

Cleaning the Bowl Liner and Cookbox

Look inside the cookbox for any grease accumulation or leftover food particles. Excessive accumulation can cause a fire.

It is recommended to use gloves when removing heating elements as they will be dirty.

- 1) Remove the temperature controller.
- 2) Remove cooking grates (B).
Do not use metal brushes to clean heating elements.
- 3) Remove the heating elements by turning the thumb screw(s) on the front of the grill counterclockwise until the screw releases (C).
- 4) Slide the heating elements towards the back of the grill. Taking care not to bend the heating element, tilt it upwards and remove it (D).
- 5) Use a plastic scraper to scrape debris off of the sides and bottom of the bowl liner into the opening in the bottom of the cookbox (E). This opening funnels debris into the slide-out catch pan.
- 6) Remove and clean the slide-out catch pan. Refer to 'Meal-to-Meal Maintenance'.

The bottom liner of the grill can be removed and washed with warm soapy water. The bowl liner is dishwasher safe. Take care not to bend the bowl liner. After cleaning, reinstall the bowl liner. Do not operate the grill without the bowl liner.

To reinstall the heating elements, insert the heating elements into the corresponding holes inside the front of the grill. Reattach by turning thumb screws to the right. Do not over-tighten.

Clean heating elements by allowing food to burn off.

CLEANING THE OUTSIDE OF THE GRILL

The outside of your grill may include aluminum, stainless steel and plastic surfaces.

WEBER recommends the following methods based on the surface type:

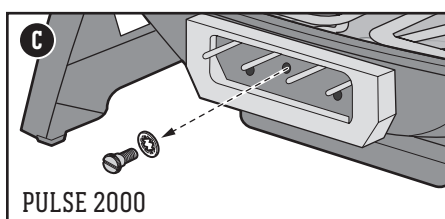
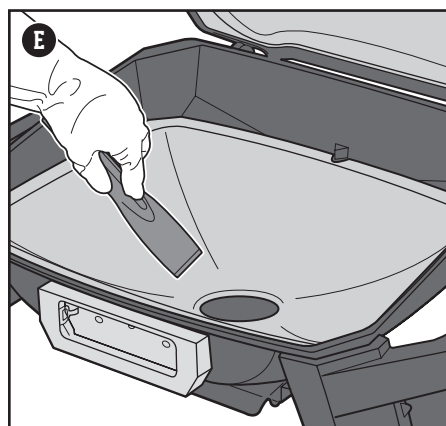
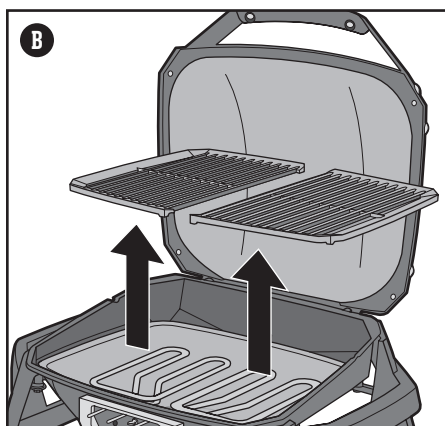
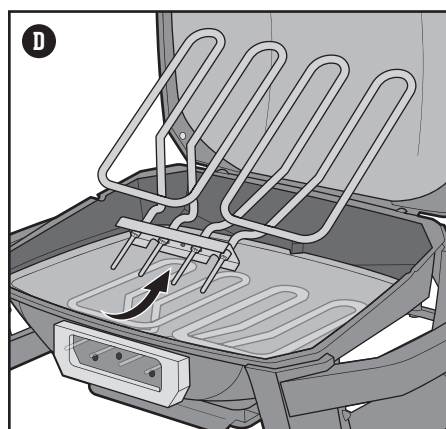
Cleaning Stainless Steel Surfaces

Clean stainless steel using a grease-cutting soap. Use a microfibre cloth to clean in the direction of the grain of the stainless steel. Rinse with clear water and dry thoroughly. Do not use paper towels. Do not use bleach or chlorinated cleaning products on stainless steel.

Note: Do not risk scratching your stainless steel with abrasive pastes. Pastes do not clean or polish. They will change the color of the metal by removing the top chromium oxide film coating.

Cleaning Painted Surfaces and Plastic Components

Clean painted and plastic components with grease-cutting soap. Rinse with clear water and dry thoroughly.



Cleaning the Outside of Grills that are in Unique Environments

If your grill is subject to a particularly harsh environment, you will want to clean the outside more often. Acid rain, pool chemicals and salt water can cause surface rusting to appear. Wipe down the outside of your grill with warm soapy water. Follow up with a rinse and thorough drying. Additionally, for stainless steel parts only, you may want to apply a stainless steel polish cleaner weekly to prevent surface rust.

⚠ WARNING

- ⚠ Turn your grill off and wait for it to cool before thoroughly cleaning it.
- ⚠ Do not spray liquid on heating element or controller.
- ⚠ Do not immerse in water when cleaning.

⚠ CAUTION

- ⚠ Disconnect the appliance from the supply circuit and remove the temperature controller before performing cleaning and maintenance.
- ⚠ Do not use any of the following to clean your grill: abrasive stainless steel polishes or paints, cleaners that contain acid, mineral spirits or xylene, oven cleaner, abrasive cleaners (kitchen cleaners) or abrasive cleaning pads.
- ⚠ Do not use metal brushes to clean heating elements. Allow food to burn off during preheating.

⚠ WARNING

⚠ Do not attempt to make any repair to electric components or structural components without contacting Weber-Stephen Products LLC, Customer Services Department.

⚠ Failure to use genuine Weber-Stephen parts for any repair or replacement will void all warranty protection.

ELECTRIC GRILL DOES NOT TURN ON

SYMPTOM

- Heating element does not heat when following the instructions in the 'Operation' section of this Owner's Manual.

CAUSE

The temperature controller may not be properly inserted into the housing.

There is a problem with the power flowing from the socket.

The GFI safety device that is built-in to the temperature controller may have interrupted the power to the grill.

SOLUTION

Remove and reinstall temperature controller. Always plug the temperature controller into the grill before plugging power cable into the socket.

Check the electrical power supply.

If the digital thermometer display and the temperature status indicator light(s) are not on, move the red power button on the temperature controller to the OFF position in order to 'reset' the GFI safety device. Wait 30 seconds, then move the red power button to the ON position.

ERROR CODE APPEARS ON DISPLAY

SYMPTOM

- During start-up or barbecuing, an error code appears on the digital display.

CAUSE

The temperature controller is a device that is sensitive to certain external factors. Variations in power supply or radio frequency may affect operation.

SOLUTION

First, turn the temperature controller off using the red power button. Unplug the power cable from the power outlet and remove the temperature controller from the grill.

Wait 30 seconds, then attach the temperature controller fully onto the grill before plugging the power cable into the outlet. Move the red power button to the ON position.

ELECTRIC GRILL IS EXPERIENCING CONNECTIVITY ISSUES

SYMPTOM

- Wi-Fi is having trouble maintaining connectivity with a Wi-Fi network.

CAUSE

Grill is out of range of the Wi-Fi network signal.

SOLUTION

In order to successfully connect your smart device to your local Wi-Fi network, your grill must be within range of your Wi-Fi router. If your attempts to connect have been unsuccessful, try moving the grill within range of the Wi-Fi router or adding a signal extender for a stronger signal.

SYMPTOM

- Bluetooth® is having trouble maintaining connectivity or pairing with a smart device.

CAUSE

Bluetooth® is a short range signal only.

Bluetooth® has already paired to another smart device.

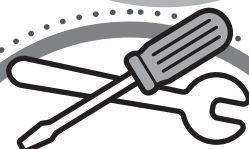
SOLUTION

When the temperature controller is on, it is ready to pair. Make sure that Bluetooth® on the smart device is turned on and that the device is near the grill.

If the Bluetooth® indicator light is on but is not flashing, it means that it is already paired to a smart device. Turn off Bluetooth® on any smart device that you do not wish to have paired to the grill.

CALL CUSTOMER SERVICE

If you are still experiencing any problems, contact the Customer Service Representative in your area using the contact information that can be found on weber.com.

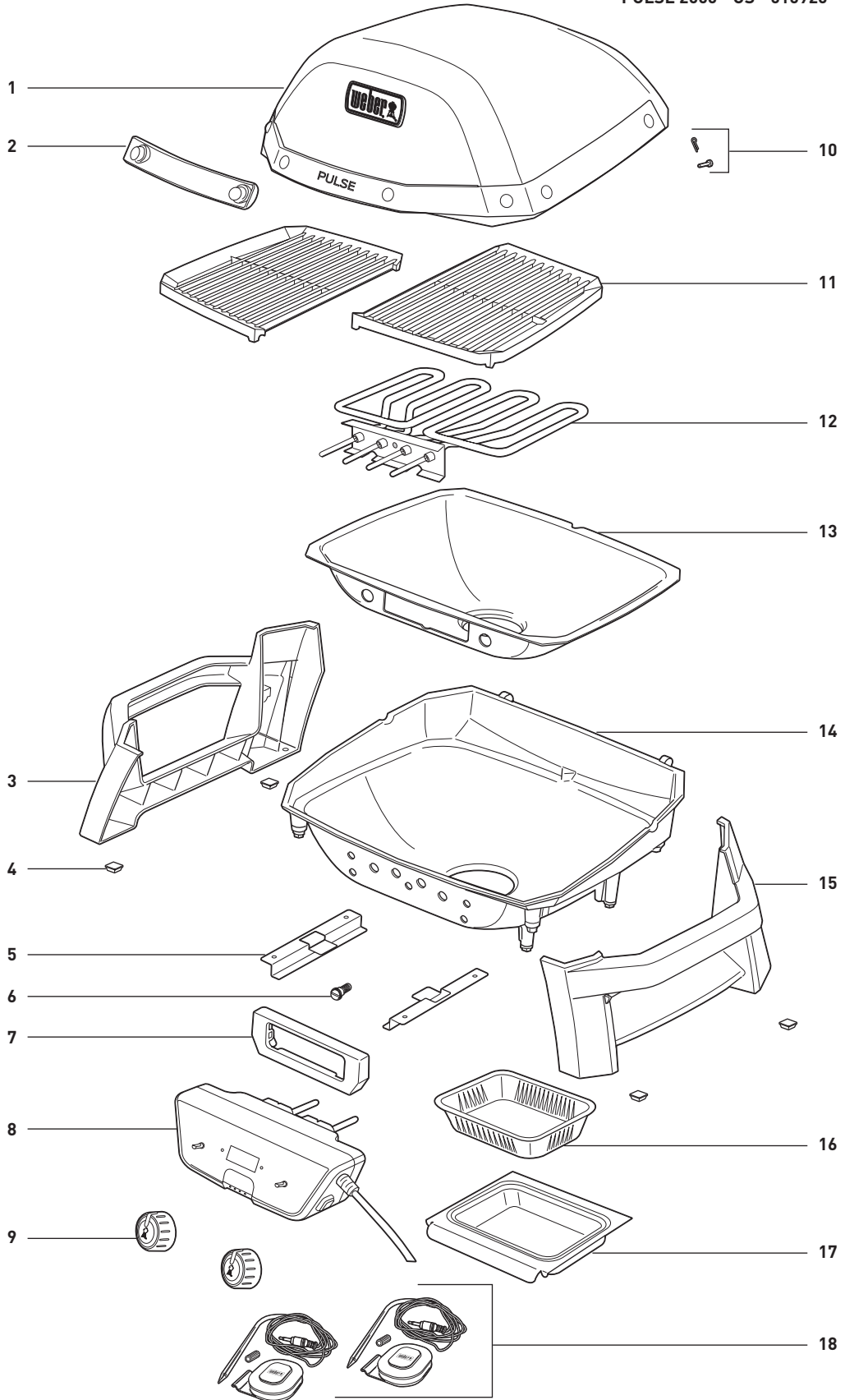


REPLACEMENT PARTS

To obtain replacement parts, contact the local retailer in your area or log onto weber.com.



DON'T FORGET TO REGISTER





SERIAL NUMBER



Write your grill's serial number in the box above for future reference. The serial number appears on the data label that is located on the right leg of the grill frame.

U.S.:
1-800-446-1071

Canada:
1-800-446-1071



weber.com



Apple and the Apple logo are trademarks of Apple Inc., registered in the U.S. and other countries. App Store is a service mark of Apple Inc. Android is a trademark of Google LLC. Google Play and the Google Play logo are trademarks of Google LLC.

The Bluetooth® word mark and logos are registered trademarks owned by Bluetooth SIG, Inc. and any use of such marks by Weber-Stephen Products LLC is under license. Other trademarks and trade names are those of their respective owners.

© 2020 Designed and engineered by Weber-Stephen Products LLC, 1415 S. Roselle Road, Palatine, Illinois 60067 USA.