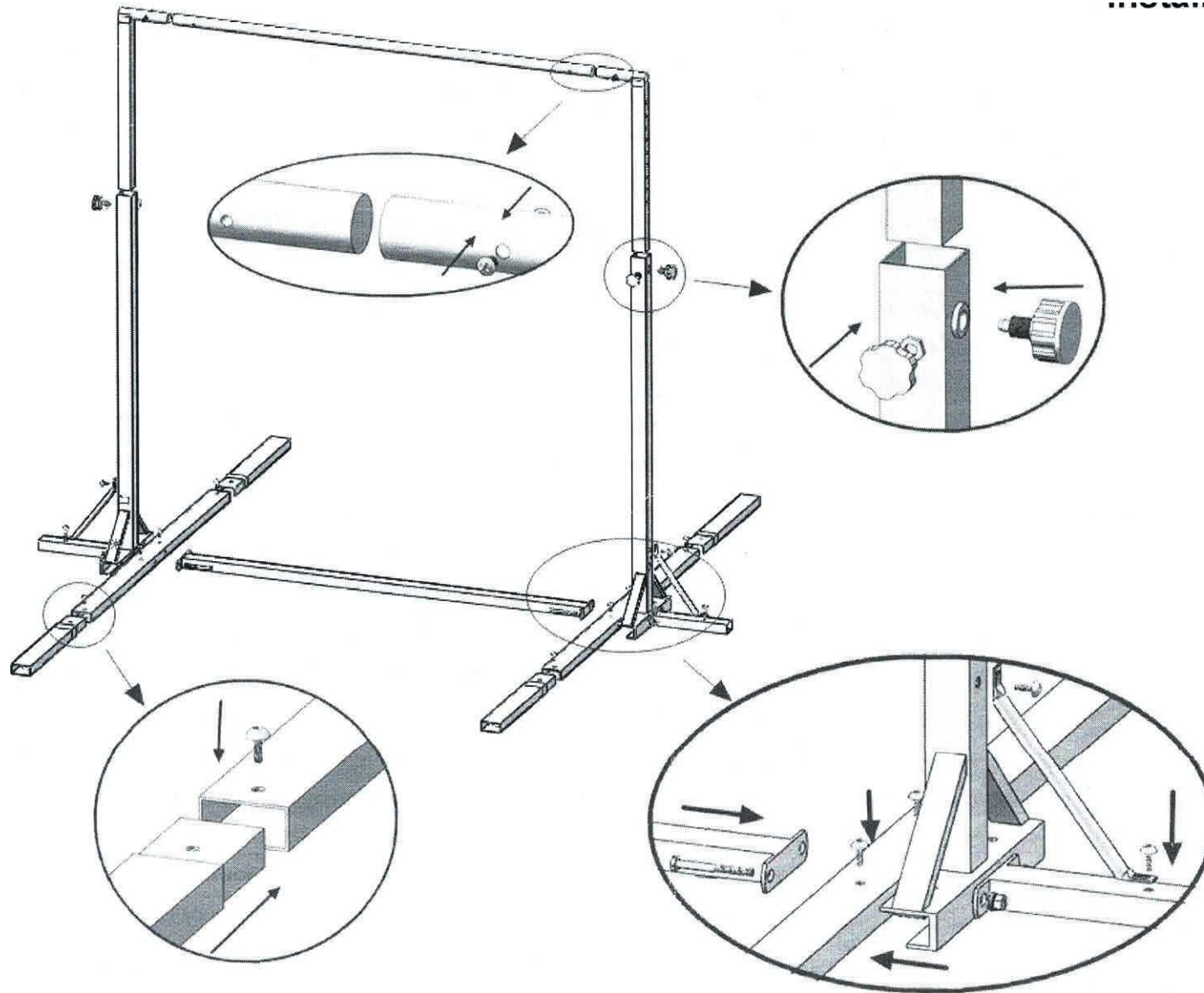


INSTALLATION



• Bolt
/ Spring
washer
/ Flat
washer.

Components

1. Tiny bolt for crossbar with bolt cap-----2 sets
2. Short bolts with washer for post and connection 4 sets
3. Long for extension-----m-----8 sets
4. Spring assisted pin+ dead locking bolt-----2 sets
5. Extra base support with tiny post support-----2 sets
6. Base post 2+ silver L pipe 2+ crossbar 1
7. Base 2+ extension 4+connection 1

Steps

1. Check all the components and fittings.
2. Install posts to base(half tighten the bolts).
3. Connect connection and extra base+ post support in place (half tighten the bolts).
4. Fix crossbar to silver L pipe(dead tighten the bolt).
5. Insert silver L pipe to base pipe and assemble spring assisted pin+ dead locking bolt.
6. Pull the spring pin to adjust height (make sure adjust two posts together).
7. Loosen the silver bolt to slide post along base.
8. Deadlock all bolts and finish the installation.

WARNING

- Please keep the bar away from humid environment to prolong the life time.
- This equipment must be used with proper mats, spotting equipment, and qualified spotters for each activity or skill.
- Know your limitations and the limitations of your equipment. Consult a qualified instructor before attempting new activity or skill.
- Do not attempt to repair damaged or worn equipment or components yourself. Contact the manufacture to arrange for proper repair or replacement by a qualified professional.
- Test unit for stability prior to each use. Do not use it if you have any concerns about the stability, condition or suitability of this equipment.
- Inspect each component for damage, loose _fittings or signs of wear before each use. Do not use if you have any concerns as to the condition of this equipment.
- Use this equipment only for its intended purpose. Do not modify equipment in any way.
- Before each subsequent use, re-check stability and settings of this equipment.
- Remember that no equipment can eliminate the possibility of injuries.
- This equipment is to be used only by properly trained, qualified persons under supervised conditions. Use without proper supervision is dangerous and should never be undertaken nor permitted.
- Manufacturer shall not be liable or responsible for personal injury or property damages incurred through use of this equipment.