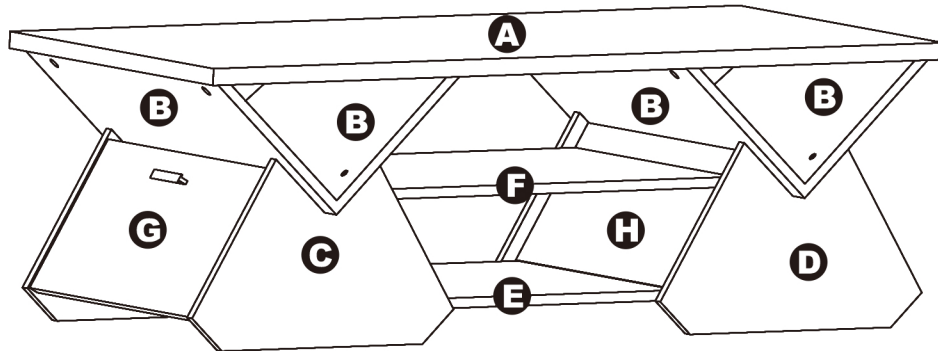


COFFEE TABLE

ASSEMBLY INSTRUCTIONS

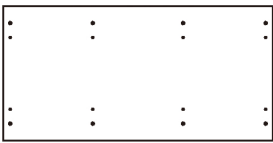
Please keep for future reference

PARTS LIST



ITEM SIZE :47.24" (W) X 23.62" (D) X16.93" (H)

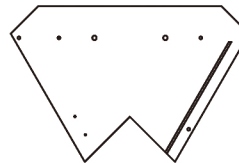
A 1PCS



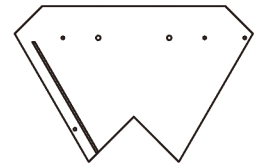
B 4PCS



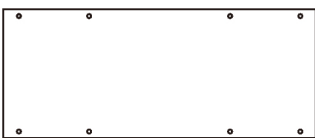
C 2PCS



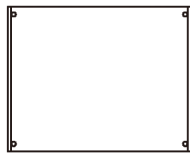
D 2PCS



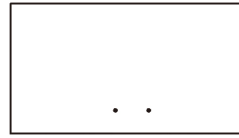
E 1PCS



F 1PCS



G 2PCS



H 2PCS



HARDWARE LIST

① 12PCS



② 16PCS



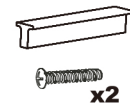
③ 8PCS



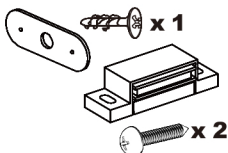
④ 4PCS



⑤ 2 SETS



⑥ 2 SETS



⑦ 8PCS



⑧ 4PC



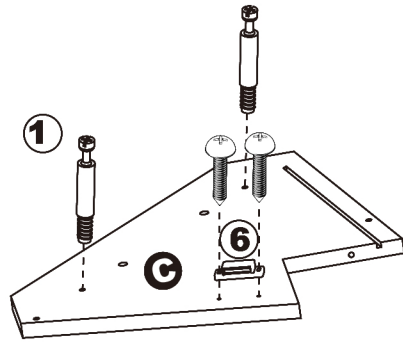
⑨ 1PC



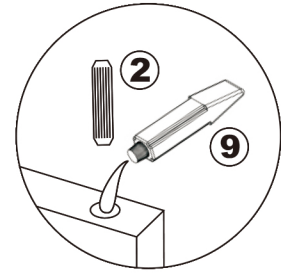
⑩ 1PCS



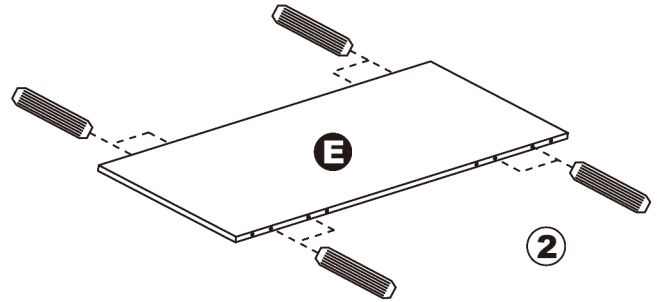
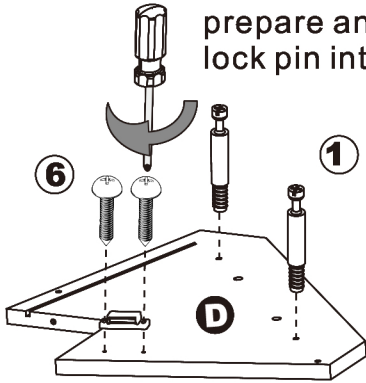
STEP : 1



prepare and insert wood dowels into panels



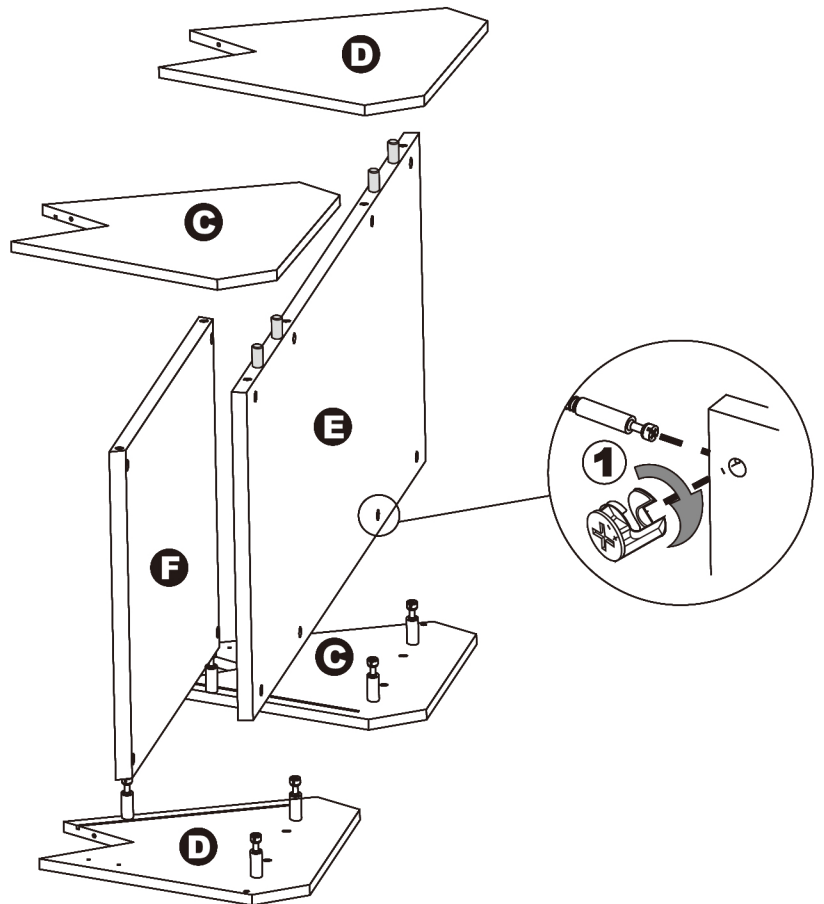
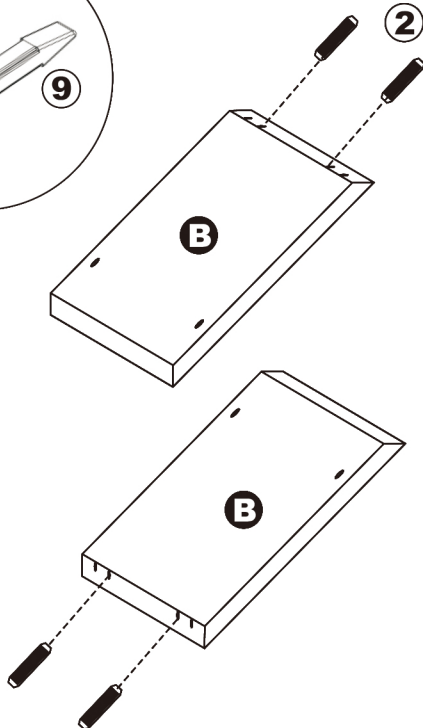
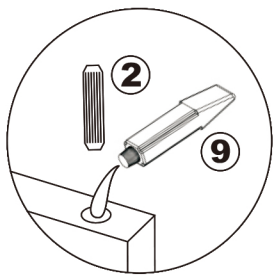
prepare and screw cam lock pin into panels



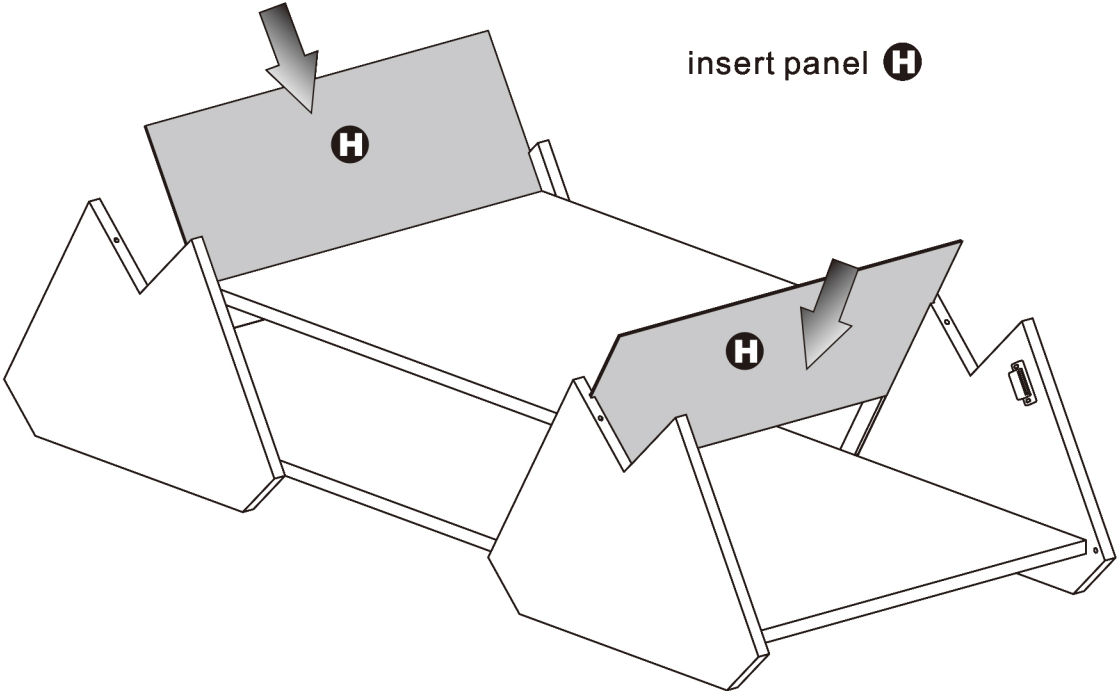
insert wood dowels to panel **F** **E** before knock down panel **C** **D** and cam-nut up

STEP : 2

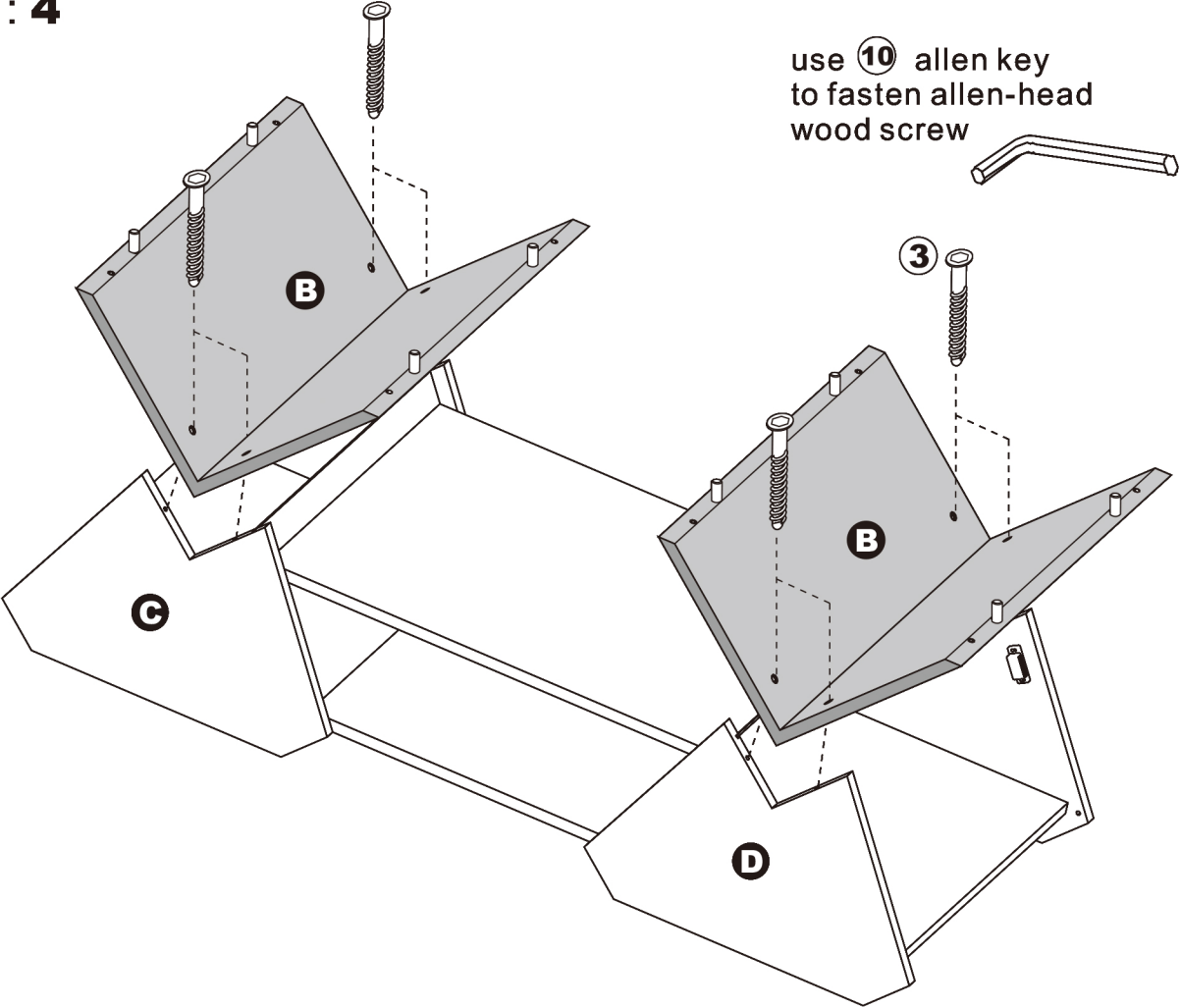
prepare and insert wood dowels into panels



STEP : 3

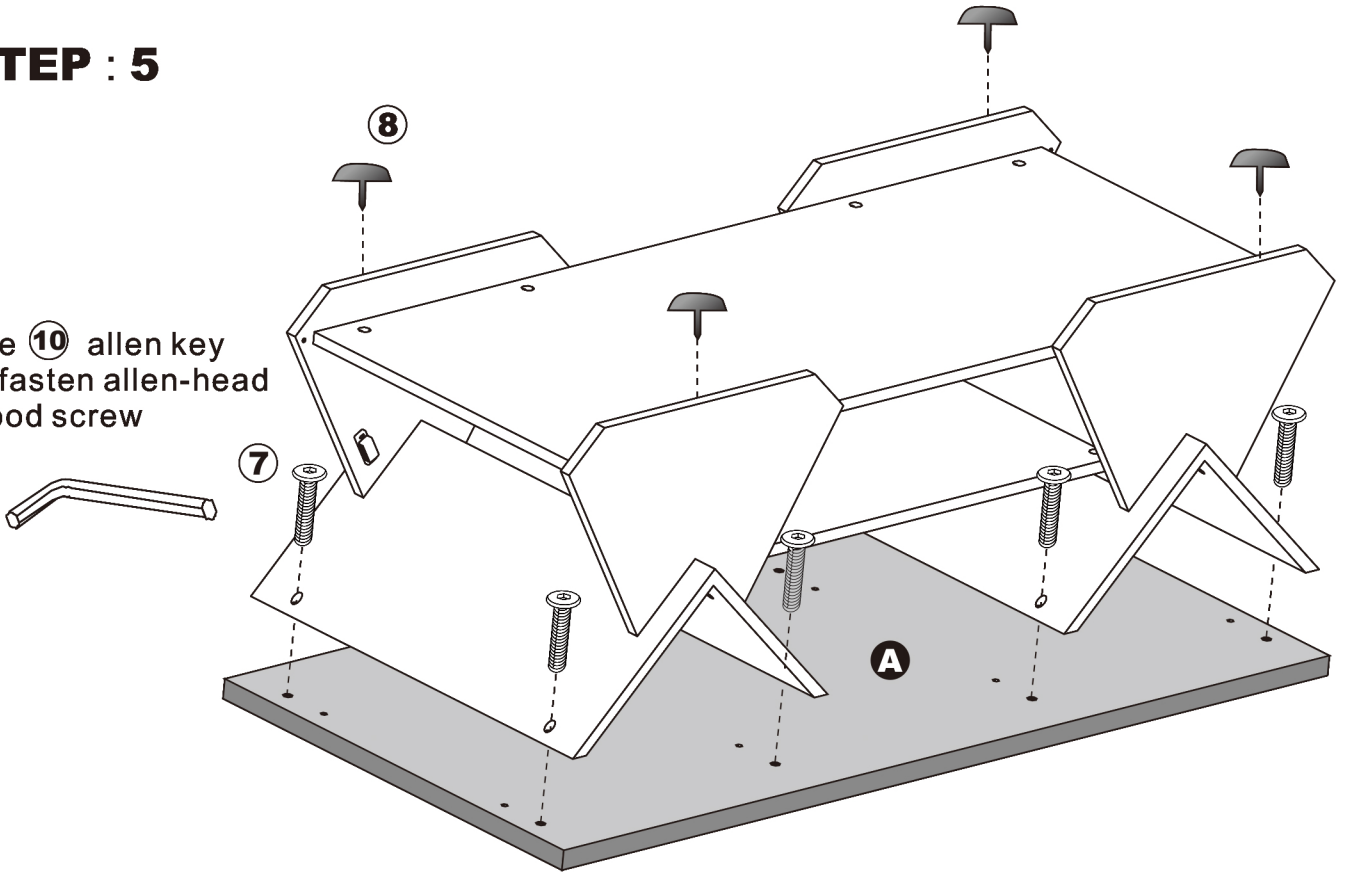


STEP : 4

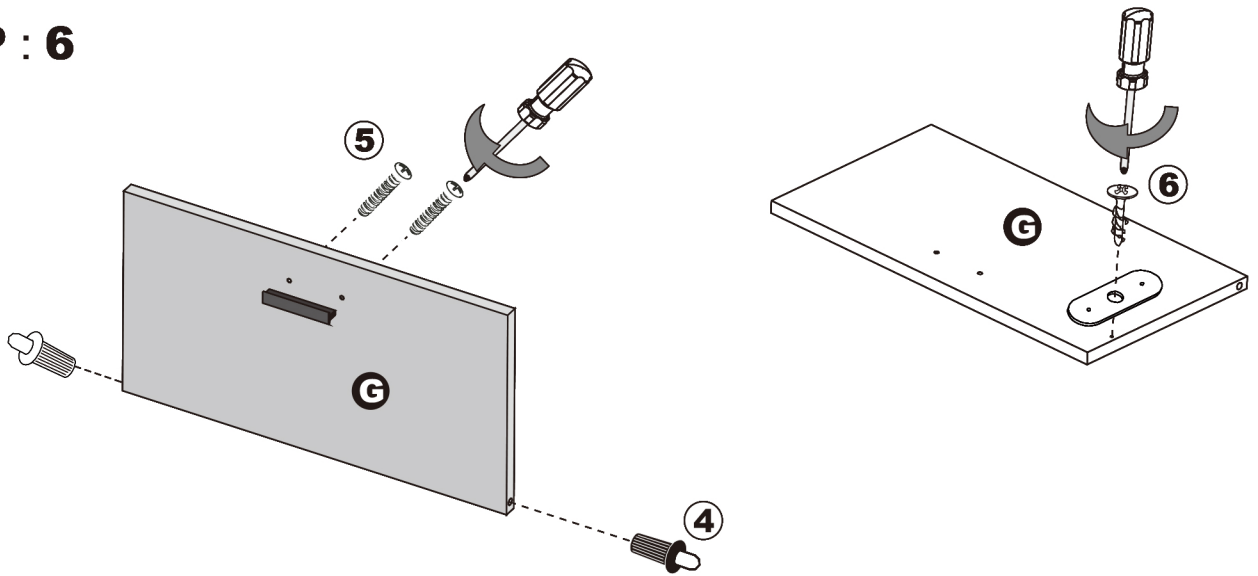


STEP : 5

use ⑩ allen key
to fasten allen-head
wood screw



STEP : 6



push spring down to insert door

