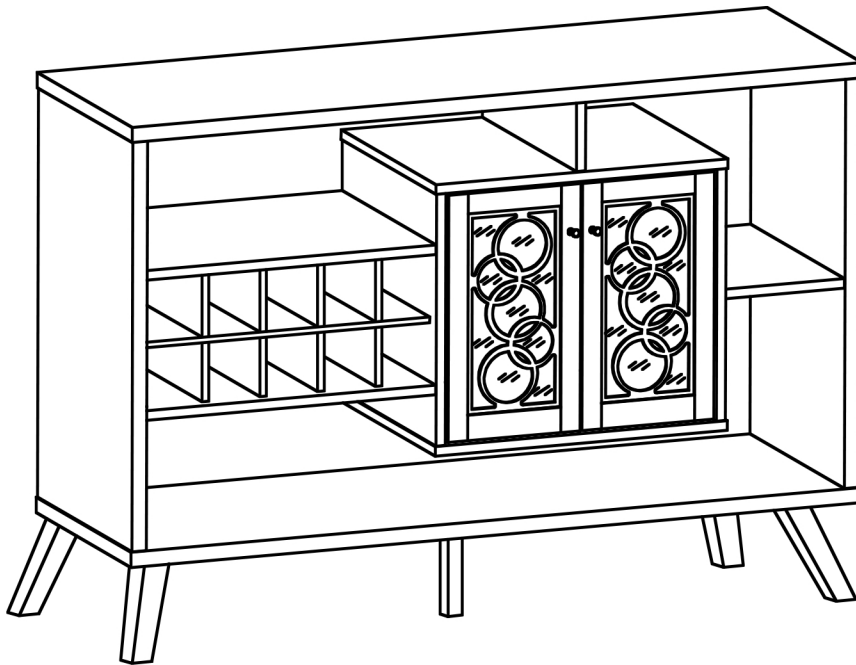


Assembly Instructions



ASSEMBLY RATING

The Assembly Rating is a 5-point system that shows the degree of effort needed in assembling a specific product (with 1 being easy and 5 being difficult). For most products, two persons are recommended.

EASY  DIFFICULT

Tools Required for Assembly:

Phillips Screwdriver 
(Not Included)

Hammer 
(Not Included)



2 PERSONS RECOMMENDED

90-DAY LIMITED REPLACEMENT PARTS WARRANTY

This item comes with a 90-day limited replacement parts warranty to the original purchaser of new products against defects in materials and workmanship for a period of ninety (90) days from the date of receipt. This warranty is not transferrable. If a Product covered by this warranty is determined to be defective or missing an essential item within the warranty period, the manufacturer will, unless otherwise required by applicable law, either replace the Product or send the missing part at its sole option and discretion.

Exclusions

This limited warranty provides coverage to the original retail purchase and does not apply to rented, business, commercial, institutional, or other non-residential uses. This limited warranty does not apply to (i) merchandise that was, at any time, used as a floor sample or display model, (ii) any merchandise purchased "as is" or second-hand, (iii) any merchandise purchased at a distress sale or a going-out-of-business sale, or (iv) any merchandise purchased from a liquidator. All warranties, whether express or implied, cover only normal household usage. No warranty, express or implied, applies to any condition resulting from misuse, abuse, delivery or transportation damage, nor any condition resulting from incorrect or inadequate maintenance, cleaning or care. This warranty does not cover, for example: abuse, accident, protective coatings, cosmetic damage (e.g. scratches, dents, cracks), damage caused by use with other products (e.g. accessories, housing), damages from shipping, improper assembly or operation, lack of reasonable use, misuse, modifications or alterations, normal wear and tear or aging.

Shipping

This limited warranty does not cover shipping charges incurred by any means. Retailer or customer must arrange for shipping under all circumstances.

Chemical Treatments

This limited warranty does not cover damages caused by use of chemical treatments or protective coatings on the finish, leather, or upholstered fabric. Any such chemical treatments or protective coatings voids all warranty.

Upholstered Fabric and Finishes

This limited warranty does not cover (i) damages resulting from excessive soiling, improper or unapproved cleaning methods, (ii) fading or other damages resulting from exposure to sunlight, (iii) damages resulting from household humidity, or (iv) damages resulting from any liquid, including but not limited to alcohol and water. Any use of improper or unapproved cleaning methods voids all warranties.

CLAIM PROCEDURE

If a problem should arise which you feel is covered by our limited warranty, contact the authorized retailer from whom you purchased your furniture. Please make sure any claim for warranty service is accompanied by the necessary information to satisfy the warranty requirements. If necessary, the retailer will contact manufacturer to establish service. Manufacturer reserves the right to require defective parts be returned upon request or proper proof (e.g. images, video) be provided for claim. Manufacturer is not responsible for scheduling or the cost of transporting your furniture or its replacement parts from your home to the retailer or from the retailer to your home. You must make those arrangements with the retailer.

DISCLAIMER

No other express warranty has been made or will be made on behalf of manufacturer with respect to the furniture and its parts, or the operation, repair, or replacement of the furniture and its parts. Furthermore, no representative of manufacturer or its distributors or retailers is authorized to make any changes or modifications to these limited warranties.

Some retailers offer extended or additional warranties either from the retailer or through a third-party. Manufacturer shall not be liable under any extended or additional warranties offered by any retailer or through a third-party. In no event shall manufacturer be responsible for consequential or incidental damages, such as loss of use, inconvenience, loss or damage to personal property, whether indirect or direct, and whether arising in contract or tort. In no event shall manufacturer's responsibility exceed the purchase price of the product or its replacement.

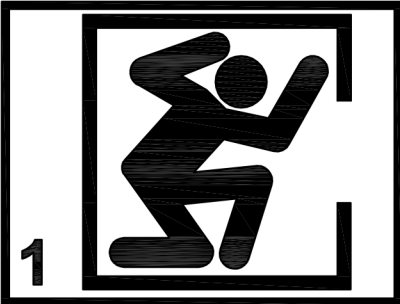
Legal Rights

This warranty gives the owner specific legal rights and you may have other rights, which may vary from state to state.

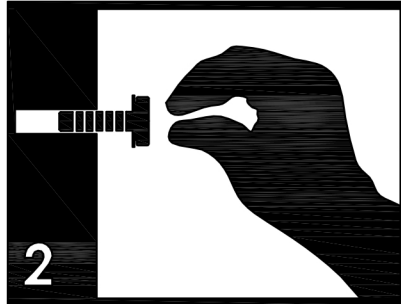
ASSEMBLY & CARE ADVICE

FOR YOUR FURNITURE TO LAST, CORRECT ASSEMBLY AND PROPER MAINTENANCE ARE NECESSARY PLEASE FOLLOW THE INFORMATION PROVIDED BELOW TO FULLY ENJOY YOUR FURNITURE.

BASIC ASSEMBLY TECHNIQUES



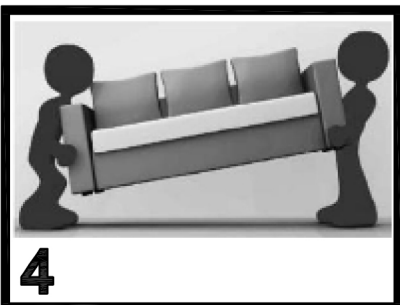
It is highly recommended that the assembly should be done near the area of its intended location. Make sure you have enough space to move around during the assembly.



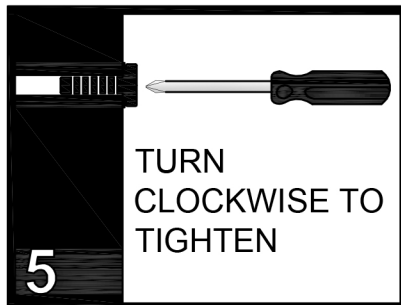
Position each part correctly and insert screws or bolts into their respective holes by hand tighten or using the proper hand tool. Only tighten when step is completed or when instructed to do so.



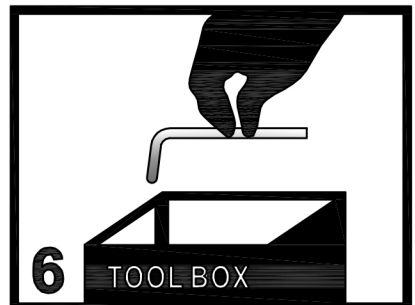
Use cardboard or carpet area when assembling furniture to prevent scratches. Make sure the furniture rests on a flat and level surface with each leg evenly touching the floor.



ALWAYS have at least two people to help with transporting and assembling the product to avoid any potential injury and/or damage.



Make sure all parts are properly aligned, then use the appropriate hand tool to completely tighten the bolts or screws. Do not use power tools and do not overtighten.



Save the instructions and store any supplied tool for later maintenance. After two weeks, check and tighten any loose hardware and repeat again every six months thereafter.

IT IS THE USER'S RESPONSIBILITY TO MAINTAIN THE FURNITURE. THE HARDWARE MAY LOOSEN OVER TIME AND MAY CAUSE THE FURNITURE TO BE WOBBLY AND UNABLE TO SUPPORT ITS INTENDED WEIGHT CAPACITY. THIS MAY LEAD TO COLLAPSE AND MAY CAUSE SERIOUS INJURY.



FAILURE TO FOLLOW THE GUIDELINES ABOVE MAY RESULT IN INJURY AND/OR PROPERTY DAMAGE.

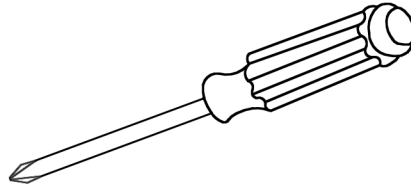
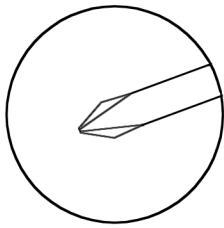
PRE-ASSEMBLY INTRODUCTION

Unless you are particularly adept at assembling flat-pack/knock-down furniture, we understand building ready-to-assemble furniture can be a frustrating experience for some. To help avoid confusion and to make the assembly process quicker and smoother, we have provided some helpful tips. Before you begin the assembly, please read the following :

1. Due to the size and/or weight on most of the ready-to-assemble furniture, it is highly recommended that the assembly should be done near the area of its intended location. Make sure you have enough space to move around during the assembly. ALWAYS have at least two people to help with transporting and assembling of the product to avoid any potential injury and/or damage.
2. To protect from damage, assemble the item on a clean, protective surface, such as on a carpet or cardboard.
3. Make sure you have taken all the parts and hardware out of their packaging. Do not throw away packaging material until assembly is completed.
4. Make sure all parts and hardware are accounted for by comparing the actual parts and hardware to the list provided in the assembly instructions. Also check for any irregularity such as crack, flaw or improperly drilled hole. If there is any problem or missing piece, please contact the manufacturer or the supplier. Please have the model number, part number and a brief description of the problem ready will help expedite the replacement process.
5. Read the entire instruction manual and view the diagrams first before assembling. Arrange your parts in order of use and group the identical hardware together to make it easier to grab each piece as you begin to assemble.
6. During the assembly process, make sure parts are properly aligned before tightening with the tool provided or required for the assembly. Do not use power tools and do not over tighten.
7. When applying glue to the wood dowels to bond the parts together, please be ABSOLUTELY certain that the parts are correct and lined up with each other (refer to diagrams and take notice of the various pre-drilled hole locations). When in doubt, assemble the parts together first and if the parts fit right, then apply glue to the wood dowels.

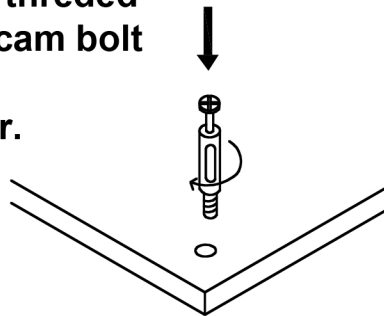


CAMLOCK FASTENER ASSEMBLY INSTRUCTIONS



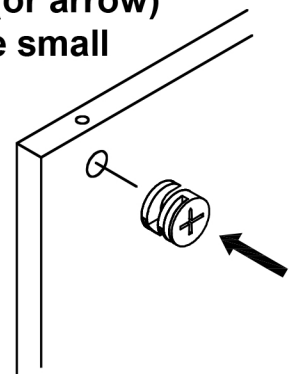
Note: Every cam lock bolt must have a cam lock connector in order to fasten the parts together.

- (1) Secure the threaded end of the cam bolt by using a screwdriver.

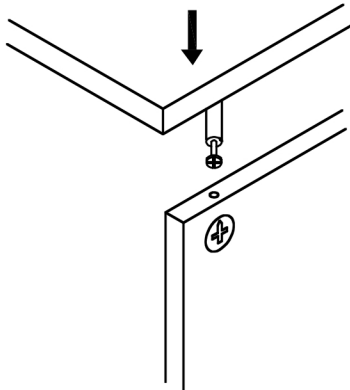


Turn right (clockwise) to tighten.

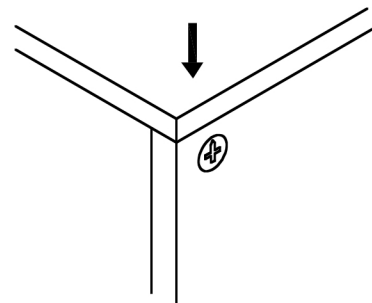
Align the cam connector with its side opening (or arrow) pointing to the small drilled hole.



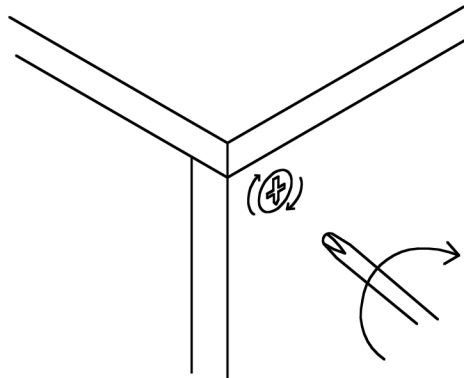
- (2) Insert the cam lock bolt into the pre-drilled hole above the cam connector.



- (3) Two parts should fit snugly against each other.



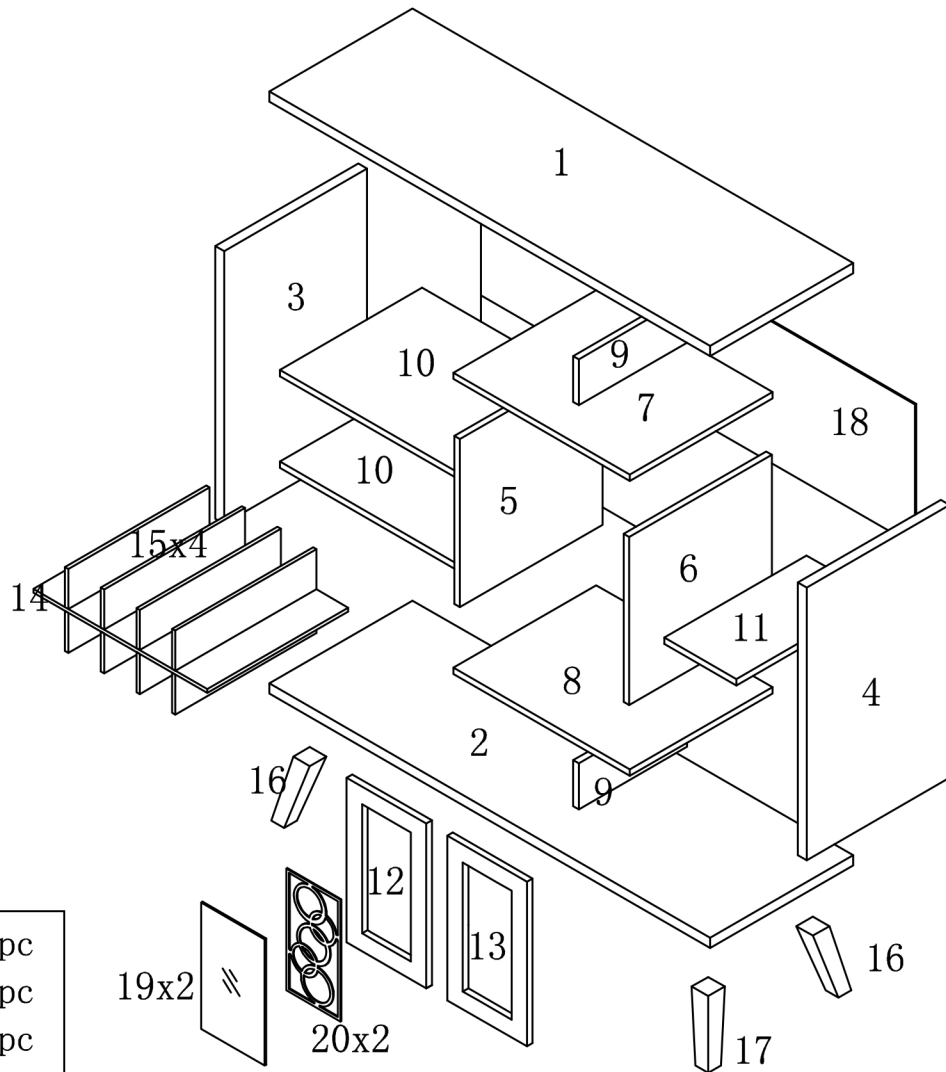
- (4) Turn right (clockwise) to tighten.



Turn the cam connector with a screwdriver until it will not turn any more with light to moderate force.



PARTS LIST









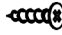











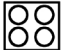





(1)	1pc	(11)	1pc
(2)	1pc	(12)	1pc
(3)	1pc	(13)	1pc
(4)	1pc	(14)	1pc
(5)	1pc	(15)	4pcs
(6)	1pc	(16)	2pcs
(7)	1pc	(17)	2pcs
(8)	1pc	(18)	2pcs
(9)	2pcs	(19)	2pcs
(10)	2pcs	(20)	2pcs



Before you begin, please read "Assembly and Care Advice", "Pre-Assembly Introduction" and "Cam Lock Fastener Assembly Instructions".

HARDWARE LIST

A		L29	24pcs
B		Ø15	24pcs
C		Ø8x25	22pcs
D		Ø7x48	4pcs
E		M5	1pc
F		M8x35	4pcs
G		Ø4x35	8pcs
H		Ø3x16	2pcs
I		Ø3x14	4pcs
J			1pc
K			2pcs
L		Ø4x22	2pcs
M		Ø4	2pcs
N		Ø4x16	2pcs
O		Ø5	2pcs
P		Ø5	2pcs
Q		Ø5x10	4pcs
R		80x25x150H	1pc
S			8pcs
T		Ø3.5x12	8pcs
U		Ø20	10pcs
V			30pcs
W			5pcs
X		Glue: For securing please apply to wood dowel first before inserting into panel	1pc

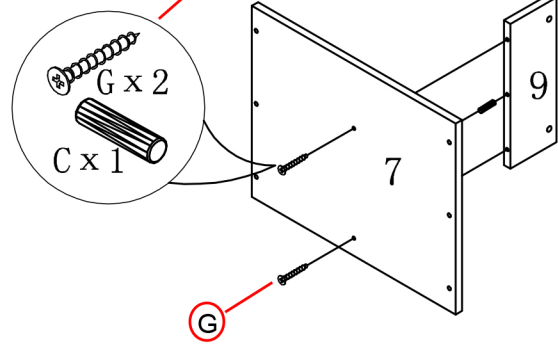
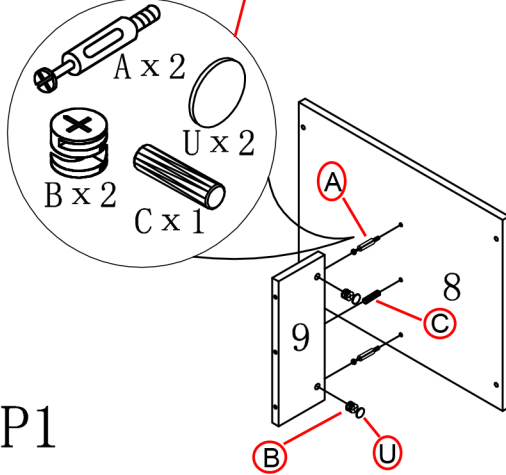


Due to the size and/or weight of this product, it is highly recommended that the assembly should be done near the area of its intended location. Make sure you have enough space to move around during the assembly. ALWAYS have at least two people to help with transporting and assembling the product to avoid any potential injury and/or damage

ASSEMBLY INSTRUCTIONS

Attach cam bolts (#A) and dowels (#C) to panel (#8), then align panel (#9) to the cam bolts and dowels of panel (#8). Secure by using cam locks (#B), then cover cam locks by using stickers (#U). Please refer to page 5 on how to secure cam locks (#B) onto cam bolts (#A).

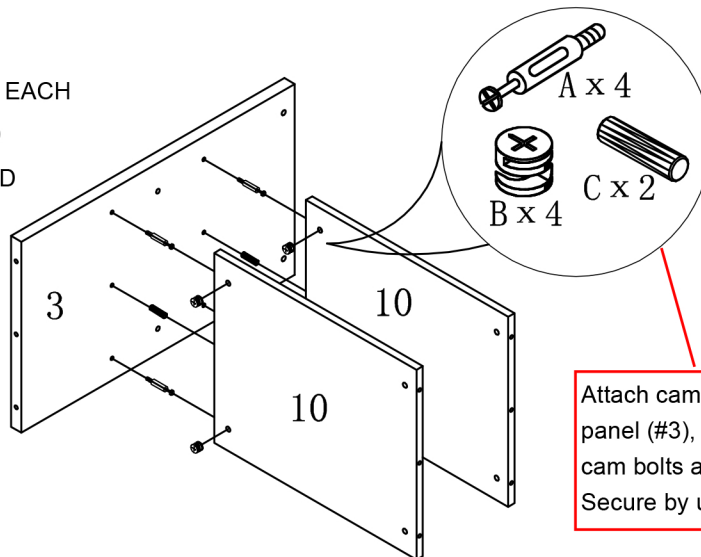
Attach dowel (#C) to panel (#7), then align panel (#9) to panel (#7). Secure by using screws (#G).



STEP 1

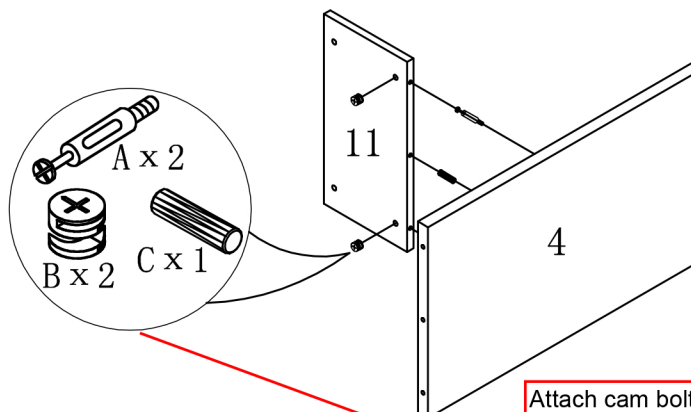
STEP 2

ALL PANELS THROUGHOUT EACH STEP SHOULD BE FINISHED FACING UP AND UNFINISHED FACING DOWN.



Attach cam bolts (#A) and dowels (#3) to panel (#3), then align panel (#10) to the cam bolts and dowels of panel (#3). Secure by using cam locks (#B).

STEP 3

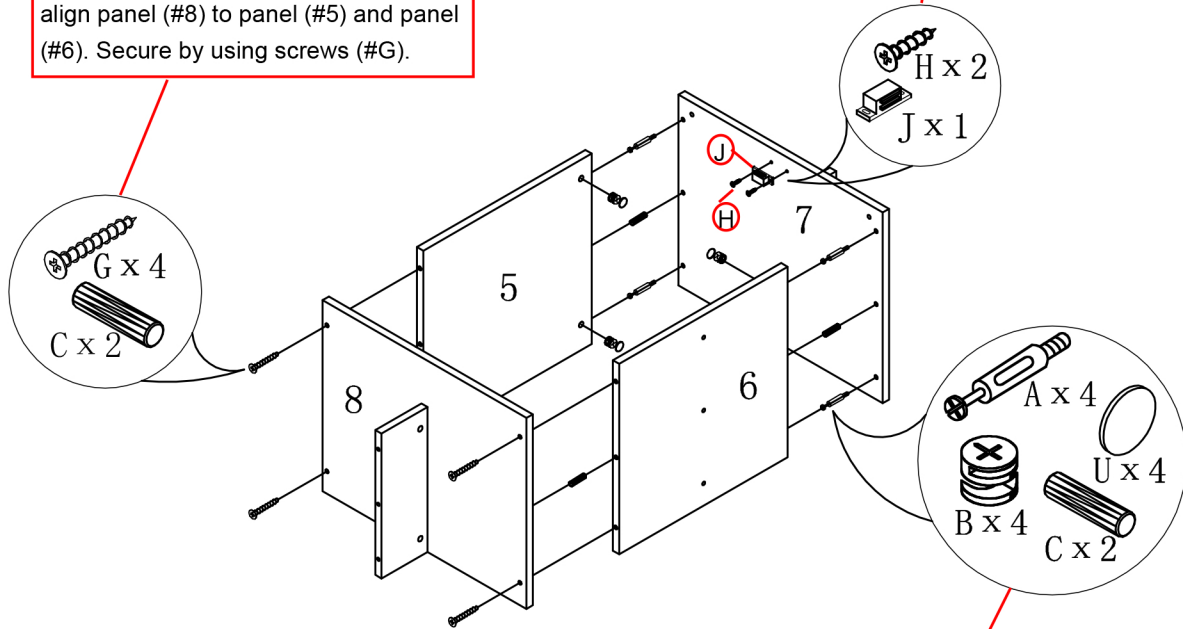


Attach cam bolts (#A) and dowel (#3) to panel (#4), then align panel (#11) to the cam bolts and dowel of panel (#4). Secure by using cam locks (#B).

ASSEMBLY INSTRUCTIONS

3) Attach dowel (#3) to panel (#8), then align panel (#8) to panel (#5) and panel (#6). Secure by using screws (#G).

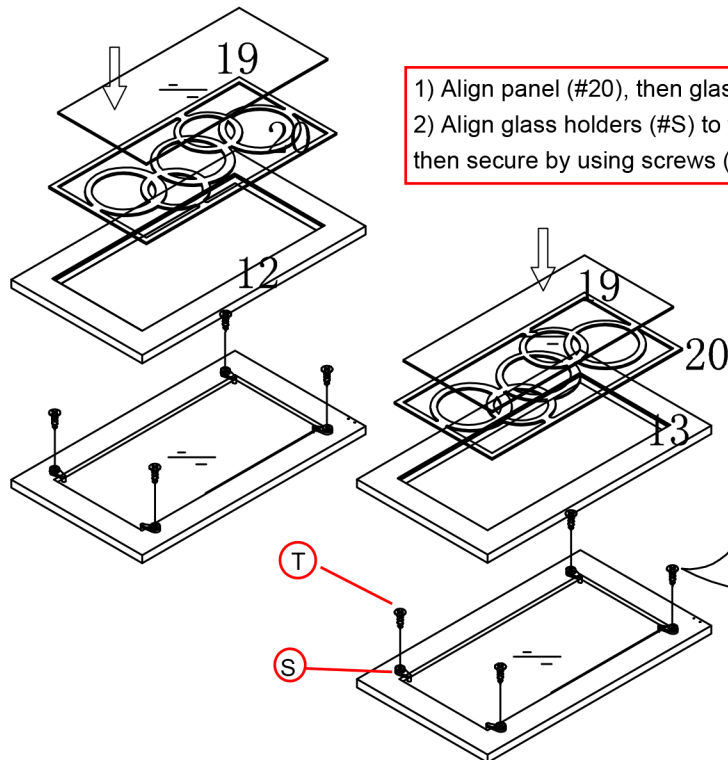
1) Align magnet (#J) to panel (#7), then secure by using screws (#H).



2) Attach cam bolts (#A) and dowel (#3) to panel (#7), then align panel (#5) and panel (#6) to the cam bolts and dowel of panel (#7). Secure by using cam locks (#B), then cover cam locks by using stickers (#U).

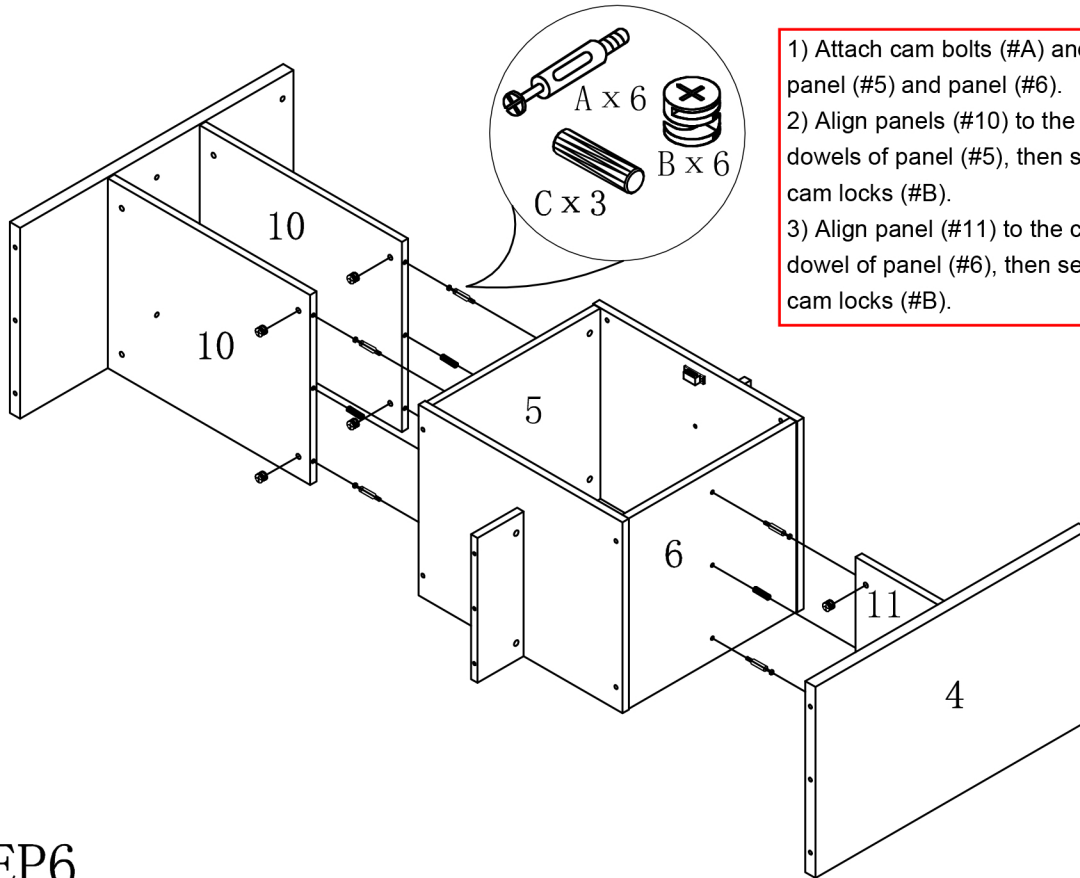
STEP 4

STEP 5



1) Align panel (#20), then glass (#19) onto frame (#12).
2) Align glass holders (#S) to the frame (#12) and glass (#19), then secure by using screws (#T).

ASSEMBLY INSTRUCTIONS

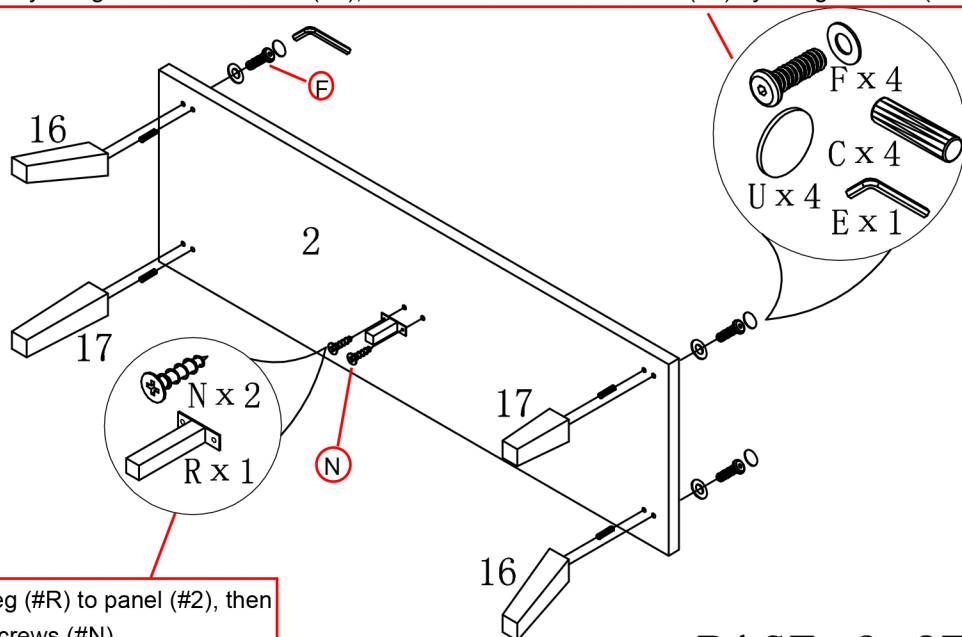


- 1) Attach cam bolts (#A) and dowels (#C) to panel (#5) and panel (#6).
- 2) Align panels (#10) to the cam bolts and dowels of panel (#5), then secure by using cam locks (#B).
- 3) Align panel (#11) to the cam bolts and dowel of panel (#6), then secure by using cam locks (#B).

STEP 6

STEP 7

- 1) Attach dowels (#3) to each legs (#16) and legs (#17), then align legs (#16) and legs (#17) to panel (#2). Secure by using bolts and washers (#F), then cover bolts and washers (#F) by using stickers (#U).



- 2) Align support leg (#R) to panel (#2), then secure by using screws (#N).

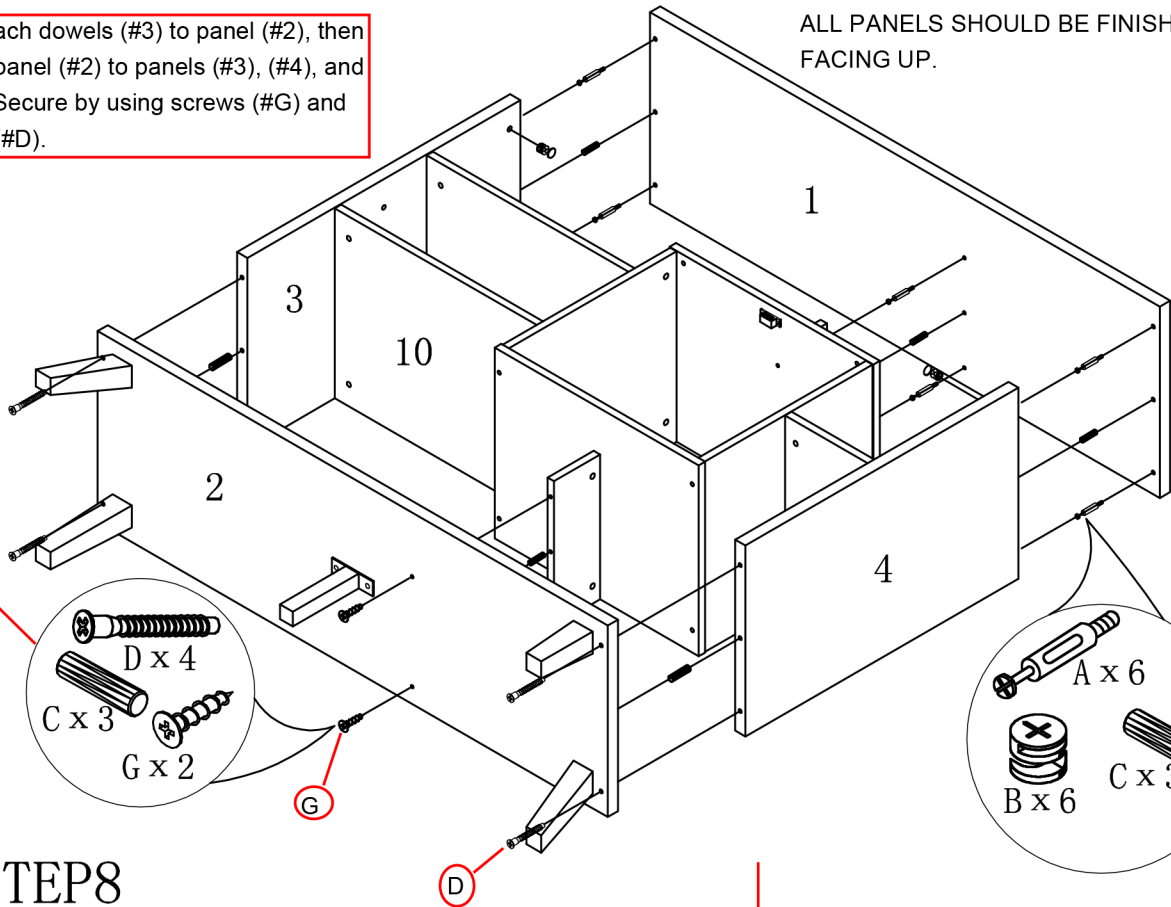
PAGE: 6 OF 8

ASSEMBLY INSTRUCTIONS

1) Attach cam bolts (#A) and dowels (#3) to panel (#1), then align panel (#1) to panels (#3), (#4), and (#9). Secure by using cam locks (#B).

2) Attach dowels (#3) to panel (#2), then align panel (#2) to panels (#3), (#4), and (#9). Secure by using screws (#G) and bolts (#D).

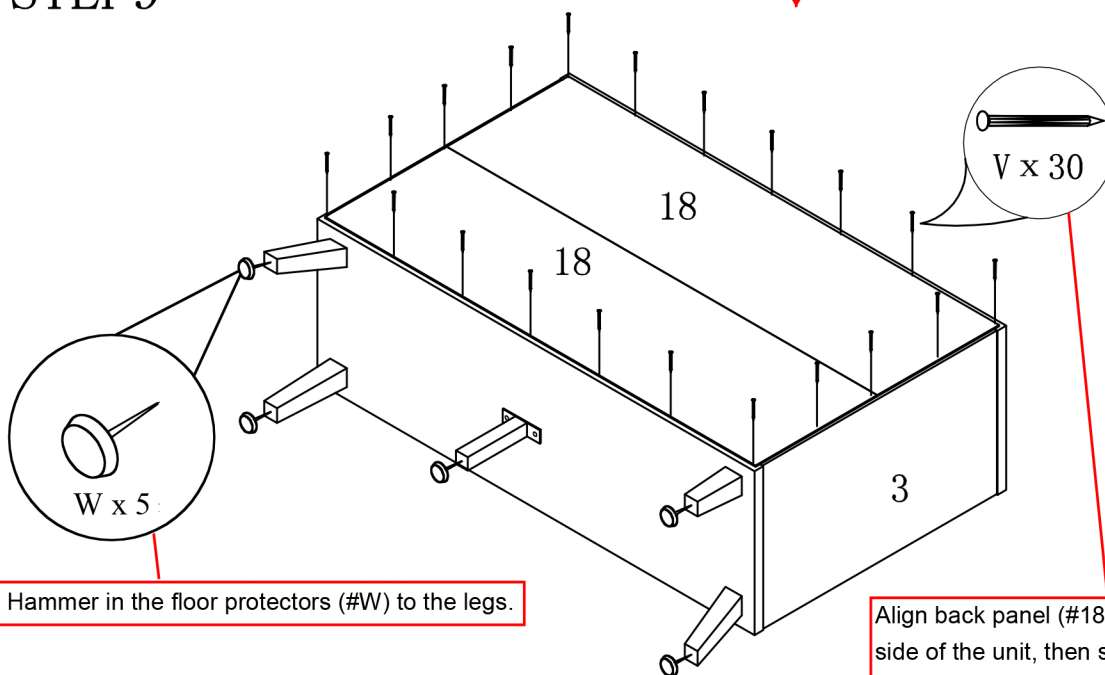
ALL PANELS SHOULD BE FINISHED FACING UP.



STEP 8

FLIP OVER SO UNFINISHED SIDE IS FACING UP.

STEP 9

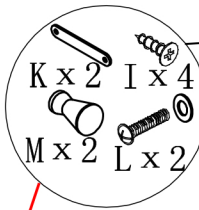
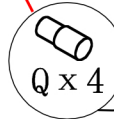


Hammer in the floor protectors (#W) to the legs.

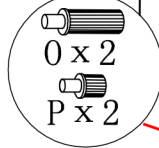
Align back panel (#18) to unfinished side of the unit, then secure by using a hammer to hammer in the nails (#V).

ASSEMBLY INSTRUCTIONS

1) Attach shelf pins (#Q) to the tiny holes of the side panels.



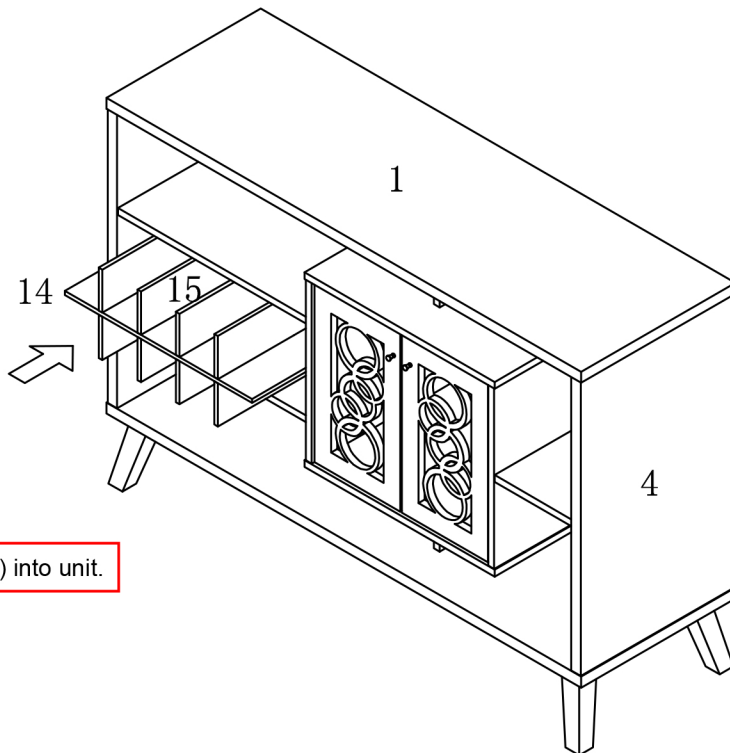
2) Secure metal plate (#K) to the doors (#12,13) by using screws (#I). Secure knobs (#M) to the doors (#12,13) by using bolts and washers (#L).



3) Insert smaller door pins (#P) to the bottom holes of doors (#12,13), then insert longer door pins (#O) to the top holes of doors (#12,13). Attach doors (#12,13) to unit by inserting smaller door pins (#P) first, then longer door pins (#O).

STEP 10

STEP 11



Slide panels (#14,15) into unit.

Make sure the unit is rested on a flat surface and does not feel loose or wobbly. If it does, double check that the bolts/screws are secured and properly tightened.

ASSEMBLY IS COMPLETED