

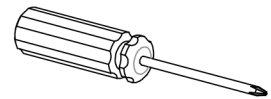
ASSEMBLY INSTRUCTIONS

TOOLS REQUIRED



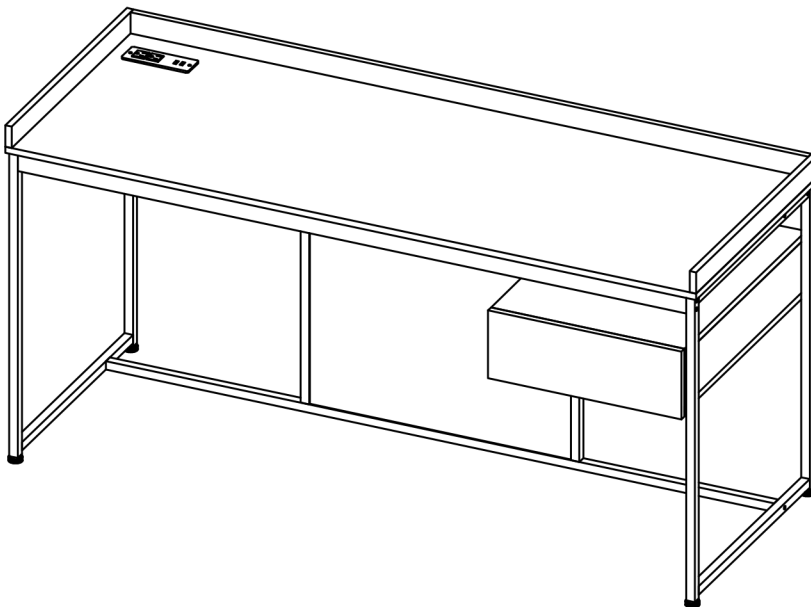
Allen Wrench

(Included)



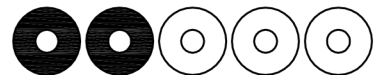
Phillips Screwdriver

(Not Included)



2 - People
Recommended

ASSEMBLY RATING



EASY —————> DIFFICULT

The Assembly Rating is a 5-point system showing the level of effort needed to assemble a specific product.



CHECK BEFORE STARTING

Are you missing anything?

Double-check all parts, hardware and accessories listed on Page 6 are accounted for.

Check out our Quick Tips!

We recommend reviewing the pre-assembly handouts. Even experts need a refresher now and then!

Should we send any replacements?

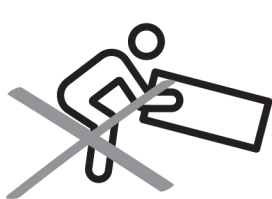
Are there any irregularities or flaws in the parts? We can send replacements!

Prep Time!

Please review the assembly instructions and all diagrams prior to assembling. Arrange parts as recommended on Page 7 and group identical hardware together to make assembling easier.

PRE ASSEMBLY INTRODUCTION

We understand building ready-to-assemble furniture can be a challenging experience for some. To help avoid confusion, we have provided some helpful tips that may speed up the process.



Teamwork

ALWAYS have at least two people to help with transporting and assembling the product to avoid potential injury and/or damage.



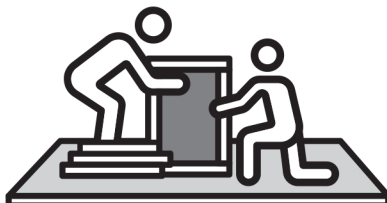
Suitable Location

Assembling near the area of the intended location is highly recommended.



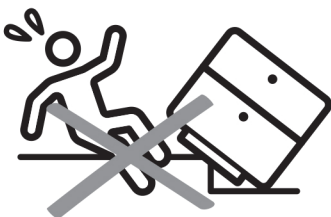
Sufficient Space

Make sure you have enough space to move around during the assembly.



Avoid Scratches

Use cardboard, blankets or a carpeted area while assembling furniture to prevent scratches.



Flat Surface

Make sure the furniture rests on a flat and level surface with each leg evenly touching the floor.

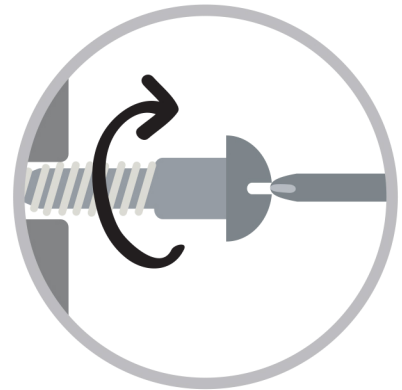
ASSEMBLY AND CARE ADVICE



FAILURE TO FOLLOW THE GUIDELINES BELOW MAY RESULT IN INJURY AND/OR PROPERTY DAMAGE.



Position each part correctly and insert screws or bolts into their respective holes.



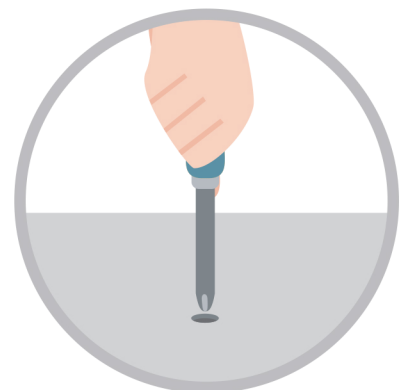
Turn clockwise to tighten and only tighten when step is completed or when instructed to do so.



Use the appropriate hand tools or power tools for assembly. Select steps, such as tightening screws and/or bolts, may require hand tools to avoid causing damage during assembly.



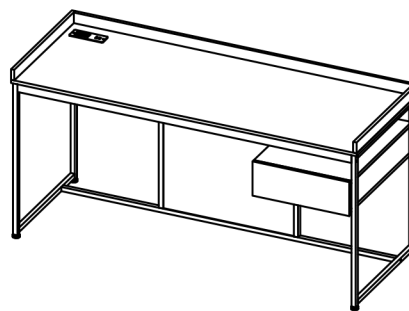
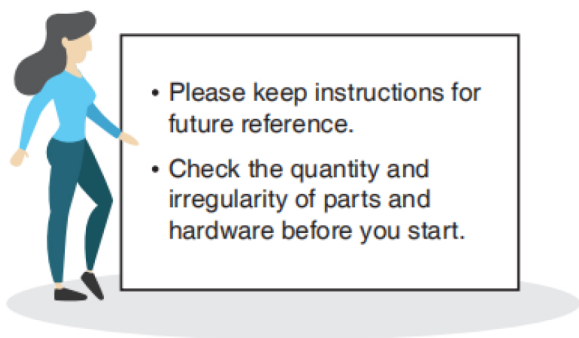
Save the instructions and store any supplied tools for later maintenance.



After two weeks, check and tighten any loose hardware and repeat again every six months thereafter.

IT IS THE USER'S RESPONSIBILITY TO MAINTAIN THE FURNITURE. THE HARDWARE MAY LOOSEN OVER TIME AND MAY CAUSE THE FURNITURE TO BE WOBBLY AND UNABLE TO SUPPORT ITS INTENDED WEIGHT CAPACITY. THIS MAY LEAD TO COLLAPSE AND MAY CAUSE SERIOUS INJURY.

WRITING DESK WITH USB PLUG



PARTS

#1 1pc

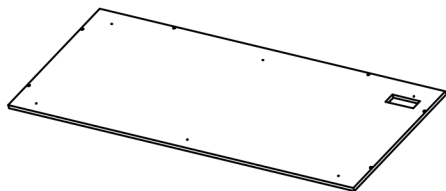
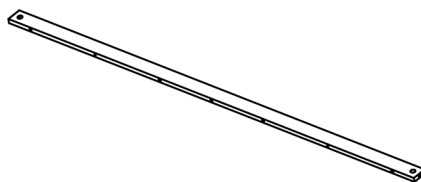


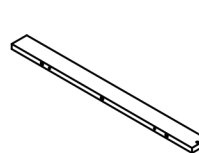
Table Board

#2 1pc



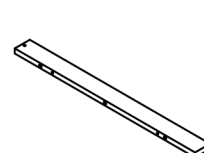
Back Panel

#3 1pc



Left Panel

#4 1pc



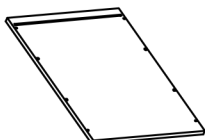
Right Panel

#5 1pc



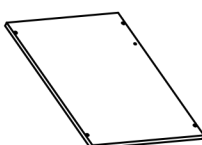
USB Socket

#6 1pc



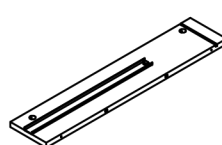
Box Top

#7 1pc



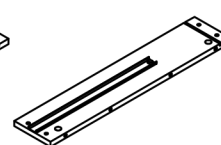
Box Bottom

#8 1pc



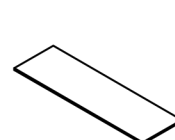
Box L-Panel

#9 1pc



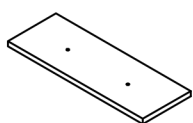
Box R-Panel

#10 1pc



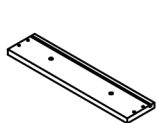
Box Back

#11 1pc



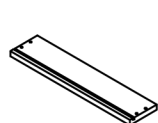
Drawer Face

#12 1pc



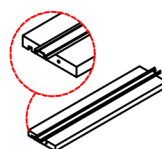
Drawer Front

#13 1pc



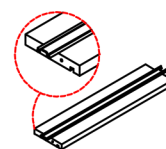
Drawer Back

#14 1pc



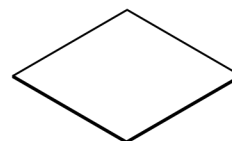
Drawer L-Panel

#15 1pc



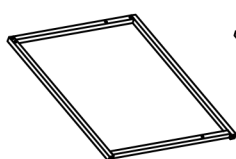
Drawer R-Panel

#16 1pc



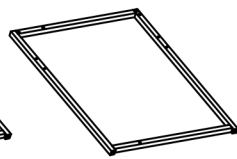
Drawer Bottom

#17 1pc



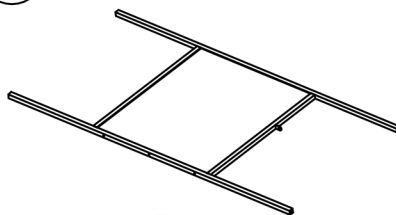
L-Side Frame

#18 1pc



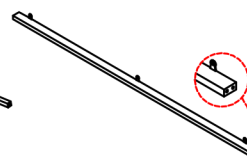
R-Side Frame

#19 1pc



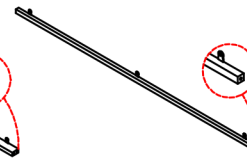
H-Frame

#20 1pc



F-Cross Tube

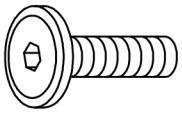
#21 1pc



B-Cross Tube

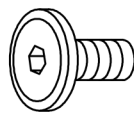
HARDWARE

#A x 6pcs



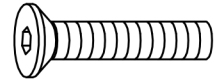
Bolt 1/4" * 25mm

#B x 1pc



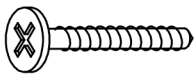
Bolt 1/4" * 12mm

#C x 10pcs



Bolt 1/4" * 41mm

#D x 18pcs



Screw 8# * 28mm

#E x 2pcs



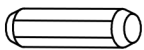
Screw 6# * 12mm

#F x 6pcs



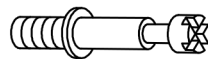
Screw 4mm * 12mm

#G x 19pcs



Dowel

#H x 6pcs



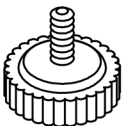
Cam Bolt

#I x 6pcs



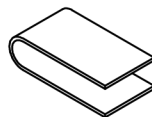
Cam Lock

#J x 4pcs



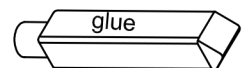
Leveler

#K x 2pcs



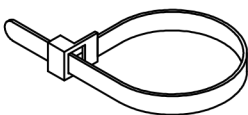
U-Sheet

#L x 1pc



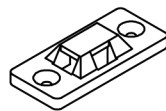
Glue

#M x 2pcs



Safety Strap

#N x 2pcs



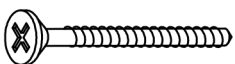
Plastic Bracket

#O x 4pcs



Anchor

#P x 4pcs



Screw

#Q x 1pc



Allen Wrench

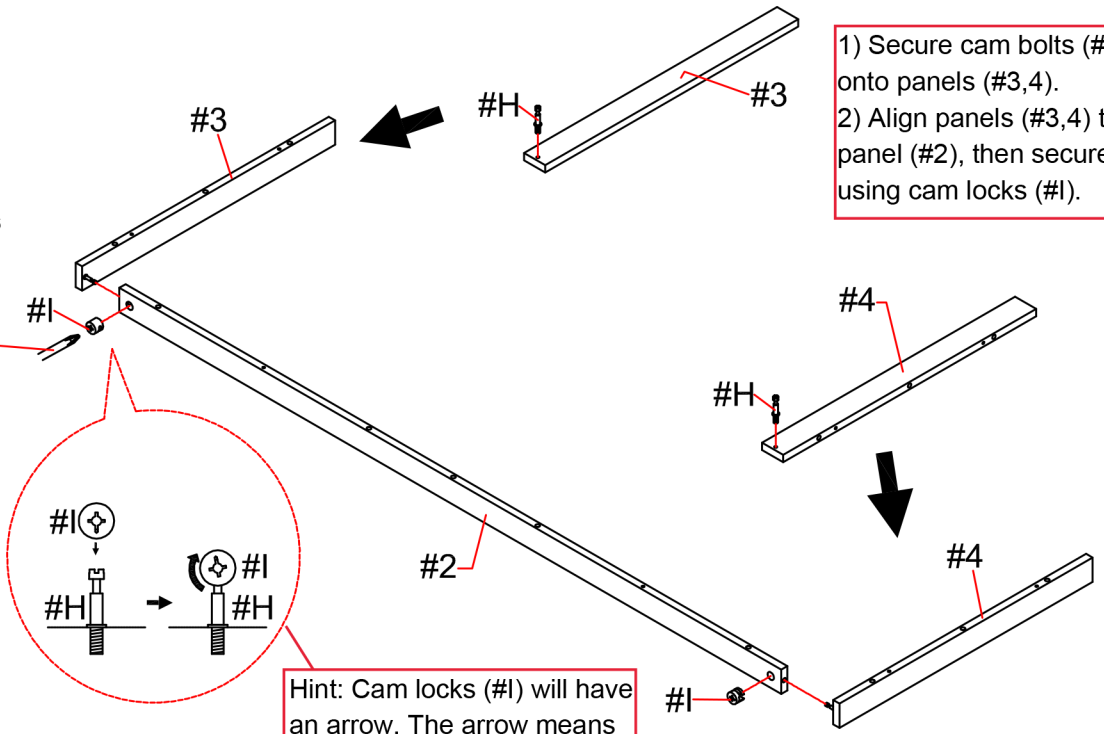
ASSEMBLY INSTRUCTIONS

1

- Part #2 x1pc
- Part #3 x1pc
- Part #4 x1pc
- Hardware #H x2pcs
- Hardware #I x2pcs

- 1) Secure cam bolts (#H) onto panels (#3,4).
- 2) Align panels (#3,4) to panel (#2), then secure by using cam locks (#I).

Phillips screwdriver
(not included)

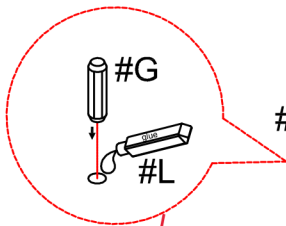


Hint: Cam locks (#I) will have an arrow. The arrow means the it should be pointed towards the cam bolt.

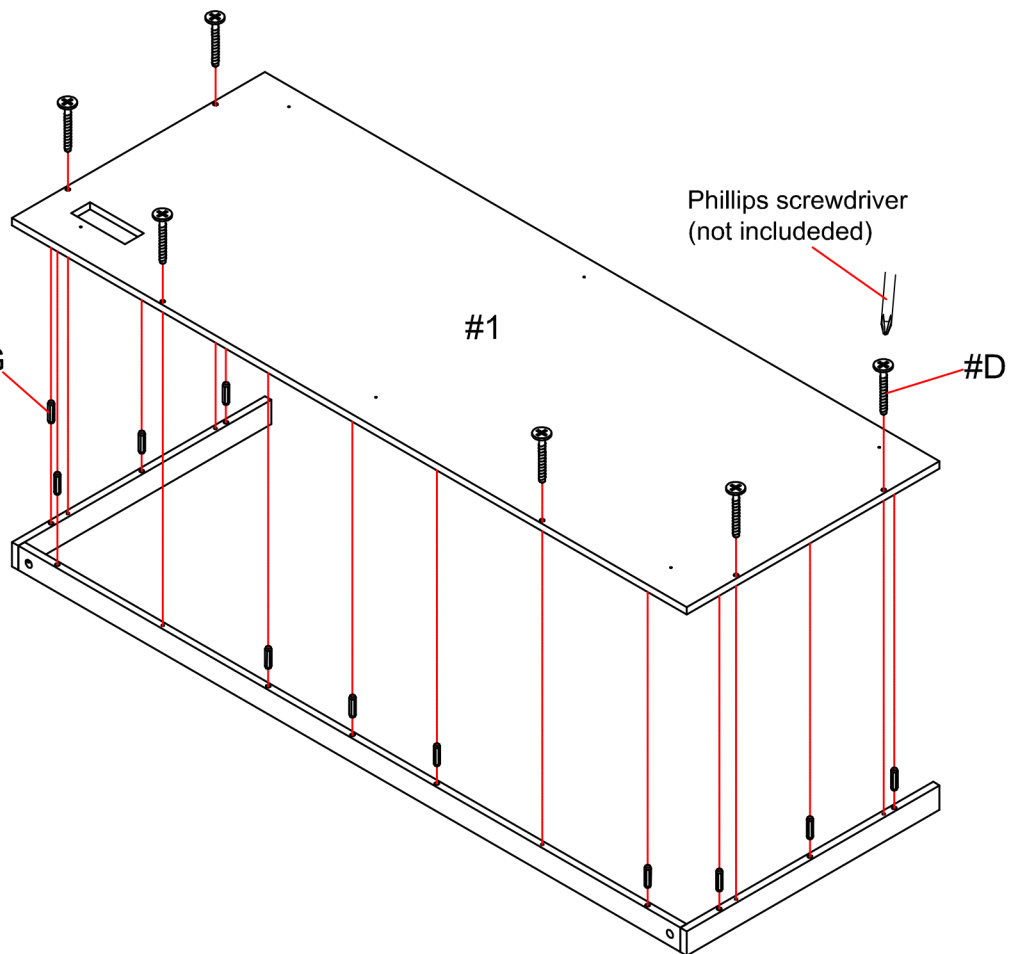
2

- Part #1 x1pc
- Hardware #D x6pcs
- Hardware #G x11pcs

Phillips screwdriver
(not included)



Add a small dab of glue before inserting dowels (#G).

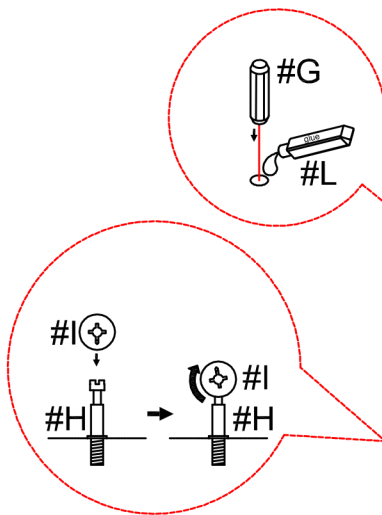
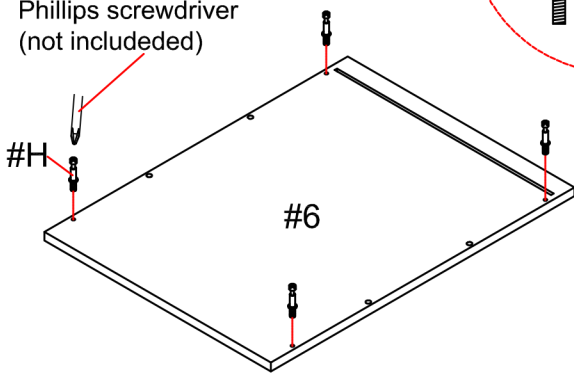


ASSEMBLY INSTRUCTIONS

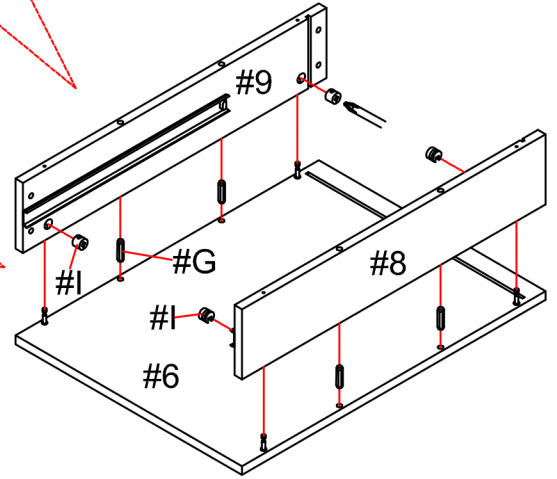
3

- Part #6 x1pc
- Part #8 x1pc
- Part #9 x1pc
- Hardware #G x4pcs
- Hardware #H x4pcs
- Hardware #I x4pcs

Phillips screwdriver
(not included)



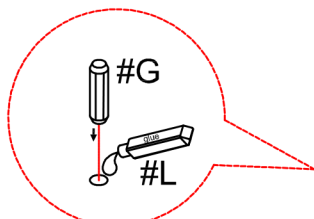
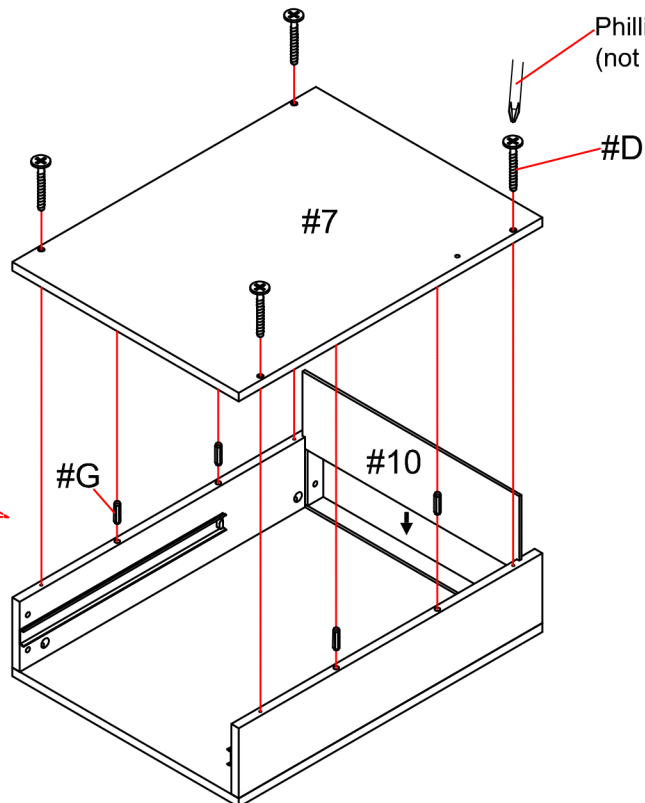
- 1) Secure cam bolts (#H) onto panel (#6).
- 2) Insert dowels (#G) into panel (#6).
- 3) Align panels (#8,9) onto panel (#6), then secure with cam locks (#I).



4

- Part #7 x1pc
- Part #10 x1pc
- Hardware #D x4pcs
- Hardware #G x4pcs

Phillips screwdriver
(not included)



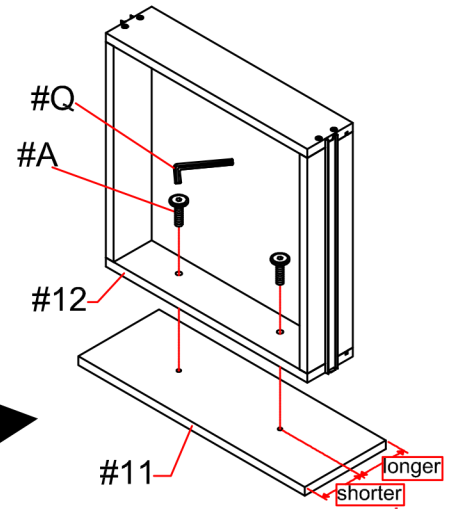
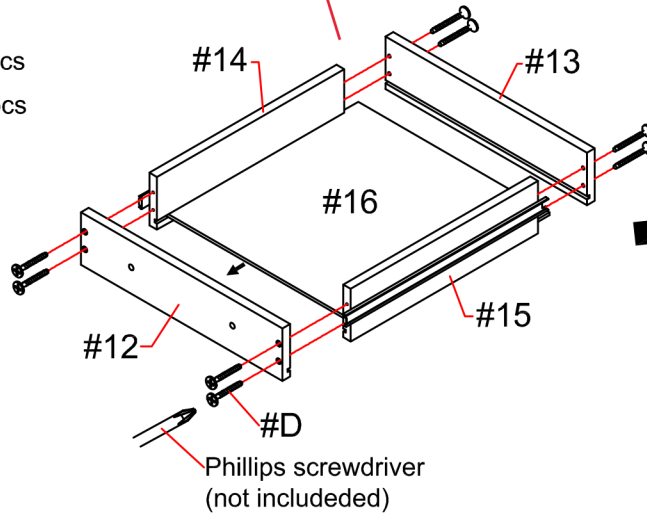
- 1) Slide panel (#10) onto the thin grooves.
- 2) Insert dowels (#G) to panels (#8,9).
- 3) Align panel (#7) to unit, then secure by using screws (#D).

ASSEMBLY INSTRUCTIONS

5

- Part #11 x1pc
- Part #12 x1pc
- Part #13 x1pc
- Part #14 x1pc
- Part #15 x1pc
- Part #16 x1pc
- Hardware #A x2pcs
- Hardware #D x8pcs

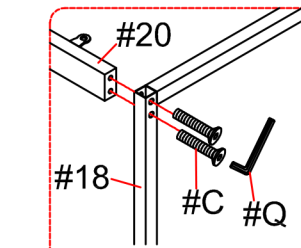
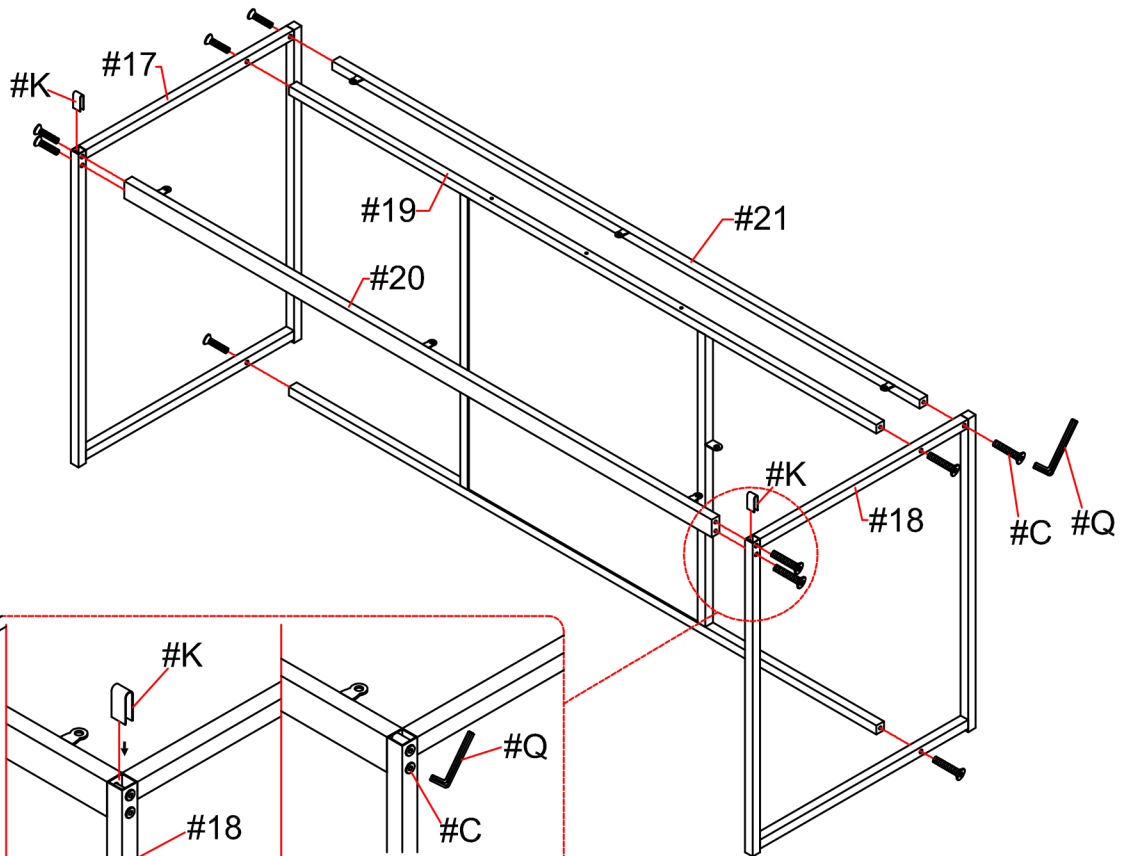
Align panels (#12,13,14,15,16) together as shown in the diagram. Secure by using screws (#D).



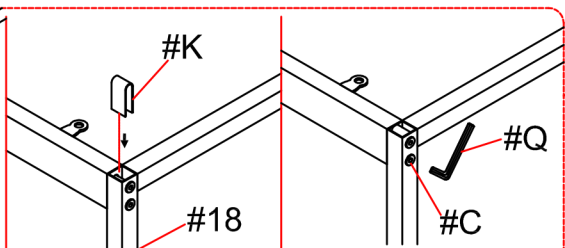
Hint: The distance between holes to the end of panel (#11) is shorter/longer as shown in the diagram. This will help determine orientation of panel (#11) when assembling.

6

- Part #17 x1pc
- Part #18 x1pc
- Part #19 x1pc
- Part #20 x1pc
- Part #21 x1pc
- Hardware #C x10pcs
- Hardware #K x2pcs



Do not fully tighten the bolts (#C).



Fully tighten the bolts (#C).

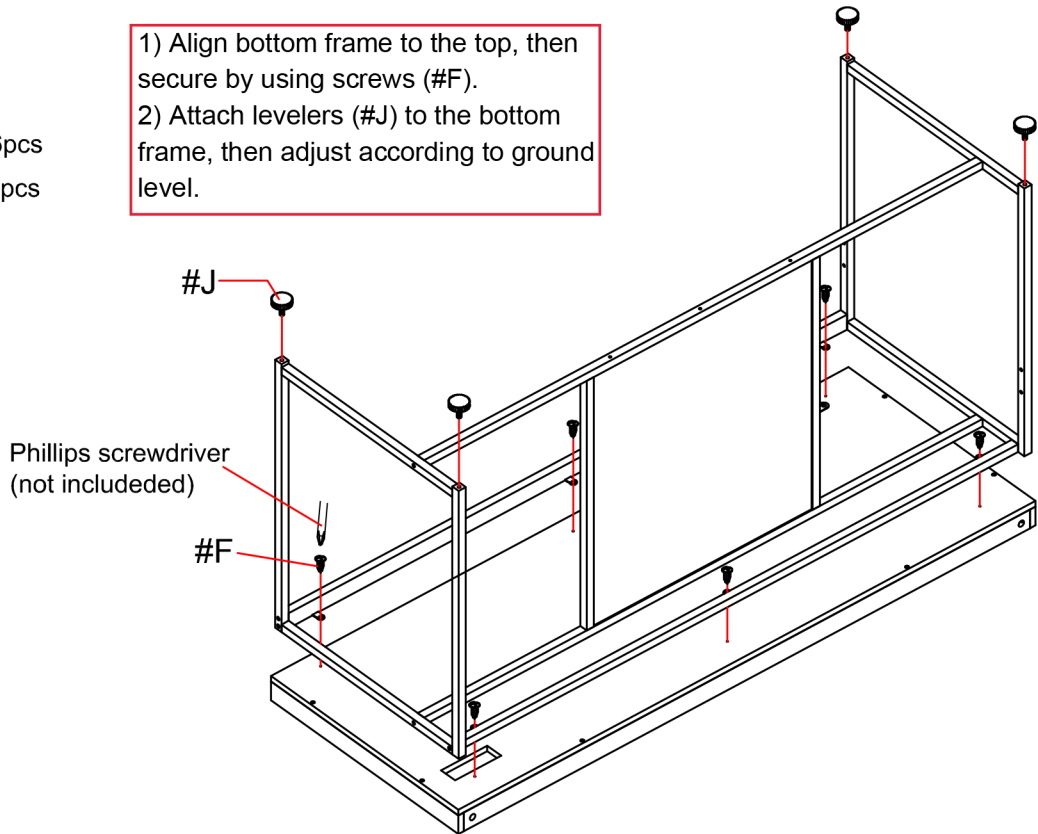
ASSEMBLY INSTRUCTIONS

7

Hardware #F x6pcs

Hardware #J x4pcs

- 1) Align bottom frame to the top, then secure by using screws (#F).
- 2) Attach levelers (#J) to the bottom frame, then adjust according to ground level.

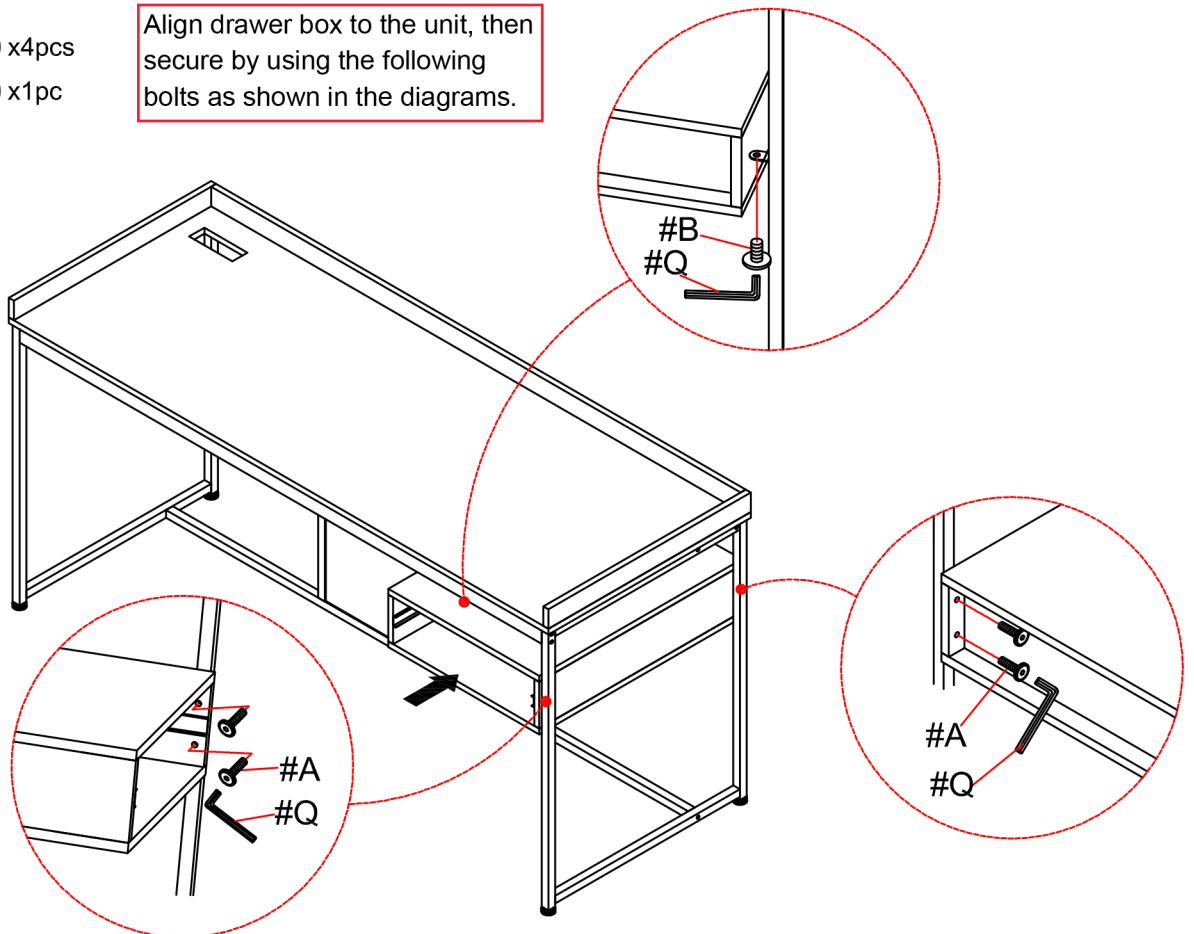


8

Hardware #A x4pcs

Hardware #B x1pc

- Align drawer box to the unit, then secure by using the following bolts as shown in the diagrams.

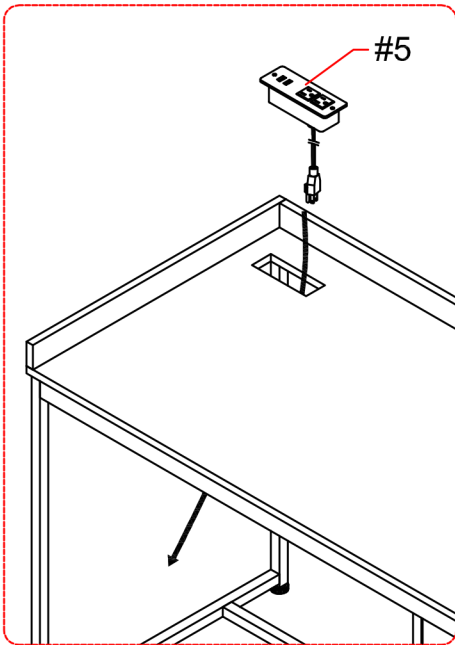


ASSEMBLY INSTRUCTIONS

9

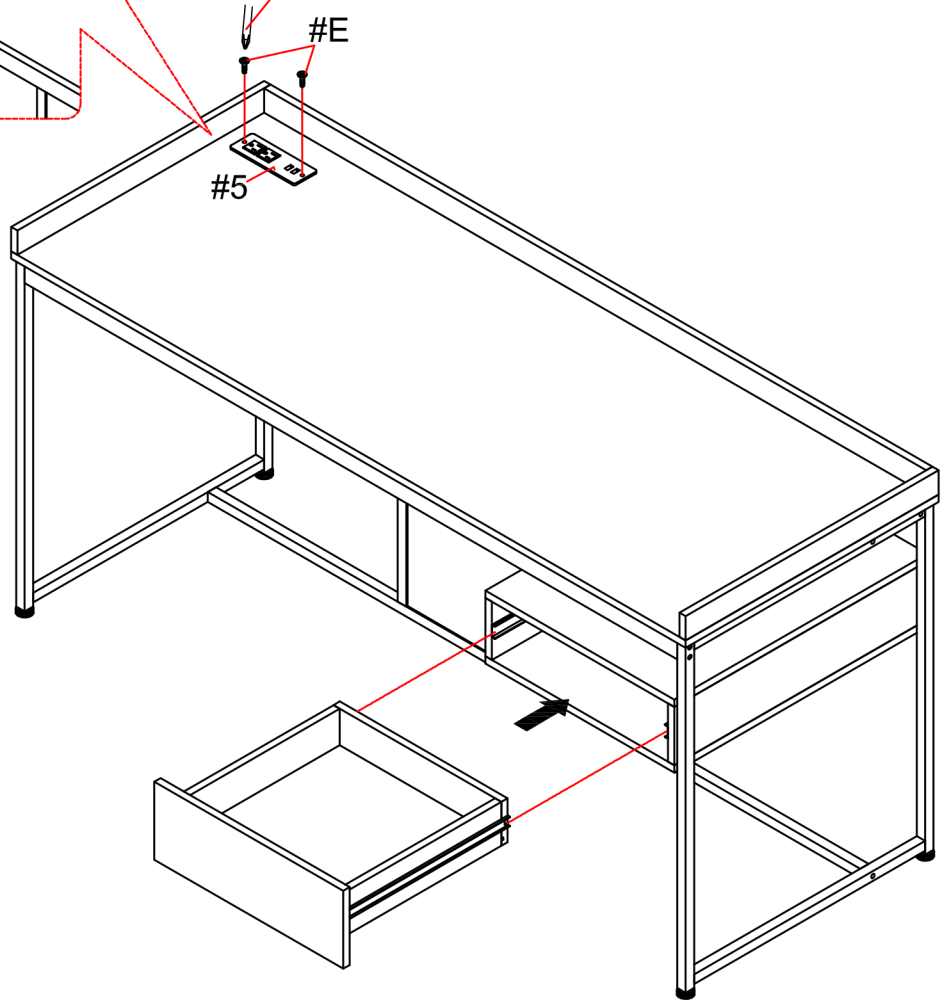
Part #5 x1pc

Hardware #E x2pcs



Attach cords of the USB socket to electrical outlet, then secure USB socket to top by using screws (#E).

Phillips screwdriver
(not included)



ASSEMBLY INSTRUCTIONS

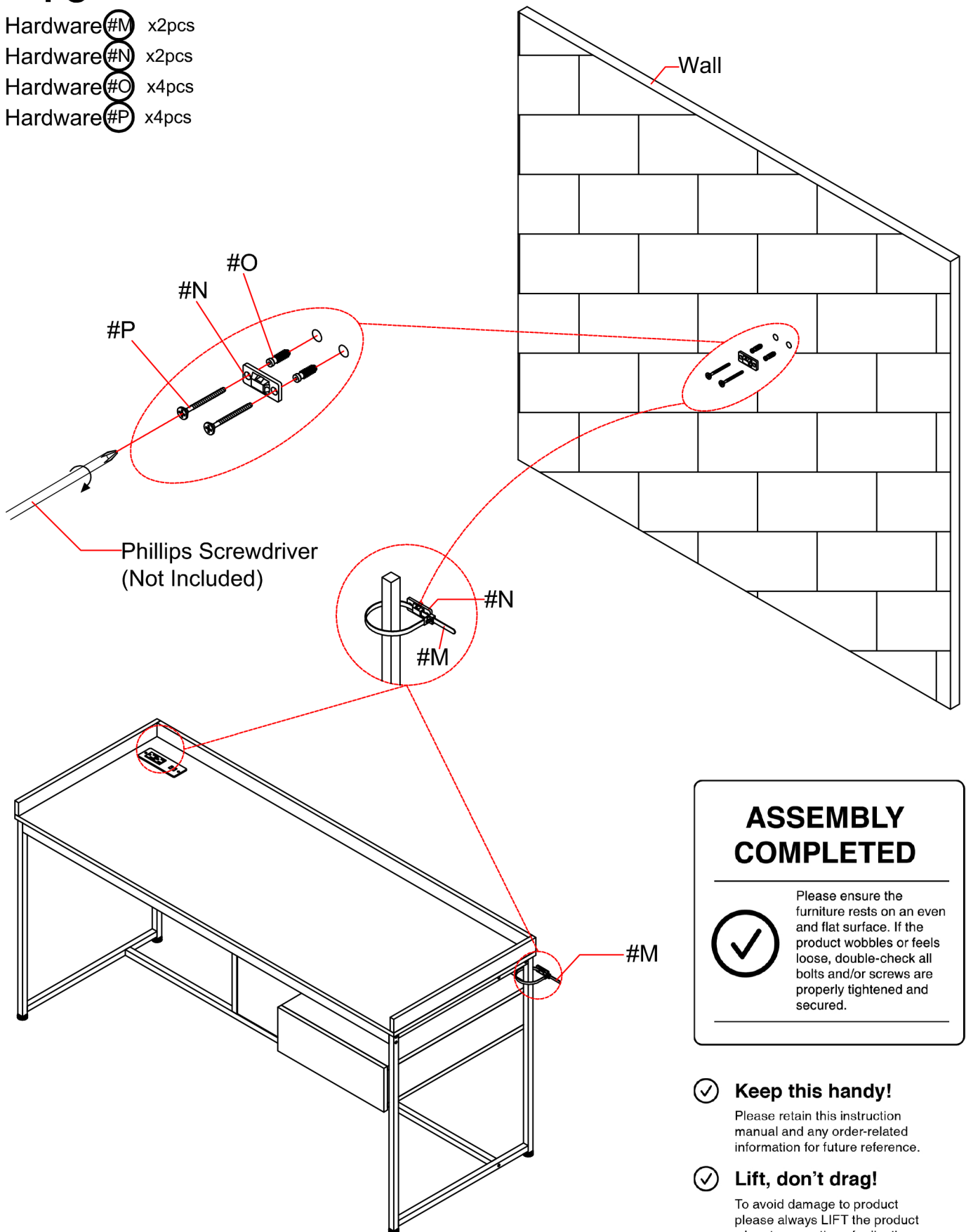
10

Hardware #M x2pcs

Hardware #N x2pcs

Hardware #O x4pcs

Hardware #P x4pcs



Phillips Screwdriver
(Not Included)

ASSEMBLY COMPLETED



Please ensure the furniture rests on an even and flat surface. If the product wobbles or feels loose, double-check all bolts and/or screws are properly tightened and secured.

✓ Keep this handy!

Please retain this instruction manual and any order-related information for future reference.

✓ Lift, don't drag!

To avoid damage to product please always LIFT the product when transporting or adjusting the placement.

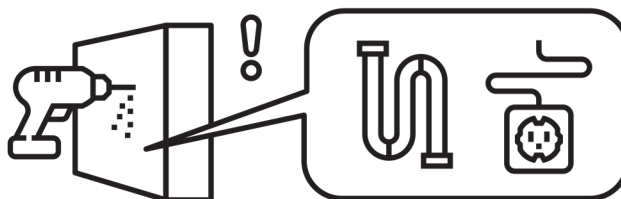
ASSEMBLY INSTRUCTIONS

Wall Mounting and Fixing



EXPANSION WALL ANCHOR

Our provided expansion wall anchors are only suitable for masonry walls, such as drywall, plaster or concrete, and are best for holding lightweight items or for anti-tip prevention. If you are unsure of the correct wall anchor to use with the product, please request professional guidance. Liability for product damage or failure due to using the incorrect anchors will fall on the installer.

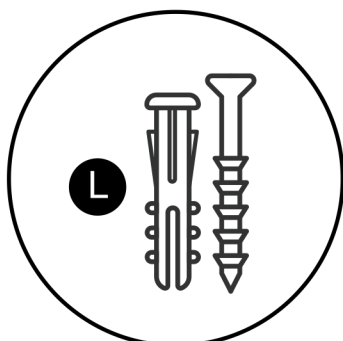


CHECK BEFORE PROCEEDING

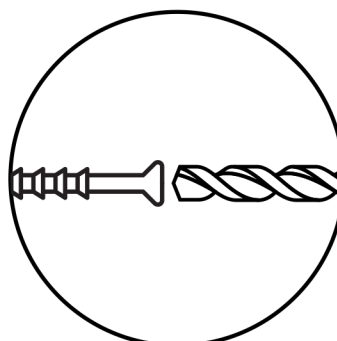
Prior to drilling or hammering, please check for wires or pipes. We recommend using a stud finder to locate a stud, which will offer more appropriate resistance and hold more weight.

QUICK TIPS

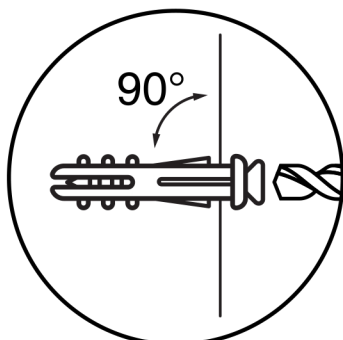
1. If unsure of the proper size, always choose a larger screw and wall anchor.



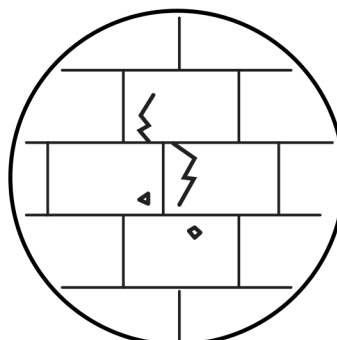
2. Match the drill bit to the wall anchor and hole size.



3. Only drill horizontally. Do not force the drill or enlarge the hole for the wall anchor.



4. Take extra care when drilling into high walls or ceramic tiles. Wall anchors should be a tight fit for the hole. Never use wall anchors in ceilings.



MAINTENANCE



We recommend a yearly check to see if the wall anchor or screw has loosened. If so, please remove the existing wall anchor and screw, and use a new anchor.