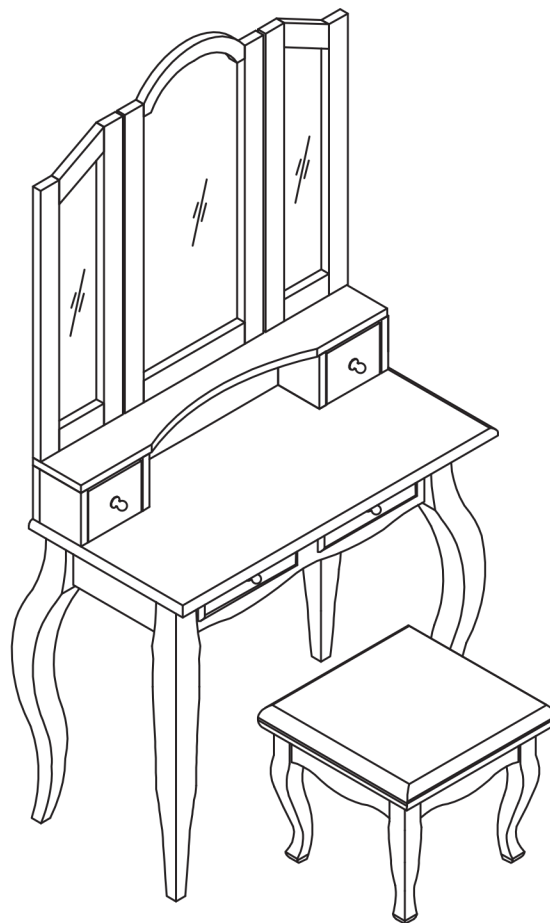


Assembly Instructions



ASSEMBLY RATING

The Assembly Rating is a 5-point system that shows the degree of effort needed in assembling a specific product (with 1 being easy and 5 being difficult). For some products, two persons are recommended.

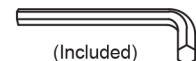
EASY



DIFFICULT

Tools Required For Assembly:

Allen Wrench



(Included)

Phillips Screwdriver



(Not Included)

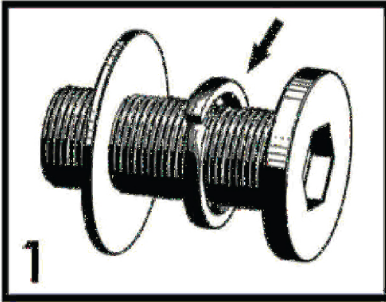


2 PERSONS RECOMMENDED

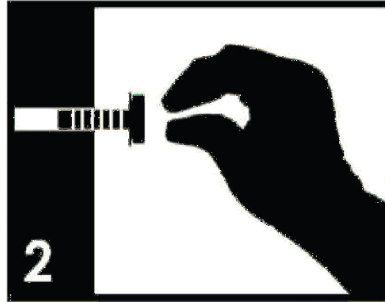
ASSEMBLY & CARE ADVICE

FOR YOUR FURNITURE TO LAST, CORRECT ASSEMBLY AND PROPER MAINTENANCE ARE NECESSARY. PLEASE FOLLOW THE INFORMATION PROVIDED BELOW TO FULLY ENJOY YOUR FURNITURE.

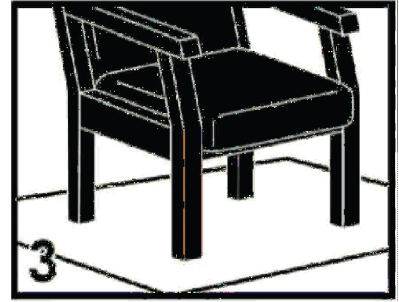
BASIC ASSEMBLY TECHNIQUES



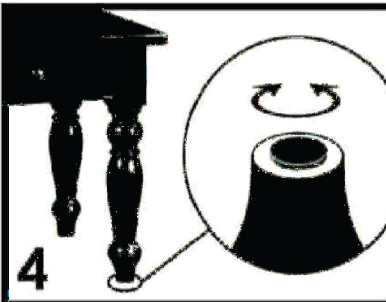
1
When lock or spring washer is used in an assembly, please make sure the lock or spring washer is placed between the larger flat washer and the head of the screw or bolt.



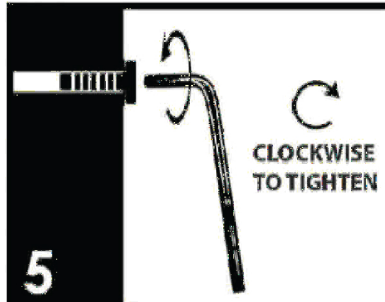
2
Position each part correctly and insert screws or bolts into their respective holes by hand tighten or using the proper hand tool. Only tighten when step is completed or when instructed to do so.



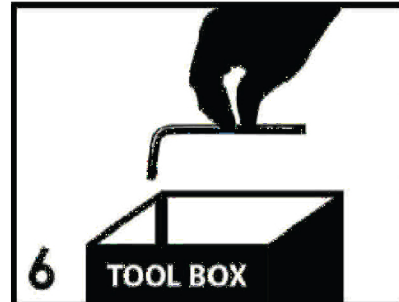
3
Use cardboard or carpet area when assembling furniture to prevent scratches. Make sure the furniture rests on a flat and level surface with each leg evenly touching the floor.



4
Some furniture comes with height adjustment knobs underneath each leg. To lower or to raise each leg, you need to turn clockwise or counterclockwise, respectively.



5
Make sure all parts are properly aligned, then use the appropriate hand tool to completely tighten the bolts or screws. Do not use power tools and do not overtighten.

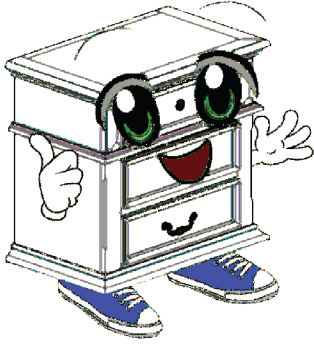


6
Save the instructions and store the Allen wrench or any supplied tool for later maintenance. After two weeks, check and tighten any loose hardware and repeat again every six months thereafter.

IT IS THE USER'S RESPONSIBILITY TO MAINTAIN THE FURNITURE. THE HARDWARE MAY LOOSEN OVER TIME AND MAY CAUSE THE FURNITURE TO BE WOBBLY AND UNABLE TO SUPPORT ITS INTENDED WEIGHT CAPACITY. THIS MAY LEAD TO COLLAPSE AND MAY CAUSE SERIOUS INJURY.



FAILURE TO FOLLOW THE GUIDELINES ABOVE MAY RESULT IN INJURY AND/OR PROPERTY DAMAGE.

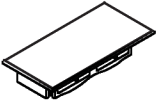


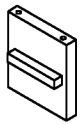

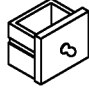
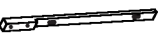










Before you begin, please read Page 2 of "Assembly and Care Advice".

And remember, do not tighten until each step is completed or instructed.

Parts List

Hardware List

	#1 x 1pc Cabinet body
	#2 x 4pcs Leg
	#3 x 2pcs Hutch Top
	#4 x 4pcs Hutch panel
	#5 x 1pc Hutch Back
	#6 x 2pcs Drawer
	#7 x 2pcs Mirror Support
	#8 x 1pc Mirror Middle
	#9 x 2pcs Mirror L&R

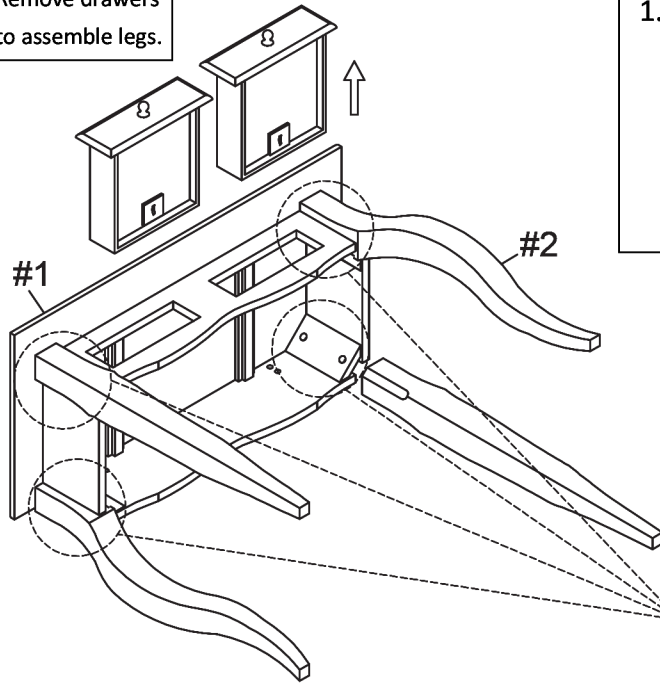
	#A x 16pcs Bolt 1/4 x 2"
	#B x 16pcs Flat Washer Ø1/4"
	#C x 16pcs Lock Washer Ø1/4"
	#D x 1pc Allen Key 4mm
	#E x 4pcs Barrel Nuts Ø1/4"
	#F x 4pcs Bolt 1/4" x 1-3/8"



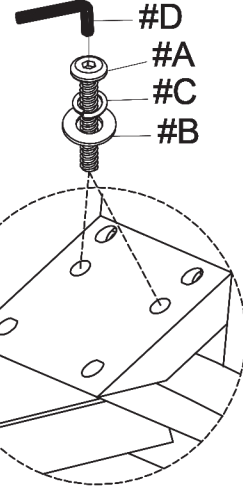
#1

Remove drawers to assemble legs.

#A x 8pcs
#B x 8pcs
#C x 8pcs



1. Prepare 8 bolt assemblies by first inserting a lock washer (#C) onto the bolt (#A) then a flat washer (#B) onto that same bolt (#A).



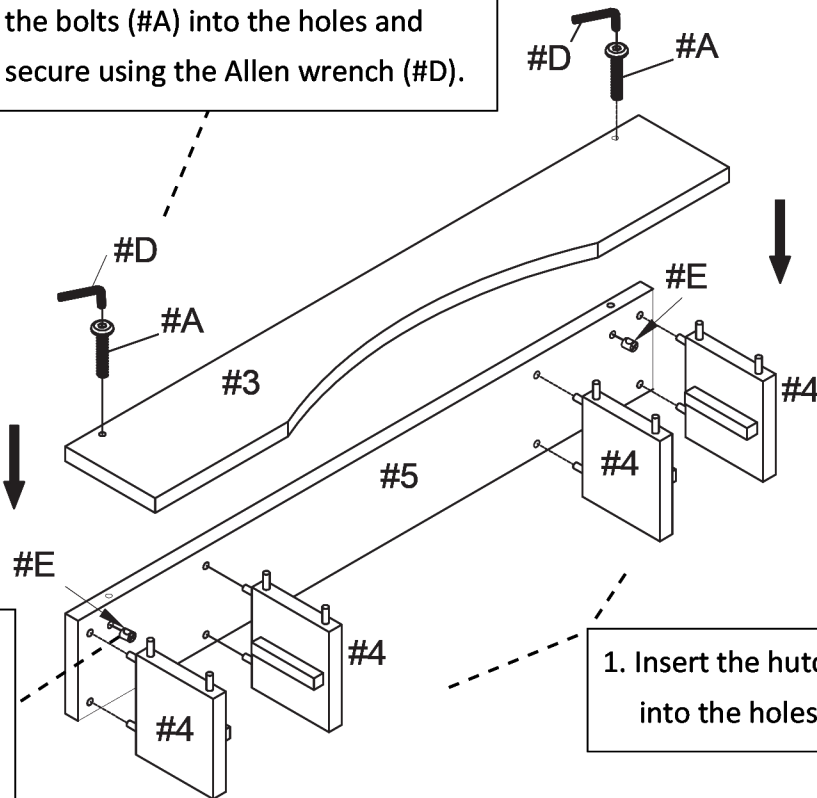
2. Align the legs (#2) to the corners along the cabinet body (#1), then insert the bolt assemblies from within and secure.



#2

3. Align the hutch top (#3), then insert the bolts (#A) into the holes and secure using the Allen wrench (#D).

#A x 2pcs
#E x 2pcs

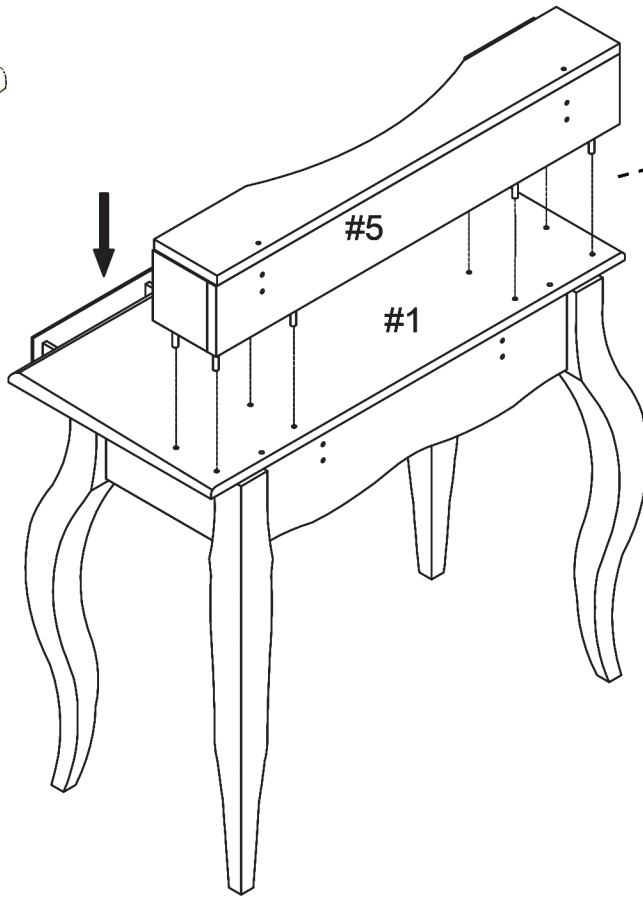


2. Insert the barrel nuts (#E) into the large holes. Make sure the openings face the holes.

1. Insert the hutch panels (#4) into the holes displayed.



#3

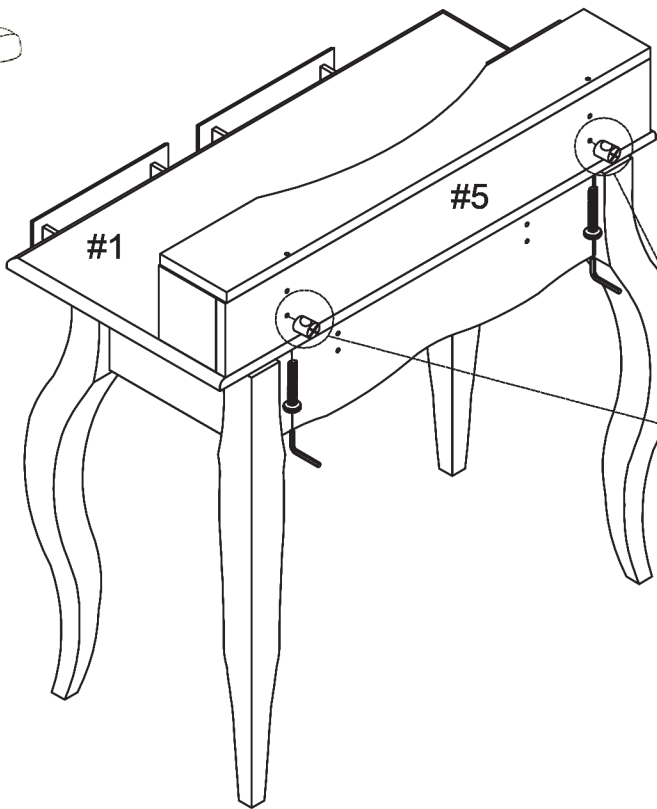


Insert into the holes along the cabinet body (#1).

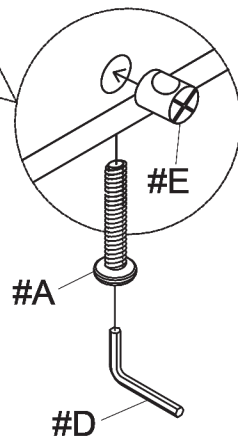


#4

#A x 2pcs
#E x 2pcs



Insert the barrel nuts (#E) into the large holes with the openings facing the hole, then insert the bolts (#A) from beneath. Secure using the Allen wrench (#D).



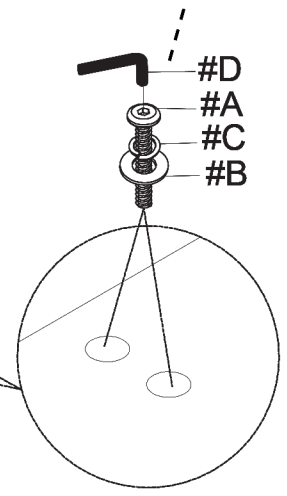
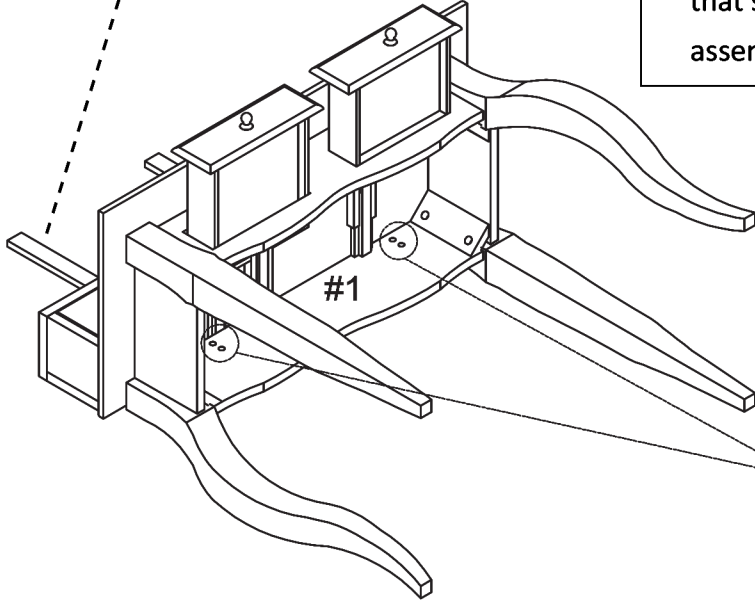


#5

1. Align the mirror supports (#7) to the holes along the back.

2. Prepare 4 bolt assemblies by first inserting a lock washer (#C) onto the bolt (#A) then a flat washer (#B) onto that same bolt (#A). Insert a bolt assembly into each hole and secure.

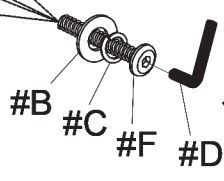
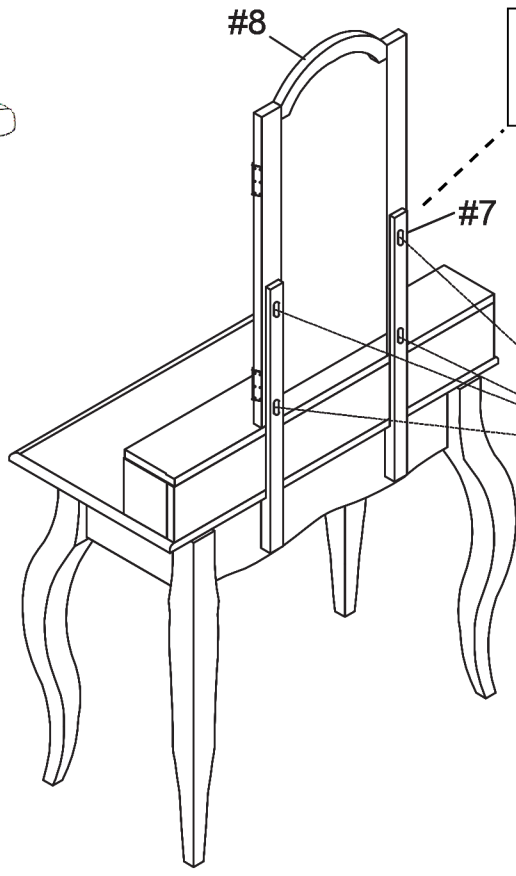
#A x 4pcs
#B x 4pcs
#C x 4pcs



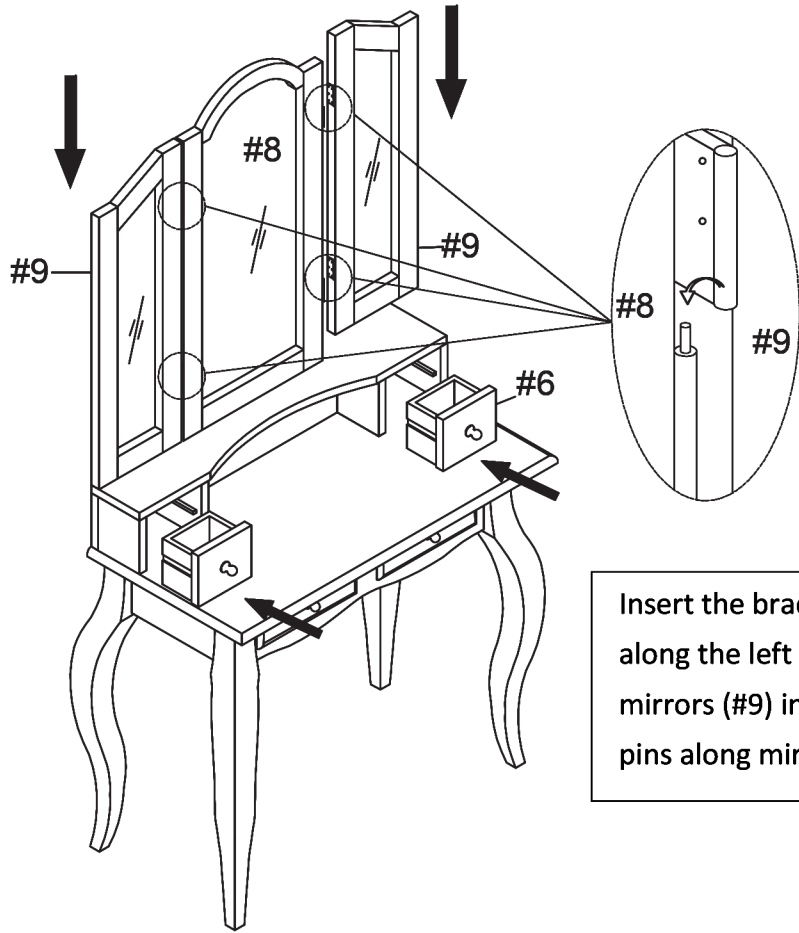
#6

1. Align the mirror (#8) to the holes along the supports.

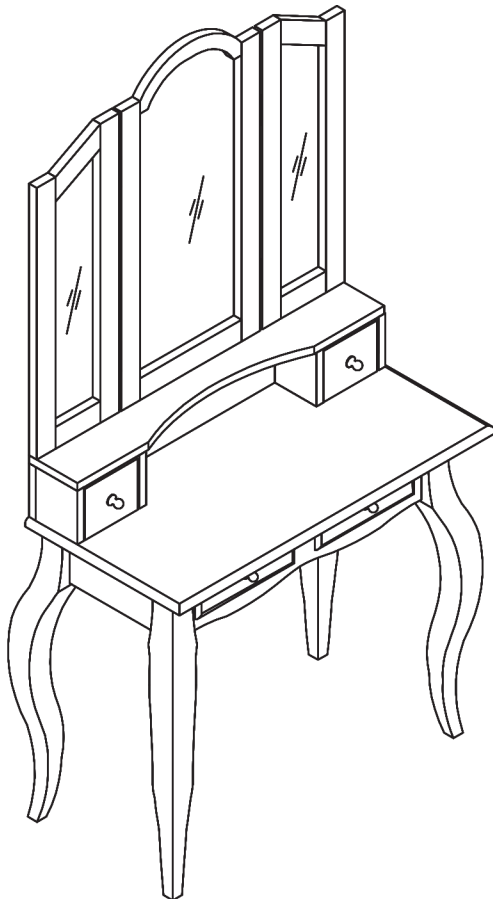
#B x 4pcs
#C x 4pcs
#F x 4pcs



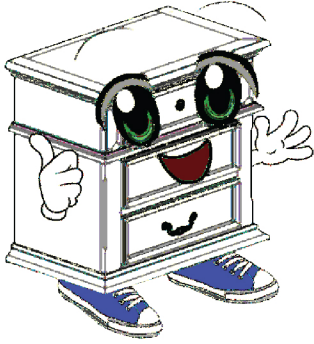
2. Prepare 4 bolt assemblies by first inserting a lock washer (#C) onto the bolt (#F) then a flat washer (#B) onto that same bolt (#F). Insert a bolt assembly into each hole and secure.



Insert the brackets along the left and right mirrors (#9) into the pins along mirror (#8).



ASSEMBLY IS COMPLETED

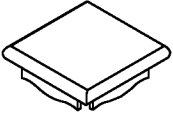







Before you begin, please read Page 2 of "Assembly and Care Advice".

And remember, do not tighten until each step is completed or instructed.

Parts List

Hardware List

-  #1 x 1pc
Seat
-  #2 x 4pcs
Leg

-  #A x 8pcs
Bolt $\text{Ø}1/4"$ x 2"
-  #B x 8pcs
Flat Washer $\text{Ø}1/4"$
-  #C x 8pcs
Lock Washer $\text{Ø}1/4"$
-  #D x 1pc
Allen Key 4mm



- #A x 8pcs
- #B x 8pcs
- #C x 8pcs

