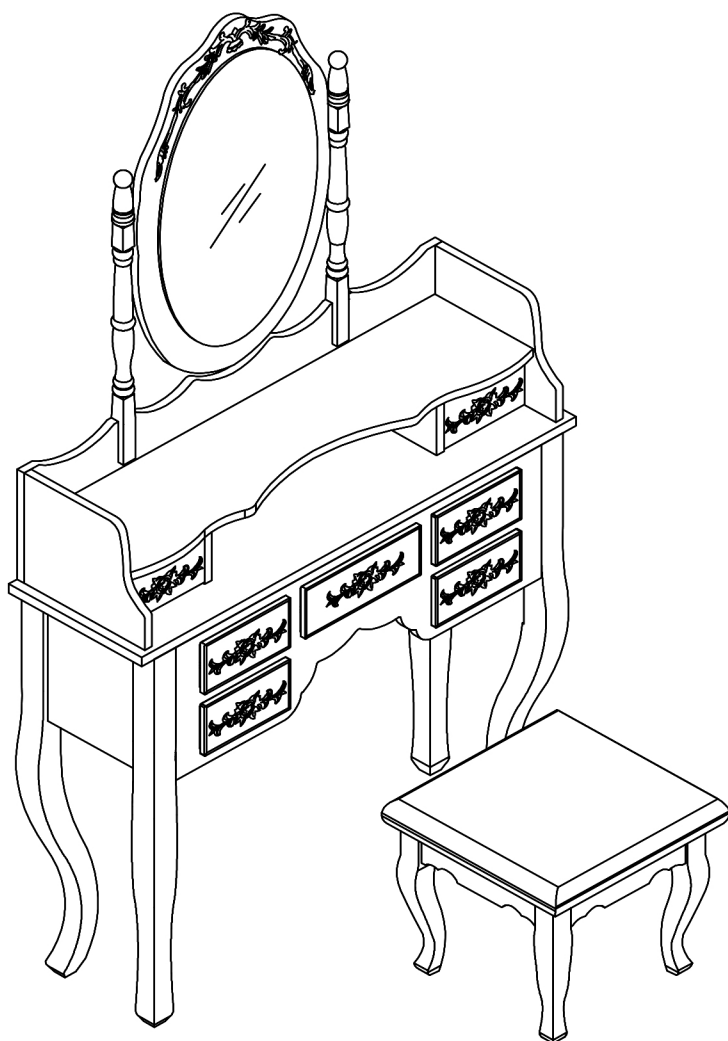


ASSEMBLY INSTRUCTIONS



TOOLS REQUIRED



Allen Wrench

(Included)



**Phillips
Screwdriver**

(Not Included)



**2 - People
Recommended**

ASSEMBLY RATING



EASY —————> DIFFICULT

The Assembly Rating is a 5-point system showing the level of effort needed to assemble a specific product.



CHECK BEFORE STARTING

Are you missing anything?

Double-check all parts, hardware and accessories listed on Page 6 are accounted for.

Check out our Quick Tips!

We recommend reviewing the pre-assembly handouts. Even experts need a refresher now and then!

Should we send any replacements?

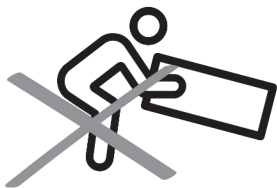
Are there any irregularities or flaws in the parts? We can send replacements!

Prep Time!

Please review the assembly instructions and all diagrams prior to assembling. Arrange parts as recommended on Page 7 and group identical hardware together to make assembling easier.

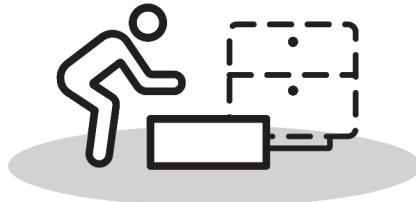
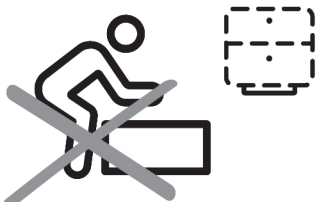
PRE ASSEMBLY INTRODUCTION

We understand building ready-to-assemble furniture can be a challenging experience for some. To help avoid confusion, we have provided some helpful tips that may speed up the process.



Teamwork

ALWAYS have at least two people to help with transporting and assembling the product to avoid potential injury and/or damage.



Suitable Location

Assembling near the area of the intended location is highly recommended.



Sufficient Space

Make sure you have enough space to move around during the assembly.



Avoid Scratches

Use cardboard, blankets or a carpeted area while assembling furniture to prevent scratches.



Flat Surface

Make sure the furniture rests on a flat and level surface with each leg evenly touching the floor.

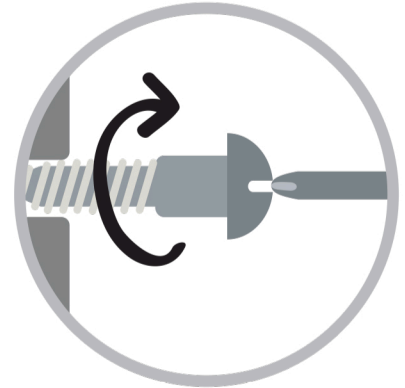
ASSEMBLY AND CARE ADVICE



FAILURE TO FOLLOW THE GUIDELINES BELOW MAY RESULT IN INJURY AND/OR PROPERTY DAMAGE.



Position each part correctly and insert screws or bolts into their respective holes.



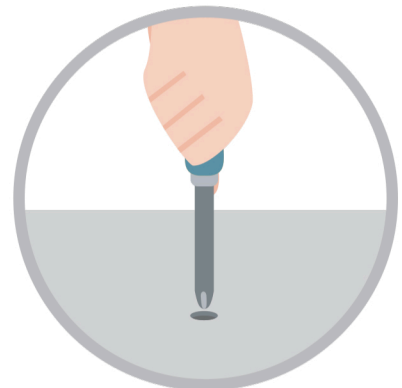
Turn clockwise to tighten and only tighten when step is completed or when instructed to do so.



Use the appropriate hand tools or power tools for assembly. Select steps, such as tightening screws and/or bolts, may require hand tools to avoid causing damage during assembly.



Save the instructions and store any supplied tools for later maintenance.



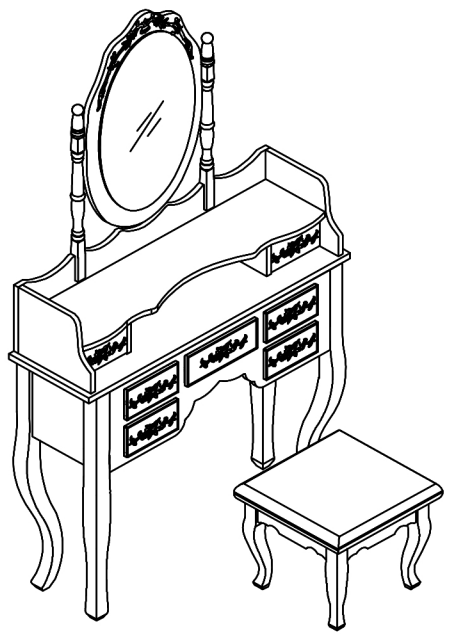
After two weeks, check and tighten any loose hardware and repeat again every six months thereafter.

IT IS THE USER'S RESPONSIBILITY TO MAINTAIN THE FURNITURE. THE HARDWARE MAY LOOSEN OVER TIME AND MAY CAUSE THE FURNITURE TO BE WOBBLY AND UNABLE TO SUPPORT ITS INTENDED WEIGHT CAPACITY. THIS MAY LEAD TO COLLAPSE AND MAY CAUSE SERIOUS INJURY.

VANITY SET



- Please keep instructions for future reference.
- Check the quantity and irregularity of parts and hardware before you start.



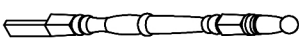
PARTS

#1 1pc



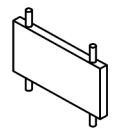
Mirror

#2 2pcs



Mirror Support

#3 2pcs



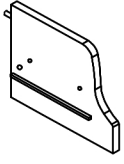
Center Panel

#4 1pc



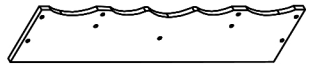
Top Panel

#5 2pcs



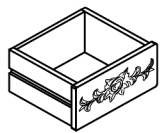
Side Panel

#6 1pc



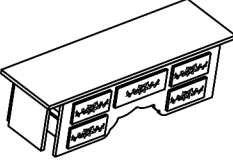
Back Panel

#7 2pcs



Drawer Top

#8 1pc



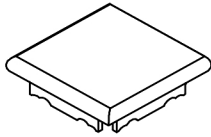
Cabinet body

#9 4pcs



Table Leg

#10 1pc



Stool Seat

#11 4pcs



Stool Leg

HARDWARE

#A 21pcs



Bolt Ø1/4" x 2"

#B 16pcs



Lock washer Ø1/4"

#C 16pcs



Flat Washer
Ø5/16" x 19mm

#D 1pc



Allen Wrench 4mm

#E 5pcs



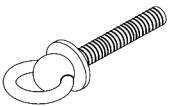
Barrel Nuts Ø1/4"

#F 4pcs



Bolt Ø5/32 x 1"

#G 2pcs



Mirror Bolt
Ø5/16"x8x1-7/9"

#H 4pcs



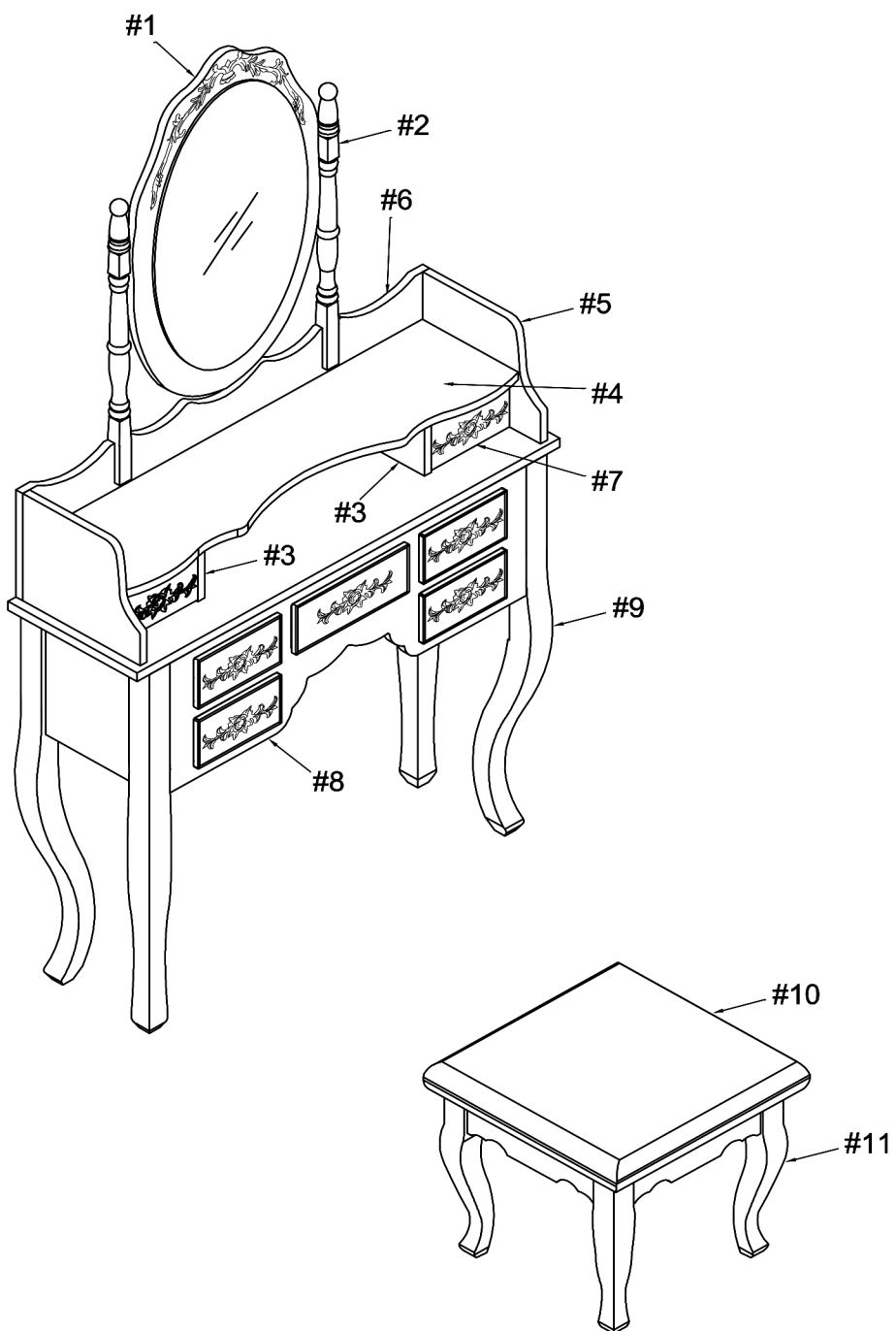
Flat Washer M4

#I 1set



Anti-tip Skit

Exploded View

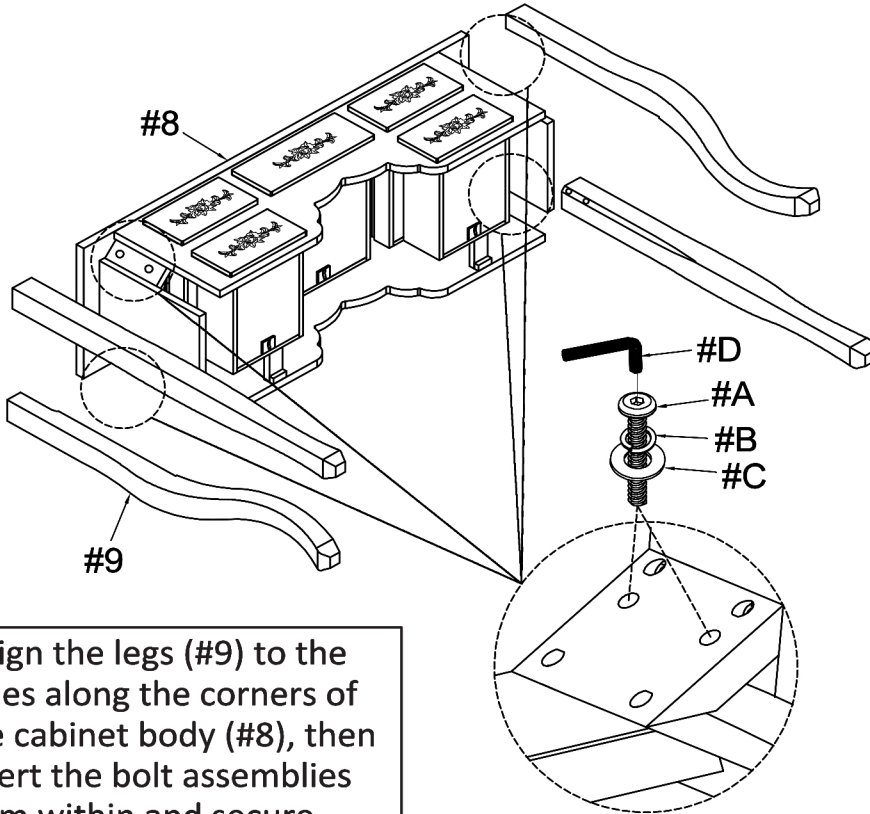


ASSEMBLY INSTRUCTIONS

1. Prepare 8 bolt assemblies by first inserting a lock washer (#B) onto the bolt (#A) then a flat washer (#C) onto that same bolt (#A).

1

- Part #8 x1pc
- Part #9 x4pcs
- Hardware #A x8pcs
- Hardware #B x8pcs
- Hardware #C x8pcs

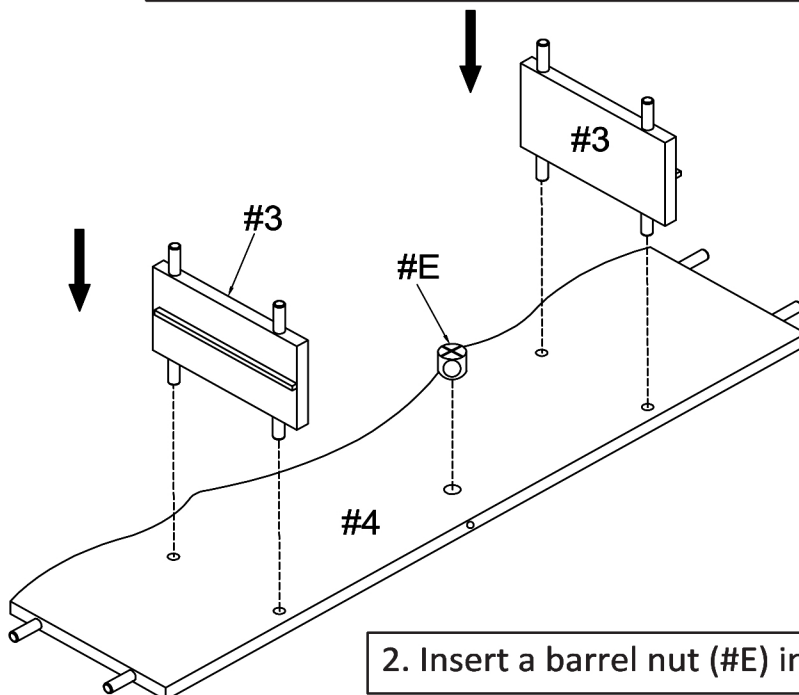


2. Align the legs (#9) to the holes along the corners of the cabinet body (#8), then insert the bolt assemblies from within and secure using the Allen wrench (#D).

2

- Part #3 x2pcs
- Part #4 x1pc
- Hardware #E x1pc

1. Insert the pins along the center panels (#3) into the holes along the top panel (#4).



2. Insert a barrel nut (#E) into the large hole.

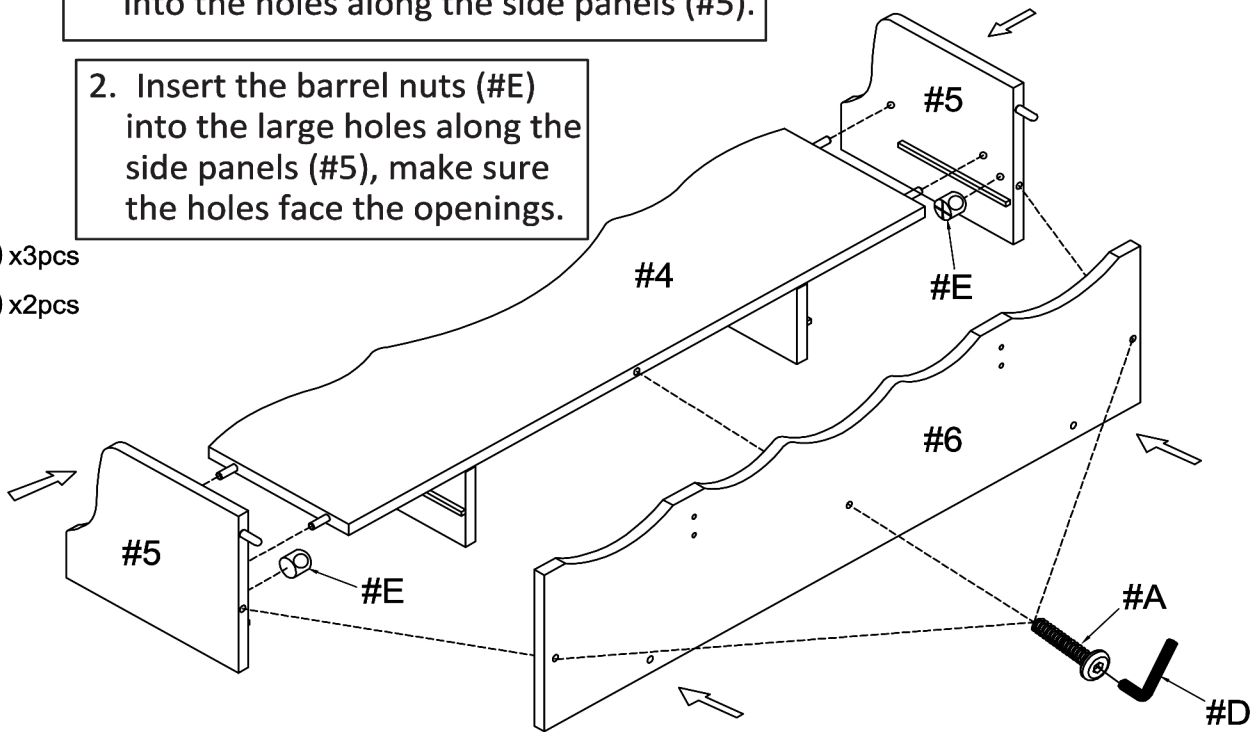
ASSEMBLY INSTRUCTIONS

3

- Part **#4** x1pc
- Part **#5** x2pcs
- Part **#6** x1pc
- Hardware **#A** x3pcs
- Hardware **#E** x2pcs

1. Insert the pins along the top panel (#4) into the holes along the side panels (#5).

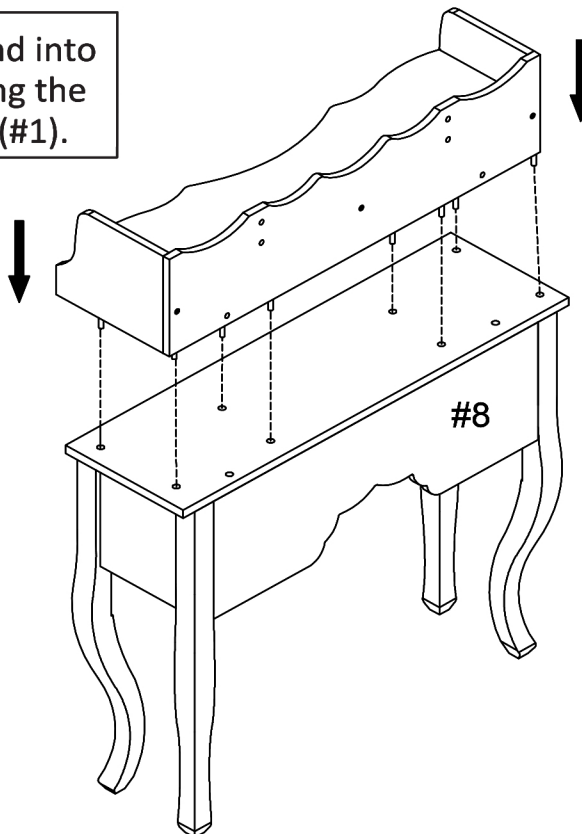
2. Insert the barrel nuts (#E) into the large holes along the side panels (#5), make sure the holes face the openings.



3. Then insert the bolts (#A) into the back panel (#6) and secure.

4

Insert each end into the holes along the cabinet body (#1).

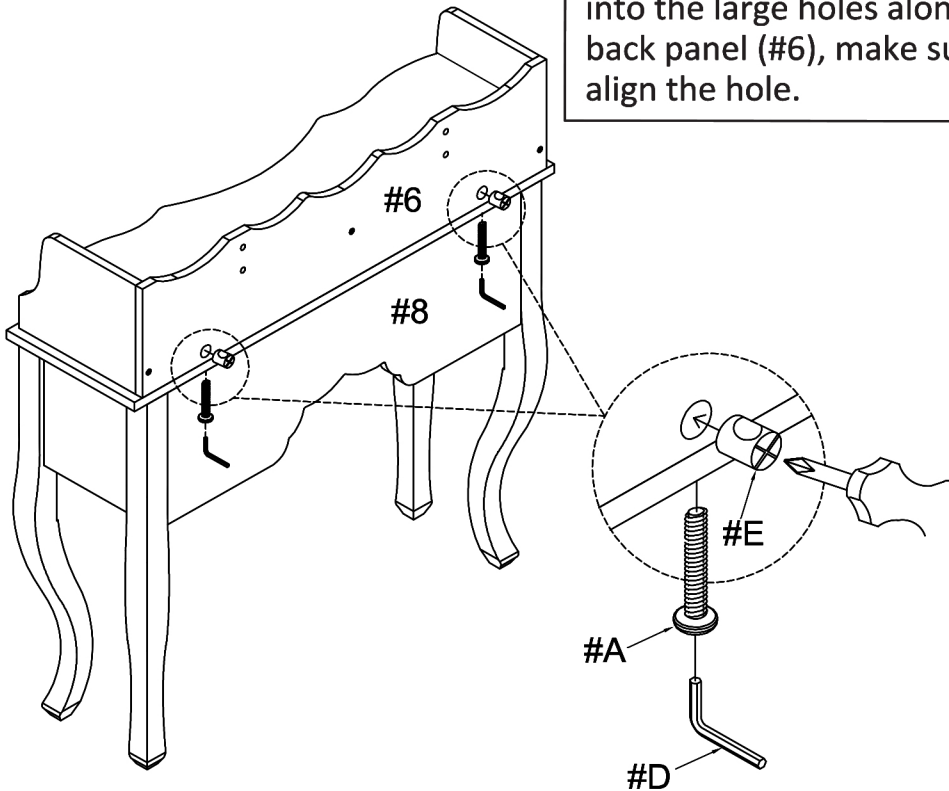


ASSEMBLY INSTRUCTIONS

5

Hardware **#A** x2pcs

Hardware **#E** x2pcs



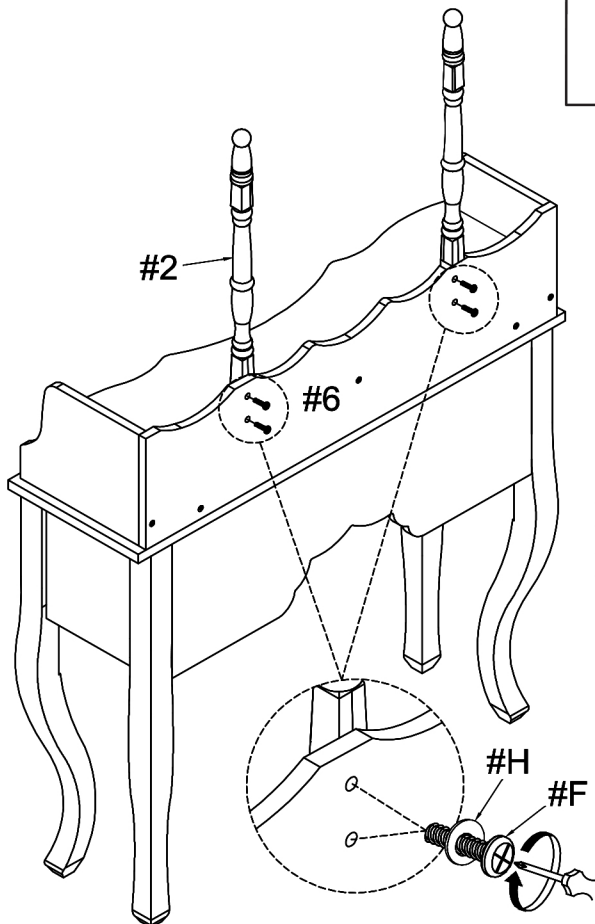
1. Insert the barrel nut (**#E**) into the large holes along the back panel (**#6**), make sure to align the hole.

6

Part **#2** x2pcs

Hardware **#F** x4pcs

Hardware **#H** x4pcs



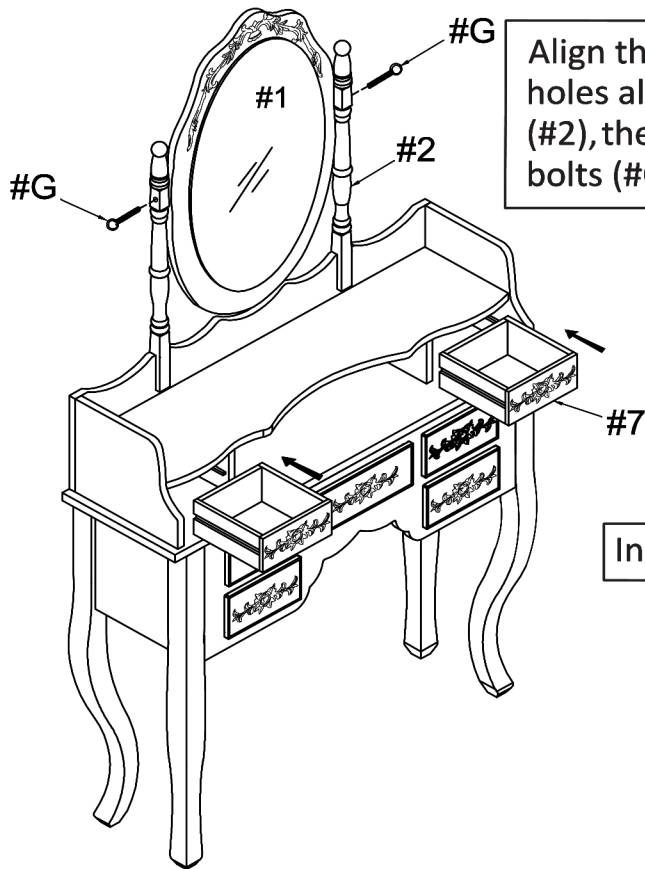
2. Insert the bolts (**#A**) into the holes from beneath and into the nuts. Secure using the Allen wrench (**#D**).

Align the mirror supports (**#2**) to the holes along the back panel (**#6**), then insert a bolt (**#F**) with flat washer (**#H**) into each hole and secure.

ASSEMBLY INSTRUCTIONS

7

- Part #1 x1pc
- Part #7 x2pcs
- Hardware #G x2pcs

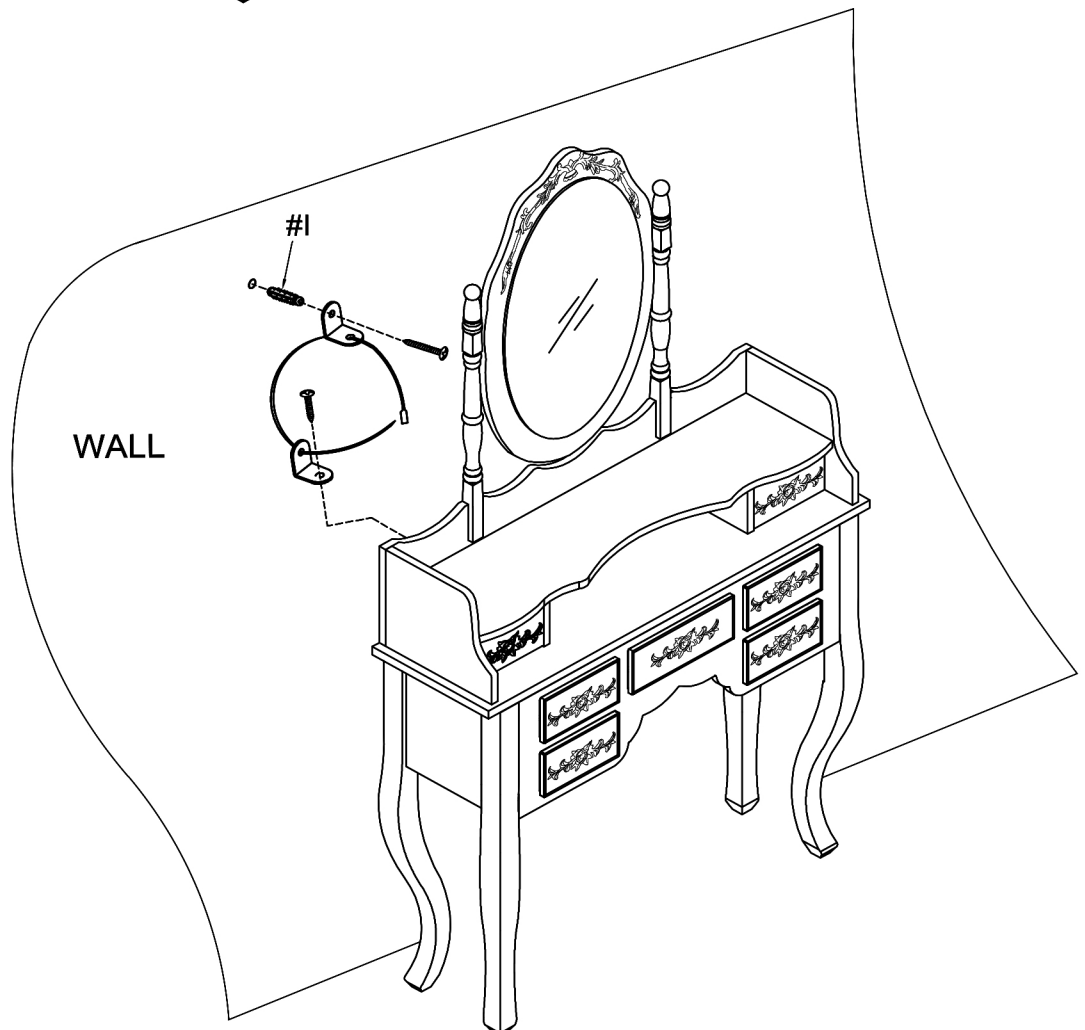


Align the mirror (#1) to the holes along the mirror supports (#2), then insert the mirror bolts (#G). Turn right to secure.

Insert the drawer top (#7)

8

- Hardware #I x1SET



ASSEMBLY INSTRUCTIONS

9

Part #10 x1pc

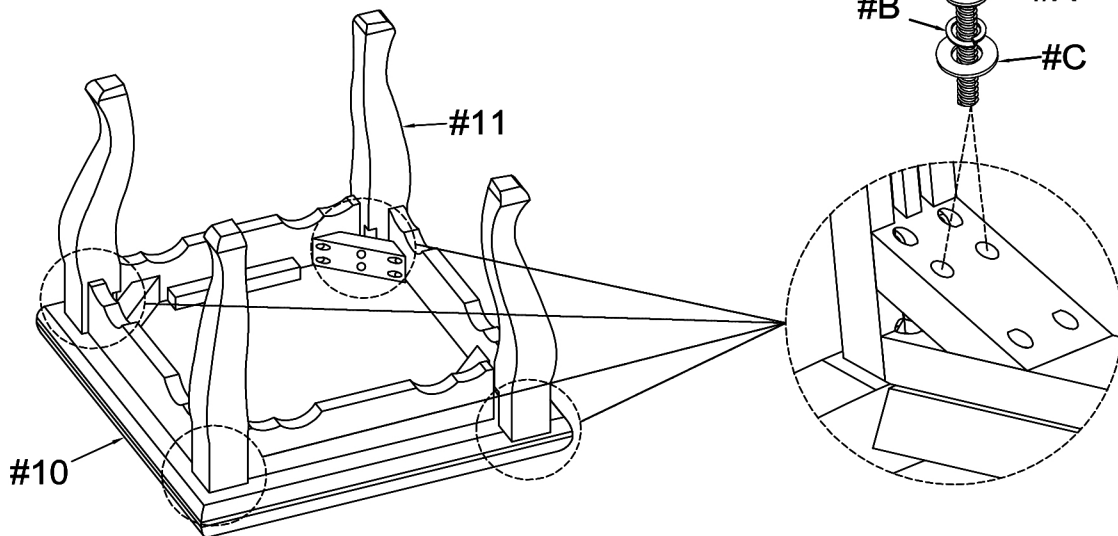
Part #11 x4pcs

Hardware #A x8pcs

Hardware #B x8pcs

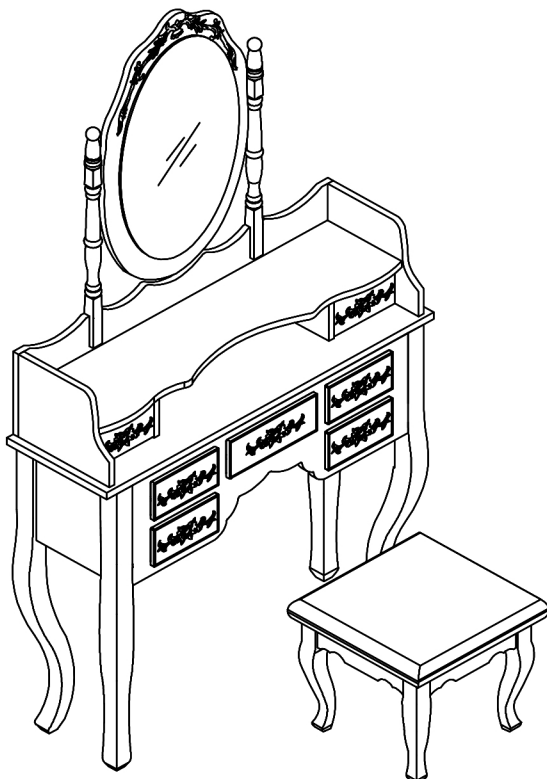
Hardware #C x8pcs

1. Prepare 8 bolt assemblies by first inserting a lock washer (#B) onto the bolt (#A) then a flatwasher (#C) onto that same bolt (#A).



2. Align the legs (#2) to the holes along the corners of the seat (#1), then insert the bolt assemblies from within and secure using the Allen wrench (#D).

10



ASSEMBLY COMPLETED



Please ensure the furniture rests on an even and flat surface. If the product wobbles or feels loose, double-check all bolts and/or screws are properly tightened and secured.



Keep this handy!

Please retain this instruction manual and any order-related information for future reference.



Lift, don't drag!

To avoid damage to product please always LIFT the product when transporting or adjusting the placement.

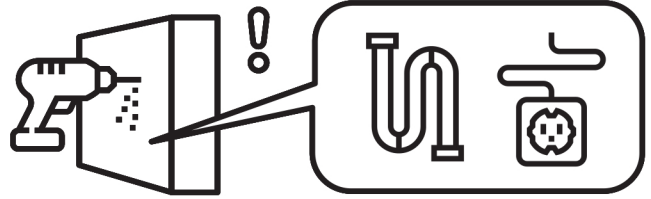
ASSEMBLY INSTRUCTIONS

Wall Mounting and Fixing



EXPANSION WALL ANCHOR

Our provided expansion wall anchors are only suitable for masonry walls, such as drywall, plaster or concrete, and are best for holding lightweight items or for anti-tip prevention. If you are unsure of the correct wall anchor to use with the product, please request professional guidance. Liability for product damage or failure due to using the incorrect anchors will fall on the installer.

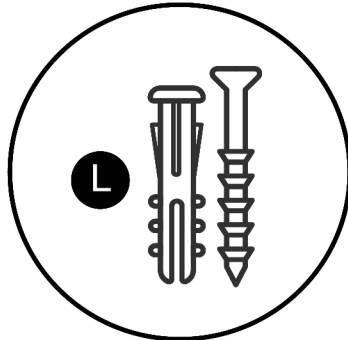


CHECK BEFORE PROCEEDING

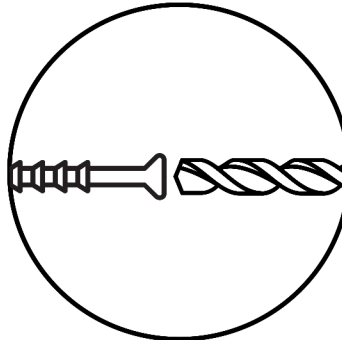
Prior to drilling or hammering, please check for wires or pipes. We recommend using a stud finder to locate a stud, which will offer more appropriate resistance and hold more weight.

QUICK TIPS

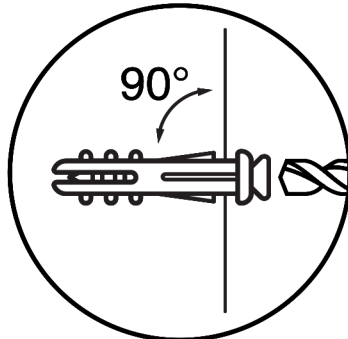
1. If unsure of the proper size, always choose a larger screw and wall anchor.



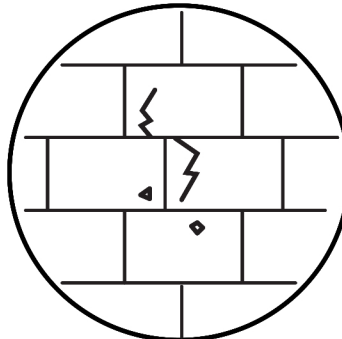
2. Match the drill bit to the wall anchor and hole size.



3. Only drill horizontally. Do not force the drill or enlarge the hole for the wall anchor.



4. Take extra care when drilling into high walls or ceramic tiles. Wall anchors should be a tight fit for the hole. Never use wall anchors in ceilings.



MAINTENANCE



We recommend a yearly check to see if the wall anchor or screw has loosened. If so, please remove the existing wall anchor and screw, and use a new anchor.