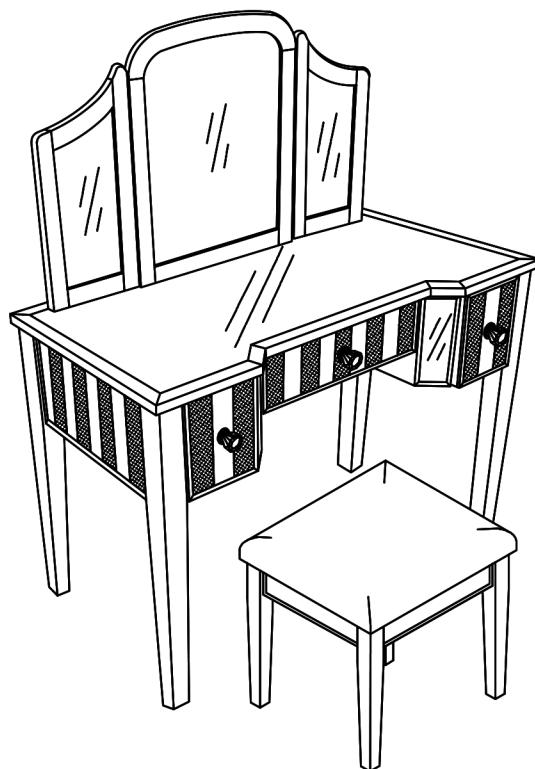


Assembly Instructions



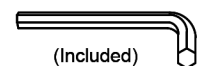
ASSEMBLY RATING

The Assembly Rating is a 5-point system that shows the degree of effort needed in assembling a specific product (with 1 being easy and 5 being difficult). For some products, two persons are recommended.

EASY  DIFFICULT

Tools Required For Assembly:

Allen Wrench



(Included)

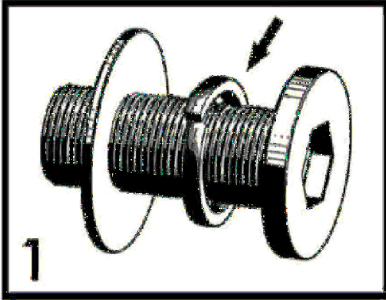


2 PERSONS RECOMMENDED

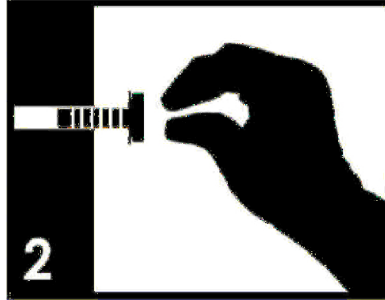
ASSEMBLY & CARE ADVICE

FOR YOUR FURNITURE TO LAST, CORRECT ASSEMBLY AND PROPER MAINTENANCE ARE NECESSARY. PLEASE FOLLOW THE INFORMATION PROVIDED BELOW TO FULLY ENJOY YOUR FURNITURE.

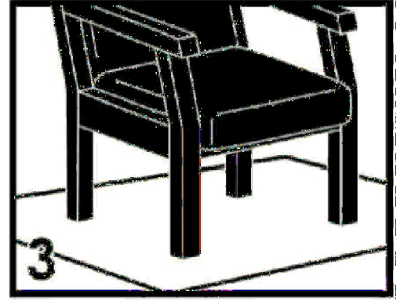
BASIC ASSEMBLY TECHNIQUES



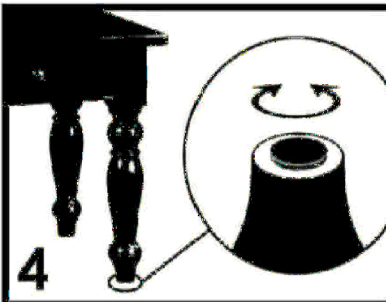
1
When lock or spring washer is used in an assembly, please make sure the lock or spring washer is placed between the larger flat washer and the head of the screw or bolt.



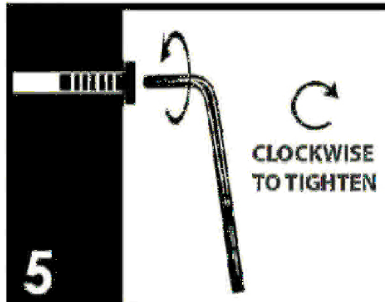
2
Position each part correctly and insert screws or bolts into their respective holes by hand tighten or using the proper hand tool. Only tighten when step is completed or when instructed to do so.



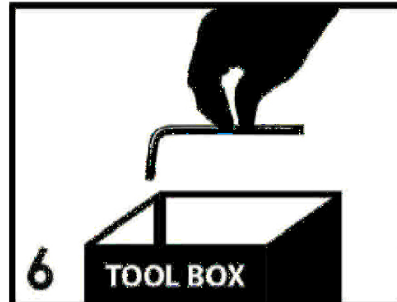
3
Use cardboard or carpet area when assembling furniture to prevent scratches. Make sure the furniture rests on a flat and level surface with each leg evenly touching the floor. No dragging of products/parts.



4
Some furniture comes with height adjustment knobs underneath each leg. To lower or to raise each leg, you need to turn clockwise or counterclockwise, respectively.



5
Make sure all parts are properly aligned, then use the appropriate hand tool to completely tighten the bolts or screws. Do not use power tools and do not overtighten.

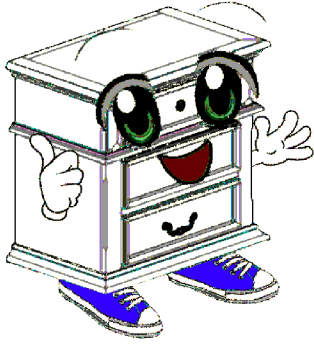


6
Save the instructions and store the Allen wrench or any supplied tool for later maintenance. After two weeks, check and tighten any loose hardware and repeat again every six months thereafter.

IT IS THE USER'S RESPONSIBILITY TO MAINTAIN THE FURNITURE. THE HARDWARE MAY LOOSEN OVER TIME AND MAY CAUSE THE FURNITURE TO BE WOBBLY AND UNABLE TO SUPPORT ITS INTENDED WEIGHT CAPACITY. THIS MAY LEAD TO COLLAPSE AND MAY CAUSE SERIOUS INJURY.



FAILURE TO FOLLOW THE GUIDELINES ABOVE MAY RESULT IN INJURY AND/OR PROPERTY DAMAGE.

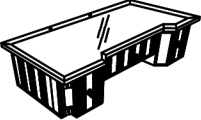


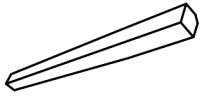
Before you begin, please read Page 2 of "Assembly and Care Advice".


And remember, do not tighten until each step is completed or instructed.

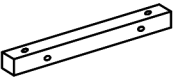
Parts List

Hardware List


- 


#1 x 1pc
Cabinet body
- 


#2 x 4pcs
Leg
- 


#3 x 1pc
Mirror
- 


#4 x 1pc
Mirror connecting rod

- 

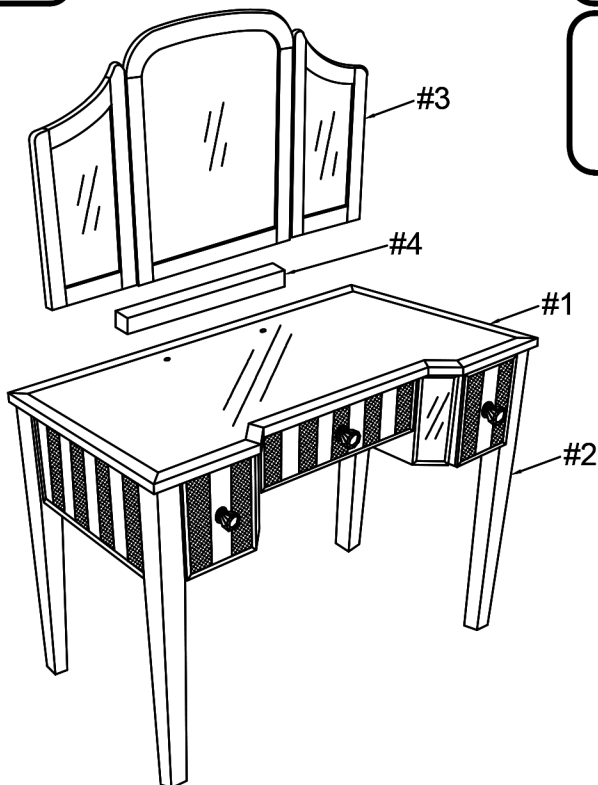
#A x 8pcs
Bolt Ø1/4" x 2"
- 

#B x 8pcs
Lock Washer Ø1/4"
- 

#C x 8pcs
Flat Washer Ø5/16"
- 

#D x 1pc
Allen Key 4mm
- 

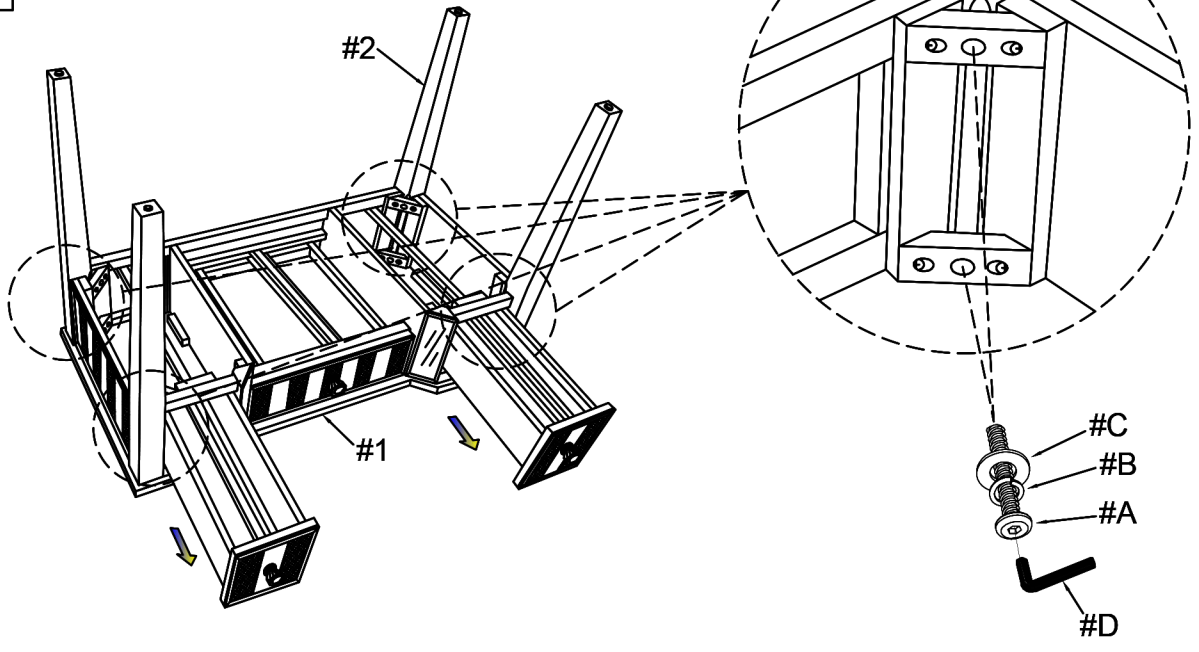
#E x 4pcs
Bolt Ø1/4" x 1-3/8"





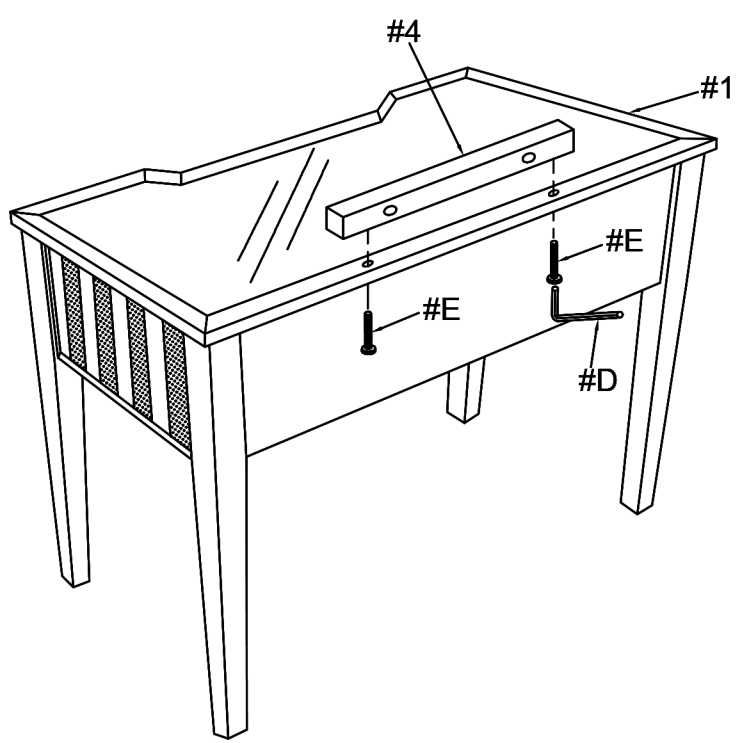
Extend the drawers of cabinet body (#1), then align legs (#2) to the holes of the cabinet body (#1). Secure by using bolts (#A) with washers (#B,C).

#A x 8pcs
#B x 8pcs
#C x 8pcs



Align mirror connecting rod (#4) to the holes of the cabinet body (#1), then secure by using bolts (#E).

#E x 2pcs

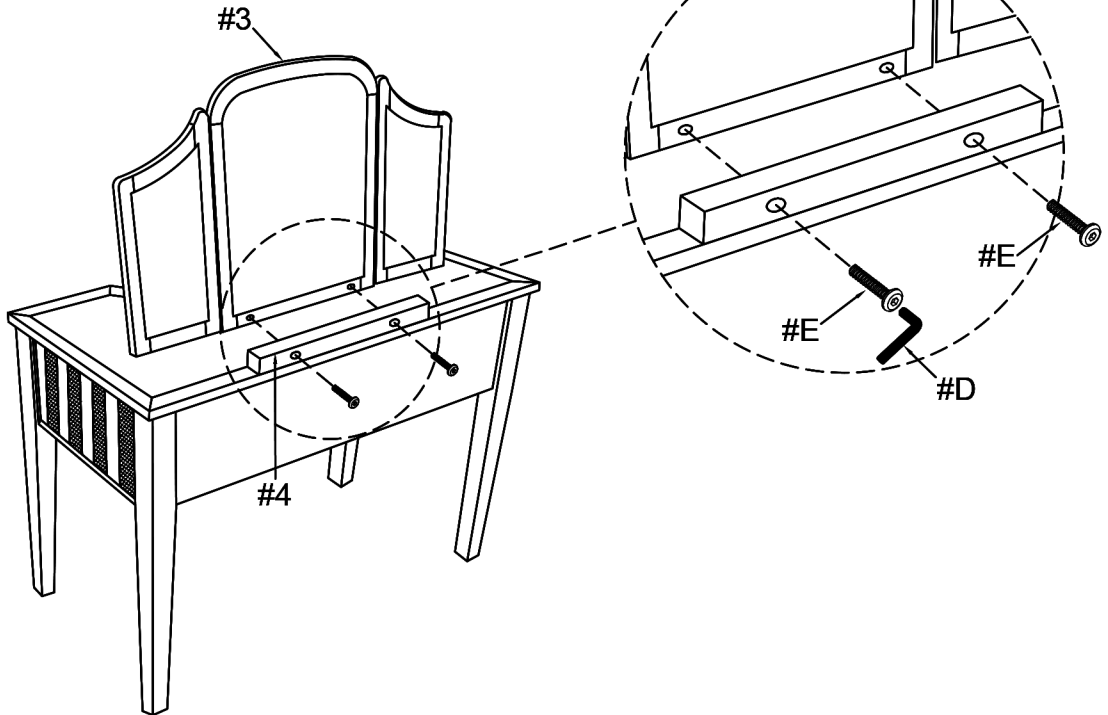




#3

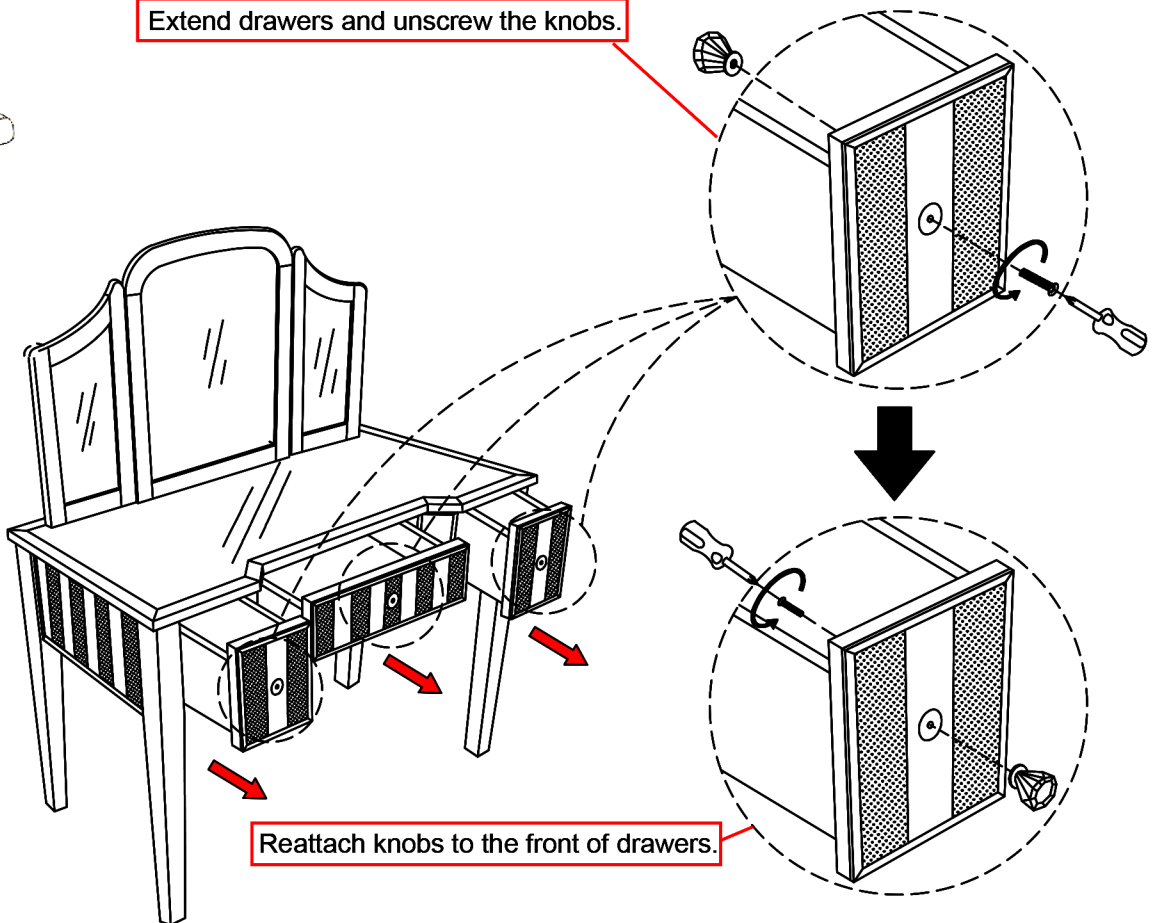
#E x 2pcs

Align mirror (#3) to the holes of the mirror connecting rod (#4), then secure by using bolts (#E).

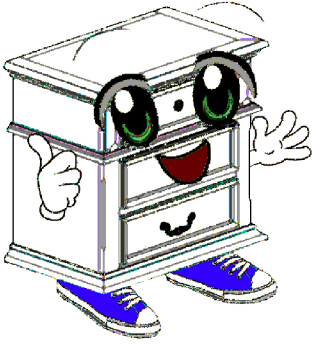


#4

Extend drawers and unscrew the knobs.



Reattach knobs to the front of drawers.

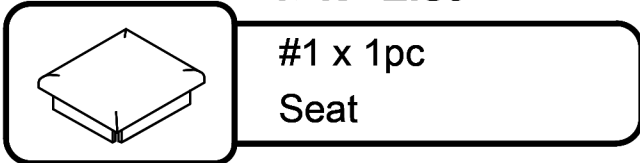


Before you begin, please read Page 2 of "Assembly and Care Advice".

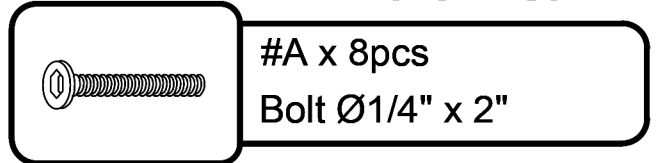
And remember, do not tighten until each step is completed or instructed.

Parts List

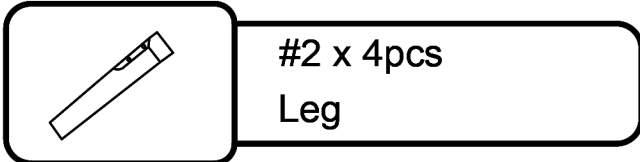
Hardware List



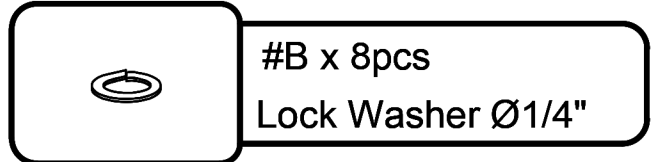
#1 x 1pc
Seat



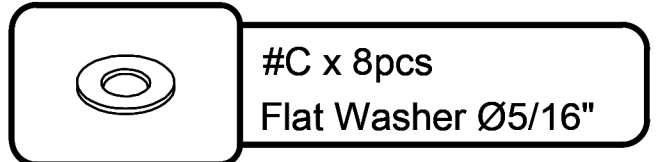
#A x 8pcs
Bolt $\text{\O}1/4" \times 2"$



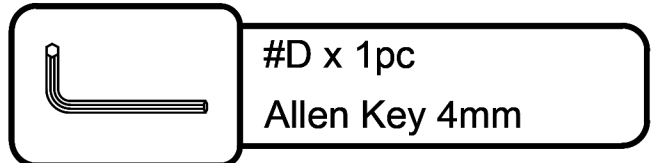
#2 x 4pcs
Leg



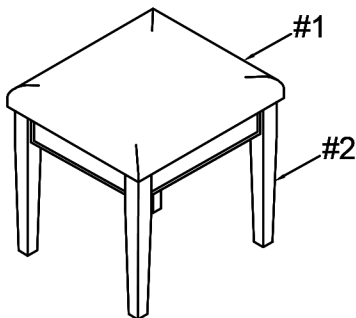
#B x 8pcs
Lock Washer $\text{\O}1/4"$



#C x 8pcs
Flat Washer $\text{\O}5/16"$



#D x 1pc
Allen Key 4mm



Align legs (#2) to the holes of the seat (#1), then secure by using bolts (#A) with washers (#B,C).

#A x 8pcs
#B x 8pcs
#C x 8pcs

