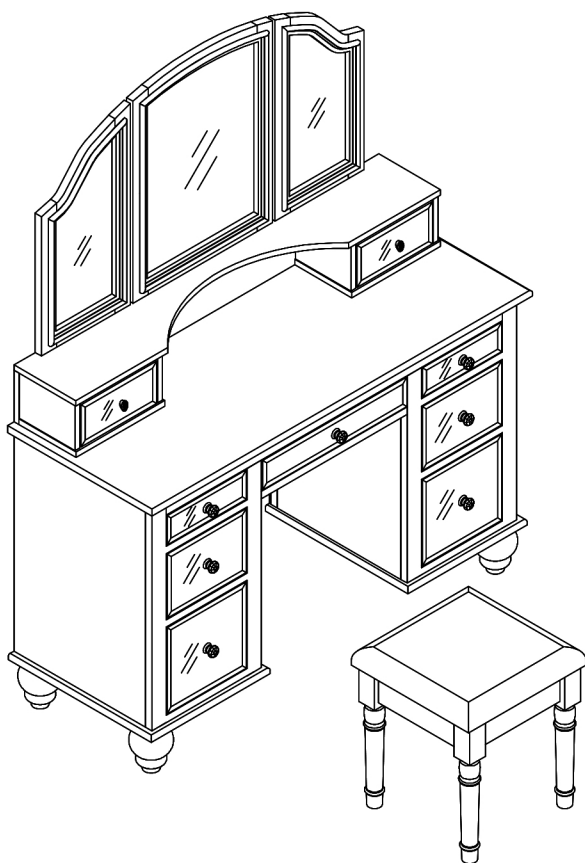
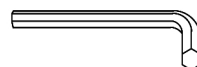


# ASSEMBLY INSTRUCTIONS



## TOOLS REQUIRED



**Allen Wrench**

(Included)



**Phillips  
Screwdriver**

(Not Included)



**2 - People  
Recommended**

## ASSEMBLY RATING



**EASY** ————— **DIFFICULT**

The Assembly Rating is a 5-point system showing the level of effort needed to assemble a specific product.



## CHECK BEFORE STARTING



### Are you missing anything?

Double-check all parts, hardware and accessories listed on Page 6 are accounted for.



### Check out our Quick Tips!

We recommend reviewing the pre-assembly handouts. Even experts need a refresher now and then!



### Should we send any replacements?

Are there any irregularities or flaws in the parts? We can send replacements!

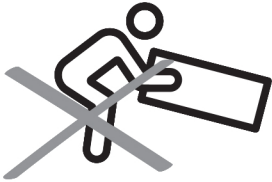


### Prep Time!

Please review the assembly instructions and all diagrams prior to assembling. Arrange parts as recommended on Page 7 and group identical hardware together to make assembling easier.

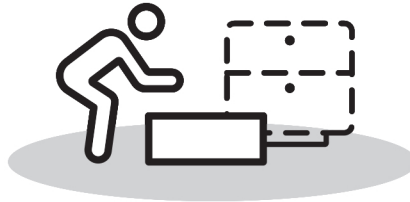
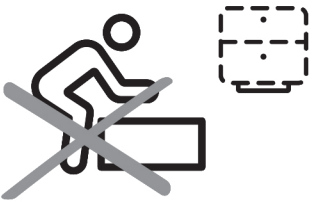
# PRE ASSEMBLY INTRODUCTION

We understand building ready-to-assemble furniture can be a challenging experience for some. To help avoid confusion, we have provided some helpful tips that may speed up the process.



## Teamwork

ALWAYS have at least two people to help with transporting and assembling the product to avoid potential injury and/or damage.



## Suitable Location

Assembling near the area of the intended location is highly recommended.



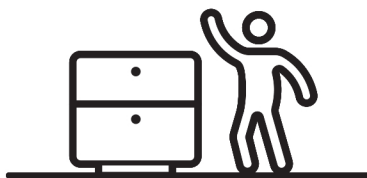
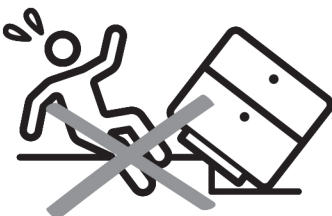
## Sufficient Space

Make sure you have enough space to move around during the assembly.



## Avoid Scratches

Use cardboard, blankets or a carpeted area while assembling furniture to prevent scratches.



## Flat Surface

Make sure the furniture rests on a flat and level surface with each leg evenly touching the floor.

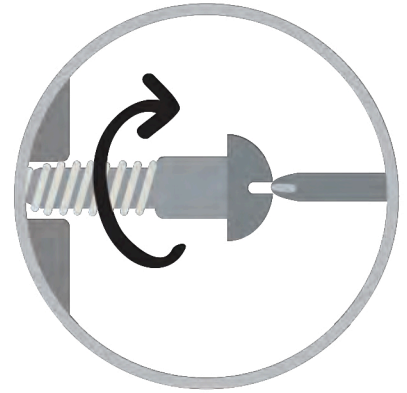
# ASSEMBLY AND CARE ADVICE



**FAILURE TO FOLLOW THE GUIDELINES BELOW MAY RESULT IN INJURY AND/OR PROPERTY DAMAGE.**



Position each part correctly and insert screws or bolts into their respective holes.



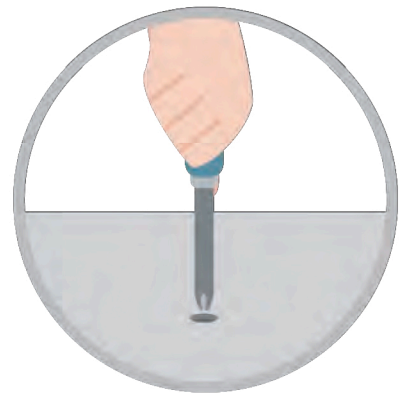
Turn clockwise to tighten and only tighten when step is completed or when instructed to do so.



Use the appropriate hand tools or power tools for assembly. Select steps, such as tightening screws and/or bolts, may require hand tools to avoid causing damage during assembly.



Save the instructions and store any supplied tools for later maintenance.

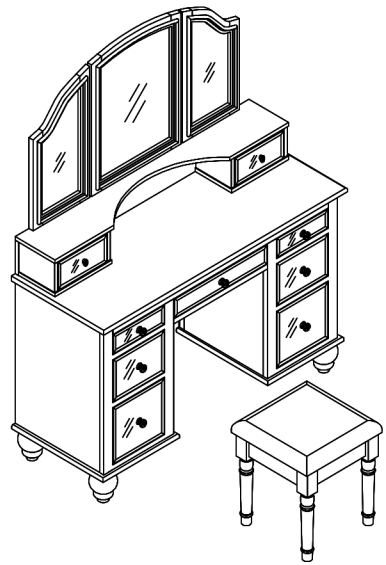
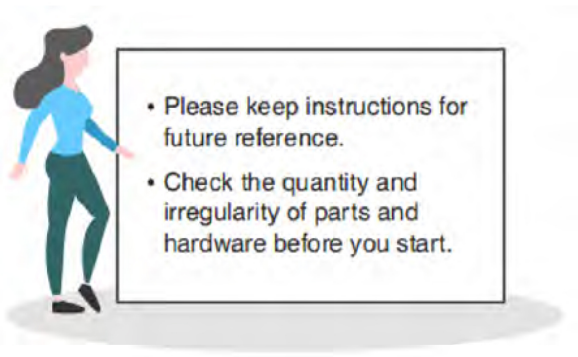


After two weeks, check and tighten any loose hardware and repeat again every six months thereafter.

**IT IS THE USER'S RESPONSIBILITY TO MAINTAIN THE FURNITURE. THE HARDWARE MAY LOOSEN OVER TIME AND MAY CAUSE THE FURNITURE TO BE WOBBLY AND UNABLE TO SUPPORT ITS INTENDED WEIGHT CAPACITY. THIS MAY LEAD TO COLLAPSE AND MAY CAUSE SERIOUS INJURY.**

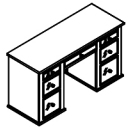


# VANITY SET



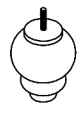
## PARTS

#1 1pc



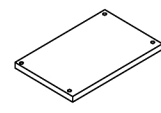
Cabinet body

#2 4pcs



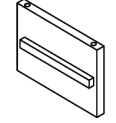
Leg

#3 2pcs



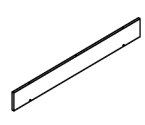
Bottom plate

#4 4pcs



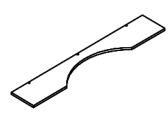
Riser

#5 1pc



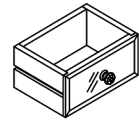
Backplane

#6 1pc



Panel

#7 2pcs



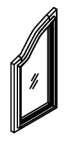
Drawer Top

#8 1pc



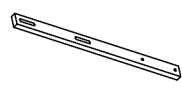
In the mirror

#9 2pcs



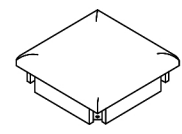
Side mirror

#10 2pcs



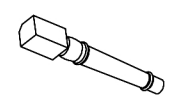
Mirror support rail

#11 1pc



Seat

#12 4pcs



Leg

# HARDWARE

#A 13pcs



Bolt Ø1/4" x 2"

#B 5pcs



Barrel Nut Ø1/4"

#C 8pcs



Bolt Ø1/4" x 1-3/8"

#D 16pcs



Lock Washer Ø1/4"

#E 16pcs



Flat Washer Ø5/16"

#F 1pc



Allen Wrench 4mm

#G 2pcs



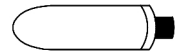
Connect Iron

#H 4pcs



Wood Screw #3 x 1/2"

#I 1pc



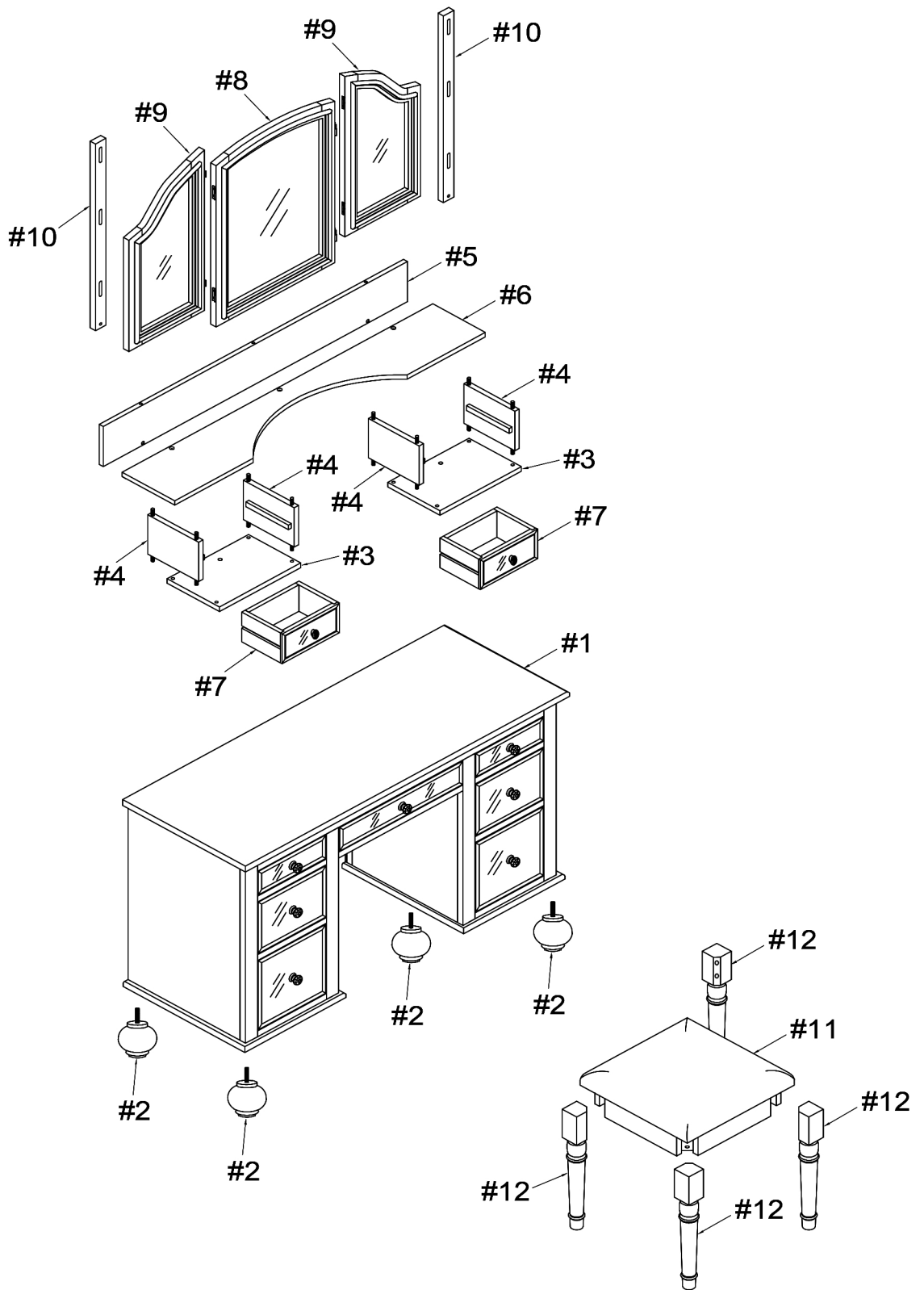
Glue

#J 1set



Anti-tip Skit

# Exploded View

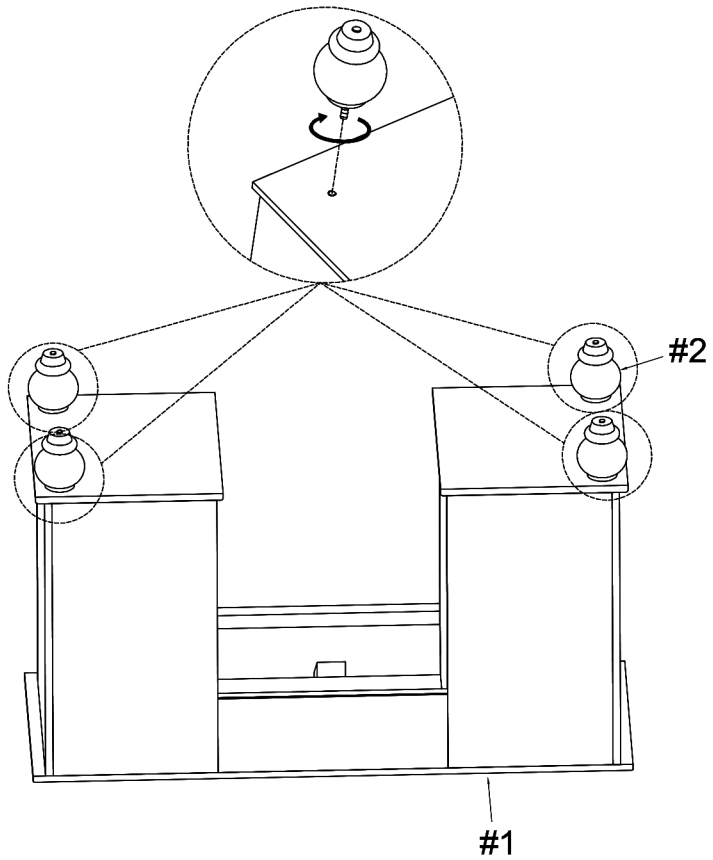


# ASSEMBLY INSTRUCTIONS

Attach legs (#2) to the bottom holes of the cabinet body (#1).

## 1

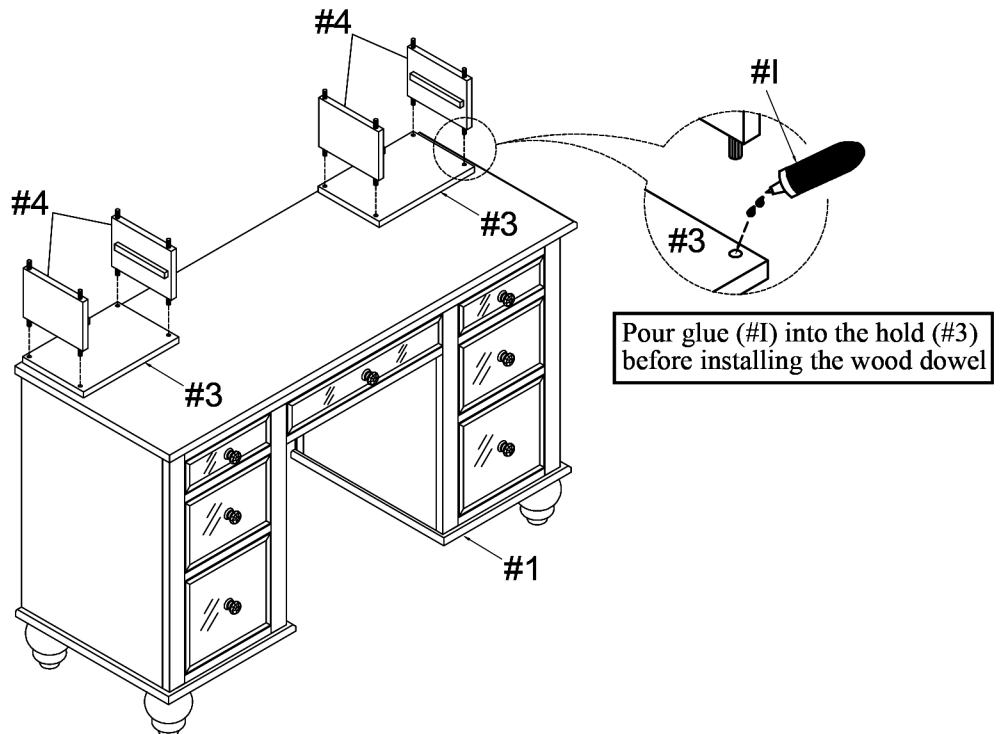
Part #1 x1pc  
Part #2 x4pcs



## 2

Part #3 x2pcs  
Part #4 x4pcs  
Hardware #1 x1pc

Align and attach the risers (#4) to the holes of the bottom plate (#3).

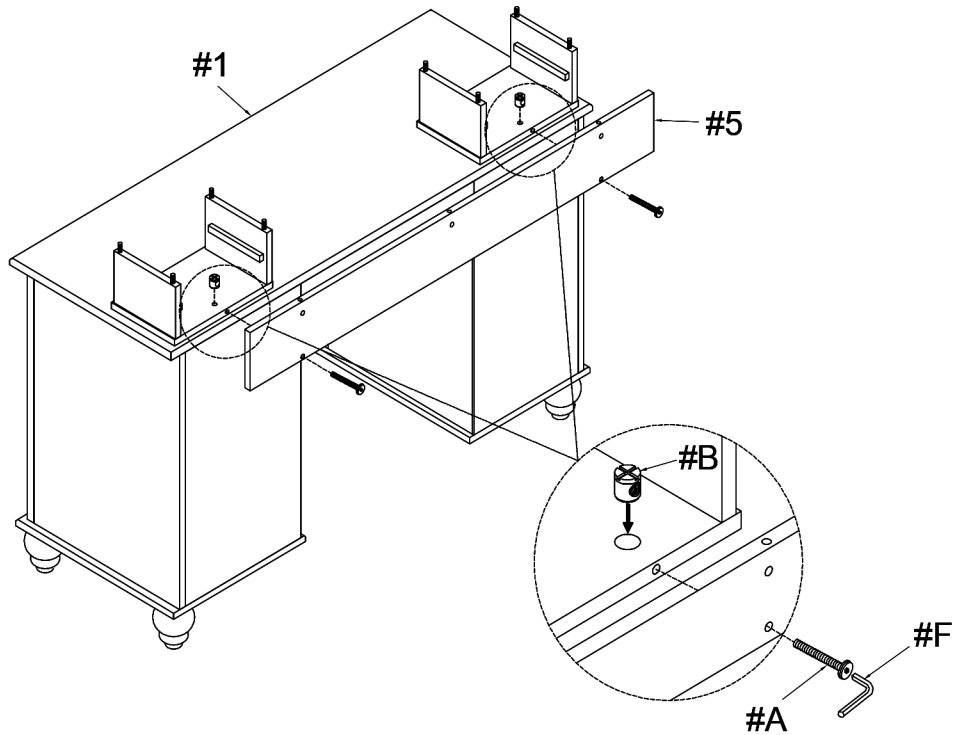


# ASSEMBLY INSTRUCTIONS

## 3

Insert barrel nuts (#B) to the holes of the bottom plate (#3). Make sure the barrel nut (#B) holes are facing the same direction as the hole on the back side of bottom plate (#3). Align backplane (#5) to the holes of the bottom plate (#3), then secure by attaching bolts (#A) to barrel nuts (#B).

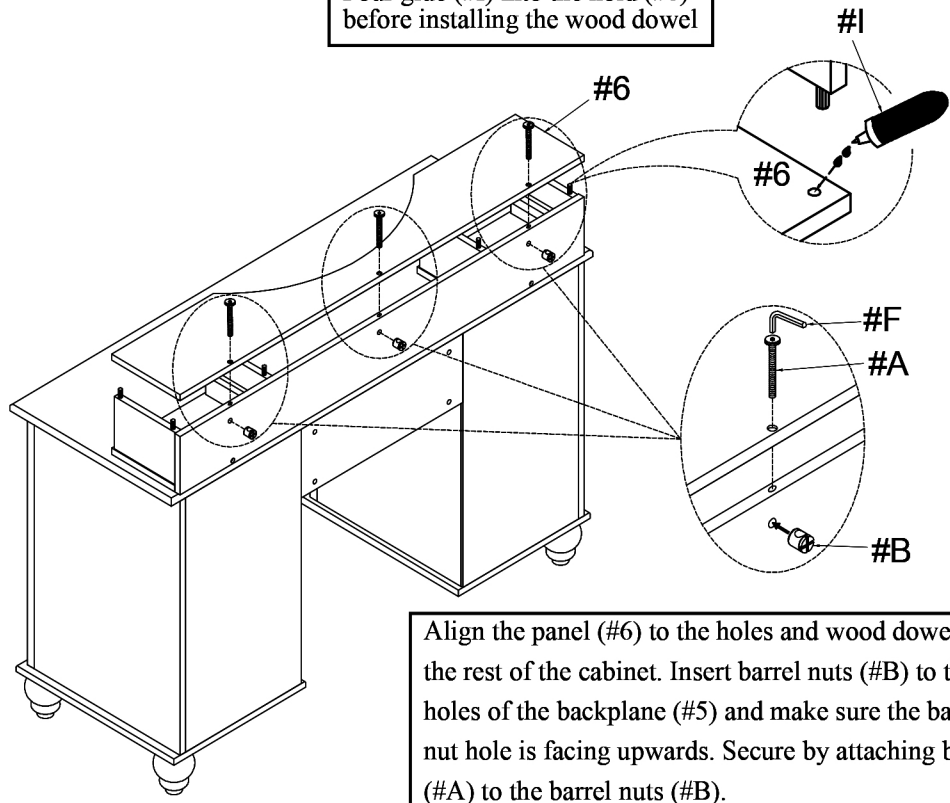
- Part #5 x1pc
- Hardware #A x2pcs
- Hardware #B x2pcs



## 4

Pour glue (#I) into the hold (#6) before installing the wood dowel

- Part #6 x1pc
- Hardware #A x3pcs
- Hardware #B x3pcs
- Hardware #I x1pc



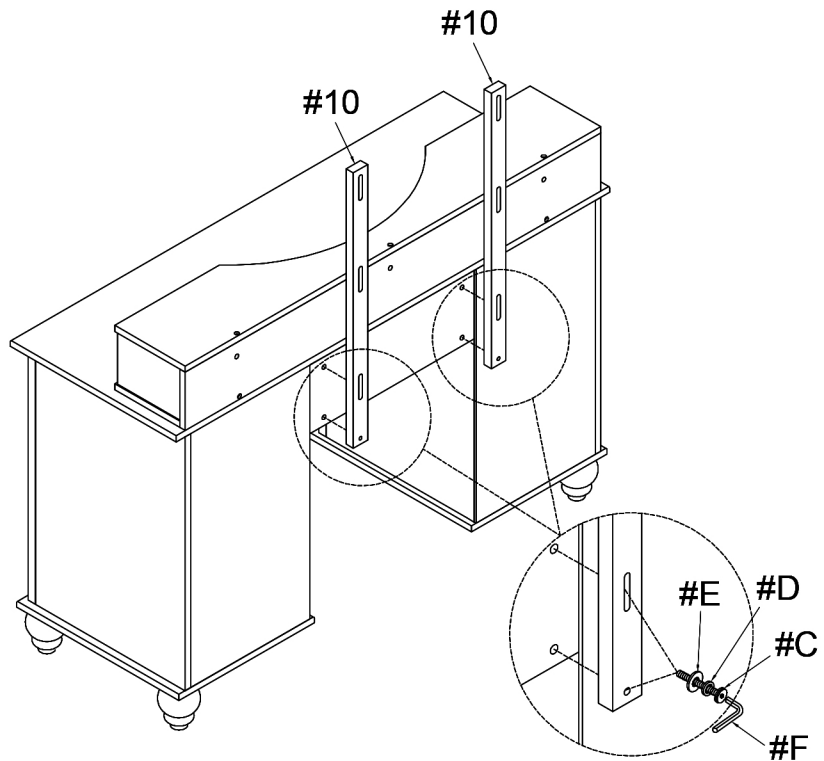
Align the panel (#6) to the holes and wood dowels of the rest of the cabinet. Insert barrel nuts (#B) to the holes of the backplane (#5) and make sure the barrel nut hole is facing upwards. Secure by attaching bolts (#A) to the barrel nuts (#B).

# ASSEMBLY INSTRUCTIONS

Prepare 4 bolts assembly by inserting lock washer (#D), then flat washer (#E) onto bolts (#C). Align mirror connecting rods (#10) to the holes located in the back side of the cabinet body (#1). Secure with bolts (#C).

## 5

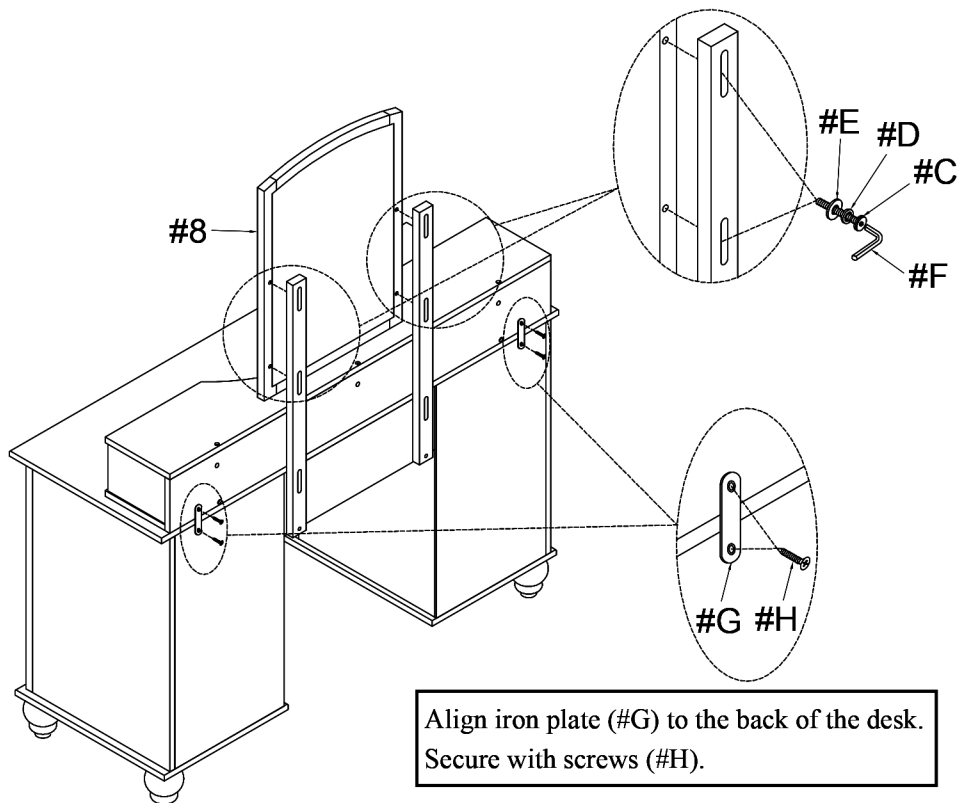
- Part #10 x2pcs
- Hardware #C x4pcs
- Hardware #D x4pcs
- Hardware #E x4pcs



## 6

Prepare 4 bolts assembly by inserting lock washer (#D), then flat washer (#E) onto bolts (#C). Align mirror (#8) to the holes of the mirror connecting rod (#10), then secure with bolts (#C).

- Part #8 x1pc
- Hardware #C x4pcs
- Hardware #D x4pcs
- Hardware #E x4pcs
- Hardware #G x2pcs
- Hardware #H x4pcs



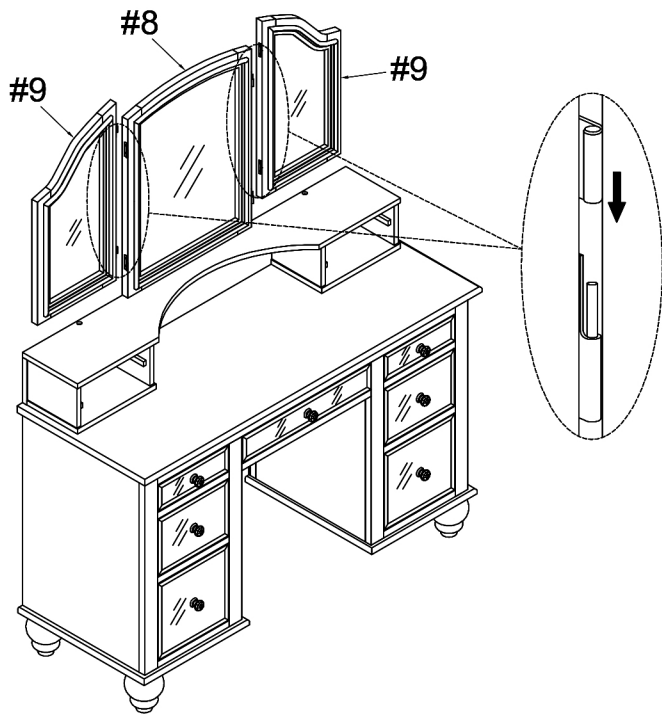
Align iron plate (#G) to the back of the desk. Secure with screws (#H).

# ASSEMBLY INSTRUCTIONS

## 7

Slide the side mirrors (#9) down to the metal pole of the middle mirror (#8).

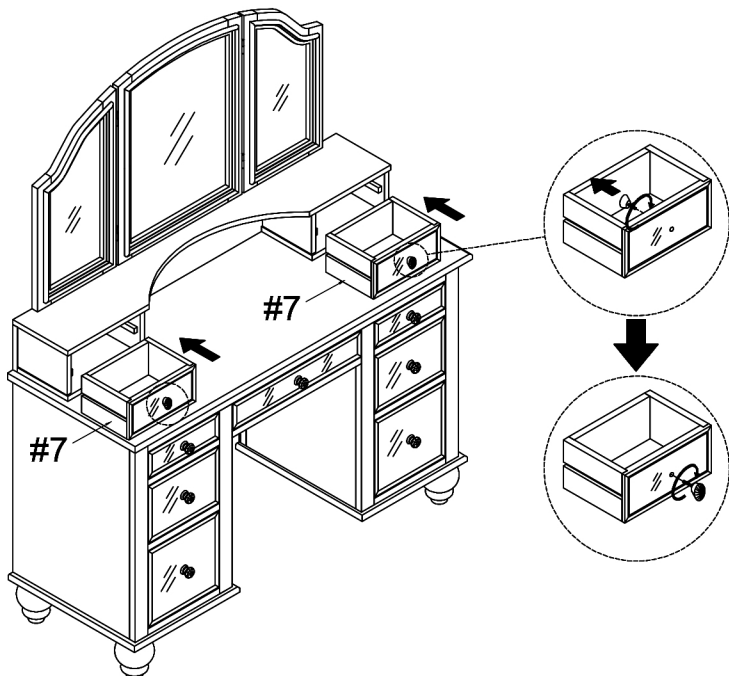
Part #9 x2pcs



## 8

Unscrew the knob, then reattach the knob to the outside of the drawer.

Part #7 x2pcs





# ASSEMBLY INSTRUCTIONS

Prepare 8 bolts assembly by inserting lock washer (#D), then flat washer (#E) onto bolts (#A).  
Align legs (#12) to the holes of the cushion (#11), then secure with bolts (#A).

## 9

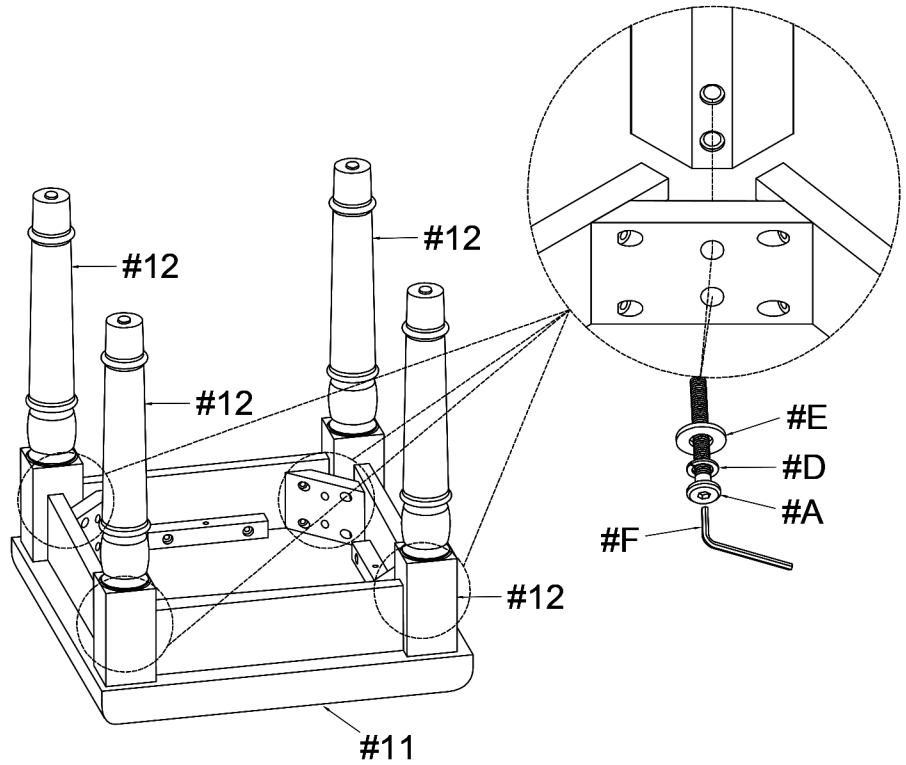
Part #11 x1pc

Part #12 x4pcs

Hardware #A x8pcs

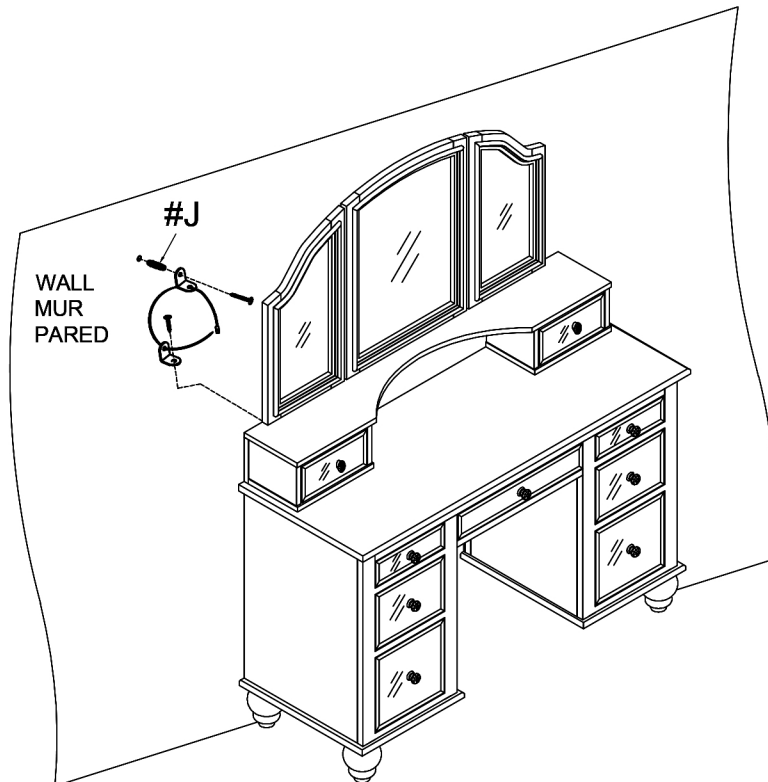
Hardware #D x8pcs

Hardware #E x8pcs



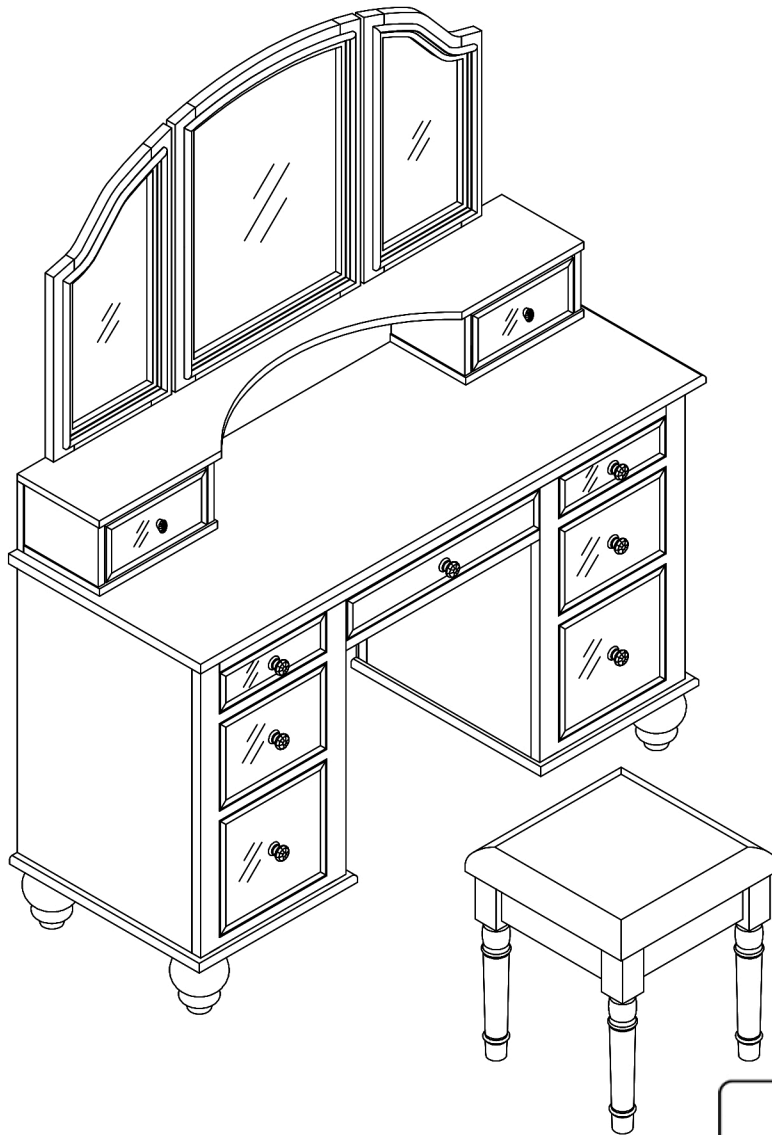
## 10

Hardware #J x1set



# ASSEMBLY INSTRUCTIONS

11



## ASSEMBLY COMPLETED



Please ensure the furniture rests on an even and flat surface. If the product wobbles or feels loose, double-check all bolts and/or screws are properly tightened and secured.



### Keep this handy!

Please retain this instruction manual and any order-related information for future reference.



### Lift, don't drag!

To avoid damage to product please always LIFT the product when transporting or adjusting the placement.

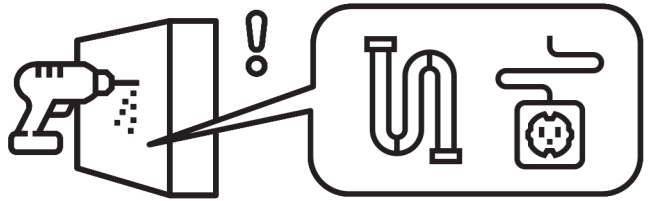
# ASSEMBLY INSTRUCTIONS

## Wall Mounting and Fixing



### EXPANSION WALL ANCHOR

Our provided expansion wall anchors are only suitable for masonry walls, such as drywall, plaster or concrete, and are best for holding lightweight items or for anti-tip prevention. If you are unsure of the correct wall anchor to use with the product, please request professional guidance. Liability for product damage or failure due to using the incorrect anchors will fall on the installer.

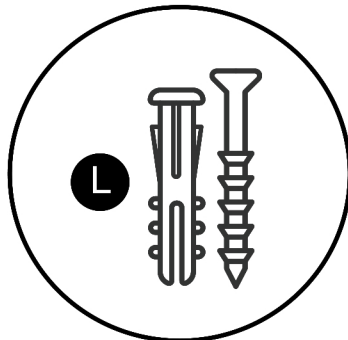


### CHECK BEFORE PROCEEDING

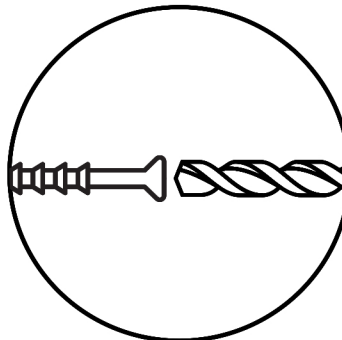
Prior to drilling or hammering, please check for wires or pipes. We recommend using a stud finder to locate a stud, which will offer more appropriate resistance and hold more weight.

## QUICK TIPS

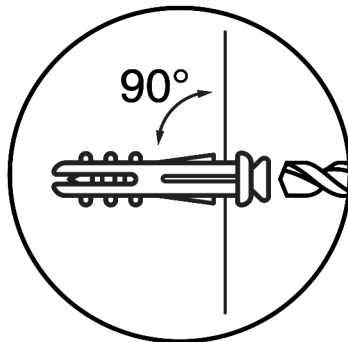
1. If unsure of the proper size, always choose a larger screw and wall anchor.



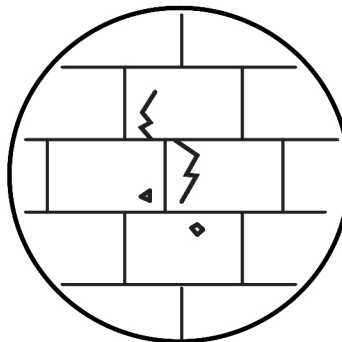
2. Match the drill bit to the wall anchor and hole size.



3. Only drill horizontally. Do not force the drill or enlarge the hole for the wall anchor.



4. Take extra care when drilling into high walls or ceramic tiles. Wall anchors should be a tight fit for the hole. Never use wall anchors in ceilings.



### MAINTENANCE



Yearly  
Check

We recommend a yearly check to see if the wall anchor or screw has loosened. If so, please remove the existing wall anchor and screw, and use a new anchor.