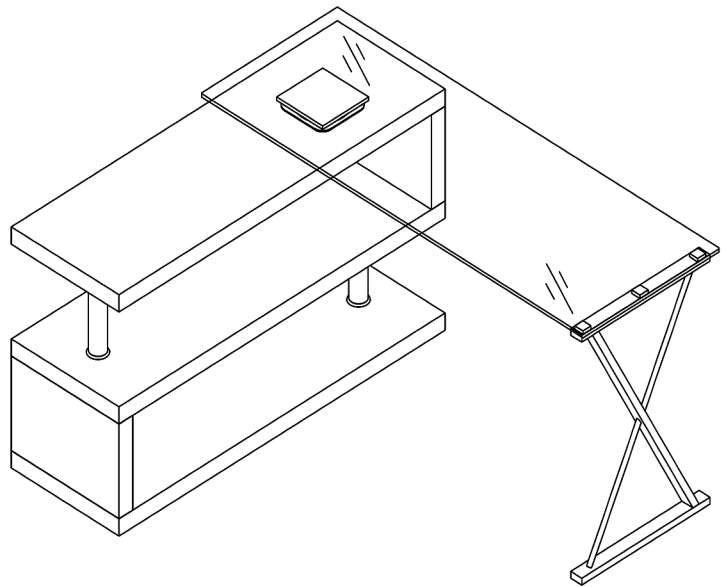
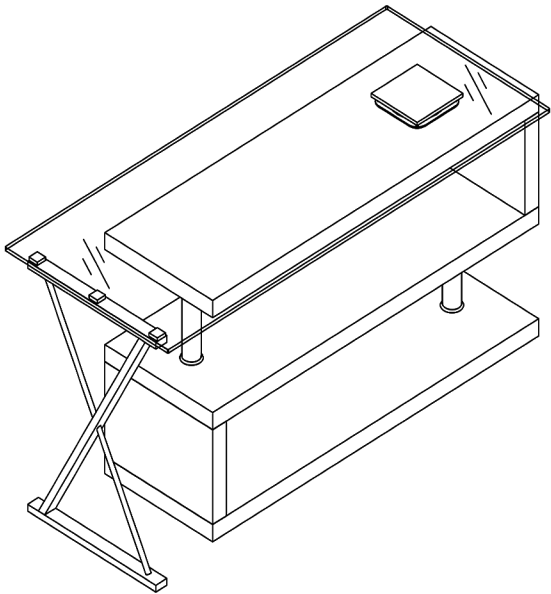


# Assembly Instructions



## ASSEMBLY RATING

The Assembly Rating is a 5-point system that shows the degree of effort needed in assembling a specific product (with 1 being easy and 5 being difficult). For some products, two persons are recommended.

EASY



DIFFICULT

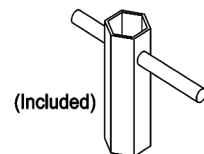
## Tools Required For Assembly:

Allen Wrench



(Included)

Socket Wrench



(Included)

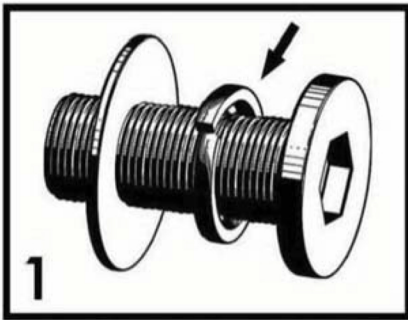


2 PERSONS RECOMMENDED

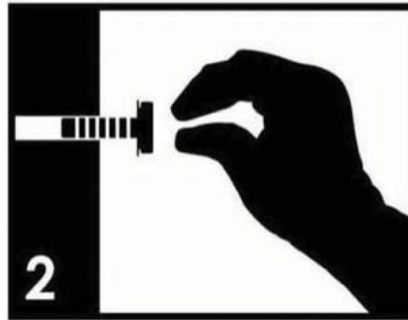
# ASSEMBLY & CARE ADVICE

FOR YOUR FURNITURE TO LAST, CORRECT ASSEMBLY AND PROPER MAINTENANCE ARE NECESSARY. PLEASE FOLLOW THE INFORMATION PROVIDED BELOW TO FULLY ENJOY YOUR FURNITURE.

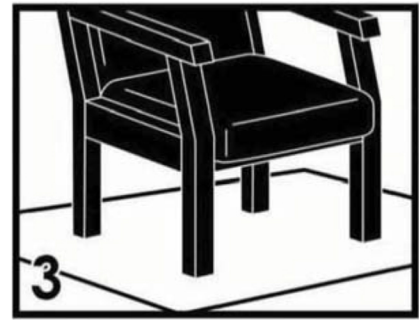
## BASIC ASSEMBLY TECHNIQUES



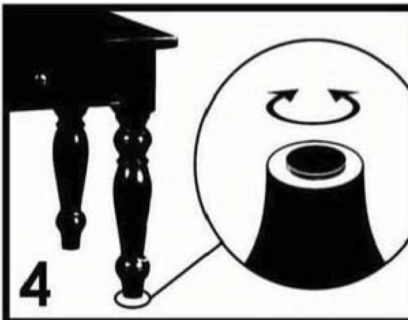
When lock or spring washer is used in an assembly, please make sure the lock or spring washer is placed between the larger flat washer and the head of the screw or bolt.



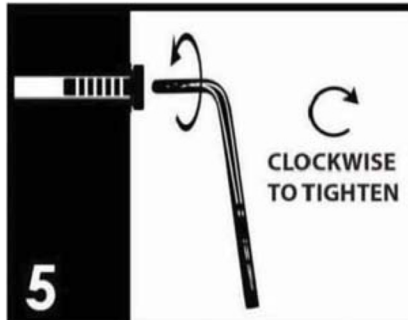
Position each part correctly and insert screws or bolts into their respective holes by hand tighten or using the proper hand tool. Only tighten when step is completed or when instructed to do so.



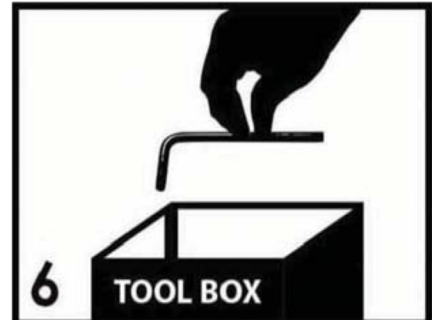
Use cardboard or carpet area when assembling furniture to prevent scratches. Make sure the furniture rests on a flat and level surface with each leg evenly touching the floor.



Some furniture comes with height adjustment knobs underneath each leg. To lower or to raise each leg, you need to turn clockwise or counterclockwise, respectively.



Make sure all parts are properly aligned, then use the appropriate hand tool to completely tighten the bolts or screws. Do not use power tools and do not overtighten.

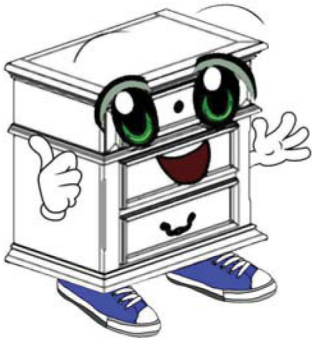


Save the instructions and store the Allen wrench or any supplied tool for later maintenance. After two weeks, check and tighten any loose hardware and repeat again every six months thereafter.

IT IS THE USER'S RESPONSIBILITY TO MAINTAIN THE FURNITURE. THE HARDWARE MAY LOOSEN OVER TIME AND MAY CAUSE THE FURNITURE TO BE WOBBLY AND UNABLE TO SUPPORT ITS INTENDED WEIGHT CAPACITY. THIS MAY LEAD TO COLLAPSE AND MAY CAUSE SERIOUS INJURY.



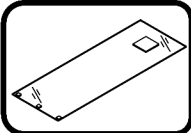
**FAILURE TO FOLLOW THE GUIDELINES ABOVE MAY RESULT IN INJURY AND/OR PROPERTY DAMAGE.**



Before you begin, please read Page 2 of "Assembly and Care Advice".

And remember, do not tighten until each step is completed or instructed.

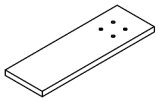
### Parts List



#1 x 1pc  
Glass Top



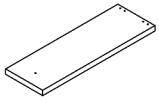
#5 x 2pcs  
Side Panel



#2 x 1pc  
Top Panel



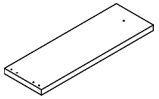
#6 x 1pc  
Side Frame



#3 x 1pc  
Middle Shelf



#7 x 2pcs  
Support tube



#4 x 1pc  
Bottom Shelf



#8 x 1pc  
Spin hinge



Before you begin, please read Page 2 of "Assembly and Care Advice".

And remember, do not tighten until each step is completed or instructed.

## Hardware List



#A x 4pcs  
Bolt 1/4" x 3/8"



#G x 8pcs  
Wood Dowel



#B x 3pcs  
Bolt 1/4" x 1"



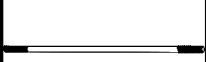
#H x 13pcs  
Flat washer



#C x 4pcs  
Bolt 1/4" x 2-1/8"



#I x 2pcs  
Adjuster



#D x 6pcs  
Rod 1/4" x 13-1/2"



#J x 1pc  
Allen wrench M4



#E x 6pcs  
Hex Nut



#K x 1pc  
Socket wrench

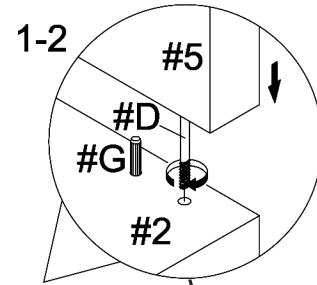
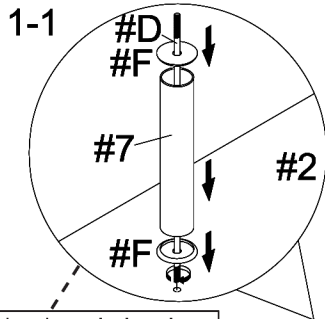


#F x 4pcs  
Cap



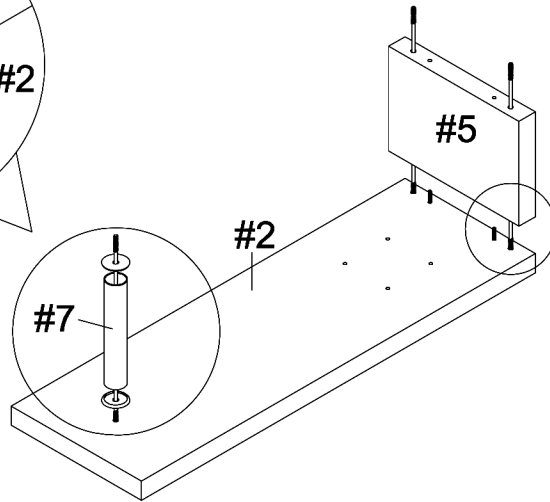


#D x 3pcs  
 #F x 2pcs  
 #G x 2pcs



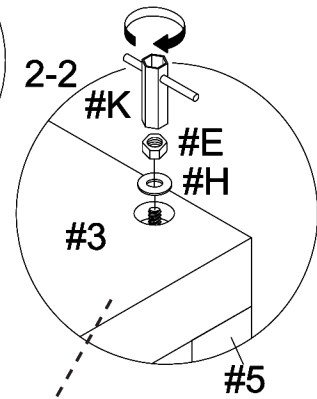
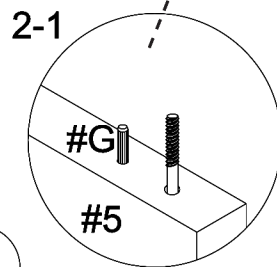
1. Insert the threaded end of a rod (#D) into the single hole, along the top panel (#2) turn right to tighten. Then insert a cap (#F), support tube (#7), and another cap (#F) in that order onto the rod (#D).

2. Insert the rods (#D) into the outer holes, turn right to tighten. Insert the wood dowels (#G) into the inner holes. Then apply the side panel (#5) onto the rods and wood dowels.

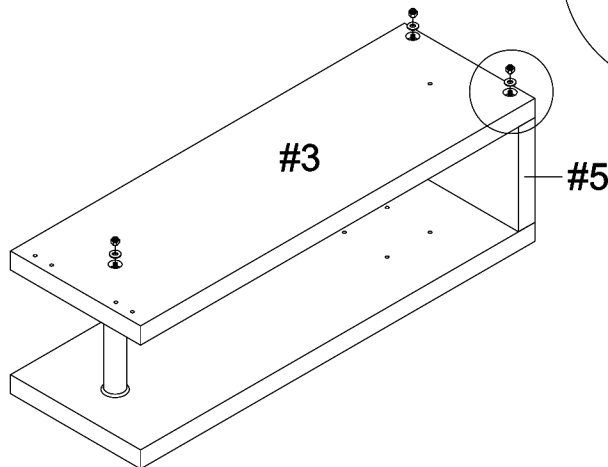


#E x 3pcs  
 #G x 2pcs  
 #H x 3pcs

1. Insert a wood dowel (#G) into the inner holes along the top of the side panel (#5).



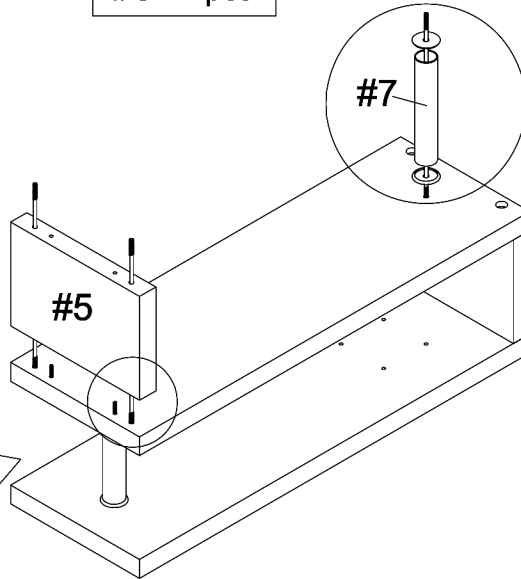
2. Carefully place the middle shelf (#3) onto each rod and wood dowels. Apply a flat washer (#H) then a hex nut (#E) onto the ends of the rods. Secure using the socket wrench (#K).





#D x 3pcs  
#F x 2pcs  
#G x 2pcs

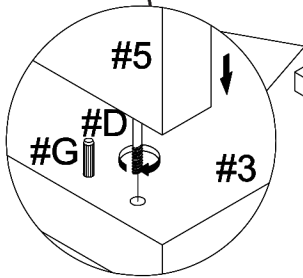
2. Insert the rods (#D) into the outer holes, turn right to tighten. Insert the wood dowels (#G) into the inner holes. Then apply the side panel (#5) onto the rods and wood dowels.



3-1

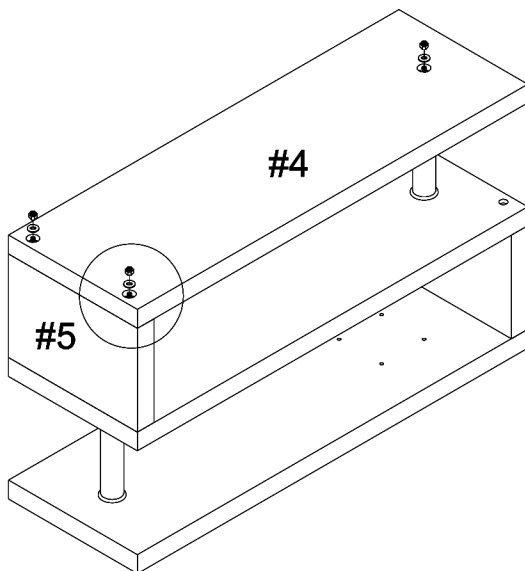
1. Insert the threaded end of a rod (#D) into the single hole, turn right to tighten. Then insert a cap (#F), support tube (#7), and another cap (#F) in that order onto the rod (#D).

3-2



#E x 3pcs  
#G x 2pcs  
#H x 3pcs

1. Insert a wood dowel (#G) into the inner holes along the top of the side panel (#5).



4-1

4-2

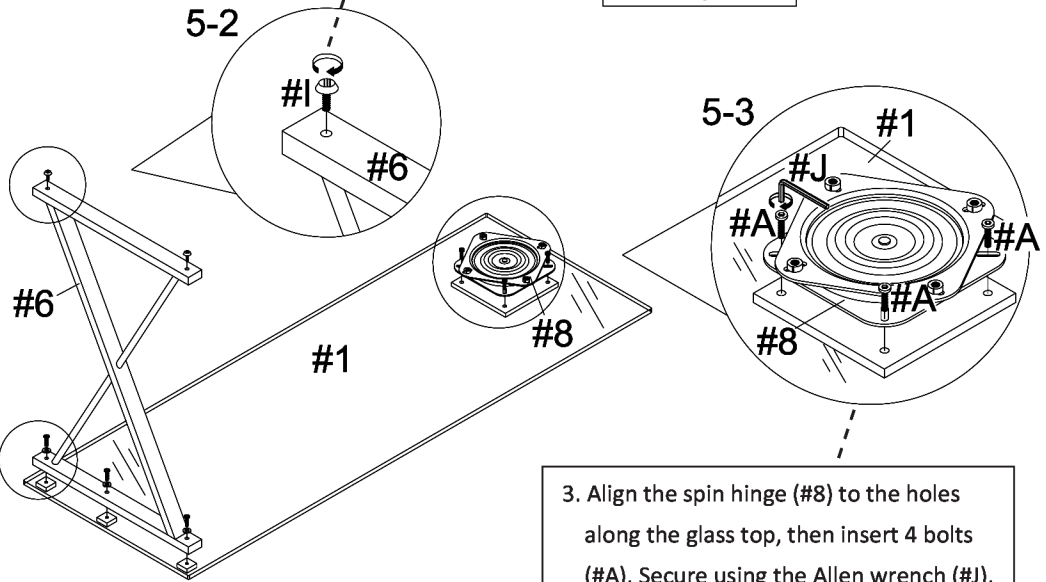
2. Carefully place the bottom shelf (#4) onto each rod and wood dowels. Apply a flat washer (#H) then a hex nut (#E) onto the ends of the rods. Secure using the socket wrench (#K).



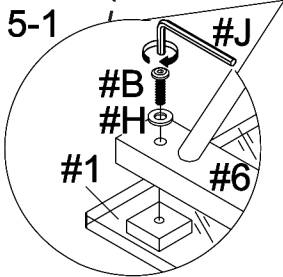
2. Insert the adjusters (#1) into the holes along the bottom of the side frame (#6). Turn right to tighten.

#A x 4pcs  
#B x 3pcs  
#H x 3pcs  
#I x 2pcs

1. Place the glass top (#1) face down onto a protected surface, then align the side frame (#6) to the holes along the side. Prepare 3 bolts by inserting a flat washer (#H) onto the bolts (#B). Insert a bolt assembly into each hole and secure using the Allen wrench.



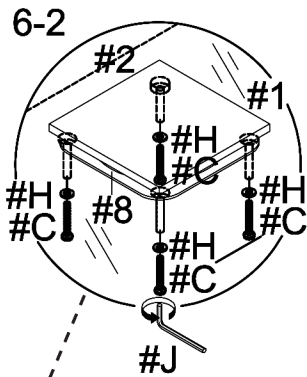
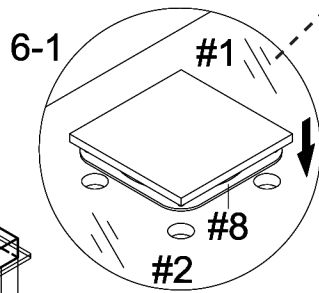
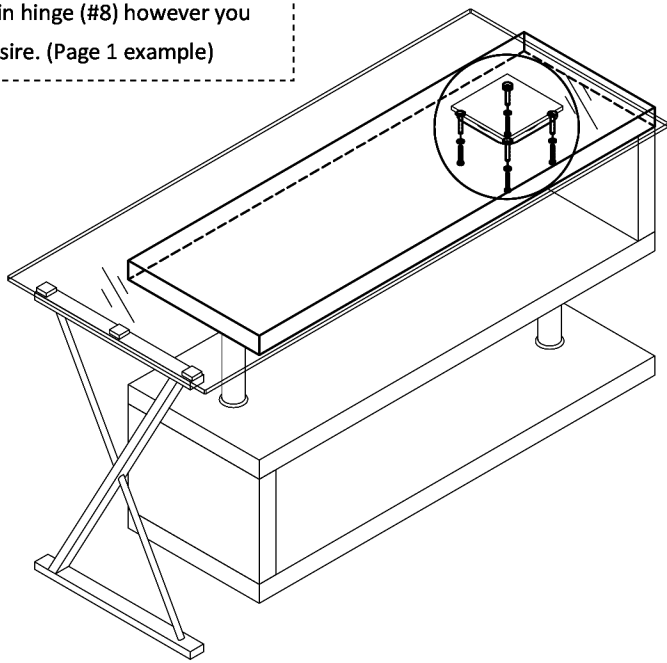
3. Align the spin hinge (#8) to the holes along the glass top, then insert 4 bolts (#A). Secure using the Allen wrench (#J).



#C x 4pcs  
#H x 4pcs

Keep in mind you can align the spin hinge (#8) however you desire. (Page 1 example)

1. Turn the glass top upright, then align the spin hinge (#8) to the holes along the top of the top panel (#2)



2. Prepare 4 bolts by inserting a flat washer (#H) onto the bolts (#C), then from below insert into the holes along the top panel (#2). Secure using the Allen wrench (#J).

**ASSEMBLY IS COMPLETED**