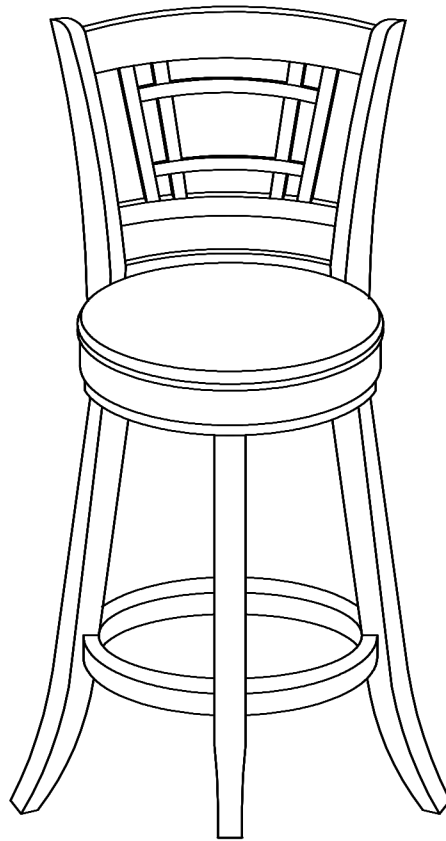


# Assembly Instructions



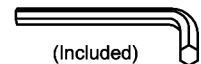
## ASSEMBLY RATING

The Assembly Rating is a 5-point system that shows the degree of effort needed in assembling a specific product (with 1 being easy and 5 being difficult). For some products, two persons are recommended.

EASY  DIFFICULT

## Tools Required For Assembly:

Allen Wrench



(Included)

Phillips Screwdriver



(Not Included)

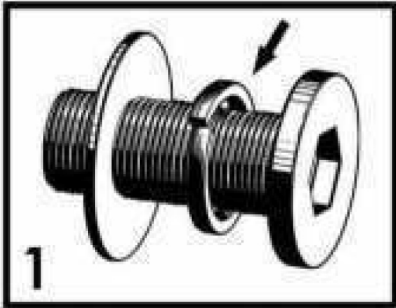


2 PERSONS RECOMMENDED

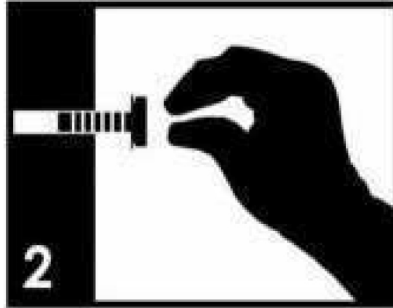
# ASSEMBLY & CARE ADVICE

FOR YOUR FURNITURE TO LAST, CORRECT ASSEMBLY AND PROPER MAINTENANCE ARE NECESSARY. PLEASE FOLLOW THE INFORMATION PROVIDED BELOW TO FULLY ENJOY YOUR FURNITURE.

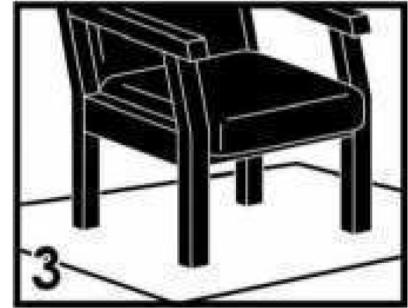
## BASIC ASSEMBLY TECHNIQUES



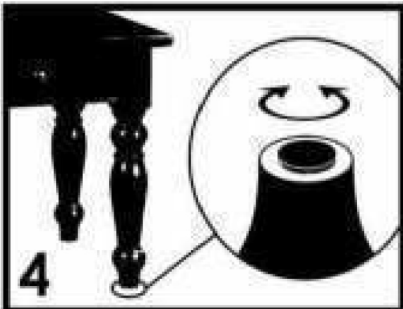
When lock or spring washer is used in an assembly, please make sure the lock or spring washer is placed between the larger flat washer and the head of the screw or bolt.



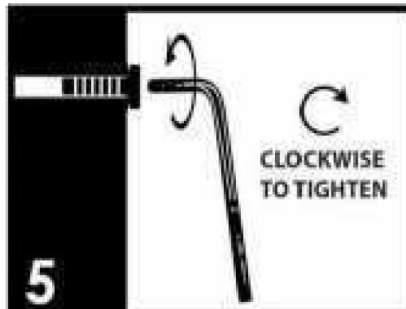
Position each part correctly and insert screws or bolts into their respective holes by hand tighten or using the proper hand tool. Only tighten when step is completed or when instructed to do so.



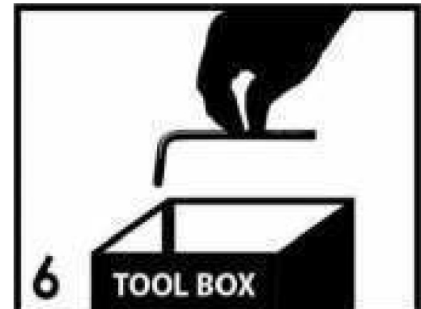
Use cardboard or carpet area when assembling furniture to prevent scratches. Make sure the furniture rests on a flat and level surface with each leg evenly touching the floor. No dragging of products/parts.



Some furniture comes with height adjustment knobs underneath each leg. To lower or to raise each leg, you need to turn clockwise or counterclockwise, respectively.



Make sure all parts are properly aligned, then use the appropriate hand tool to completely tighten the bolts or screws. Do not use power tools and do not overtighten.



Save the instructions and store the Allen wrench or any supplied tool for later maintenance. After two weeks, check and tighten any loose hardware and repeat again every six months thereafter.

IT IS THE USER'S RESPONSIBILITY TO MAINTAIN THE FURNITURE. THE HARDWARE MAY LOOSEN OVER TIME AND MAY CAUSE THE FURNITURE TO BE WOBBLY AND UNABLE TO SUPPORT ITS INTENDED WEIGHT CAPACITY. THIS MAY LEAD TO COLLAPSE AND MAY CAUSE SERIOUS INJURY.




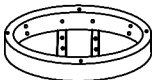
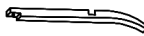



**FAILURE TO FOLLOW THE GUIDELINES ABOVE MAY RESULT IN INJURY AND/OR PROPERTY DAMAGE.**









Before you begin, please read Page 2 of "Assembly and Care Advice".

And remember, do not tighten until each step is completed or instructed.

### Parts List

-  #1 x 1pc  
Stool Back
-  #2 x 1pc  
Seat Base
-  #3 x 4pcs  
Leg Panel
-  #4 x 1pc  
Small Support Ring  
with Swivel Metal Plate
-  #5 x 1pc  
Large Support Ring
-  #6 x 1pc  
Seat Cushion

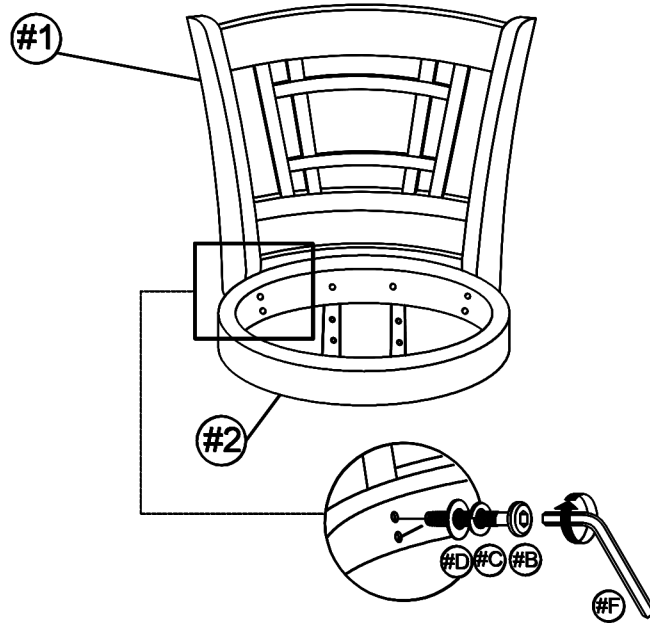
### Hardware List

-  #A x 4pcs  
Bolt 1 / 4 " x 1 - 3 / 16 "
-  #B x 14pcs  
Bolt 1 / 4 " x 1 - 9 / 16 "
-  #C x 18pcs  
M6 Spring Washer
-  #Dx 14pcs  
M6 Flat Washer
-  #Ex 4pcs  
CB Screw M4 x 1-1/4"
-  #Fx 1pc  
Allen wrench



Align seat base (#2) to the holes of the stool back (#1), then secure by using bolts (#B) with washers (#C,D).

#B x 6pcs  
#C x 6pcs  
#D x 6pcs

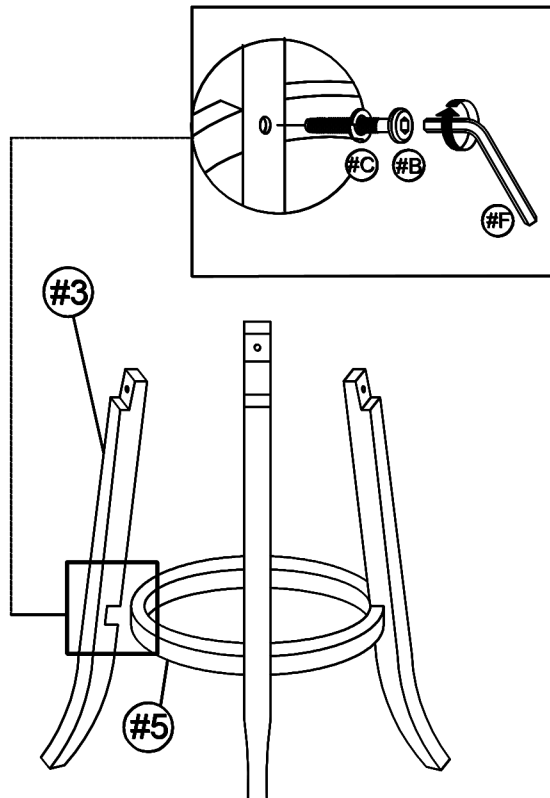


DO NOT FULLY TIGHTEN ALL BOLTS UNTIL FULL ASSEMBLY IS COMPLETED.



Align legs (#3) to the holes of the large support ring, then secure by using bolts (#B) with washers (#C).

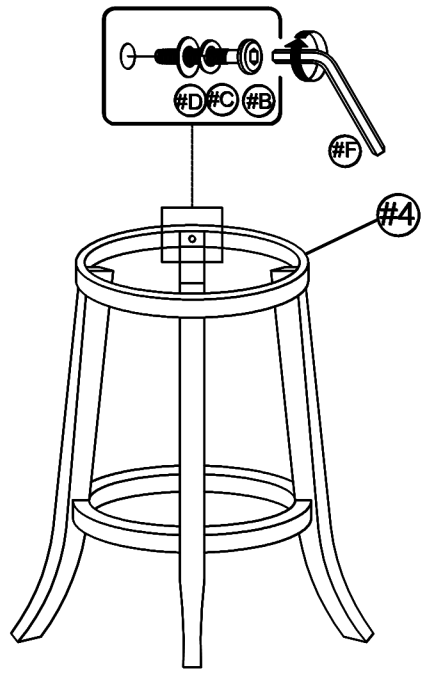
#B x 4pcs  
#C x 4pcs





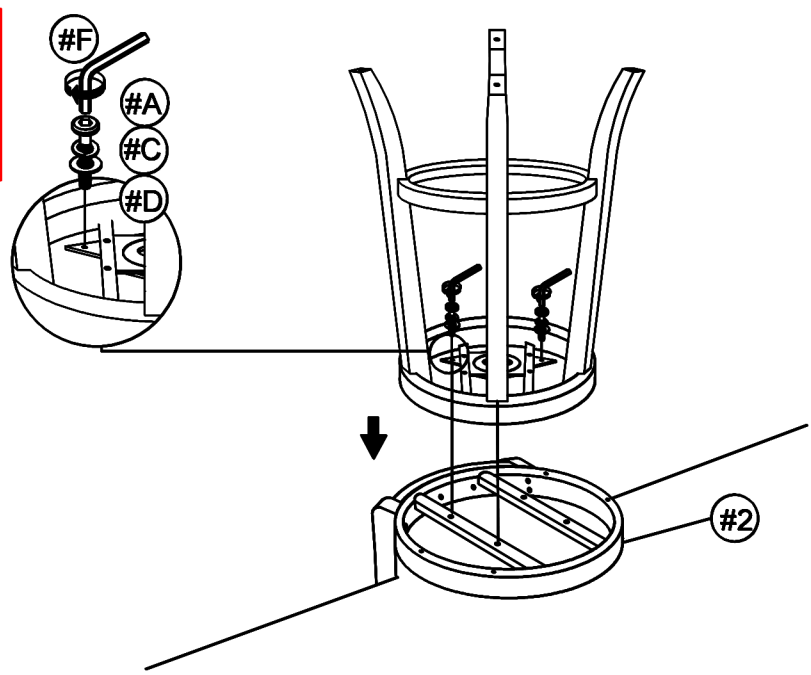
Align support ring (#4) to the legs, then secure by using bolts (#B) with washers (#C,D).

- #B x 4pcs
- #C x 4pcs
- #D x 4pcs



Secure support ring to seat base by using bolts (#A) with washers (#C,D).

- #A x 4pcs
- #C x 4pcs
- #D x 4pcs





Align seat cushion (#6) to the seat base, then secure by using screws (#E). There will be no pre-drilled holes.

#E x 4pcs

