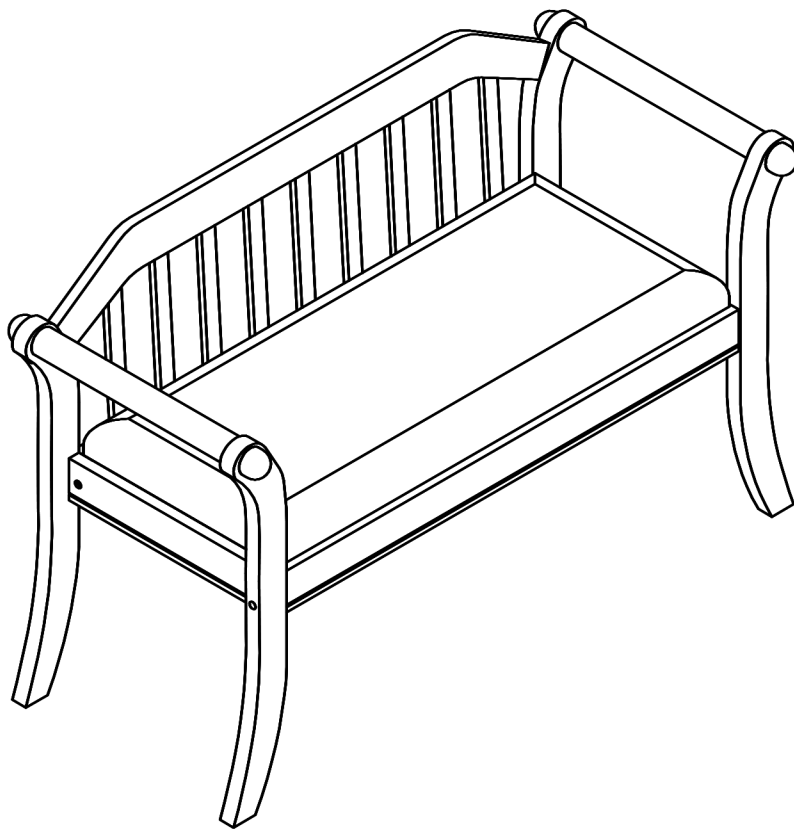


# Assembly Instructions



## ASSEMBLY RATING

The Assembly Rating is a 5-point system that shows the degree of effort needed in assembling a specific product (with 1 being easy and 5 being difficult). For some products, two persons are recommended.

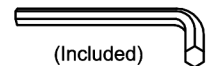
EASY



DIFFICULT

## Tools Required For Assembly:

Allen Wrench



(Included)

Phillips Screwdriver



(Not Included)

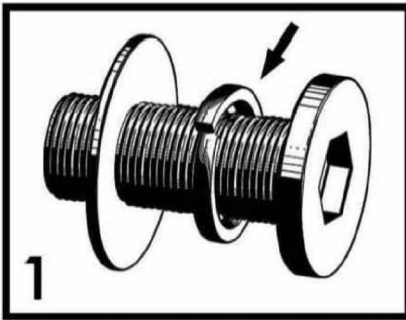


2 PERSONS RECOMMENDED

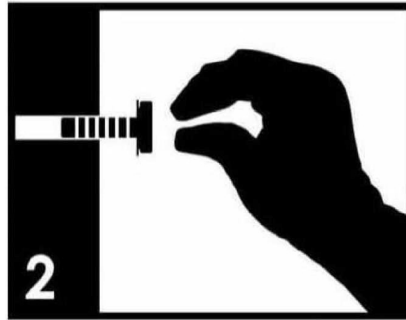
# ASSEMBLY & CARE ADVICE

FOR YOUR FURNITURE TO LAST, CORRECT ASSEMBLY AND PROPER MAINTENANCE ARE NECESSARY. PLEASE FOLLOW THE INFORMATION PROVIDED BELOW TO FULLY ENJOY YOUR FURNITURE.

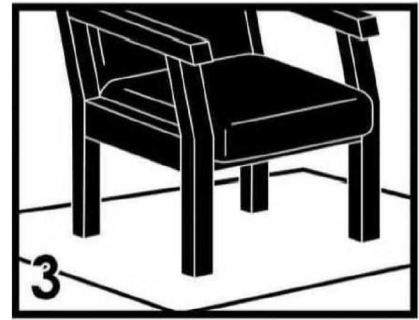
## BASIC ASSEMBLY TECHNIQUES



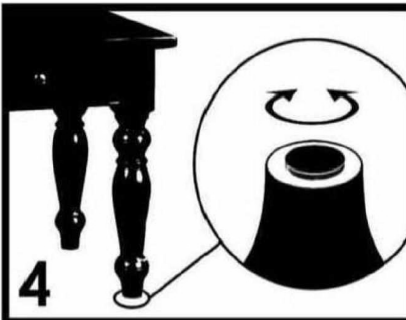
When lock or spring washer is used in an assembly, please make sure the lock or spring washer is placed between the larger flat washer and the head of the screw or bolt.



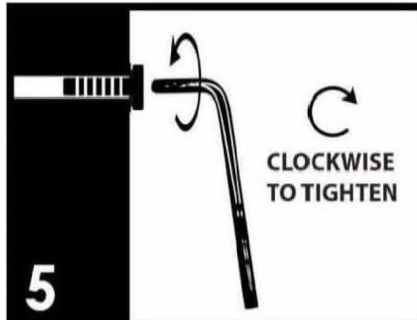
Position each part correctly and insert screws or bolts into their respective holes by hand tighten or using the proper hand tool. Only tighten when step is completed or when instructed to do so.



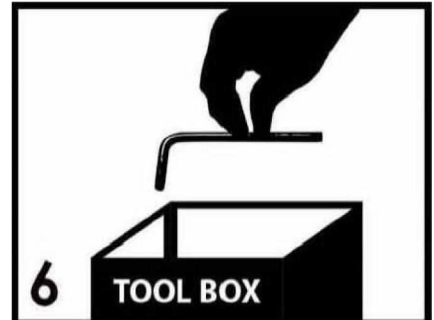
Use cardboard or carpet area when assembling furniture to prevent scratches. Make sure the furniture rests on a flat and level surface with each leg evenly touching the floor.



Some furniture comes with height adjustment knobs underneath each leg. To lower or to raise each leg, you need to turn clockwise or counterclockwise, respectively.



Make sure all parts are properly aligned, then use the appropriate hand tool to completely tighten the bolts or screws. Do not use power tools and do not overtighten.

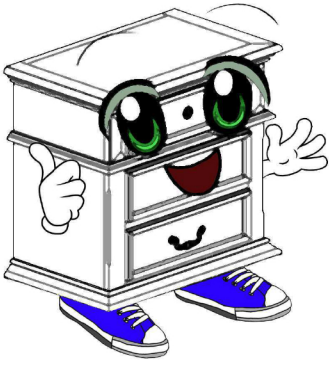


Save the instructions and store the Allen wrench or any supplied tool for later maintenance. After two weeks, check and tighten any loose hardware and repeat again every six months thereafter.

IT IS THE USER'S RESPONSIBILITY TO MAINTAIN THE FURNITURE. THE HARDWARE MAY LOOSEN OVER TIME AND MAY CAUSE THE FURNITURE TO BE WOBBLY AND UNABLE TO SUPPORT ITS INTENDED WEIGHT CAPACITY. THIS MAY LEAD TO COLLAPSE AND MAY CAUSE SERIOUS INJURY.



**FAILURE TO FOLLOW THE GUIDELINES ABOVE MAY RESULT IN INJURY AND/OR PROPERTY DAMAGE.**

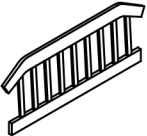

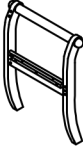
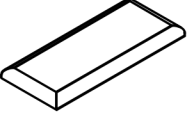
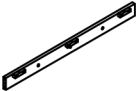





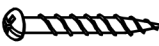

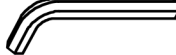
Before you begin, please read Page 2 of "Assembly and Care Advice".

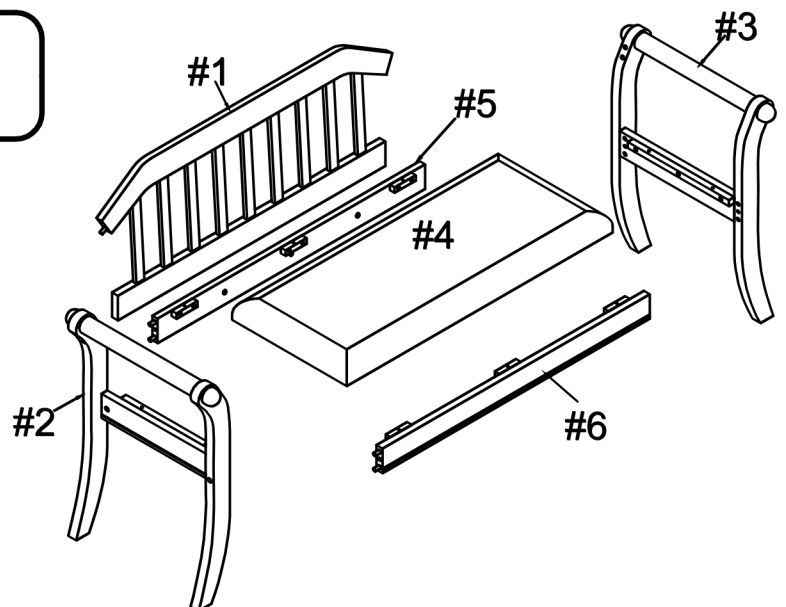
And remember, do not tighten until each step is completed or instructed.

### Parts List

### Hardware List

-  #1 x 1pc  
Backrest
-  #2 x 1pc  
Left Arm
-  #3 x 1pc  
Right Arm
-  #4 x 1pc  
Bench Cushion
-  #5 x 1pc  
Rear Support Rail
-  #6 x 1pc  
Front Support Rail

-  #A x 4pcs  
Bolt  $\text{Ø}1/4$ "x2-1/2"
-  #B x 5pcs  
Bolt  $\text{Ø}1/4$ "x1-3/16"
-  #C x 10pcs  
Screw 5/32"x1-3/16"
-  #D x 10pcs  
Wood Dowel 25/64"x1-3/16"
-  #E x 1pc  
Allen Wrench 5/32"

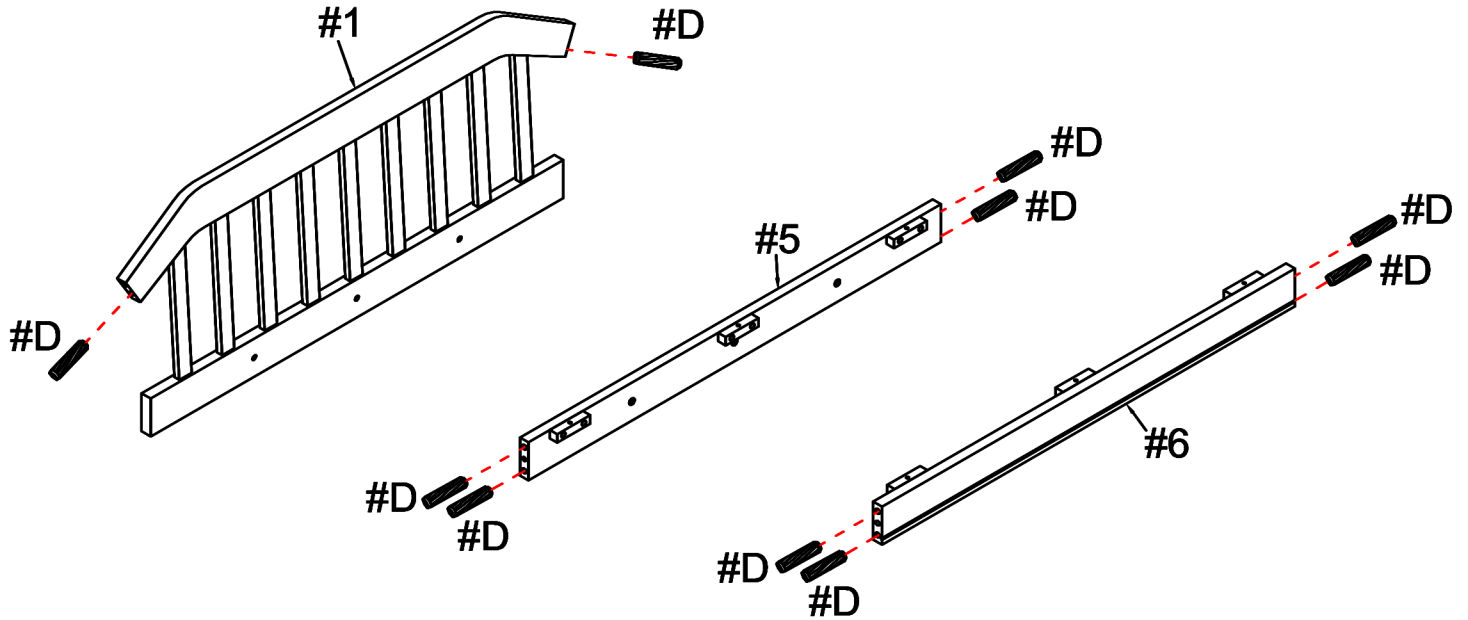




#1

Insert the wood dowels (#D) into the holes along each end of the backrest (#1), rear support rail (#5), and the front support rail (#6).

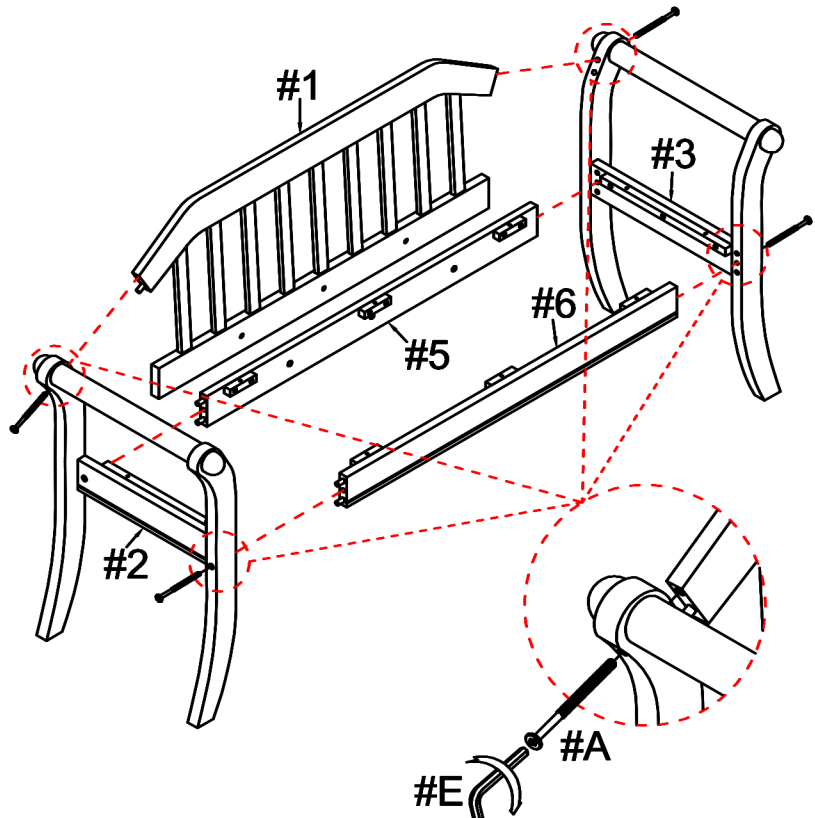
#D x 10pcs



#2

#A x 4pcs

Insert the other end of the wood dowels into the holes along the inner sides of the left and right arms (#2,3). Then insert a bolt (#A) into the holes. Secure using the Allen wrench (#E).

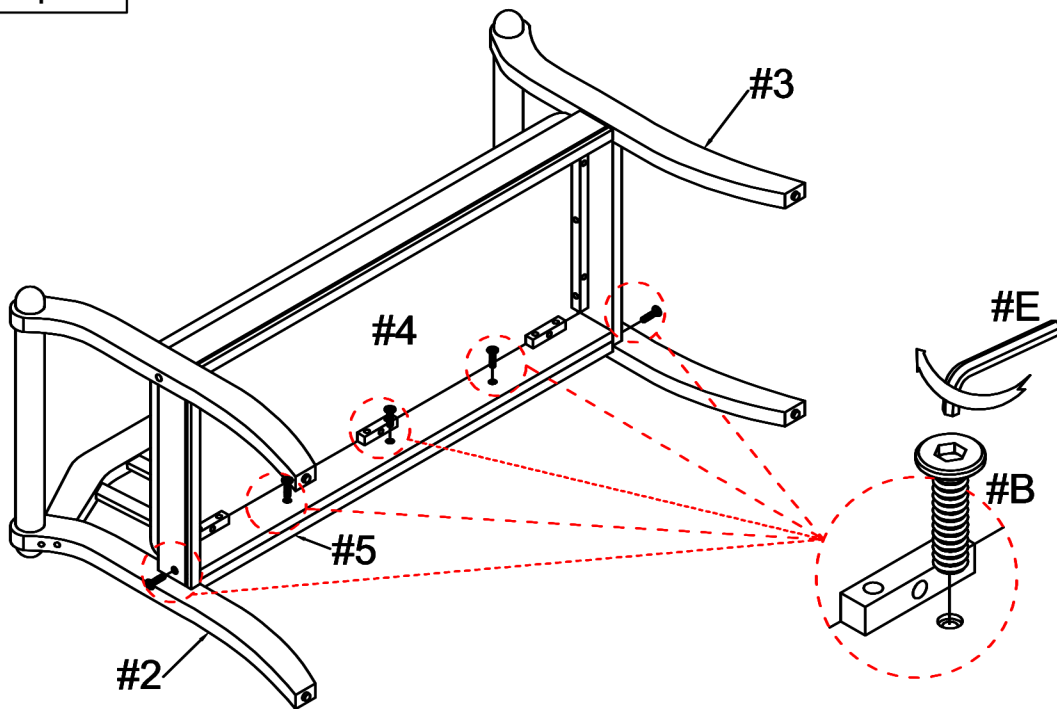




#3

Align the bench cushion (#4) to the holes, then insert the bolts (#B) from within. Secure using the Allen wrench (#E).

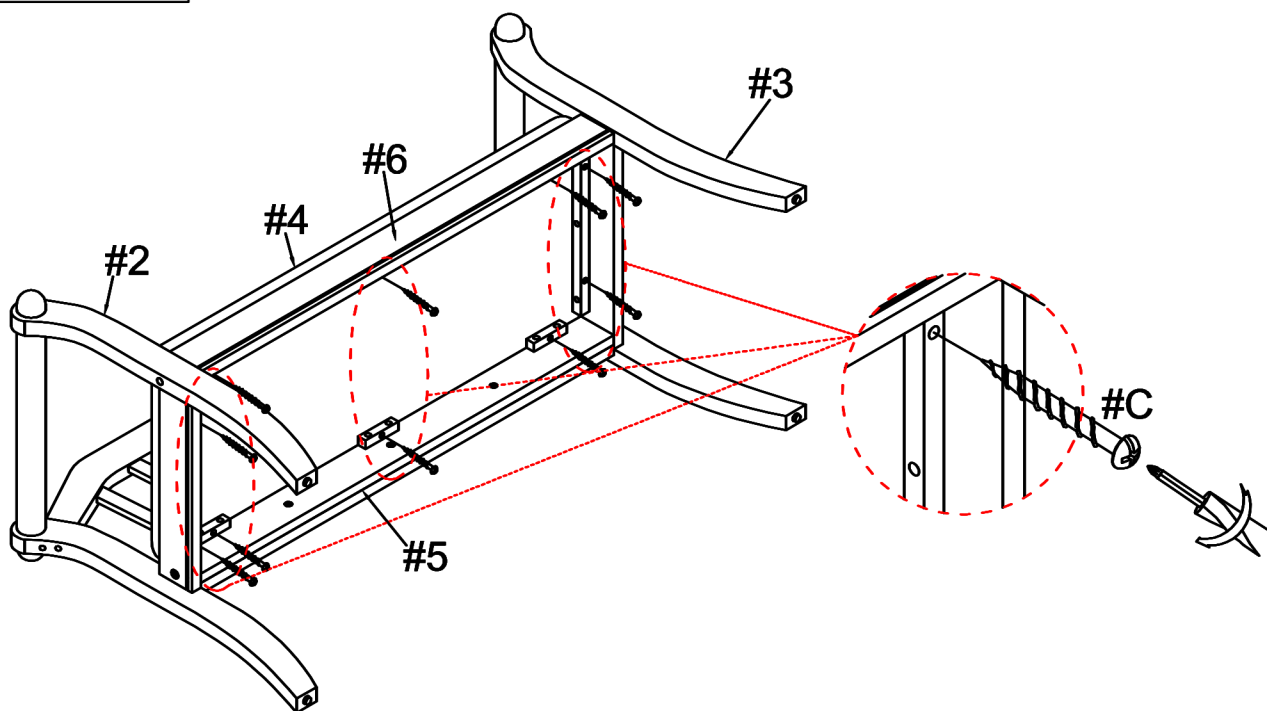
#B x 5pcs



#4

Insert the screws (#C) from below and secure using a screwdriver.

#C x 10pcs



ASSEMBLY IS COMPLETED