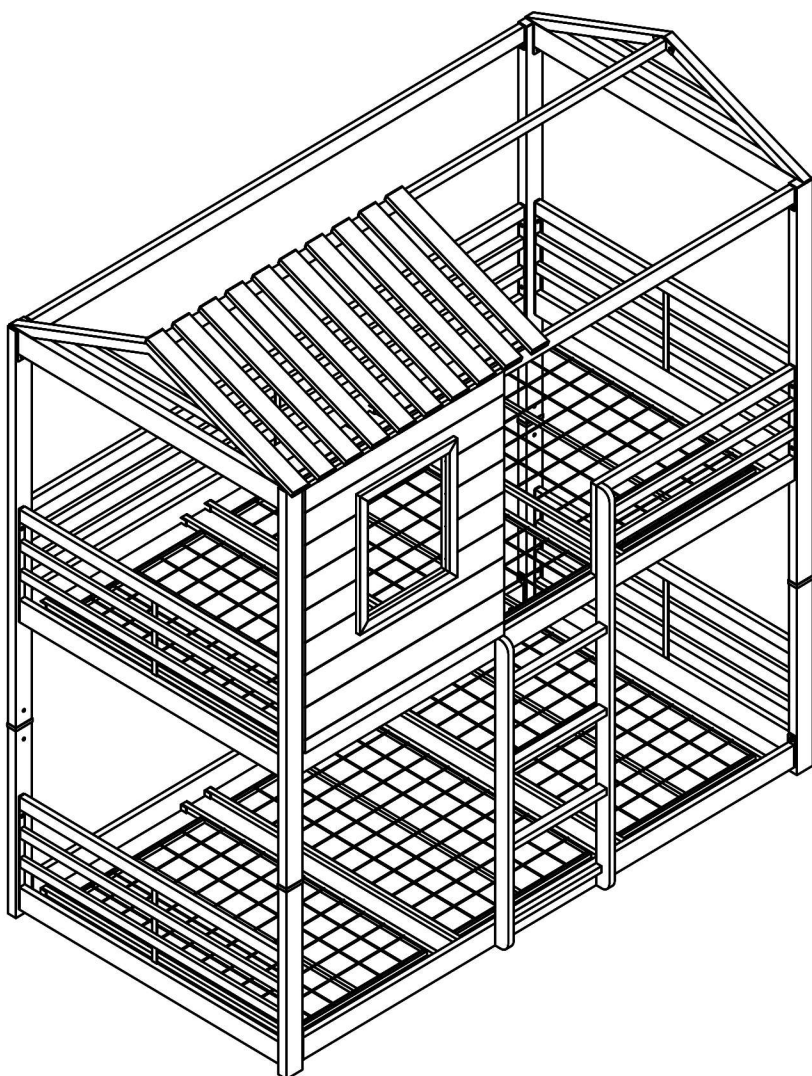
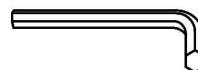


ASSEMBLY INSTRUCTIONS



TOOLS REQUIRED



Allen Wrench
(Included)



3 - People
Recommended

ASSEMBLY RATING



EASY —————> DIFFICULT

The Assembly Rating is a 5-point system showing the level of effort needed to assemble a specific product.



CHECK BEFORE STARTING

Are you missing anything?

Double-check all parts, hardware and accessories listed are all accounted for.

Check out our Quick Tips!

We recommend reviewing the pre-assembly handouts. Even experts need a refresher now and then!

Should we send any replacements?

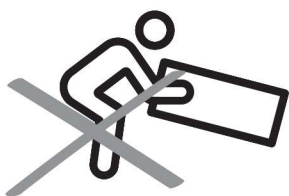
Are there any irregularities or flaws in the parts? We can send replacements!

Prep Time!

Please review the assembly instructions and all diagrams prior to assembling.

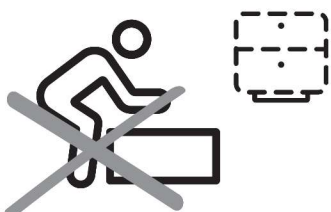
PRE ASSEMBLY INTRODUCTION

We understand building ready-to-assemble furniture can be a challenging experience for some. To help avoid confusion, we have provided some helpful tips that may speed up the process.



Teamwork

ALWAYS have at least two people to help with transporting and assembling the product to avoid potential injury and/or damage.



Suitable Location

Assembling near the area of the intended location is highly recommended.



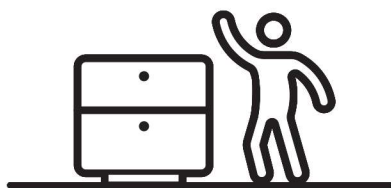
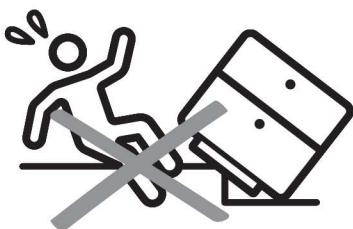
Sufficient Space

Make sure you have enough space to move around during the assembly.



Avoid Scratches

Use cardboard, blankets or a carpeted area while assembling furniture to prevent to prevent scratches and damages.



Flat Surface

Make sure the furniture rests on a flat and level surface with each leg evenly touching the floor.

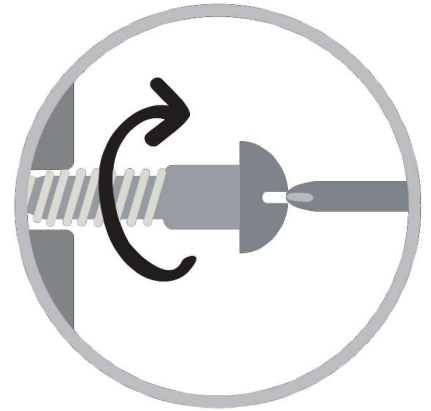
ASSEMBLY AND CARE ADVICE



FAILURE TO FOLLOW THE GUIDELINES BELOW MAY RESULT IN INJURY AND/OR PROPERTY DAMAGE.



Position each part correctly and insert screws or bolts into their respective holes.



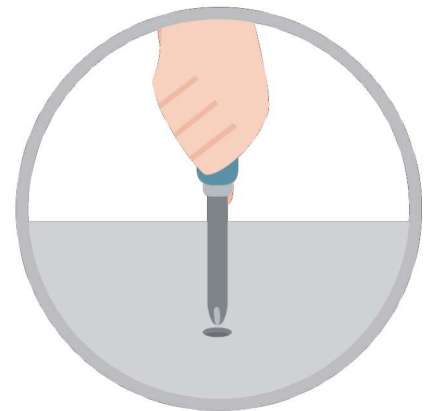
Turn clockwise to tighten and only tighten when step is completed or when instructed to do so.



Use the appropriate hand tools or power tools for assembly. Select steps, such as tightening screws and/or bolts, may require hand tools to avoid causing damage during assembly.



Save the instructions and store any supplied tools for later maintenance.



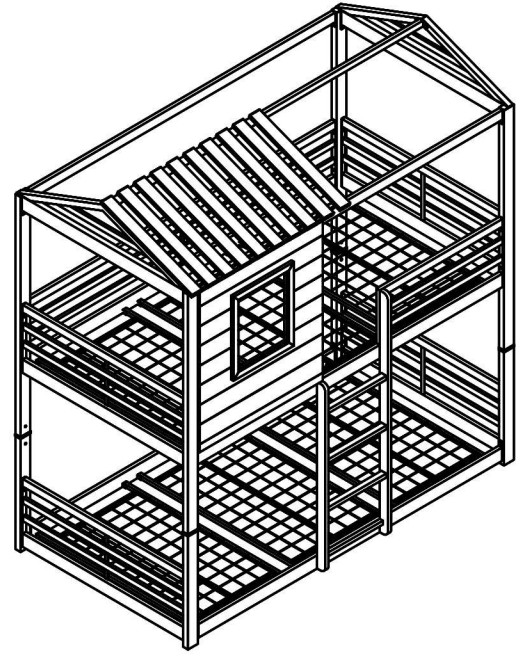
After two weeks, check and tighten any loose hardware and repeat again every six months thereafter.

IT IS THE USER'S RESPONSIBILITY TO MAINTAIN THE FURNITURE. THE HARDWARE MAY LOOSEN OVER TIME AND MAY CAUSE THE FURNITURE TO BE WOBBLY AND UNABLE TO SUPPORT ITS INTENDED WEIGHT CAPACITY. THIS MAY LEAD TO COLLAPSE AND MAY CAUSE SERIOUS INJURY.

BUNKBED



- Please keep instructions for future reference.
- Check the quantity and irregularity of parts and hardware before you start.



PARTS

#1 2pcs



Support Bar 1

#2 2pcs



Support Bar 2

#3 2pcs



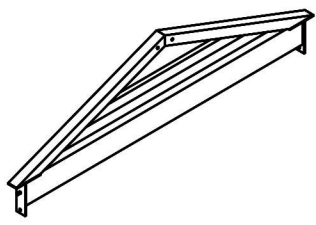
Support Bar 3

#4 2pcs



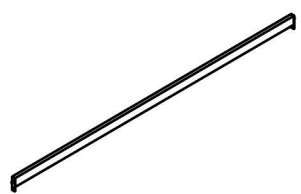
Support Bar 4

#5 2pcs



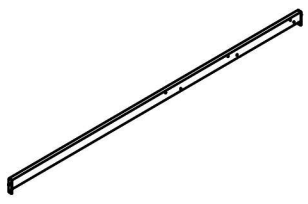
Upper Side Frame

#6 1pc



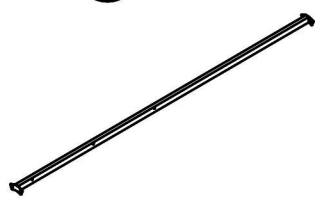
Connect Bar 1

#7 1pc



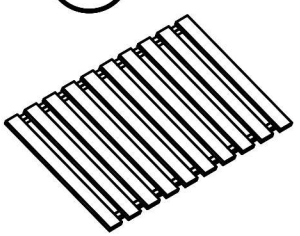
Connect Bar 2

#8 1pc



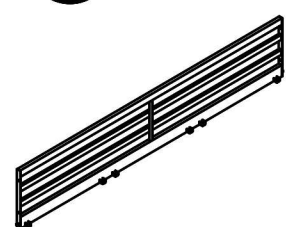
Connect Bar 3

#9 1pc



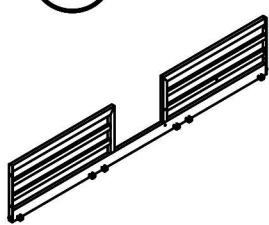
Top Frame

#10 1pc



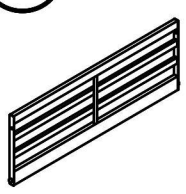
Middle Back Guardrail

#11 1pc



Middle Front Guardrail

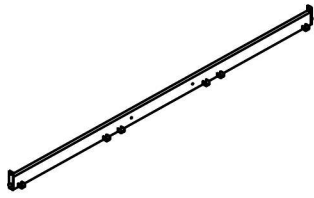
#12 4pcs



Side Frame

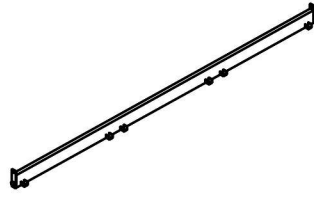
PARTS

#13 1pc



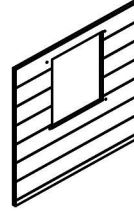
Down Front Rail

#14 1pc



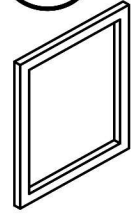
Down Back Rail

#15 1pc



Up Bed Window

#16 1pc



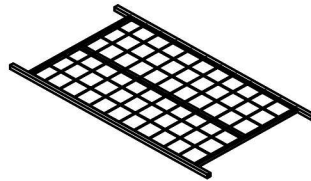
Window Frame

#17 1pc



Ladder

#18 6pcs



Slat

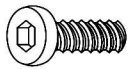
#19 4pcs



Support Bar Connect

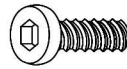
HARDWARE

#A 64pcs



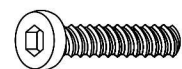
Bolt $\phi 1/4"$ x5/8"
(White)

#B 6pcs



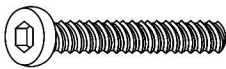
Bolt $\phi 1/4"$ x5/8"
(Black)

#C 6pcs



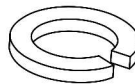
Bolt $\phi 1/4"$ x1"
(White)

#D 8pcs



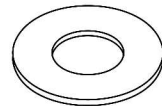
Bolt $\phi 1/4"$ x1-1/4"
(White)

#E 8pcs



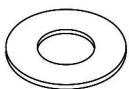
Lock Washer $\phi 11$ mm
(White)

#F 78pcs



Flat Washer $\phi 11$ mm
(White)

#G 6pcs



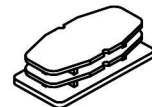
Flat Washer $\phi 16$ mm
(Black)

#H 1pc





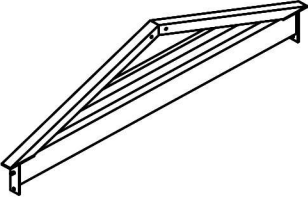
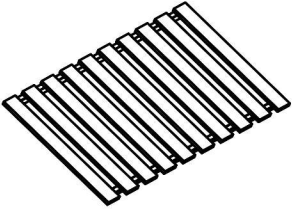
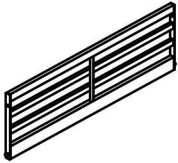
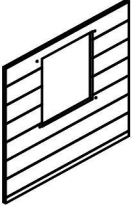
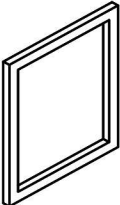
Allen Wrench

#I 8pcs


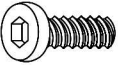

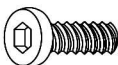

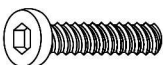



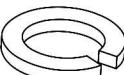
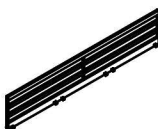
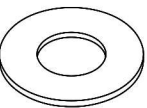
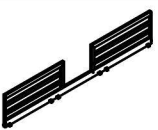
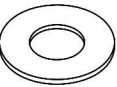
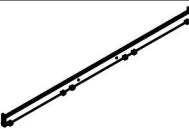

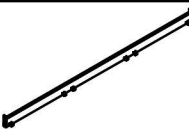


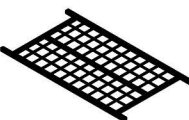



Cap

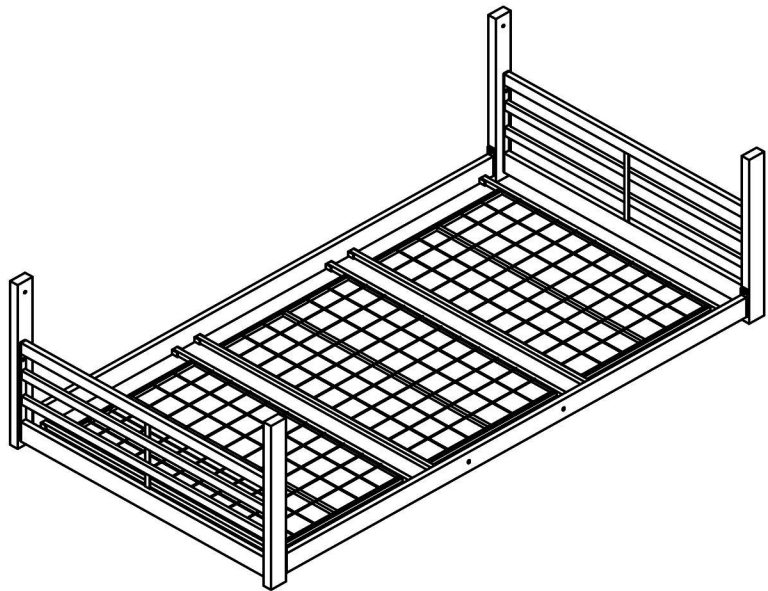
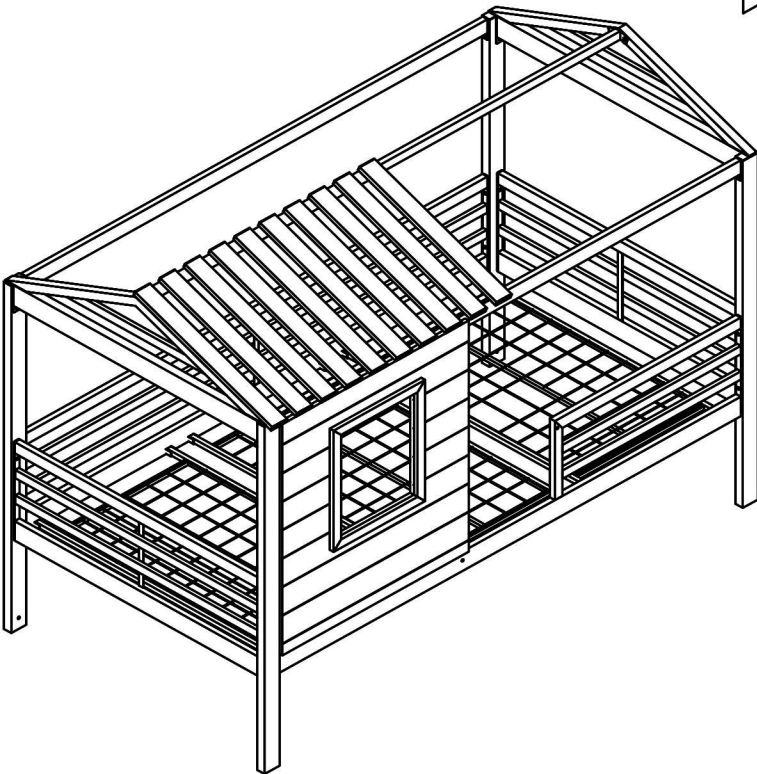
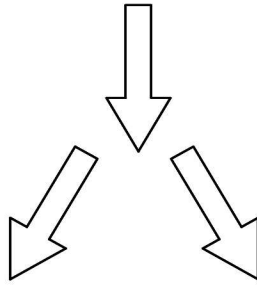
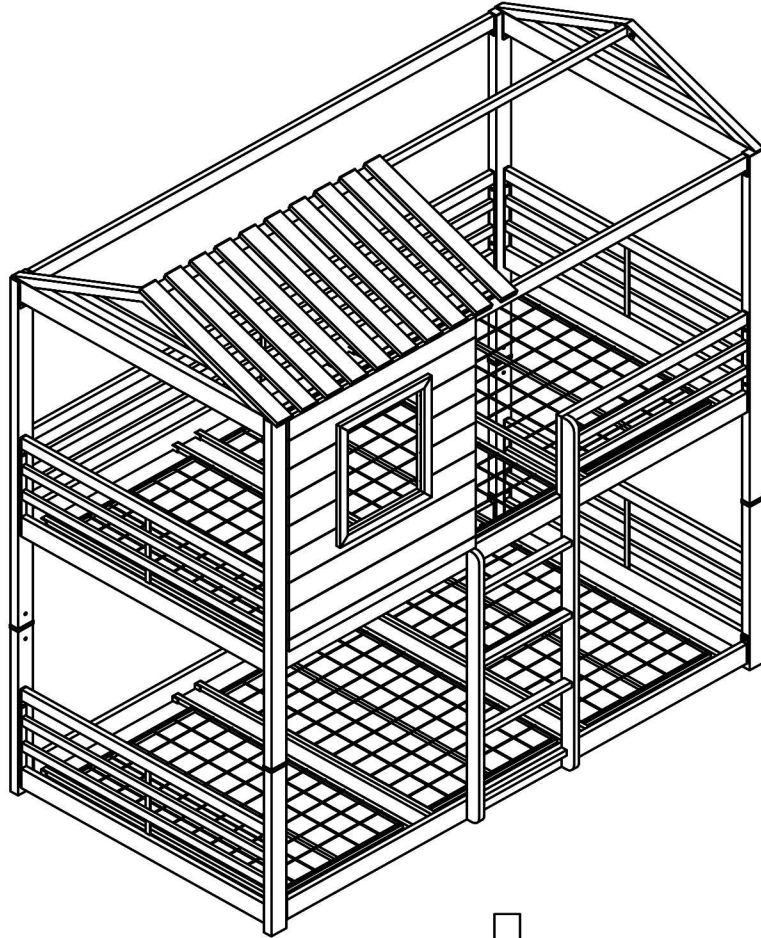
Points 2 cartons

Carton	Designation		Part	
	Support Bar 1	2pcs	#1	
	Support Bar 2	2pcs	#2	
	Up Side Frame	2pcs	#5	
	Top Frame	1pc	#9	
	Side Frame	4pcs	#12	
	Up Bed Window	1pc	#15	
	Window Frame	1pc	#16	

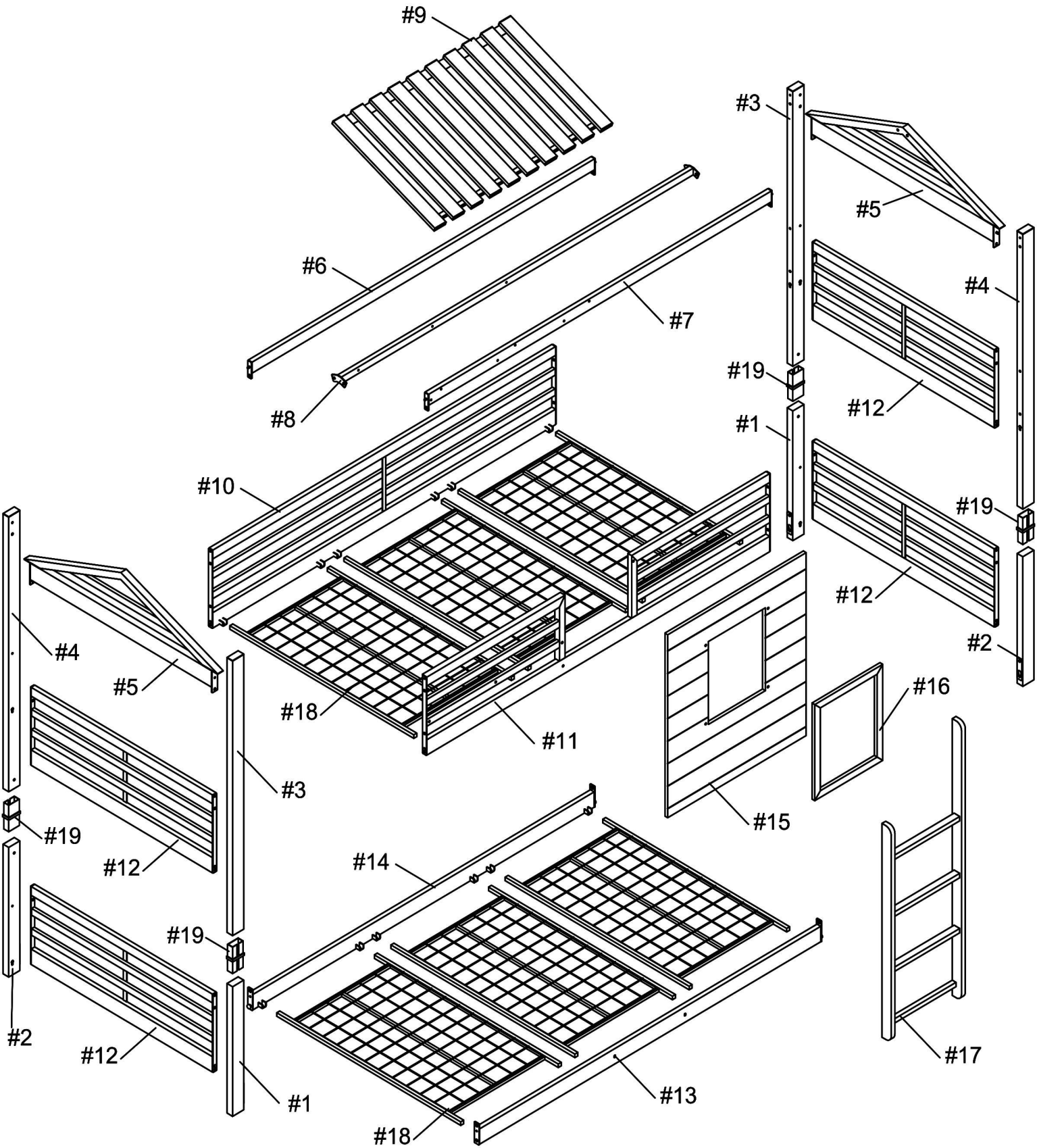
Points 2 cartons

Carton	Designation		Part		Hardware	
	Support Bar 3	2pcs	#3		#A 64pcs	
	Support Bar 4	2pcs	#4		#B 6pcs	
	Connect Bar 1	1pc	#6		#C 6pcs	
	Connect Bar 2	1pc	#7		#D 8pcs	
	Connect Bar 3	1pc	#8		#E 8pcs	
	Middle Back Guardrail	1pc	#10		#F 78pcs	
	Middle Front Guardrail	1pc	#11		#G 6pcs	
	Down Front Rail	1pc	#13		#H 1pc	
	Down Back Rail	1pc	#14		#I 8pcs	
	Ladder	1pc	#17			
	Slat	6pcs	#18			
	Support Bar Connect	4pcs	#19			

FLIP PANEL FUNCTION



Exploded View

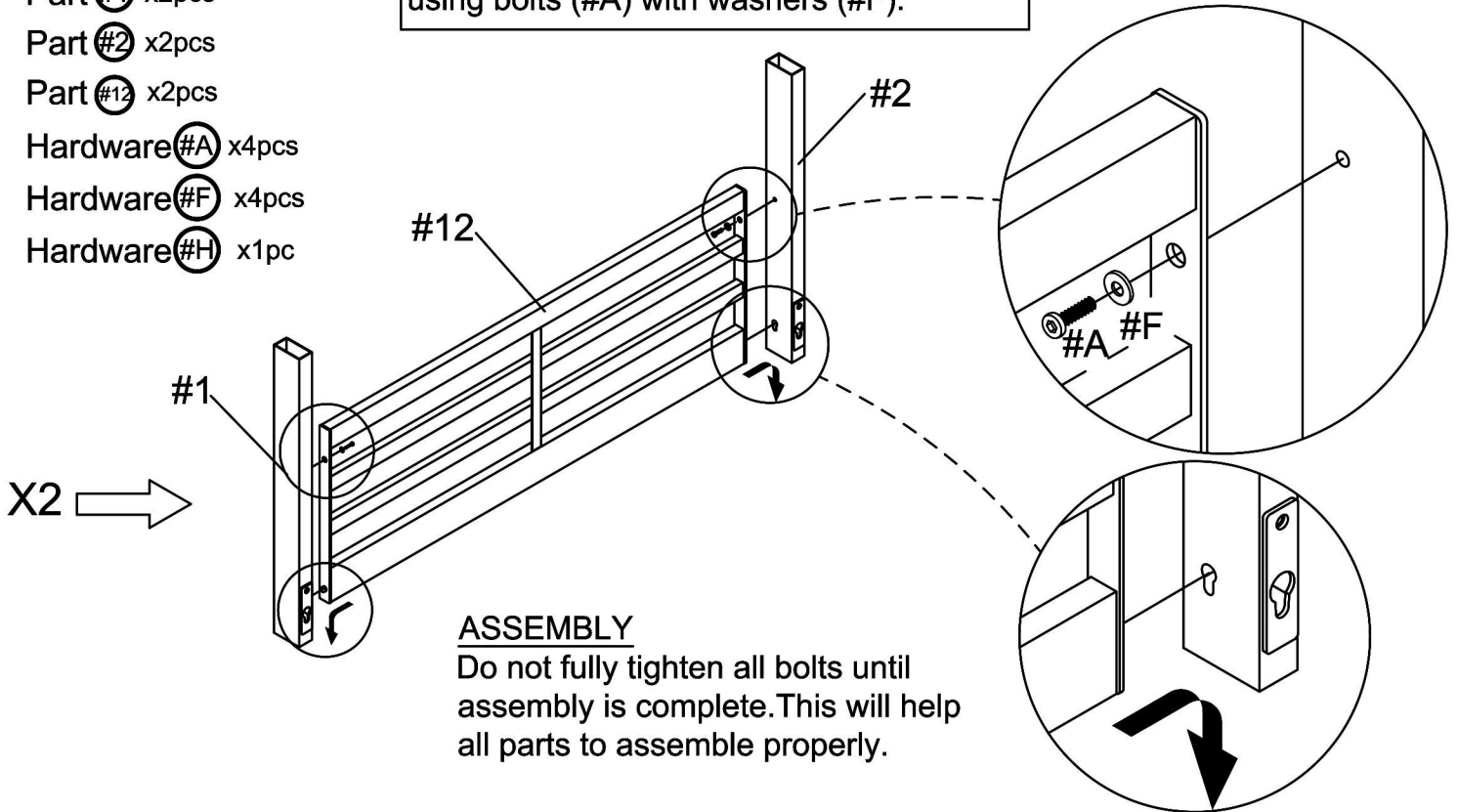


ASSEMBLY INSTRUCTIONS

1

- Part #1 x2pcs
- Part #2 x2pcs
- Part #12 x2pcs
- Hardware #A x4pcs
- Hardware #F x4pcs
- Hardware #H x1pc

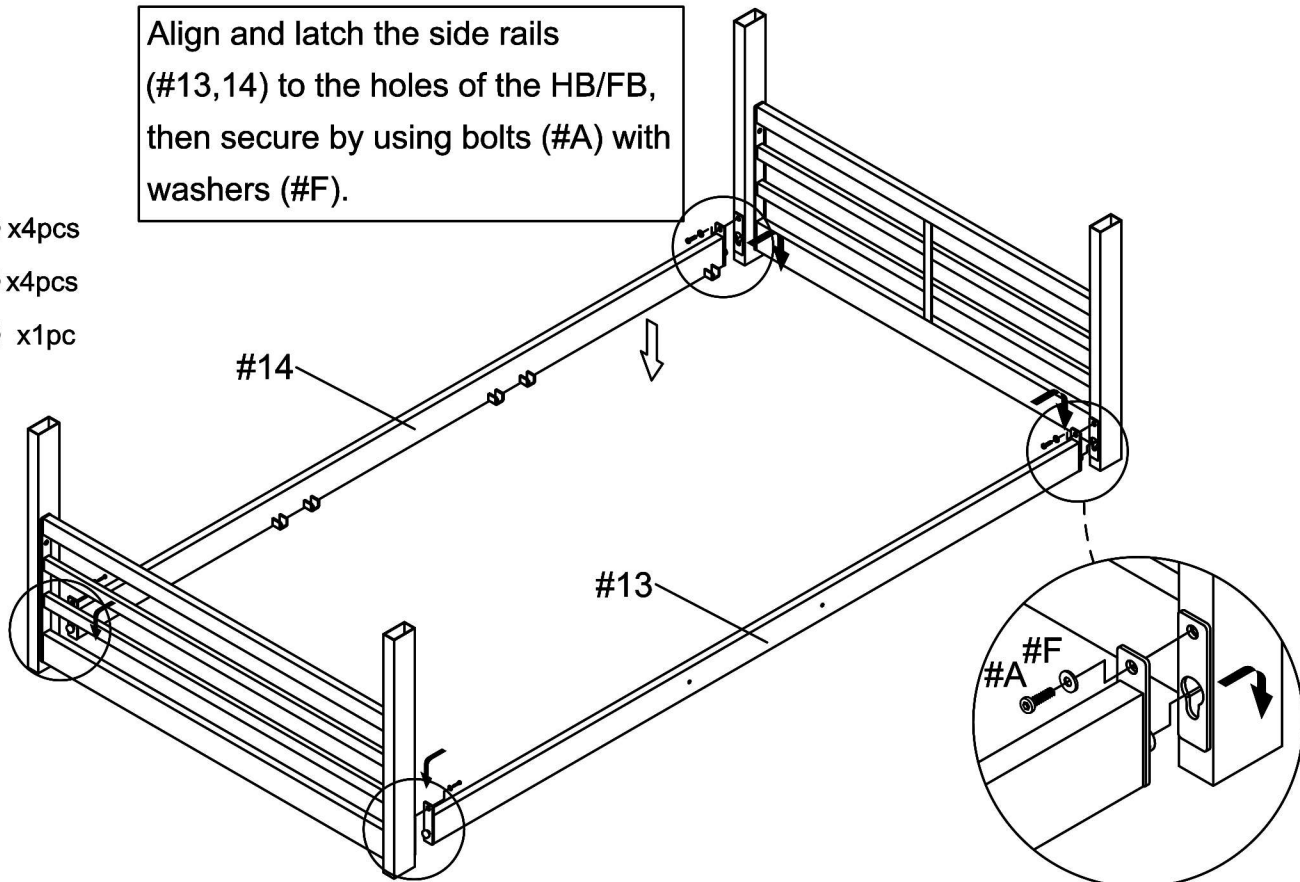
Hook side frame (#12) to the bottom hole of the support bars (#1,2). Secure by using bolts (#A) with washers (#F).



2

- Part #13 x1pc
- Part #14 x1pc
- Hardware #A x4pcs
- Hardware #F x4pcs
- Hardware #H x1pc

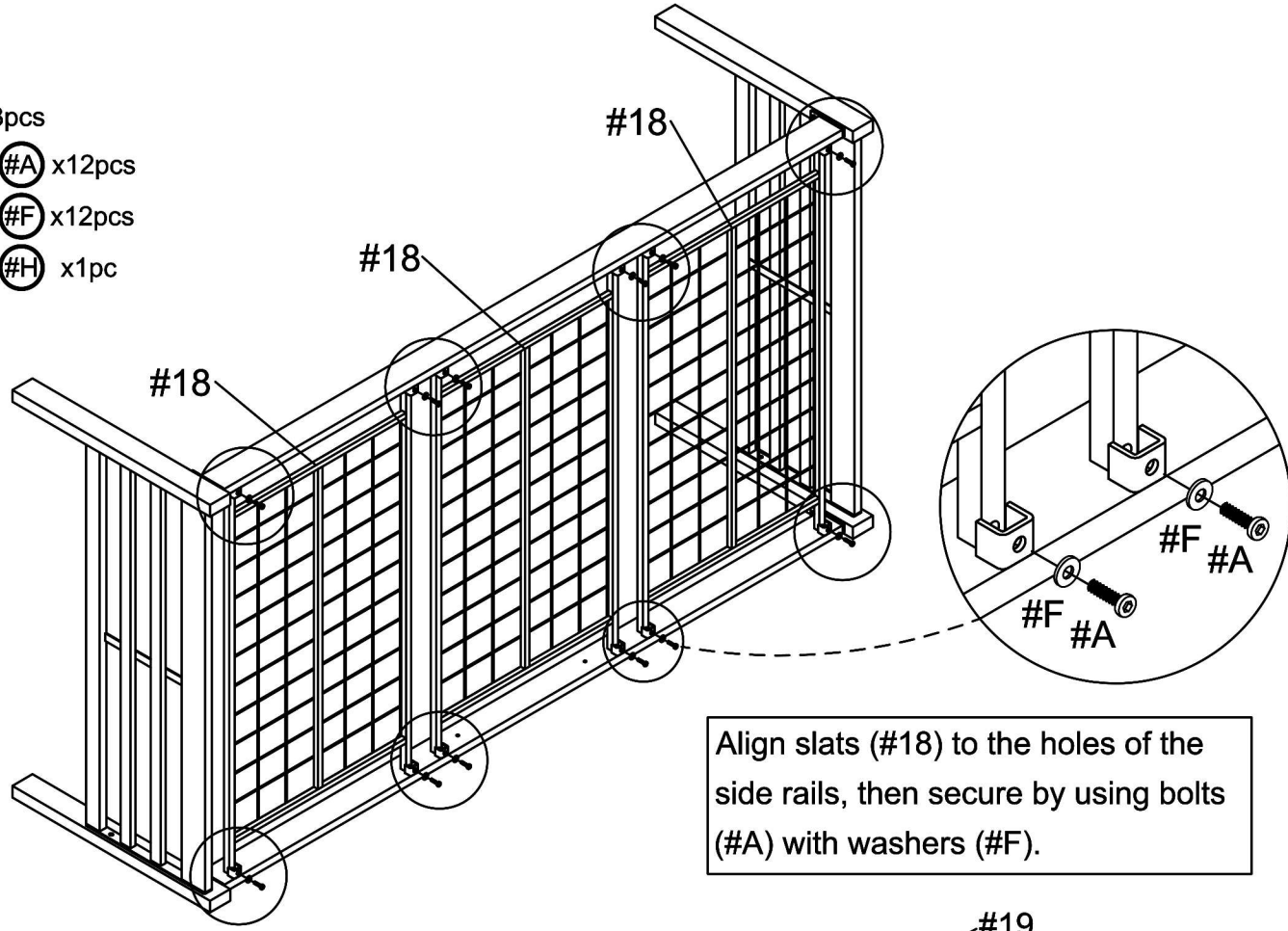
Align and latch the side rails (#13,14) to the holes of the HB/FB, then secure by using bolts (#A) with washers (#F).



ASSEMBLY INSTRUCTIONS

3

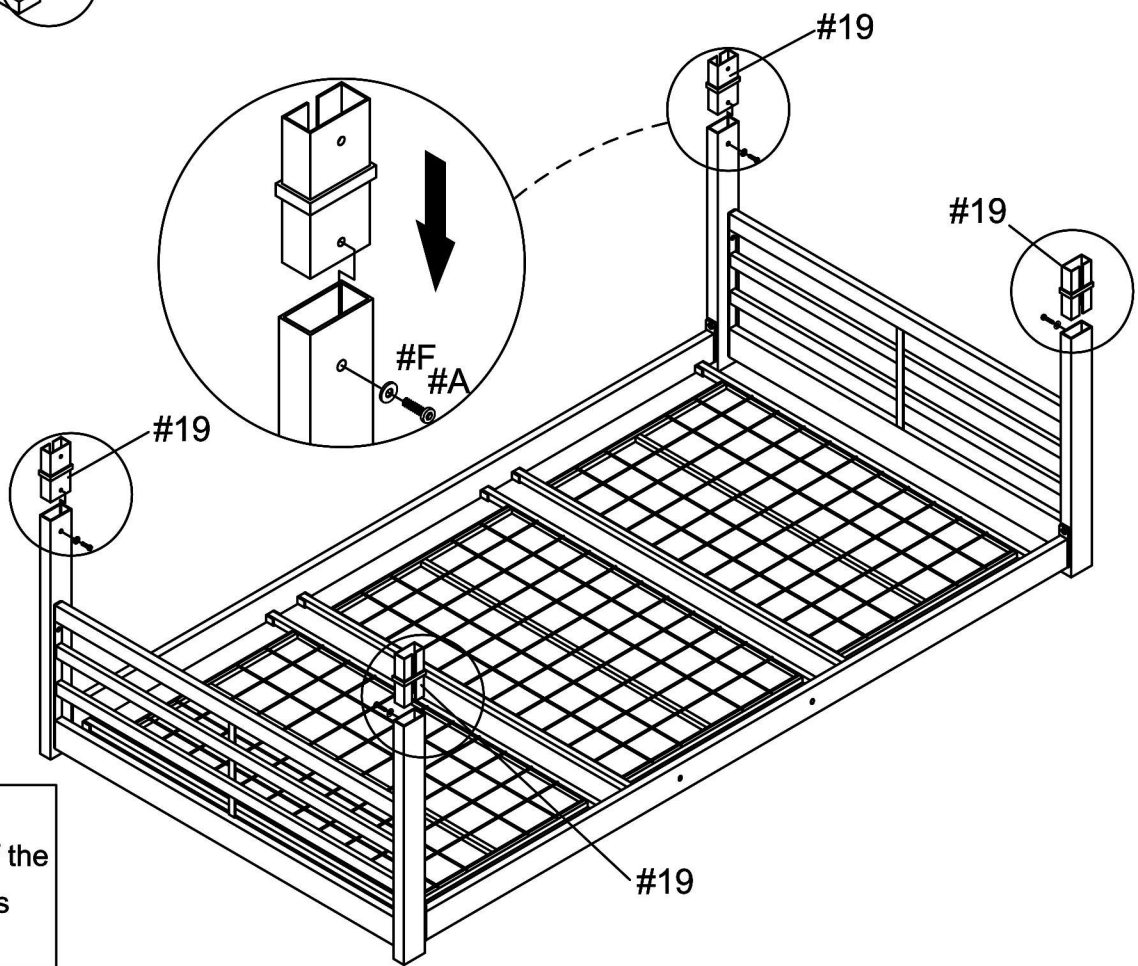
- Part #18 x3pcs
- Hardware #A x12pcs
- Hardware #F x12pcs
- Hardware #H x1pc



Align slats (#18) to the holes of the side rails, then secure by using bolts (#A) with washers (#F).

4

- Part #19 x4pcs
- Hardware #A x4pcs
- Hardware #F x4pcs
- Hardware #H x1pc

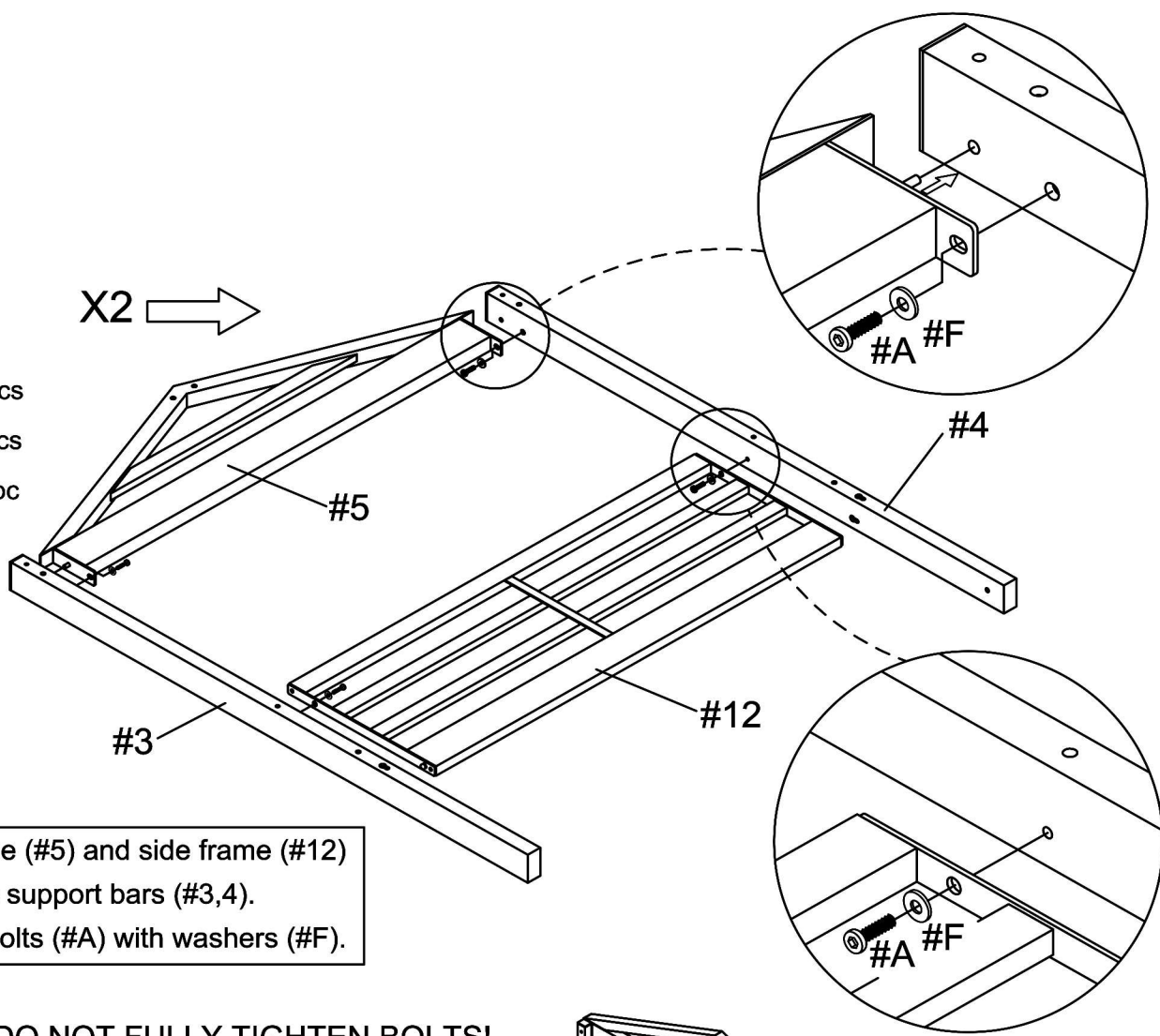


Insert and align support bar connect (#19) to the holes of the HB/FB. Secure by using bolts (#A) with washers (#F).

ASSEMBLY INSTRUCTIONS

5

- Part #3 x2pcs
- Part #4 x2pcs
- Part #5 x2pcs
- Part #12 x2pcs
- Hardware #A x8pcs
- Hardware #F x8pcs
- Hardware #H x1pc

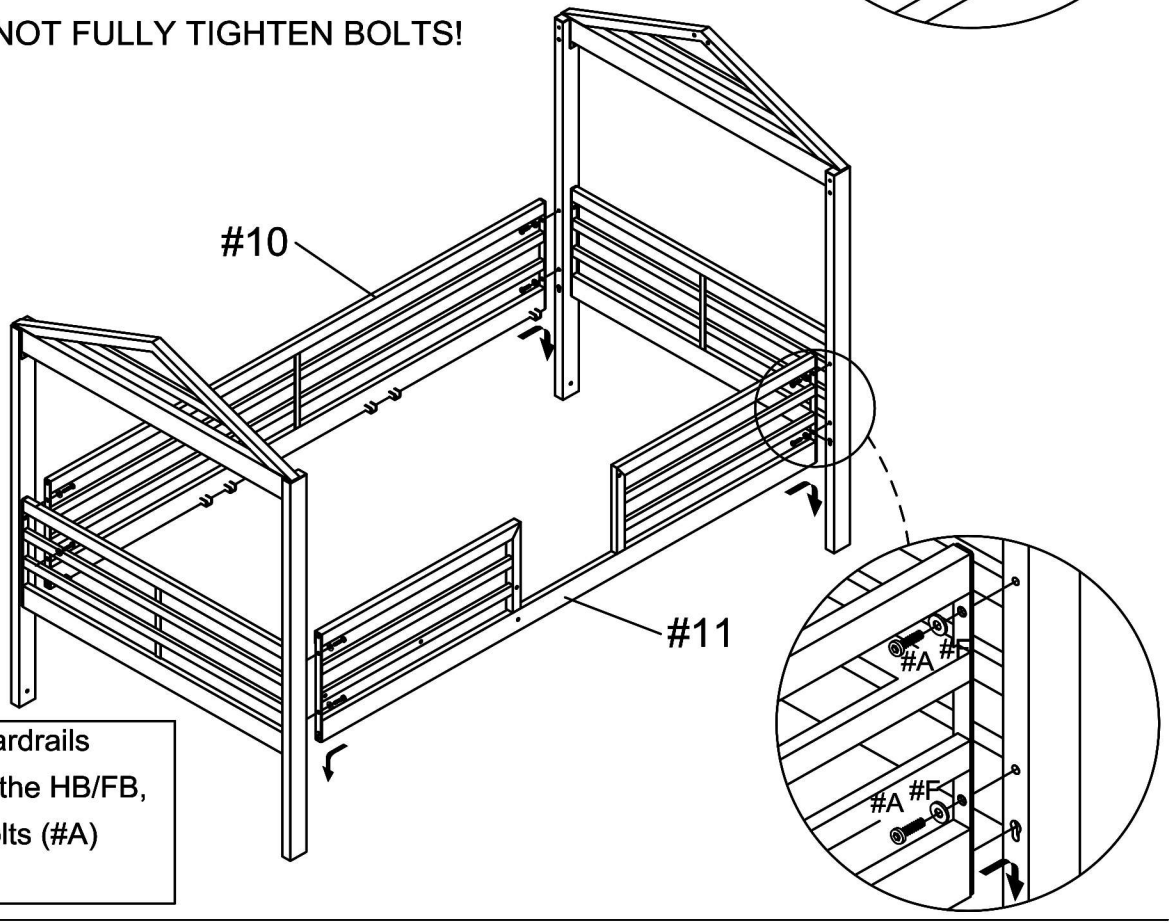


Align up side frame (#5) and side frame (#12) to the holes of the support bars (#3,4).
Secure by using bolts (#A) with washers (#F).

6

DO NOT FULLY TIGHTEN BOLTS!

- Part #10 x1pc
- Part #11 x1pc
- Hardware #A x8pcs
- Hardware #F x8pcs
- Hardware #H x1pc



Align back and front guardrails (#10,11) to the holes of the HB/FB, then secure by using bolts (#A) with washers (#F).

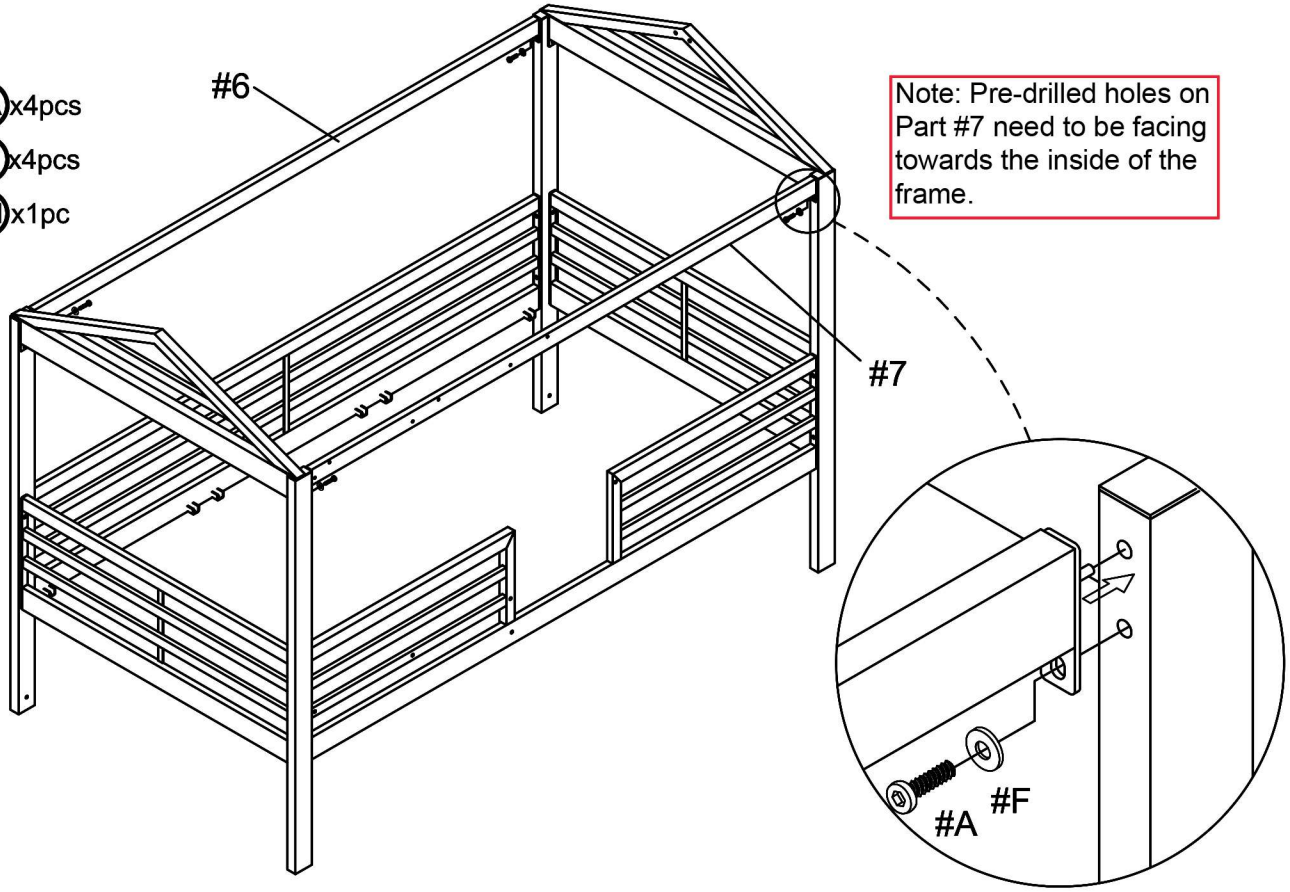
ASSEMBLY INSTRUCTIONS

7 DO NOT FULLY TIGHTEN BOLTS!

- Part #6 x1pc
- Part #7 x1pc
- Hardware #A x4pcs
- Hardware #F x4pcs
- Hardware #H x1pc

Align connect bars(#6,7) to the holes of the HB/FB, then secure by using bolts (#A) with washers (#F).

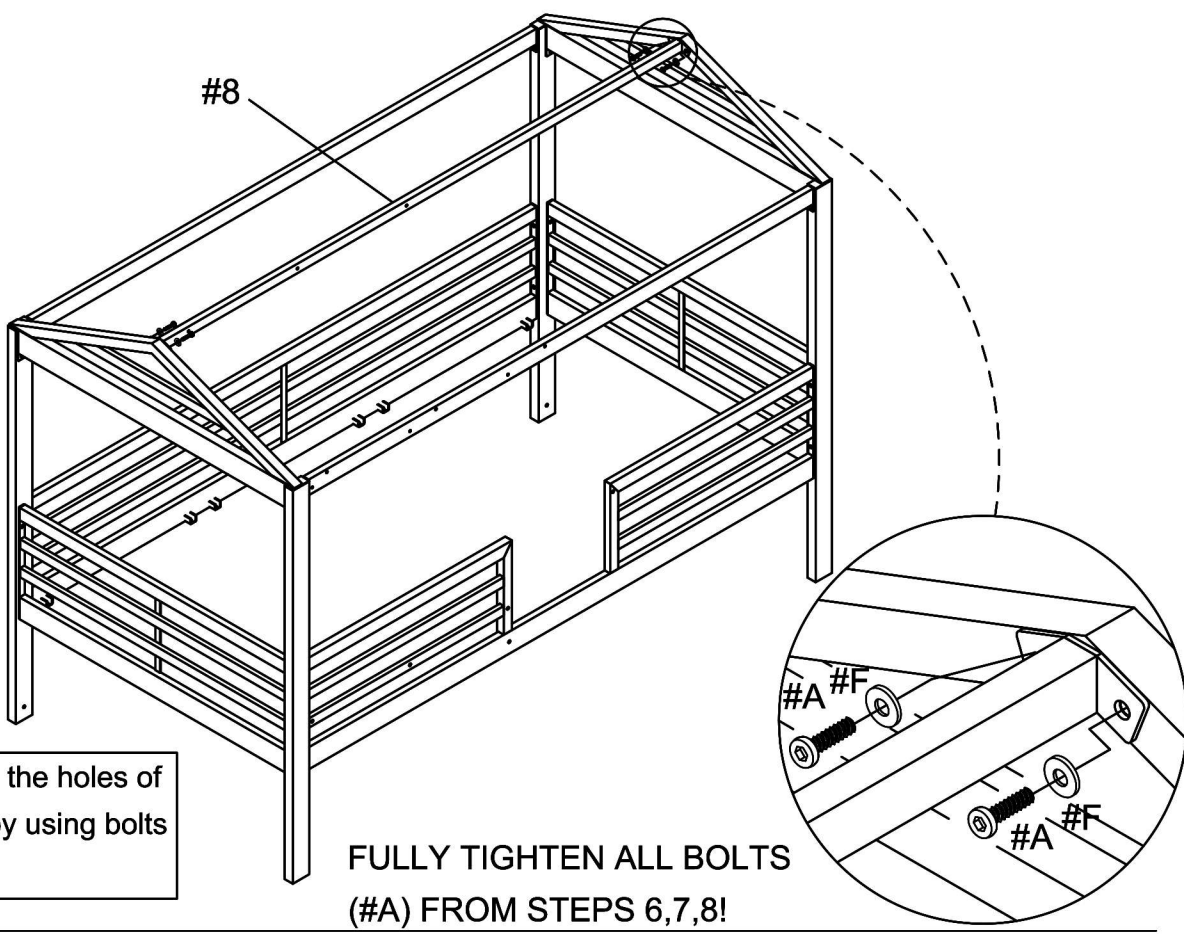
Note: Pre-drilled holes on Part #7 need to be facing towards the inside of the frame.



- ## 8
- Part #8 x1pc
 - Hardware #A x4pcs
 - Hardware #F x4pcs
 - Hardware #H x1pc

Align connect bars(#8) to the holes of the HB/FB, then secure by using bolts (#A) with washers (#F).

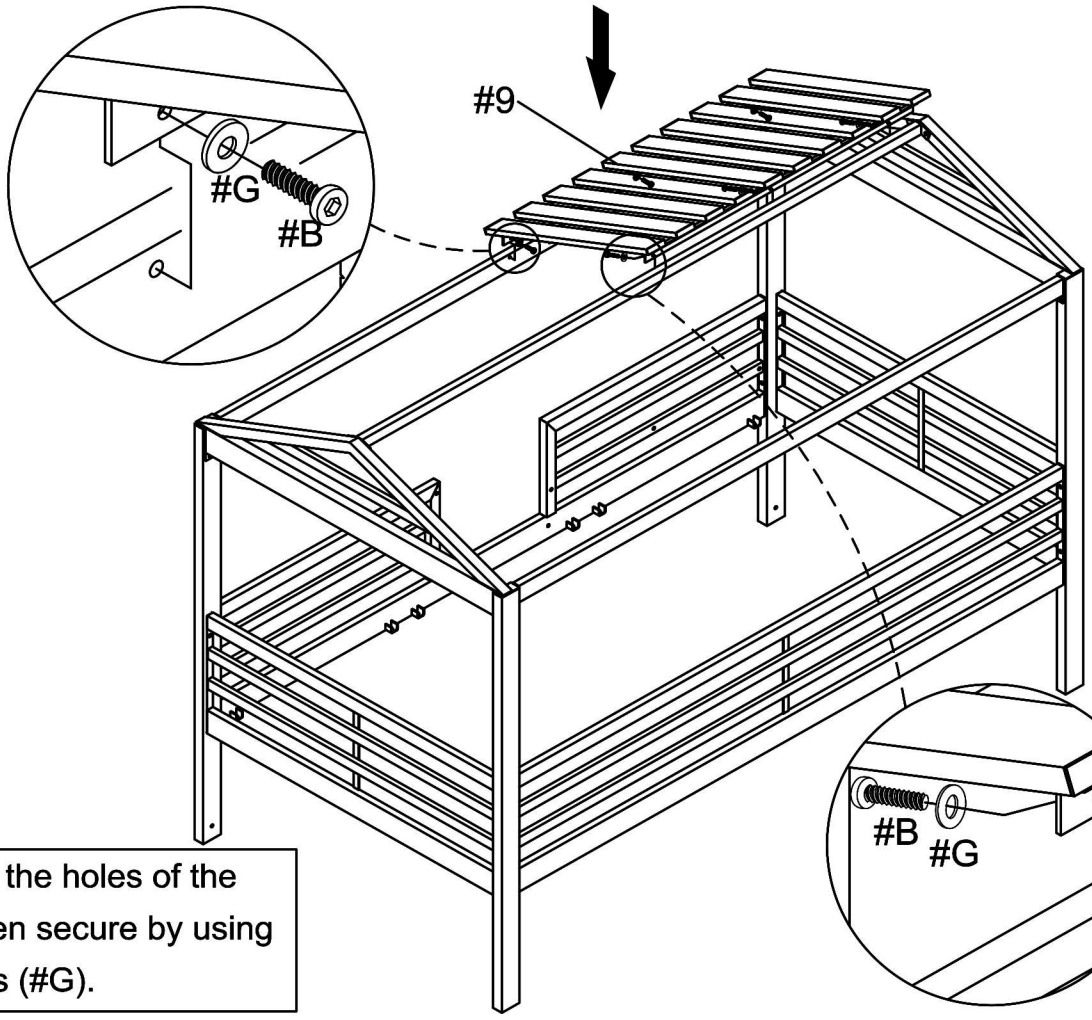
FULLY TIGHTEN ALL BOLTS (#A) FROM STEPS 6,7,8!



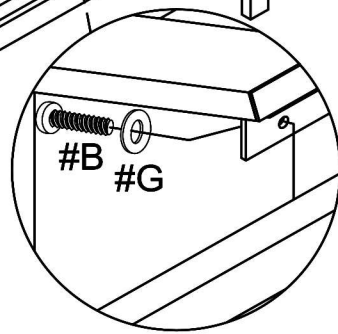
ASSEMBLY INSTRUCTIONS

9

- Part #9 x1pc
- Hardware #B x6pcs
- Hardware #G x6pcs
- Hardware #I x1pc

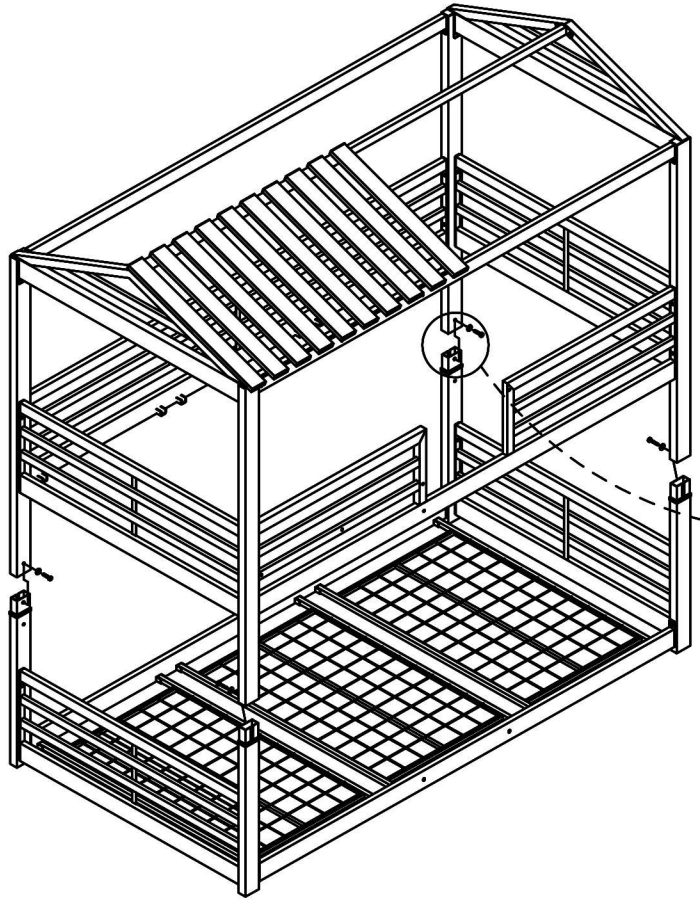


Align top frame (#9) to the holes of the connect bars(#7,8), then secure by using bolts (#B) with washers (#G).

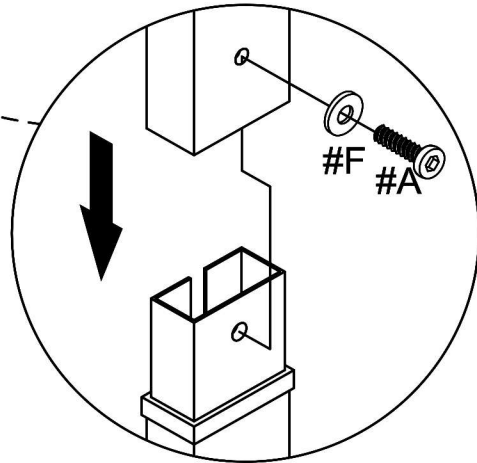


10

- Hardware #A x4pcs
- Hardware #F x4pcs
- Hardware #H x1pc



Insert the upper bunk to the holes of the lower bunk, then secure by using bolts (#A) with washers (#F).

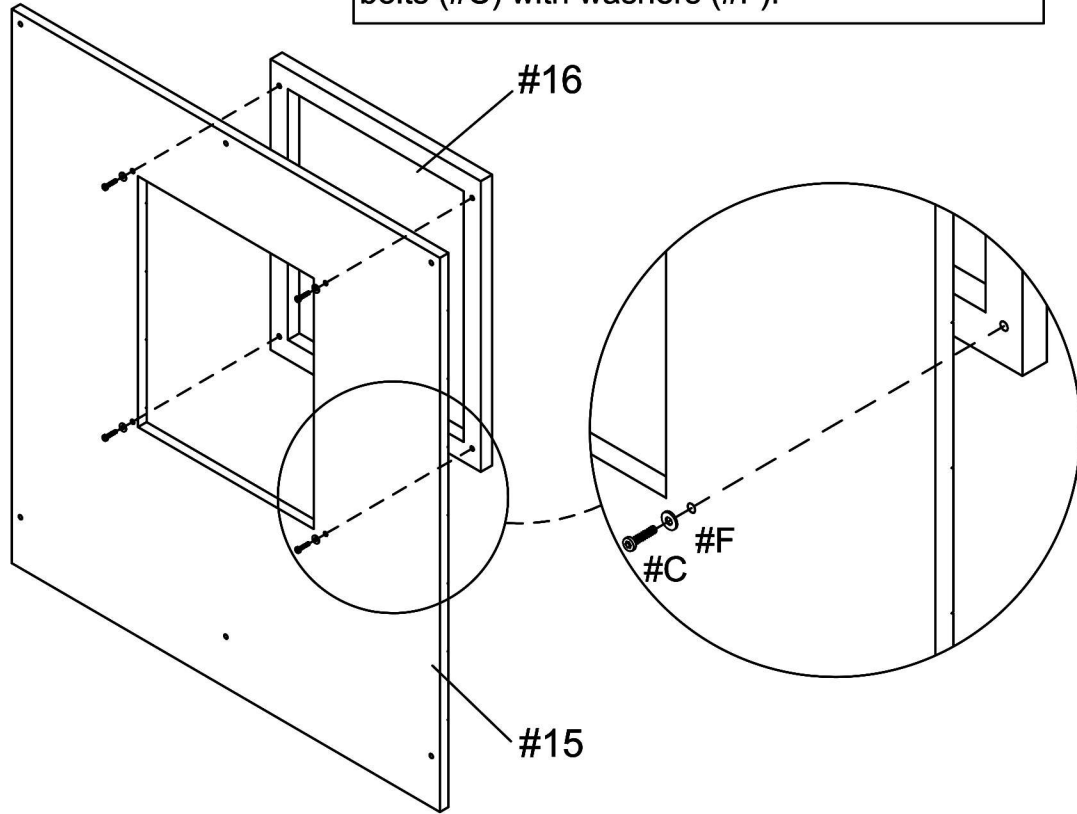


ASSEMBLY INSTRUCTIONS

11

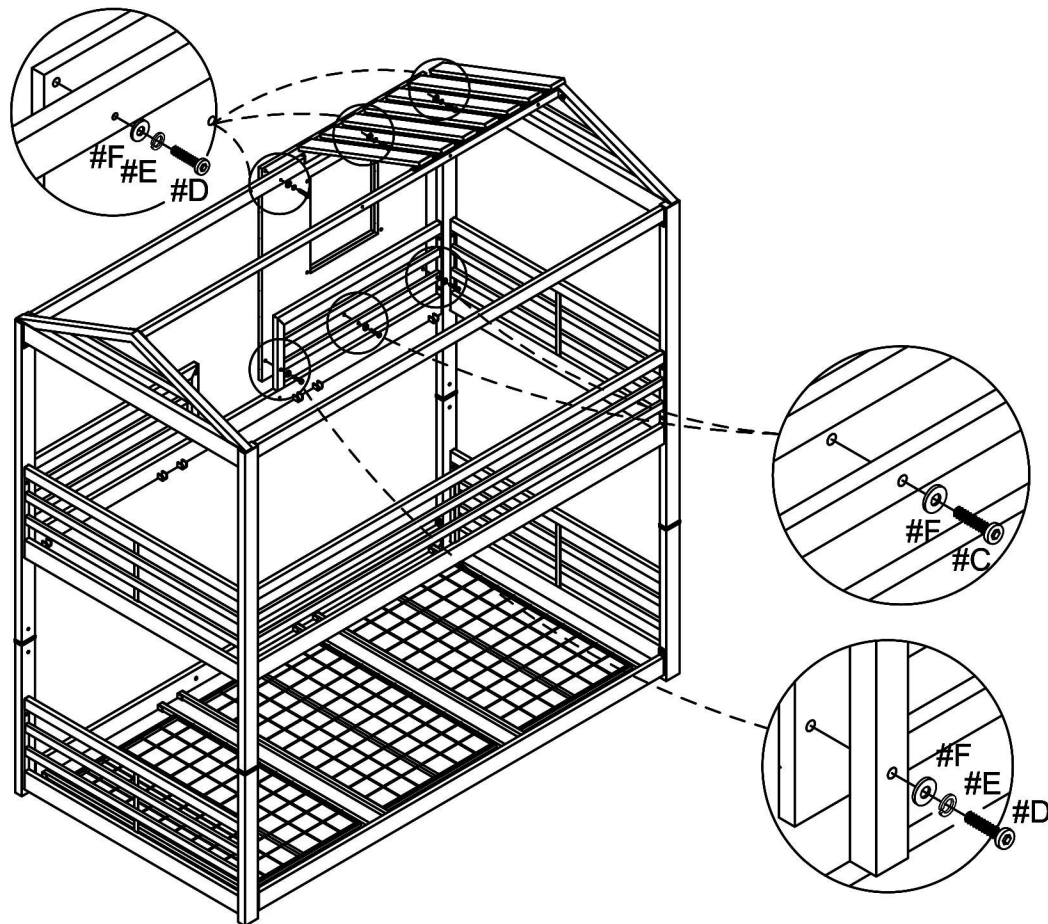
- Part #15 x1pc
- Part #16 x1pc
- Hardware #C x4pcs
- Hardware #F x4pcs
- Hardware #I x1pc

Align window frame (#16) to the holes of the bed window (#15), then secure by using bolts (#C) with washers (#F).



12

- Hardware #C x2pcs
- Hardware #D x4pcs
- Hardware #E x4pcs
- Hardware #F x6pcs
- Hardware #H x1pc



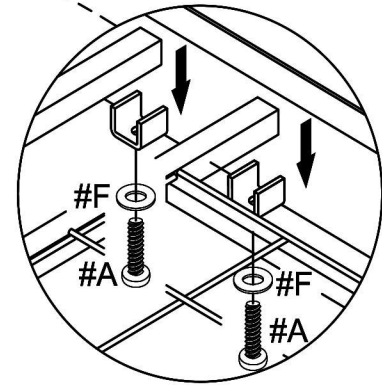
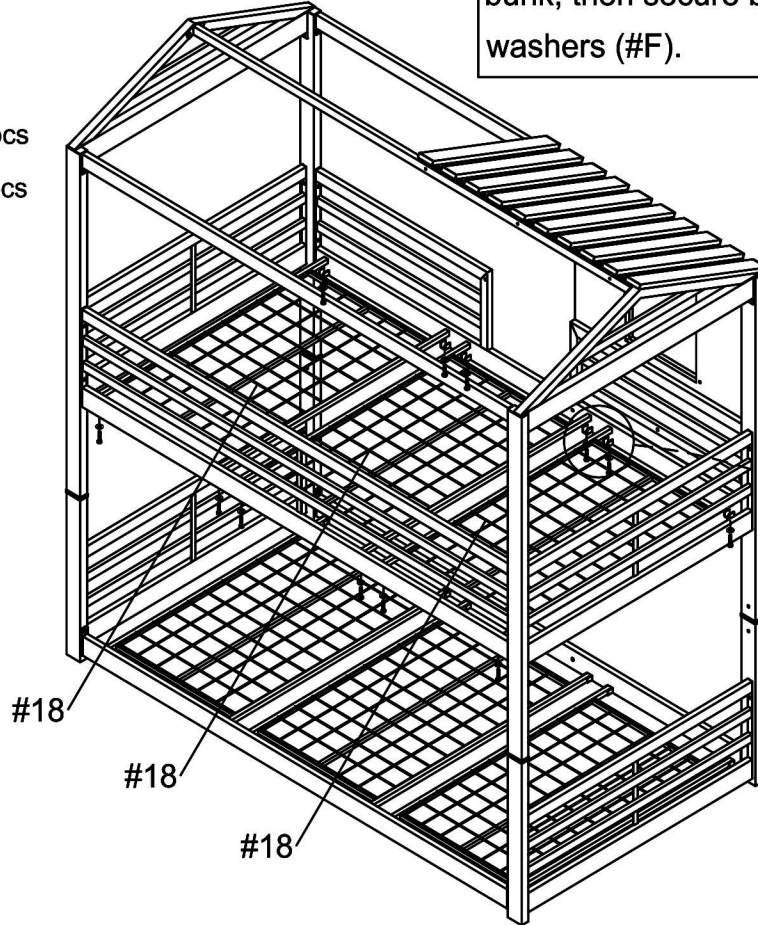
Align window to the holes of the upper bunk, then secure by using the following bolts (#C,D) and washers (#E,F) as shown in the diagram.

ASSEMBLY INSTRUCTIONS

13

- Part (#18) x3pcs
- Hardware (#A) x12pcs
- Hardware (#F) x12pcs
- Hardware (#I) x1pc

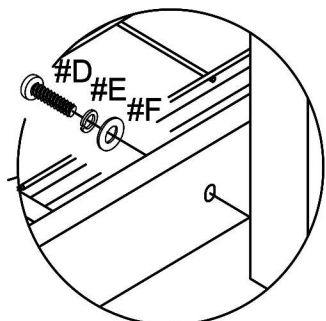
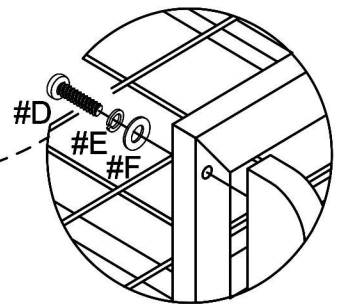
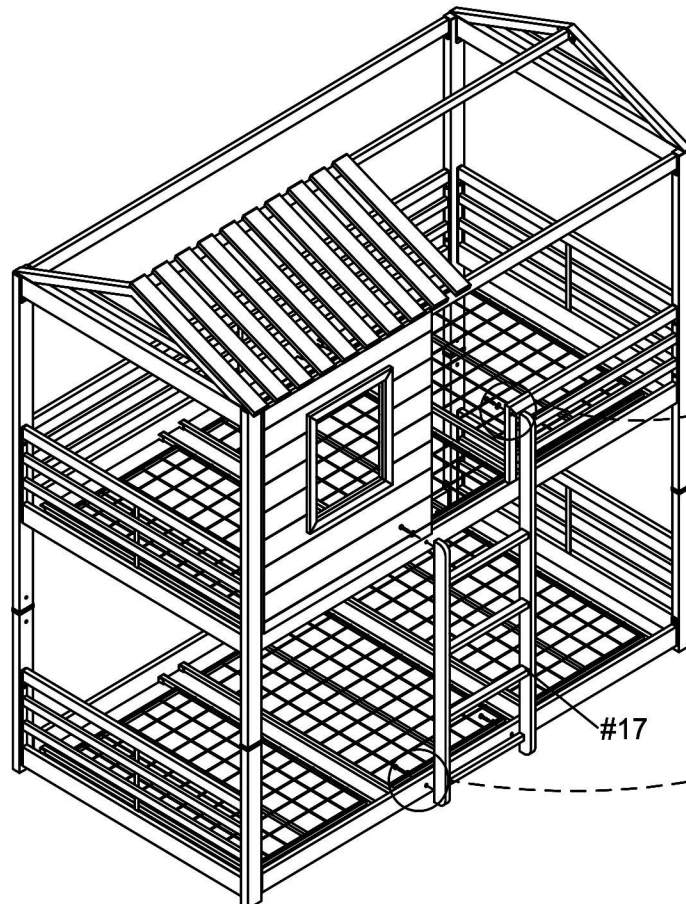
Align slats (#18) to the holes of the upper bunk, then secure by using bolts (#A) with washers (#F).



14

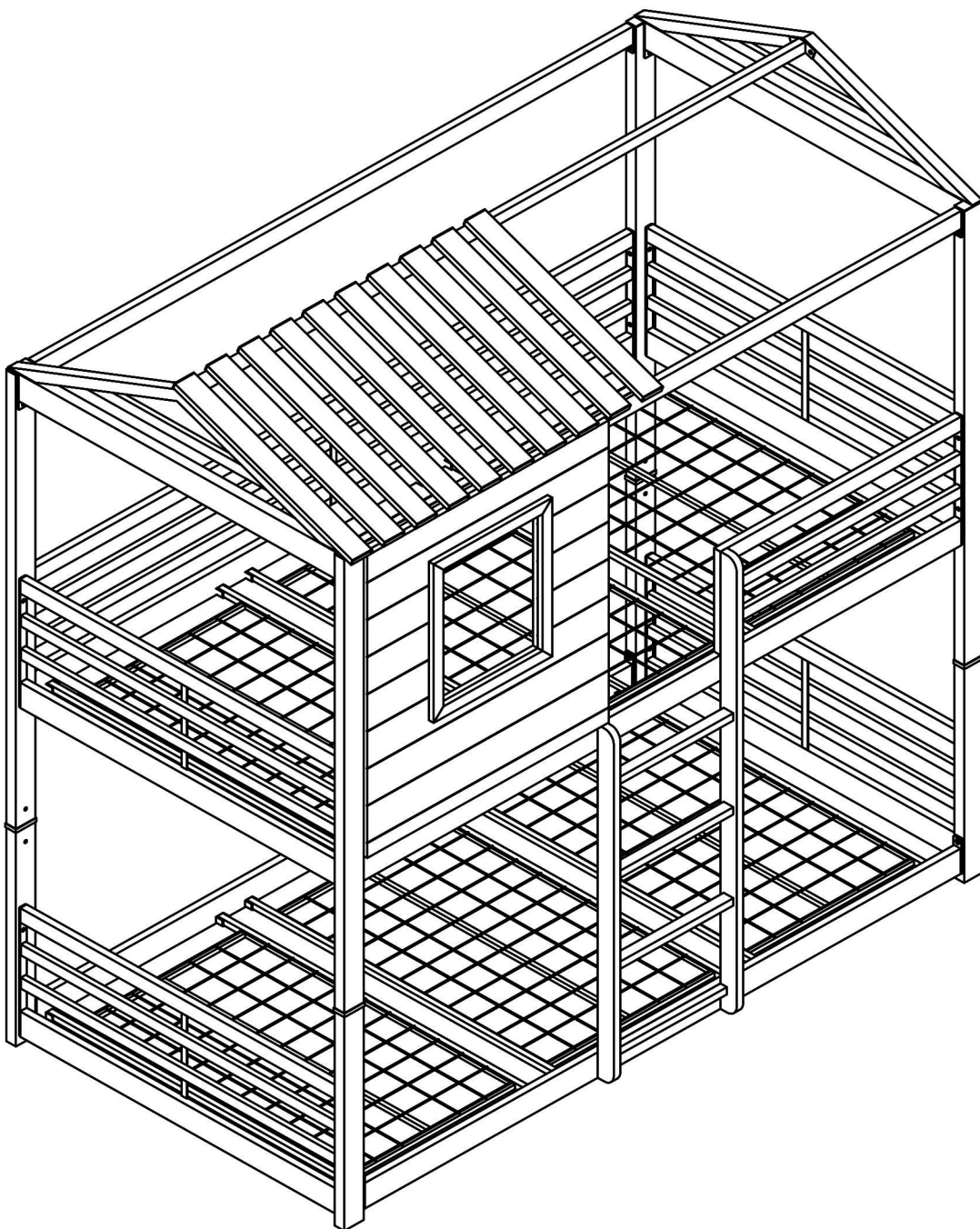
- Part (#17) x1pc
- Hardware (#D) x4pcs
- Hardware (#E) x4pcs
- Hardware (#F) x4pcs
- Hardware (#H) x1pc

Align ladder (#17) to the holes of the bunk bed, then secure by using bolts (#D) with washers (#E,F).



15

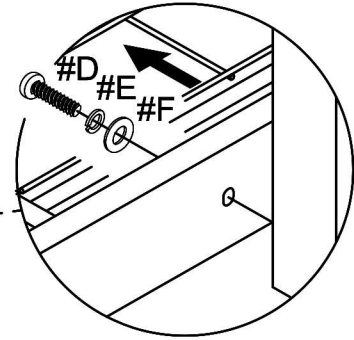
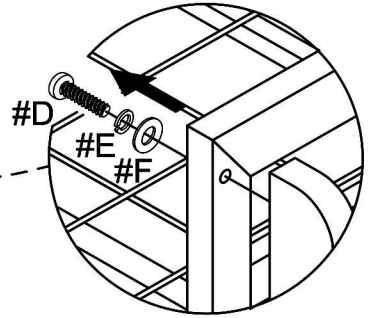
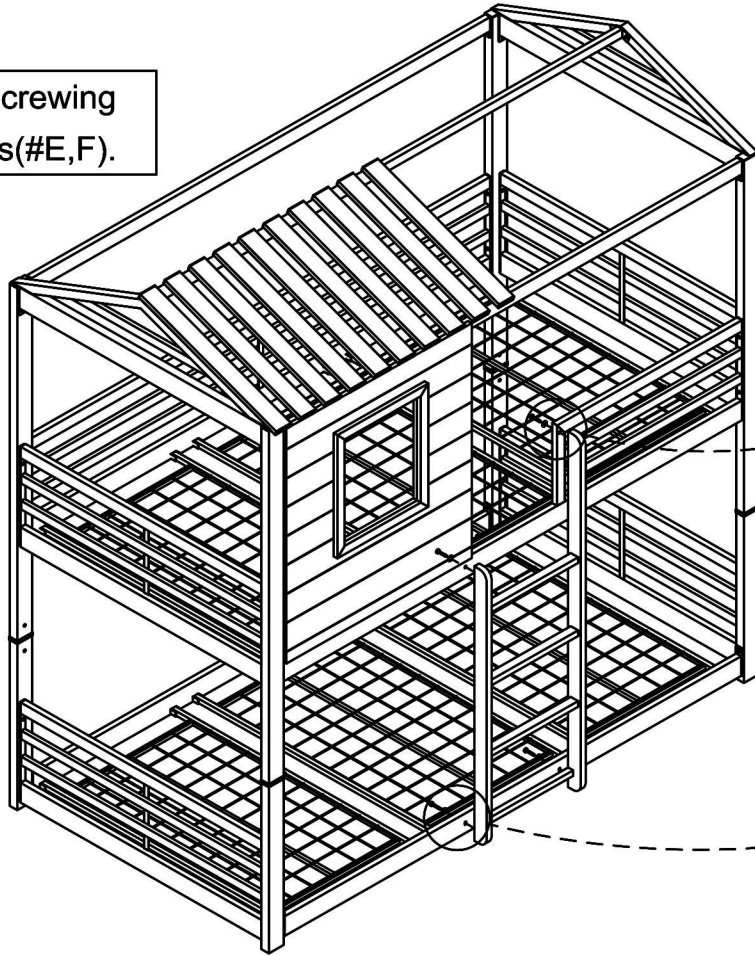
This bunk bed can be split into single beds, please refer step 16 to step 21.



ASSEMBLY INSTRUCTIONS

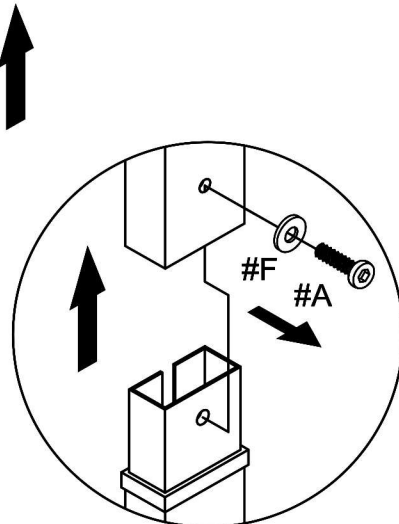
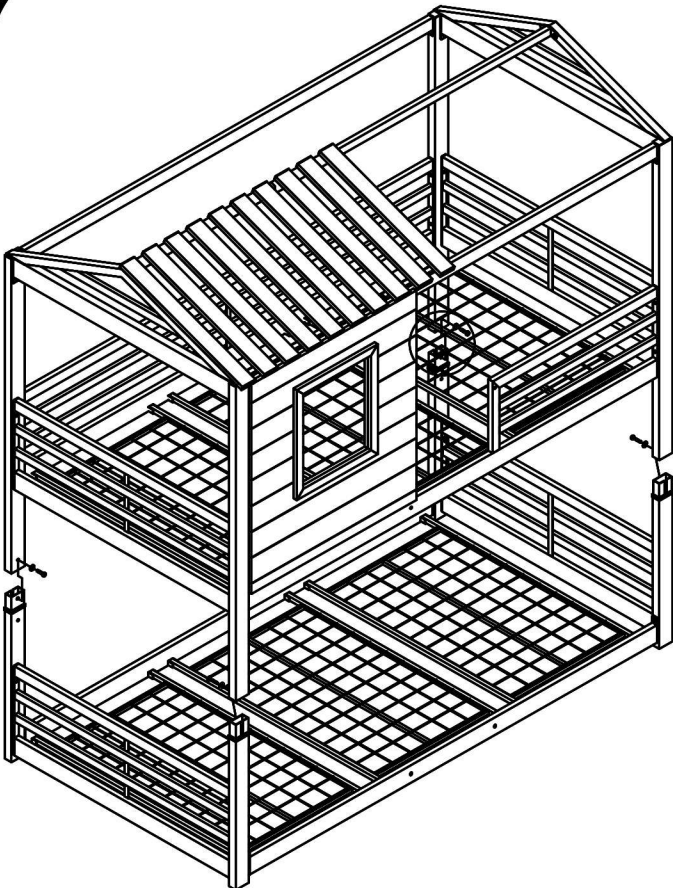
16

Remove ladder by unscrewing bolts (#D) with washers(#E,F).



17

Unscrew bolts (#A) with washers (#F) from the upper bunk connect bar, then remove the upper bunk from the lower bunk.

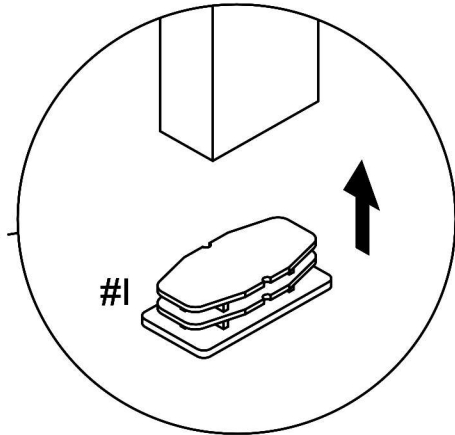
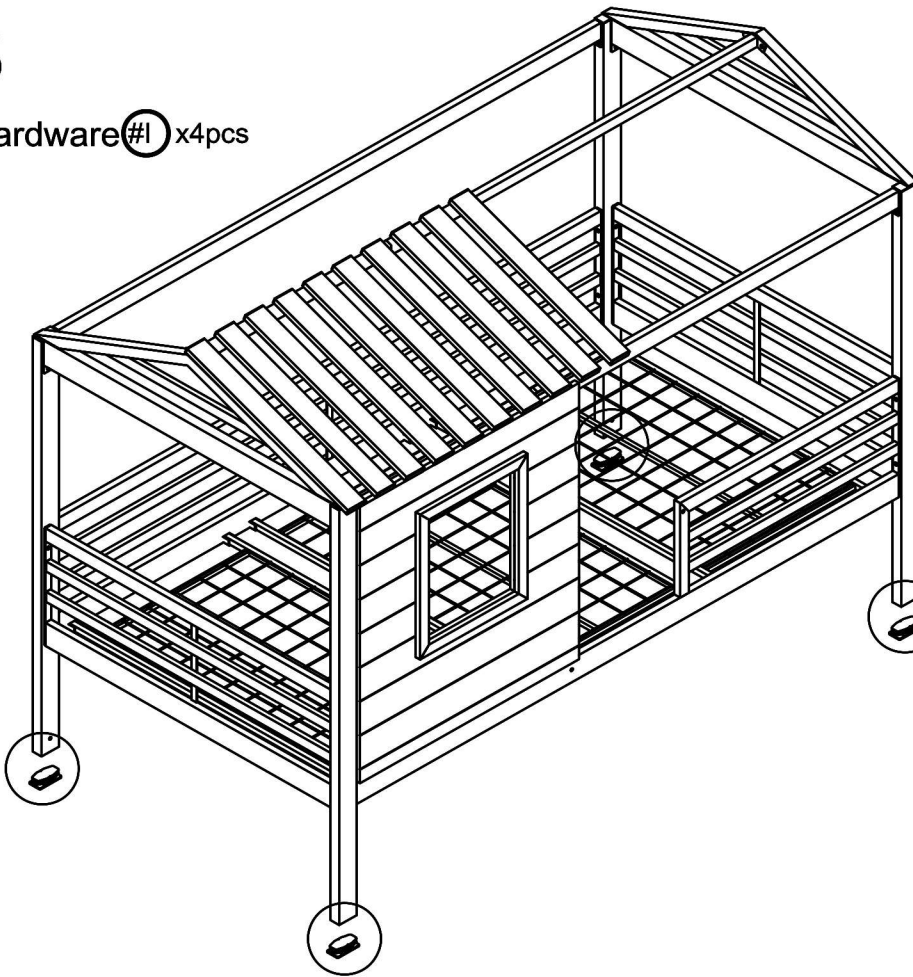


ASSEMBLY INSTRUCTIONS

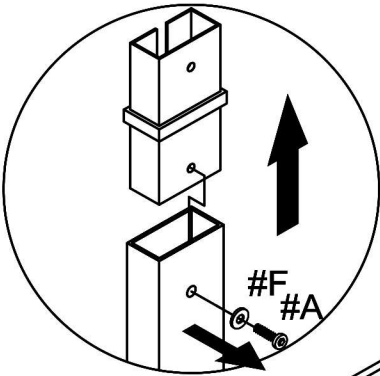
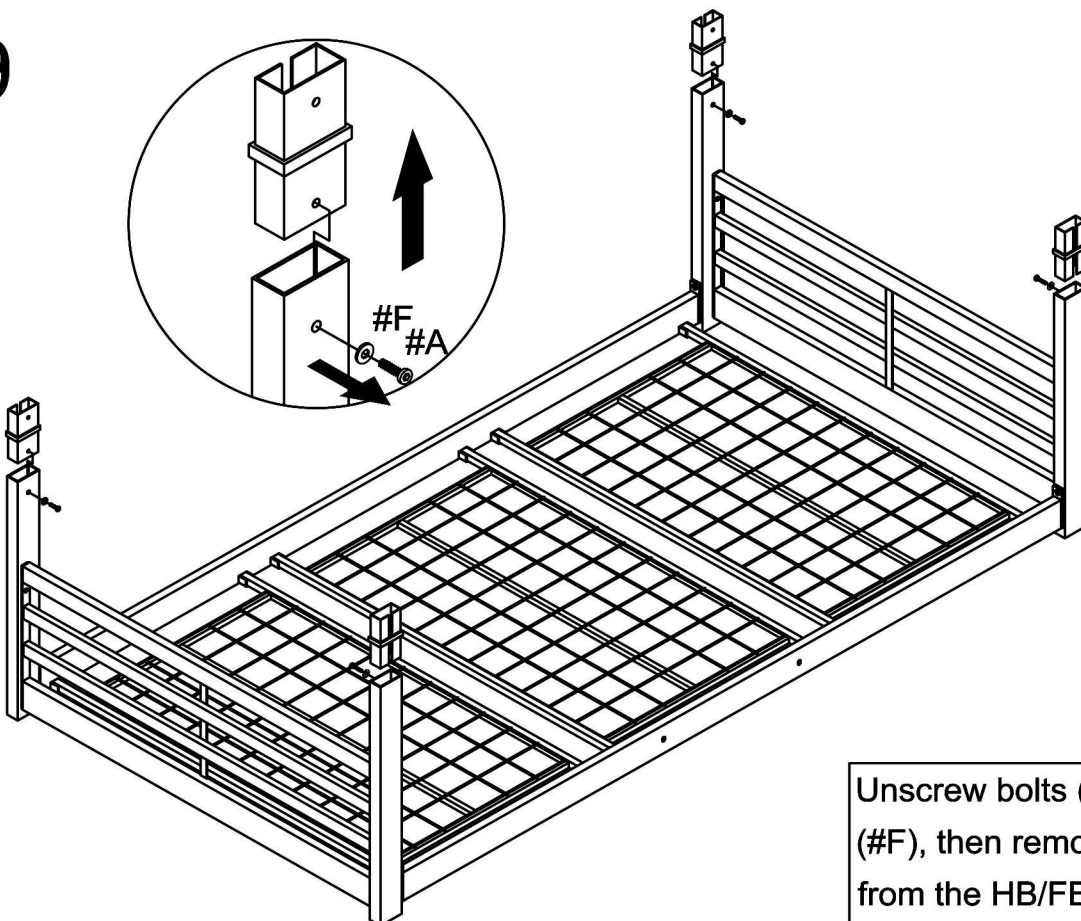
18

Hardware (#I) x4pcs

Attach caps (#I) to the bottom of the HB/FB.



19



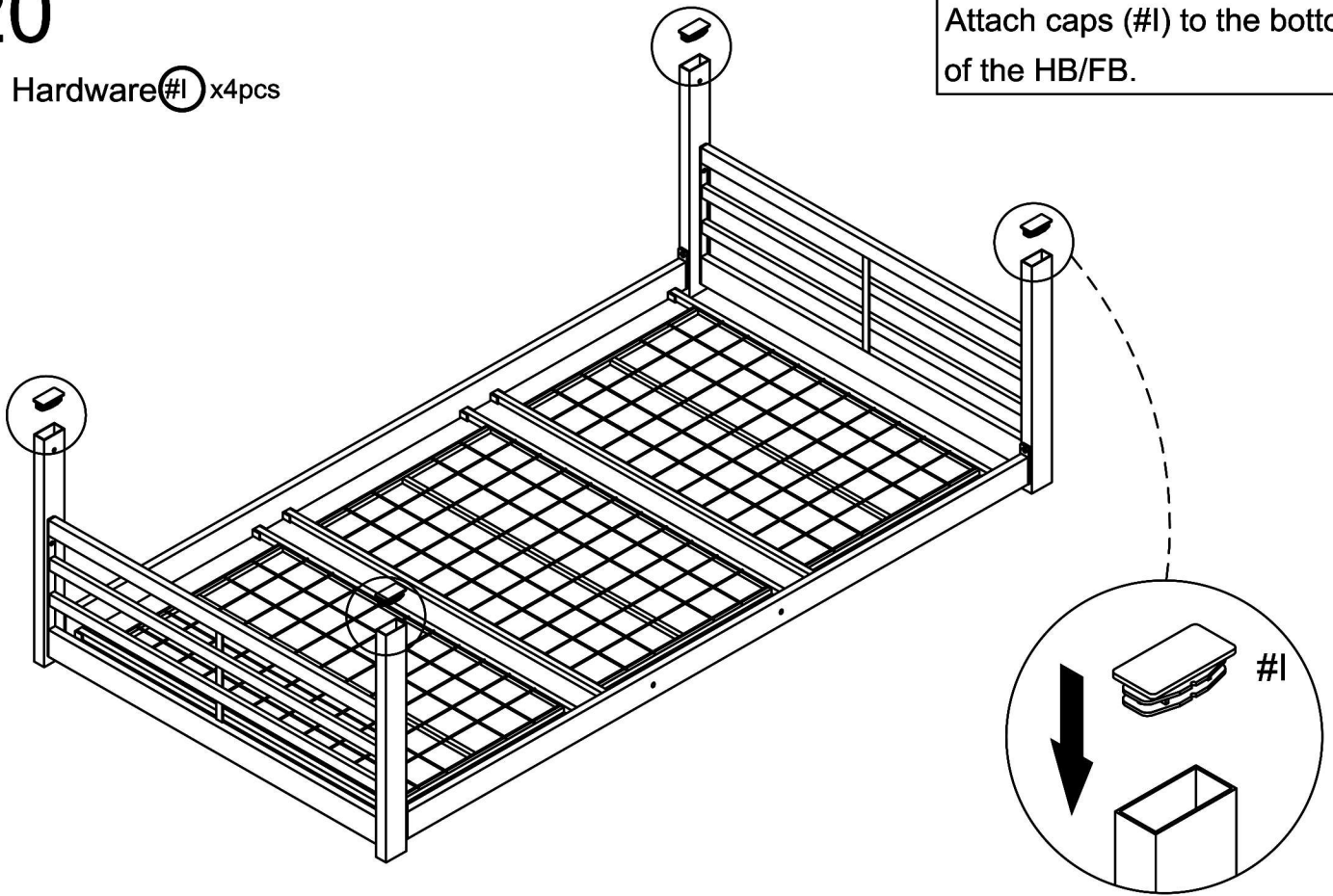
Unscrew bolts (#A) with washers (#F), then remove the bar connect from the HB/FB.

ASSEMBLY INSTRUCTIONS

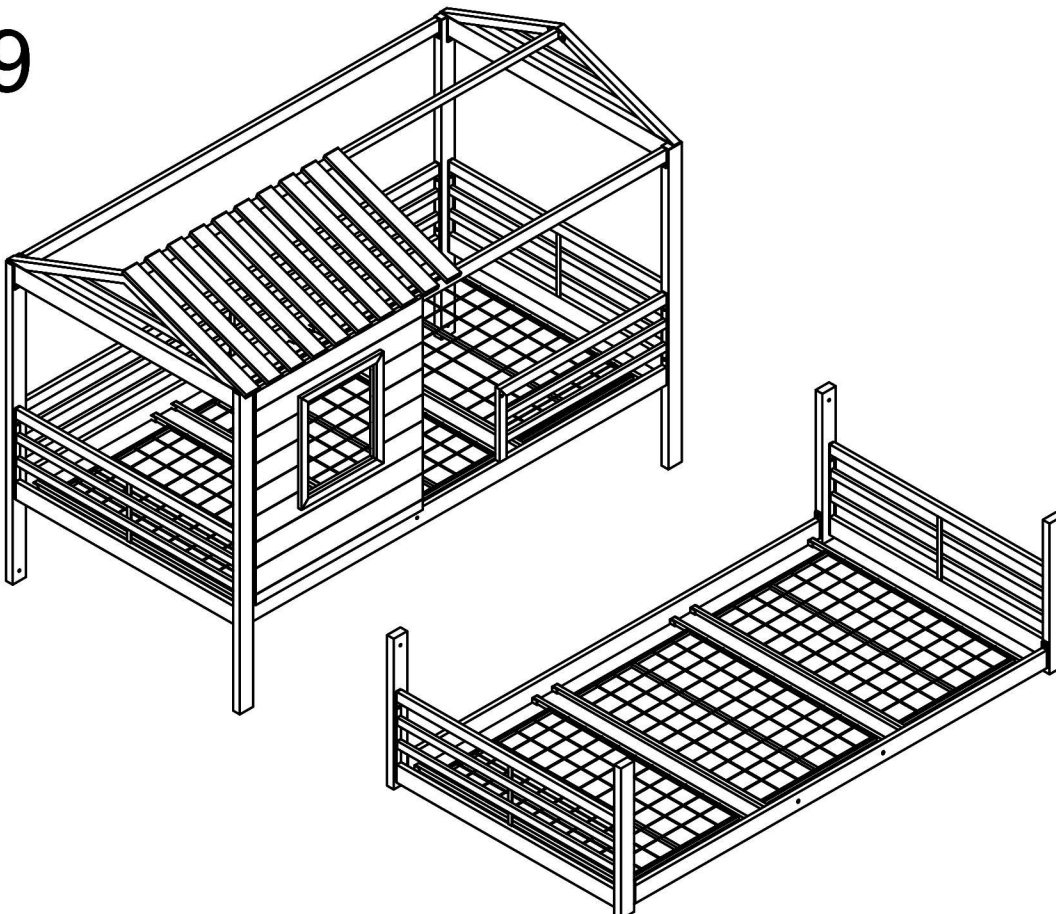
20

Hardware (#1) x4pcs

Attach caps (#1) to the bottom of the HB/FB.



19



ASSEMBLY COMPLETED



Please ensure the furniture rests on an even and flat surface. If the product wobbles or feels loose, double-check all bolts and/or screws are properly tightened and secured.

✓ Keep this handy!

Please retain this instruction manual and any order-related information for future reference.

✓ Lift, don't drag!

To avoid damage to product please always LIFT the product when transporting or adjusting the placement.

Safety Warnings

1. Follow the information on the warnings appearing on the upper bunk end structure and on the carton. Do not remove warning label from bed.
2. Always use the recommended size mattresses or mattress supports, or both, to help prevent the likelihood of entrapment or falls.
3. Surface of mattress must be at least 5 in. (127mm) below the upper edge of guardrails .
4. Do not allow children under 6 years of age to use the upper bunk.
5. Periodically check and ensure that the guardrail, ladder, and other components are in their proper position, free from damage, and that all connectors are tight .
6. Do not allow horseplay on or under the bed and prohibit jumping on the bed.
7. Always use the ladder for entering and leaving the upper bunk.
8. Do not use substitute parts , Contact the manufacturer or dealer for replacement parts.
9. Use of a night light may provide added safety precaution for a child using the upper bunk.
10. Always use guardrails on both long sides of the upper bunk. If the bunk bed will be placed next to the wall, the guardrail that runs the full length of the bed should be placed against the wall to prevent entrapment between the bed and wall.
11. The use of water or sleep flotation mattress is prohibited .
12. Keep these instructions for future reference.
13. Use only mattress which is (74"-75")X(37 $\frac{1}{2}$ "-38 $\frac{1}{2}$ ")X6" on upper bunk and for bottom bunk required (74"-75")X(37 $\frac{1}{2}$ "- 38 $\frac{1}{2}$ ")X8" mattress.
14. Prohibit more than one person on upper bunk.
15. Maximum total weight is not to exceed 200 lbs. on the upper bunk.

STRANGULATION HAZARD:

Never attach or hang items to any part of the bunk bed that are not designed for use with the bed, for example, but not limited to, hooks, belts, and jumprobes.