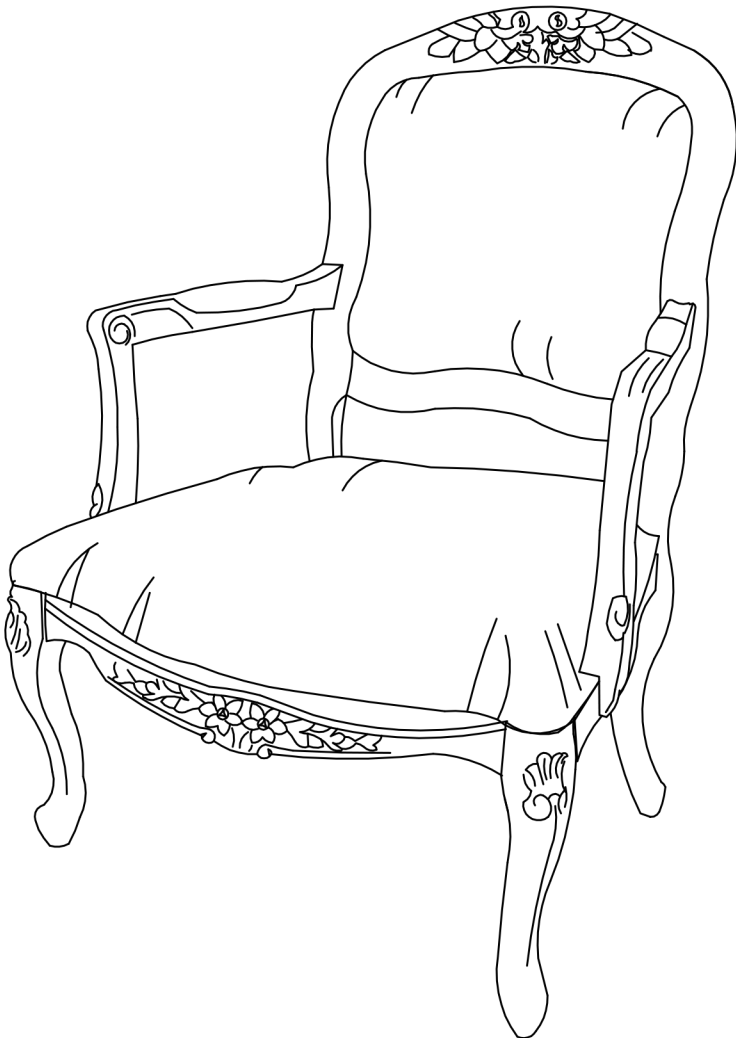


ASSEMBLY INSTRUCTIONS



TOOLS REQUIRED



Allen Wrench

(Included)



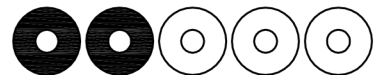
Phillips
Screwdriver

(Not Included)



2 - People
Recommended

ASSEMBLY RATING



EASY —————> DIFFICULT

The Assembly Rating is a 5-point system showing the level of effort needed to assemble a specific product.



CHECK BEFORE STARTING

Are you missing anything?

Double-check all parts, hardware and accessories listed on Page 6 are accounted for.

Check out our Quick Tips!

We recommend reviewing the pre-assembly handouts. Even experts need a refresher now and then!

Should we send any replacements?

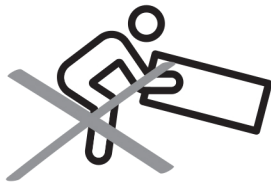
Are there any irregularities or flaws in the parts? We can send replacements!

Prep Time!

Please review the assembly instructions and all diagrams prior to assembling. Arrange parts as recommended on Page 7 and group identical hardware together to make assembling easier.

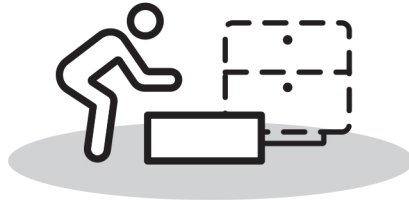
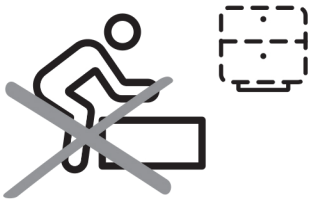
PRE ASSEMBLY INTRODUCTION

We understand building ready-to-assemble furniture can be a challenging experience for some. To help avoid confusion, we have provided some helpful tips that may speed up the process.



Teamwork

ALWAYS have at least two people to help with transporting and assembling the product to avoid potential injury and/or damage.



Suitable Location

Assembling near the area of the intended location is highly recommended.



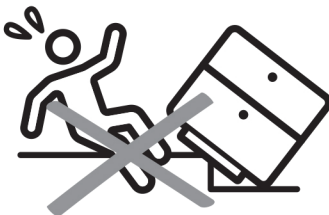
Sufficient Space

Make sure you have enough space to move around during the assembly.



Avoid Scratches

Use cardboard, blankets or a carpeted area while assembling furniture to prevent scratches.



Flat Surface

Make sure the furniture rests on a flat and level surface with each leg evenly touching the floor.

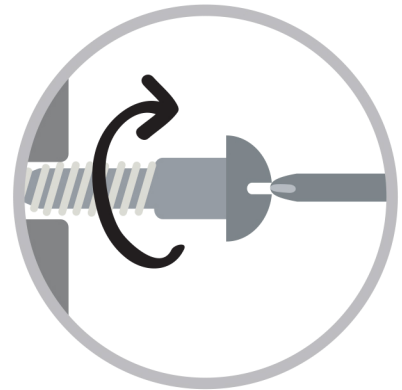
ASSEMBLY AND CARE ADVICE



FAILURE TO FOLLOW THE GUIDELINES BELOW MAY RESULT IN INJURY AND/OR PROPERTY DAMAGE.



Position each part correctly and insert screws or bolts into their respective holes.



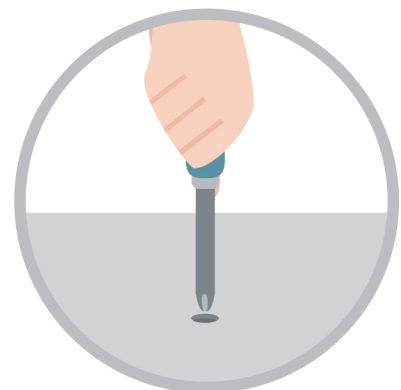
Turn clockwise to tighten and only tighten when step is completed or when instructed to do so.



Use the appropriate hand tools or power tools for assembly. Select steps, such as tightening screws and/or bolts, may require hand tools to avoid causing damage during assembly.



Save the instructions and store any supplied tools for later maintenance.



After two weeks, check and tighten any loose hardware and repeat again every six months thereafter.

IT IS THE USER'S RESPONSIBILITY TO MAINTAIN THE FURNITURE. THE HARDWARE MAY LOOSEN OVER TIME AND MAY CAUSE THE FURNITURE TO BE WOBBLY AND UNABLE TO SUPPORT ITS INTENDED WEIGHT CAPACITY. THIS MAY LEAD TO COLLAPSE AND MAY CAUSE SERIOUS INJURY.

ARM CHAIR

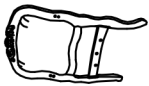


- Please keep instructions for future reference.
- Check the quantity and irregularity of parts and hardware before you start.



PARTS

#1 1pc



Backrest w/Legs

#2 1pc



Seat Frame

#3 1pc



Seat Cushion

#4 1pc



Right Arm

#5 1pc



Left Arm

#6 2pcs



Front Leg

HARDWARE

#A 10pcs



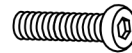
Bolt $\text{\O}1/4"$ x 2-1/4"

#B 3pcs



Bolt $\text{\O}1/4"$ x 1-3/4"

#C 2pcs



Bolt $\text{\O}1/4"$ x 1-1/2"

#D 15pcs



Flat Washer $\text{\O}1/4"$

#E 15pcs



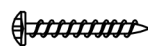
Lock Washer $\text{\O}1/4"$

#F 1pc



Allen Wrench 4mm

#G 4pcs



Wood Screw #7 x 3/4"

#H 2pcs



Cap 20mm

ASSEMBLY INSTRUCTIONS

1

Part #1 x1pc

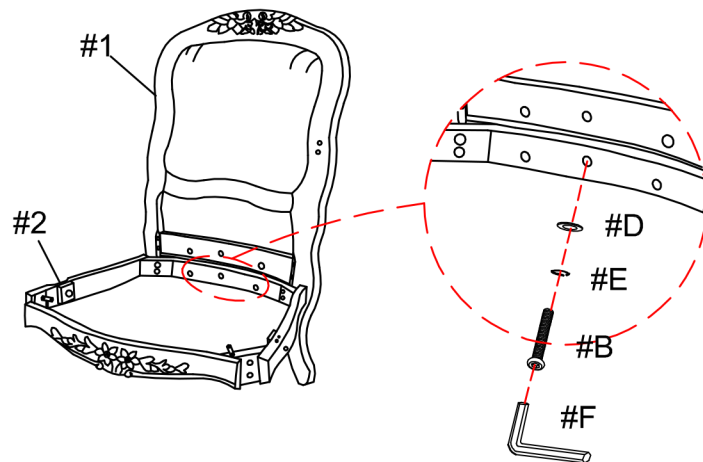
Part #2 x1pc

Hardware #B x3pcs

Hardware #D x3pcs

Hardware #E x3pcs

Align seat frame (#2) to the chair back (#1), then secure by using bolts (#B) with washers (#E,D).



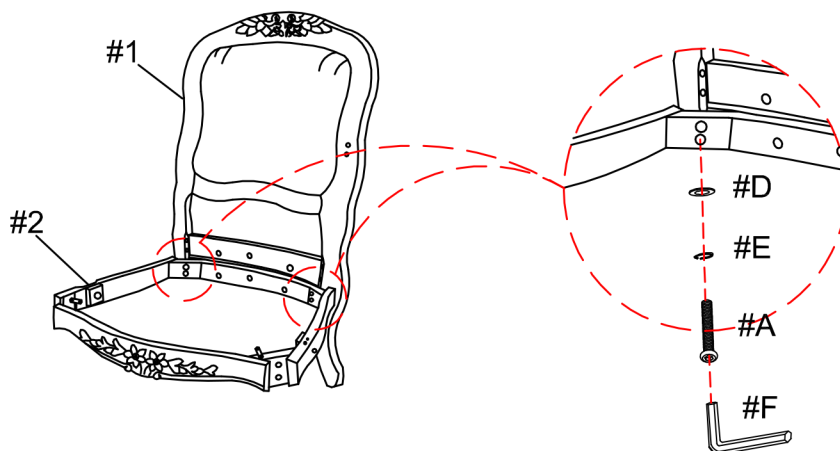
2

Hardware #A x4pcs

Hardware #D x4pcs

Hardware #E x4pcs

Secure corner holes of the seat frame (#2) to chair back (#1) by using bolts (#A) with washers (#E,D).



ASSEMBLY INSTRUCTIONS

3

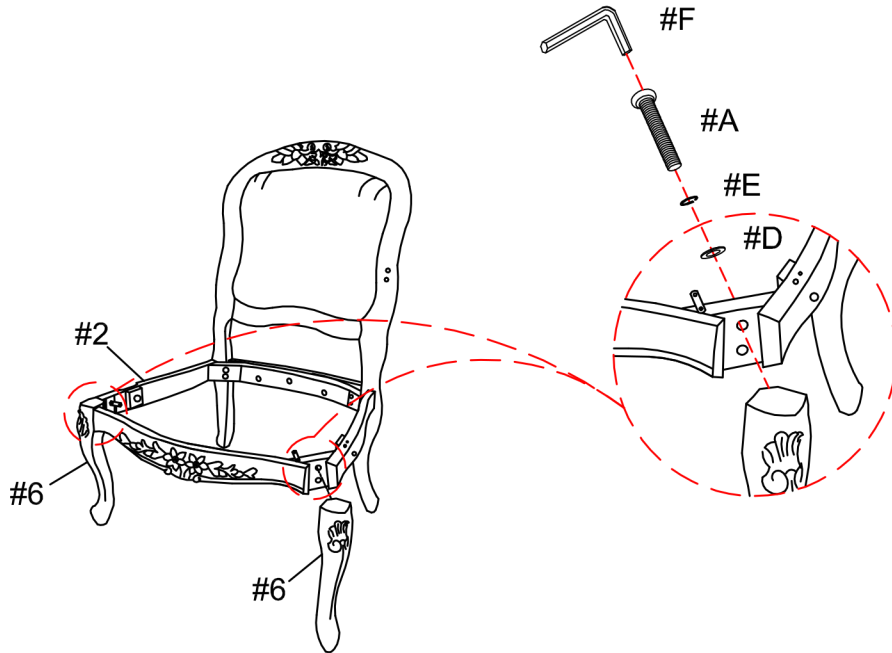
Part #6 x2pcs

Hardware #A x4pcs

Hardware #D x4pcs

Hardware #E x4pcs

Align front legs (#6) to the seat frame (#2), then secure by using bolts (#A) with washers (#E,D).



4

Part #5 x1pc

Hardware #A x1pc

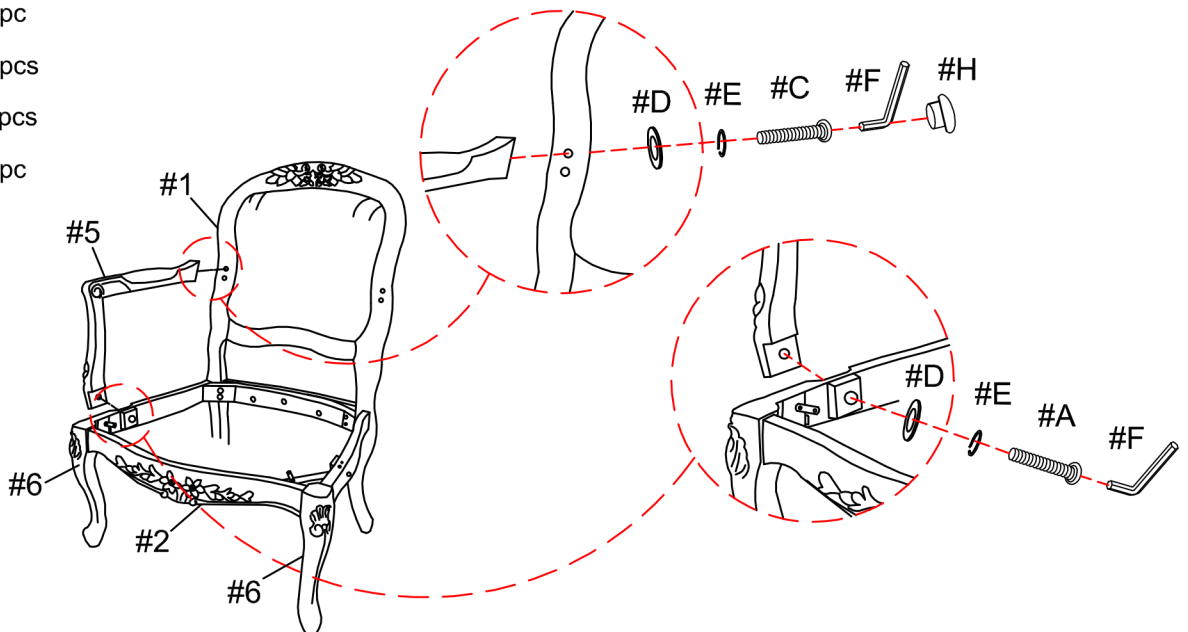
Hardware #C x1pc

Hardware #D x2pcs

Hardware #E x2pcs

Hardware #H x1pc

Align arm (#5) to chair back (#1) and seat frame (#2). Secure arm (#5) to chair back (#1) by using bolts (#C) with washers (#E,D). Secure arm (#5) to the seat frame (#2) by using bolts (#A) with washers (#E,D).



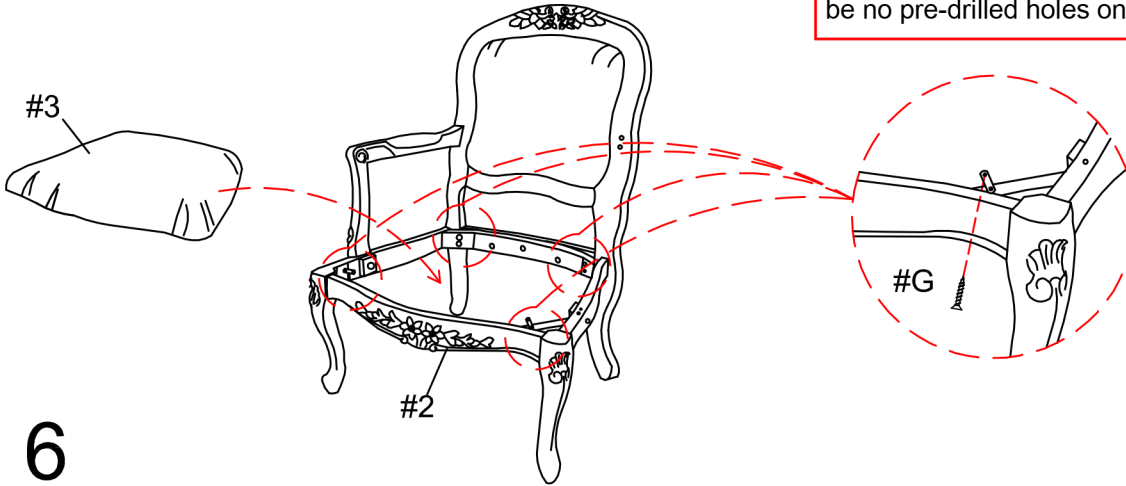
ASSEMBLY INSTRUCTIONS

5

Part #3 x1pc

Hardware #G x4pcs

Align seat (#3) to seat frame (#2), then secure by using screws (#G). There will be no pre-drilled holes on the seat (#3).



6

Part #4 x1pc

Hardware #A x1pc

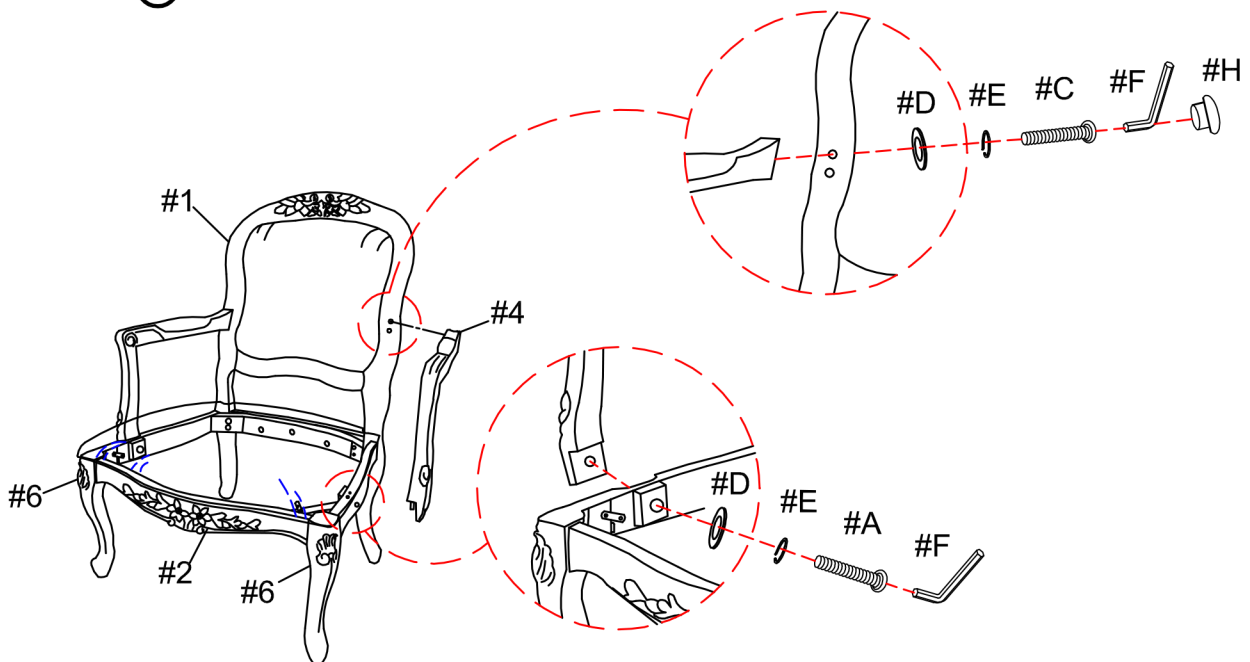
Hardware #C x1pc

Hardware #D x2pcs

Hardware #E x2pcs

Hardware #H x1pc

Align arm (#4) to chair back (#1) and seat frame (#2). Secure arm (#4) to chair back (#1) by using bolts (#C) with washers (#E,D). Secure arm (#4) to the seat frame (#2) by using bolts (#A) with washers (#E,D).



ASSEMBLY INSTRUCTIONS

5



ASSEMBLY COMPLETED



Please ensure the furniture rests on an even and flat surface. If the product wobbles or feels loose, double-check all bolts and/or screws are properly tightened and secured.



Keep this handy!

Please retain this instruction manual and any order-related information for future reference.



Lift, don't drag!

To avoid damage to product please always LIFT the product when transporting or adjusting the placement.