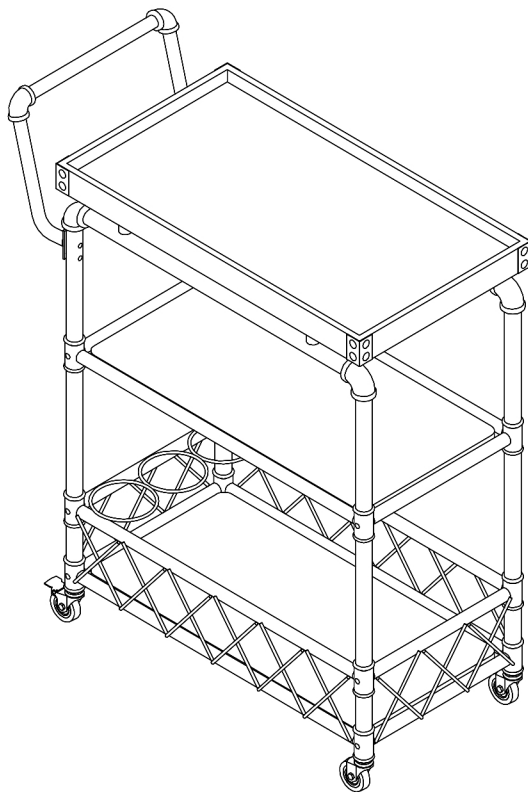


# ASSEMBLY INSTRUCTIONS



## TOOLS REQUIRED



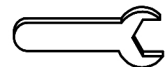
**Allen Wrench**

(Included)



**Phillips Screwdriver**

(Not Included)



**Open End Wrench**

(Included)



**2 - People  
Recommended**

## ASSEMBLY RATING



EASY —————> DIFFICULT

The Assembly Rating is a 5-point system showing the level of effort needed to assemble a specific product.



## **CHECK BEFORE STARTING**

### **Are you missing anything?**

Double-check all parts, hardware and accessories listed are all accounted for.

### **Check out our Quick Tips!**

We recommend reviewing the pre-assembly handouts. Even experts need a refresher now and then!

### **Should we send any replacements?**

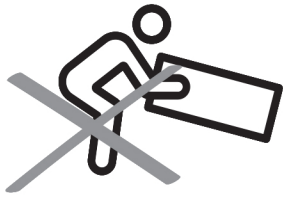
Are there any irregularities or flaws in the parts? We can send replacements!

### **Prep Time!**

Please review the assembly instructions and all diagrams prior to assembling.

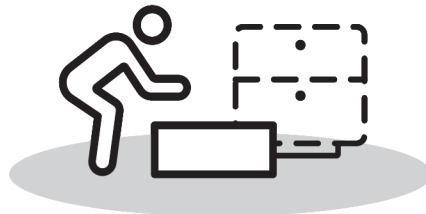
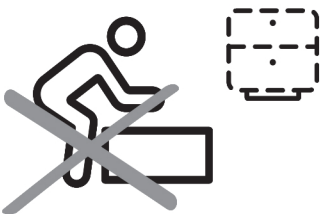
# PRE ASSEMBLY INTRODUCTION

We understand building ready-to-assemble furniture can be a challenging experience for some. To help avoid confusion, we have provided some helpful tips that may speed up the process.



## Teamwork

ALWAYS have at least two people to help with transporting and assembling the product to avoid potential injury and/or damage.



## Suitable Location

Assembling near the area of the intended location is highly recommended.



## Sufficient Space

Make sure you have enough space to move around during the assembly.



## Avoid Scratches

Use cardboard, blankets or a carpeted area while assembling furniture to prevent to prevent scratches and damages.



## Flat Surface

Make sure the furniture rests on a flat and level surface with each leg evenly touching the floor.

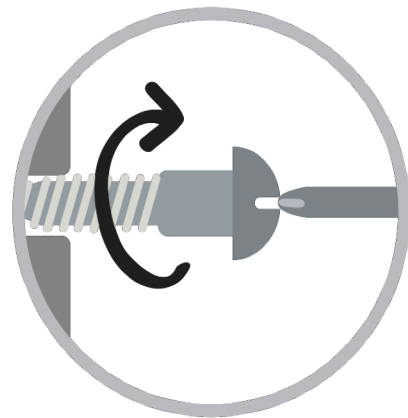
# ASSEMBLY AND CARE ADVICE



**FAILURE TO FOLLOW THE GUIDELINES BELOW MAY RESULT IN INJURY AND/OR PROPERTY DAMAGE.**



Position each part correctly and insert screws or bolts into their respective holes.



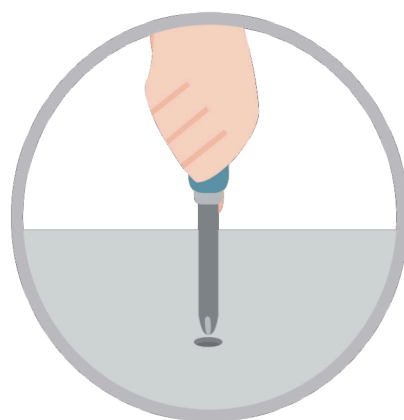
Turn clockwise to tighten and only tighten when step is completed or when instructed to do so.



Use the appropriate hand tools or power tools for assembly. Select steps, such as tightening screws and/or bolts, may require hand tools to avoid causing damage during assembly.



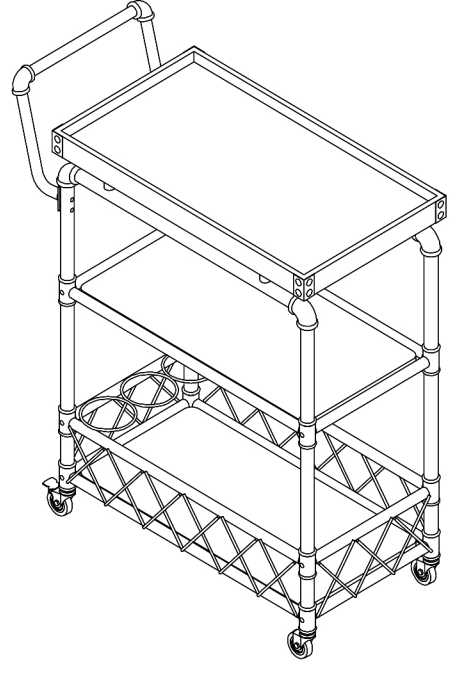
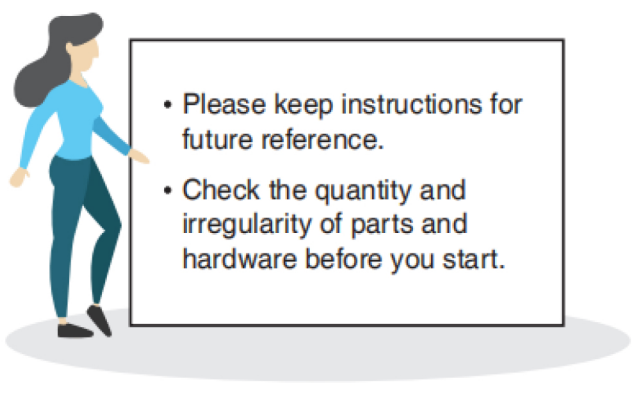
Save the instructions and store any supplied tools for later maintenance.



After two weeks, check and tighten any loose hardware and repeat again every six months thereafter.

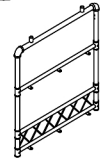
**IT IS THE USER'S RESPONSIBILITY TO MAINTAIN THE FURNITURE. THE HARDWARE MAY LOOSEN OVER TIME AND MAY CAUSE THE FURNITURE TO BE WOBBLY AND UNABLE TO SUPPORT ITS INTENDED WEIGHT CAPACITY. THIS MAY LEAD TO COLLAPSE AND MAY CAUSE SERIOUS INJURY.**

# METAL CART



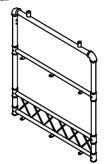
## PARTS

#1 1pc



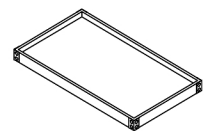
Left Frame

#2 1pc



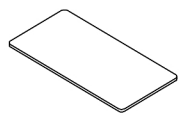
Right Frame

#3 1pc



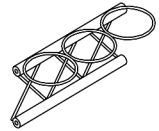
Top Panel

#4 2pcs



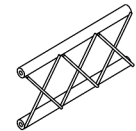
Middle Shelf

#5 1pc



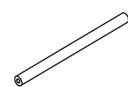
Rear Lower Frame

#6 1pc



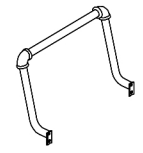
Front Lower Frame

#7 2pcs



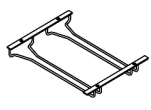
Middle Connect Tube

#8 1pc



Handle

#9 1pc



Cup Rack

#10 2pcs



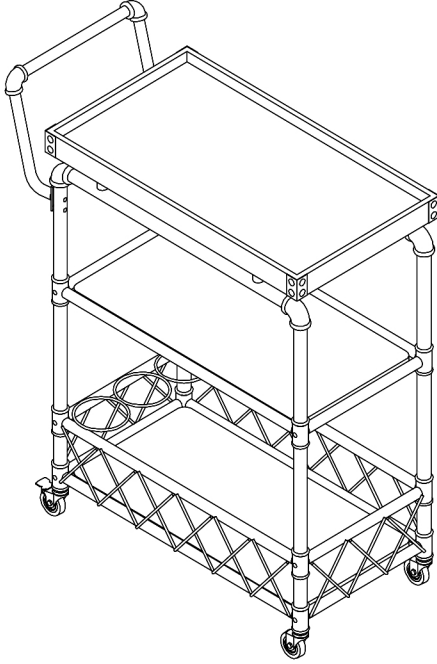
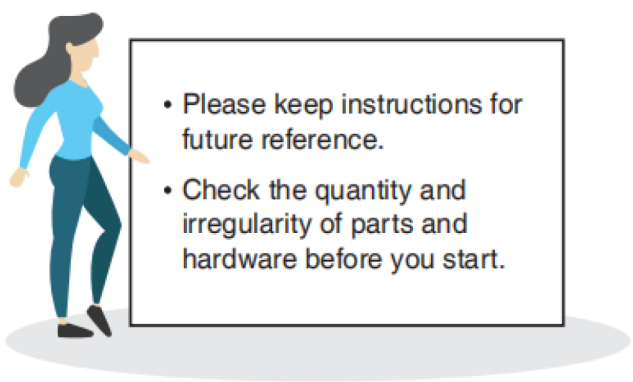
Wheel

#11 2pcs



Wheel With Lock

# METAL CART



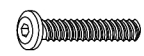
## HARDWARE

#A 6pcs



Bolt 1/4" x 5/8"

#B 2pcs



Bolt 1/4" x 1-3/4"

#C 4pcs



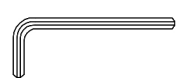
Bolt 1/4" x 2-3/4"

#D 12pcs



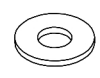
Screw M5 x 10

#E 2pcs



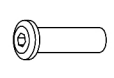
Allen Wrench M4

#F 4pcs



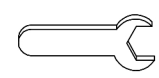
Washer Ø25xØ6x2.0

#G 2pcs



Nut M6 x 22

#H 1pc



Open End Wrench

#I 12pcs

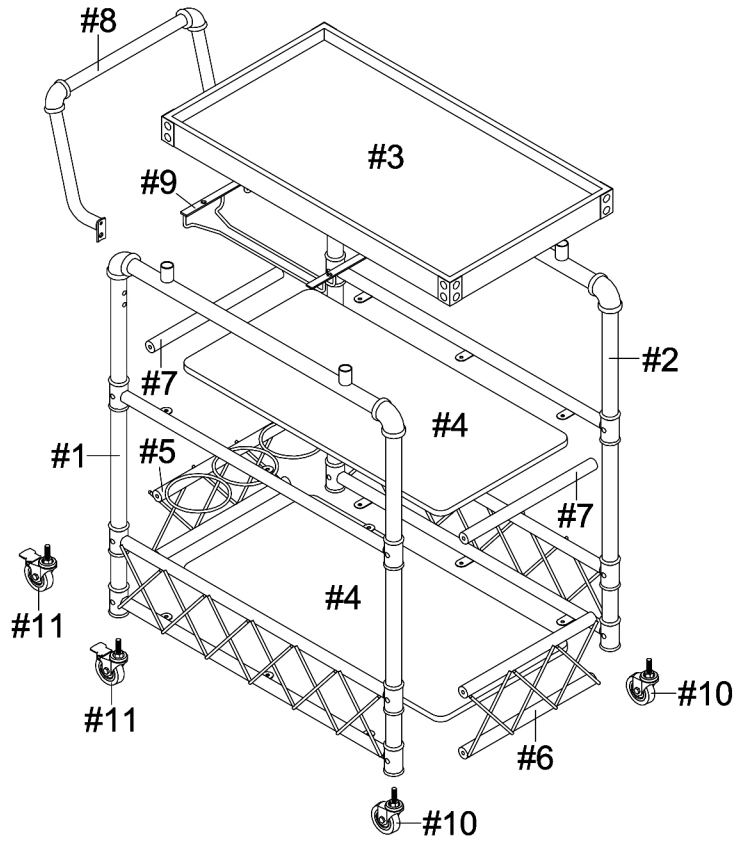


Bolt 1/4" x 2-1/8"

# ASSEMBLY INSTRUCTIONS

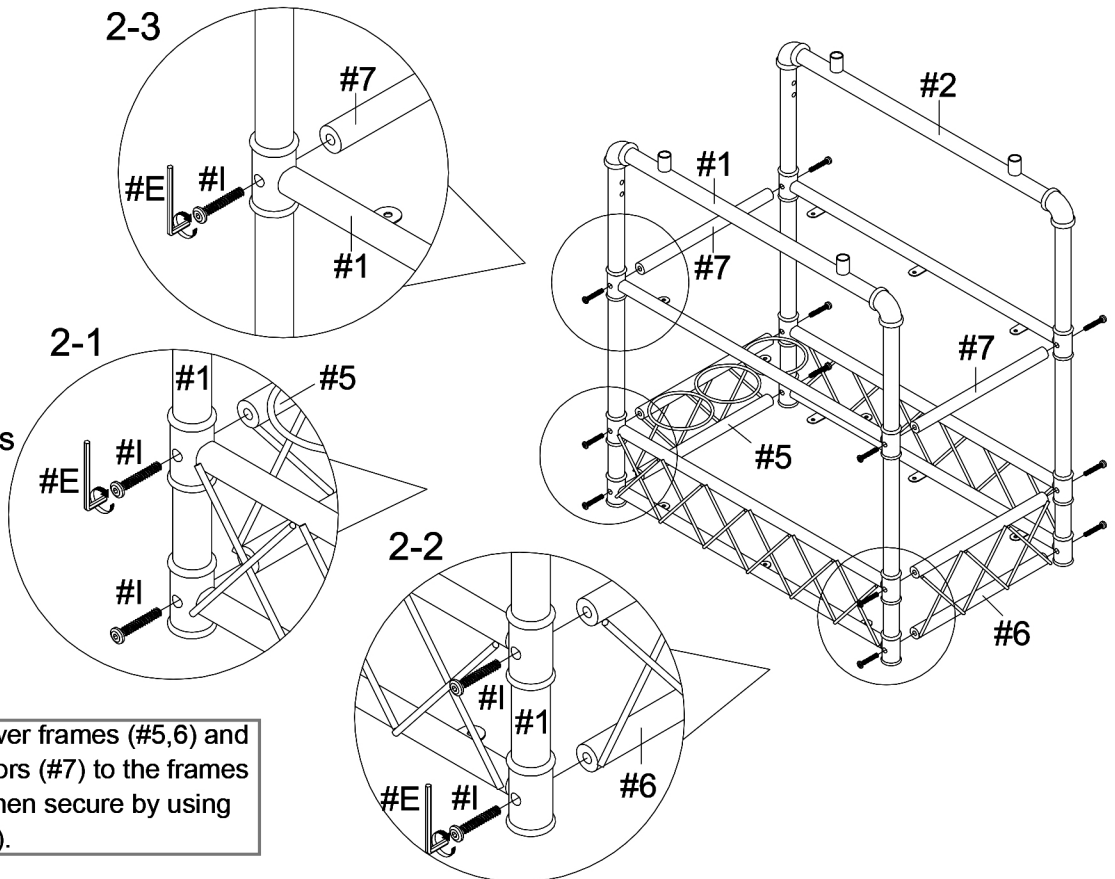
1

## Exploded View



2

- Part (#1) x 1pc
- Part (#2) x 1pc
- Part (#5) x 1pc
- Part (#6) x 1pc
- Part (#7) x 2pcs
- Hardware (#E) x 1pc
- Hardware (#I) x 12pcs

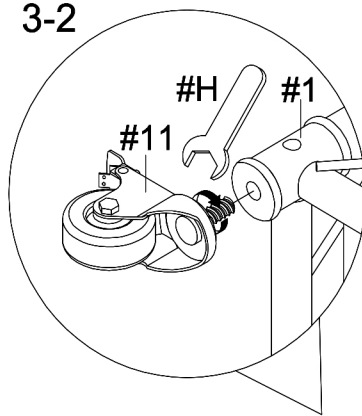


Align lower frames (#5,6) and connectors (#7) to the frames (#1,2), then secure by using bolts (#I).

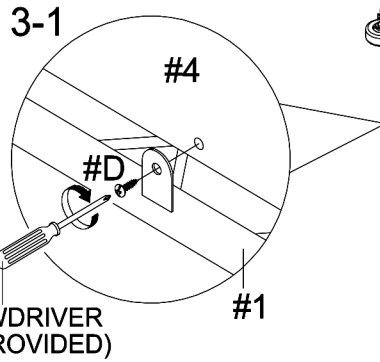
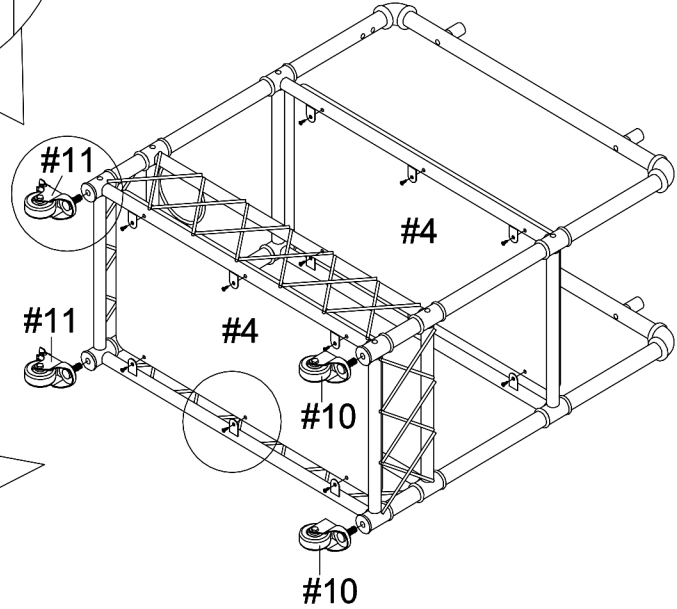
# ASSEMBLY INSTRUCTIONS

## 3

- Part #4 x 2pcs
- Part #10 x 2pcs
- Part #11 x 2pcs
- Hardware #D x 12pcs
- Hardware #H x 1pc



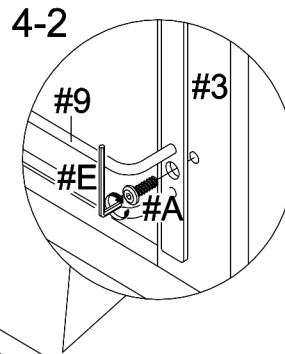
Align middle shelves (#4) to the frame, then secure by using screws (#D). There may not be pre-drilled holes on the shelves (#4). Align wheels (#10,11) to the bottom of the frame, then secure by using wrench (#H).



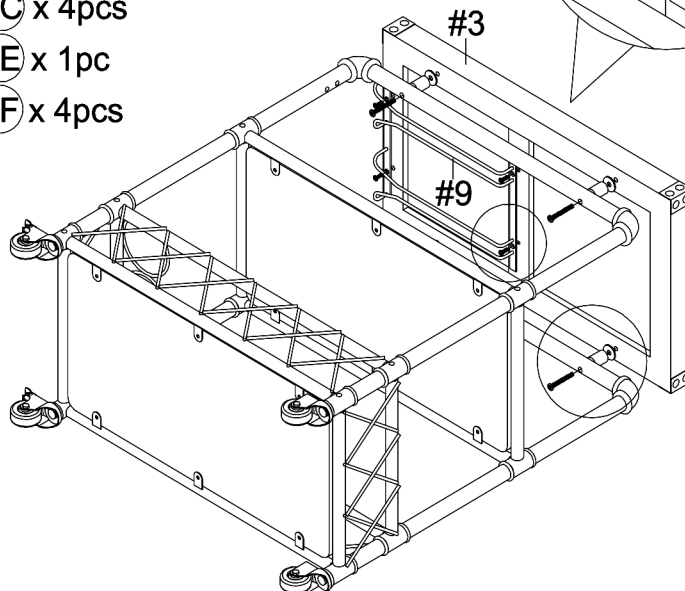
SCREWDRIVER  
(NOT PROVIDED)

## 4

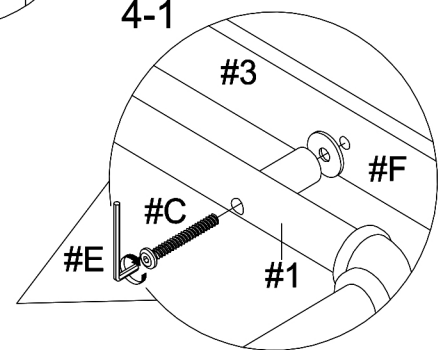
- Part #3 x 1pc
- Part #9 x 1pc
- Hardware #A x 4pcs
- Hardware #C x 4pcs
- Hardware #E x 1pc
- Hardware #F x 4pcs



Align top (#3) to the top of the frame, then secure by using bolts (#C) with washers (#F) in-between the top (#3) and frame. Align cup rack (#9) to the top (#3), then secure by using bolts (#A).



### 4-1

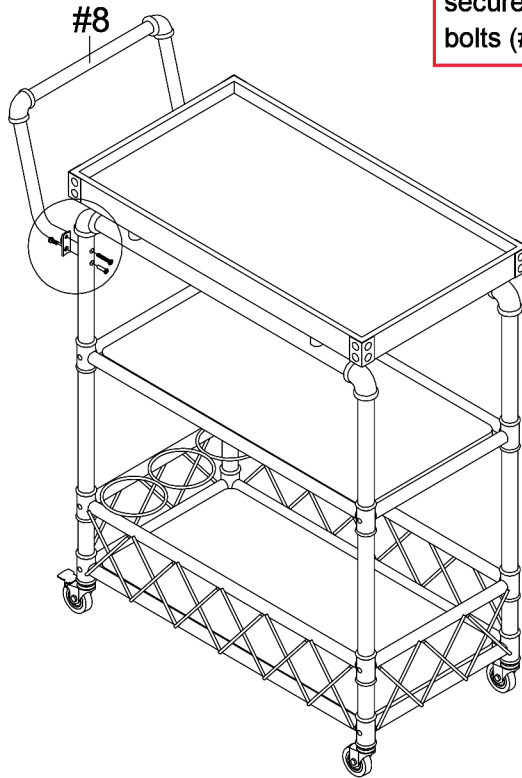




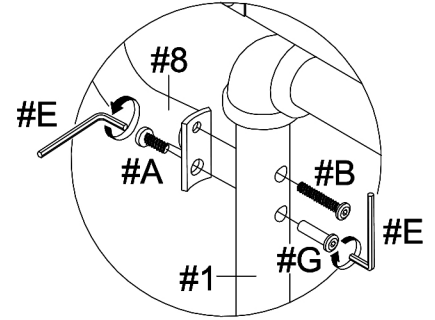
# ASSEMBLY INSTRUCTIONS

## 5

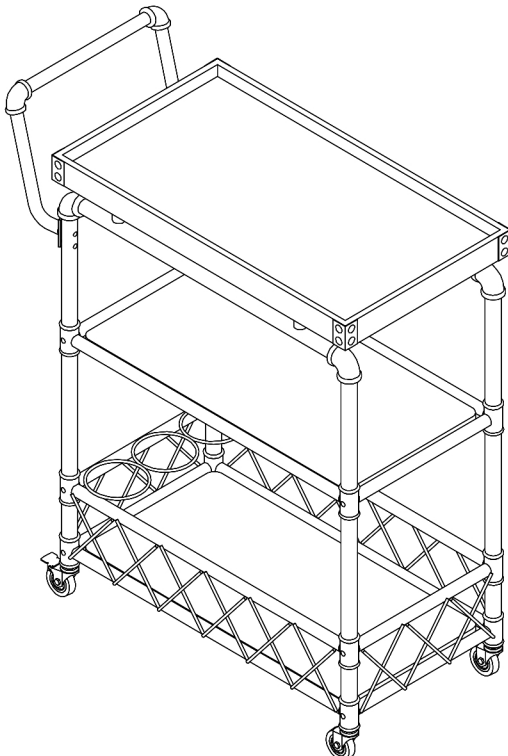
- Part #8 x 1pc
- Hardware #A x 2pcs
- Hardware #B x 2pcs
- Hardware #E x 2pcs
- Hardware #G x 2pcs



Align handle (#8) to the frame, then secure by using bolts (#B) and bolts (#A) onto nuts (#G).



## 6



## ASSEMBLY COMPLETED



Please ensure the furniture rests on an even and flat surface. If the product wobbles or feels loose, double-check all bolts and/or screws are properly tightened and secured.



### Keep this handy!

Please retain this instruction manual and any order-related information for future reference.



### Lift, don't drag!

To avoid damage to product please always LIFT the product when transporting or adjusting the placement.