

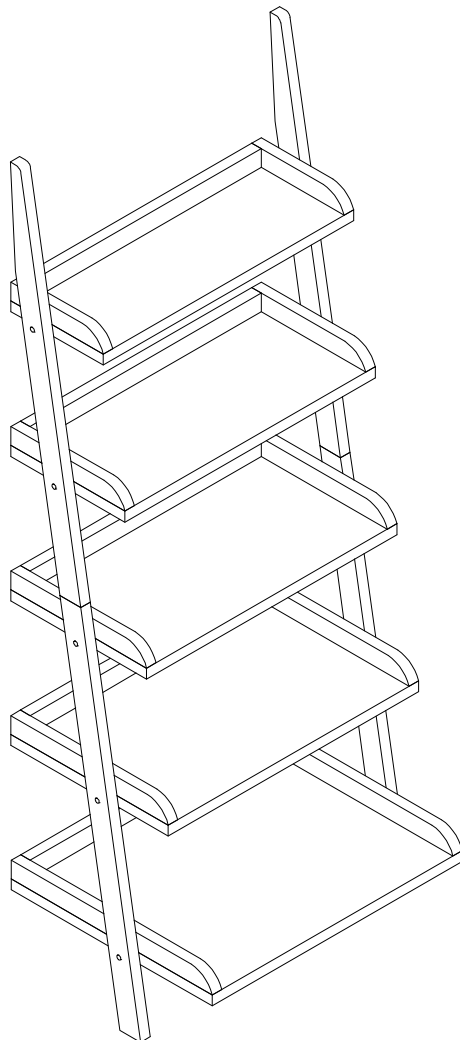
MODEL #

CM-AC6213

Questions?

GIVE US CALL: 1-888-980-5122
MON-FRI 8:30AM - 5:30PM (PST)

ASSEMBLY INSTRUCTIONS



TOOLS REQUIRED



Allen Wrench
(Included)



Phillips
Screwdriver
(Not Included)



2 - People
Recommended

ASSEMBLY RATING



EASY —————> DIFFICULT

The Assembly Rating is a 5-point system showing the level of effort needed to assemble a specific product.



FOA Intro

Thank you for your purchase!


We hope you enjoy this new addition to your home for many years to come.

Our commitment to providing quality products does not simply end when you purchase our product. We fully stand behind our products from start to finish. Our customer service department is available Monday – Friday 8:30 AM – 5:30 PM Pacific and can help with assembly questions as well as, if necessary, replacing damaged or missing parts. To help expedite our service, please have these assembly instructions readily available, along with your order receipt.

 **Consumer Hotline**
Toll-Free 1-888-980-5122

 **WEBSITE**
www.foagroup.com

    foagroup

 **Monday to Friday**
8:30AM- 5:30PM (PST)

 **E-MAIL**
cs.ec@foagroup.com

 FurnitureOfAmerica

CHECK BEFORE STARTING

Are you missing anything?

Double-check all parts, hardware and accessories listed on Page 6 are accounted for.

Should we send any replacements?

Are there any irregularities or flaws in the parts? We can send replacements!

Check out our Quick Tips!

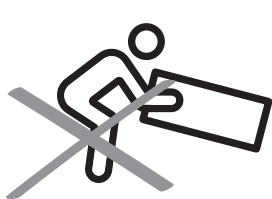
We recommend reviewing the pre-assembly handouts. Even experts need a refresher now and then!

Prep Time!

Please review the assembly instructions and all diagrams prior to assembling. Arrange parts as recommended on Page 7 and group identical hardware together to make assembling easier.

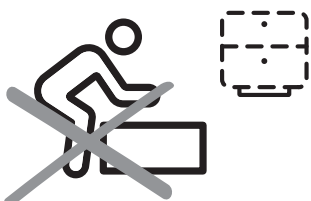
PRE ASSEMBLY INTRODUCTION

We understand building ready-to-assemble furniture can be a challenging experience for some. To help avoid confusion, we have provided some helpful tips that may speed up the process.



Teamwork

ALWAYS have at least two people to help with transporting and assembling the product to avoid potential injury and/or damage.



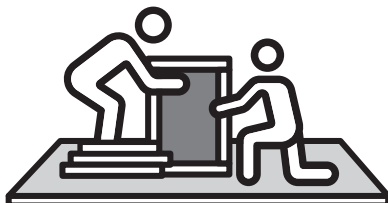
Suitable Location

Assembling near the area of the intended location is highly recommended.



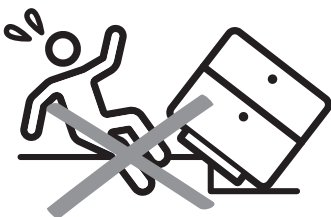
Sufficient Space

Make sure you have enough space to move around during the assembly.



Avoid Scratches

Use cardboard, blankets or a carpeted area while assembling furniture to prevent scratches.



Flat Surface

Make sure the furniture rests on a flat and level surface with each leg evenly touching the floor.

ASSEMBLY AND CARE ADVICE



FAILURE TO FOLLOW THE GUIDELINES BELOW MAY RESULT IN INJURY AND/OR PROPERTY DAMAGE.



Position each part correctly and insert screws or bolts into their respective holes.



Turn clockwise to tighten and only tighten when step is completed or when instructed to do so.



Use the appropriate hand tools or power tools for assembly. Select steps, such as tightening screws and/or bolts, may require hand tools to avoid causing damage during assembly.



Save the instructions and store any supplied tools for later maintenance.



After two weeks, check and tighten any loose hardware and repeat again every six months thereafter.

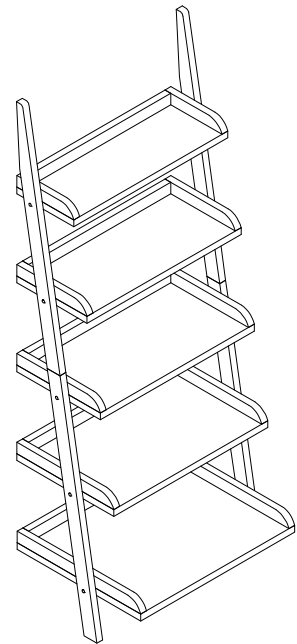
IT IS THE USER'S RESPONSIBILITY TO MAINTAIN THE FURNITURE. THE HARDWARE MAY LOOSEN OVER TIME AND MAY CAUSE THE FURNITURE TO BE WOBBLY AND UNABLE TO SUPPORT ITS INTENDED WEIGHT CAPACITY. THIS MAY LEAD TO COLLAPSE AND MAY CAUSE SERIOUS INJURY.

LADDER SHELF

CM-AC6213

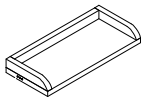


- Please keep instructions for future reference.
- Check the quantity and irregularity of parts and hardware before you start.



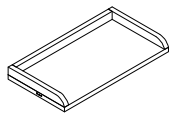
PARTS

#1 1pc



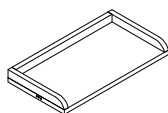
Shelf

#2 1pc



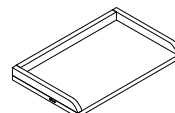
Shelf

#3 1pc



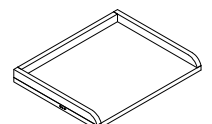
Shelf

#4 1pc



Shelf

#5 1pc



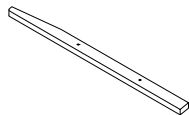
Shelf

#6 1pc



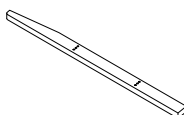
Foot

#7 1pc



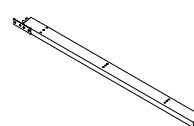
Top-Left Post

#8 1pc



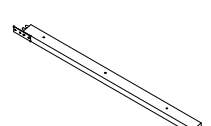
Top Right Post

#9 1pc



Bottom Right Post

#10 1pc



Bottom Left Post

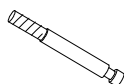
HARDWARE

#A 1pc



Cam Lock
Ø14.5 x 1/2"

#B 1pc



Cam Lock Screw
Ø6 x 1-3/8"

#C 21pcs



Wood Dowel
Ø6 x 1-3/16"

#D 10pcs



Barrel Nut
Ø3/16 x 3/8"

#E 10pcs



Philip Head Screw
Ø3/16 x 1-3/4"

#F 4pcs



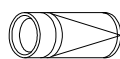
Wood Screw
Ø4 x 5/8"

#G 10pcs



Wood Plug
Ø13 x 3/8"

#H 1pc



Glue

#I 2pcs



Screw Ø3 X 5/8"

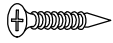
#J 4pcs



Flat Washer
Ø4 X 3/8"

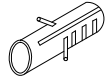
HARDWARE

#K 2pcs



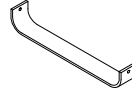
Screw
Ø3.5 X 3/4"

#L 2pcs



Glue Plug

#M 2pcs

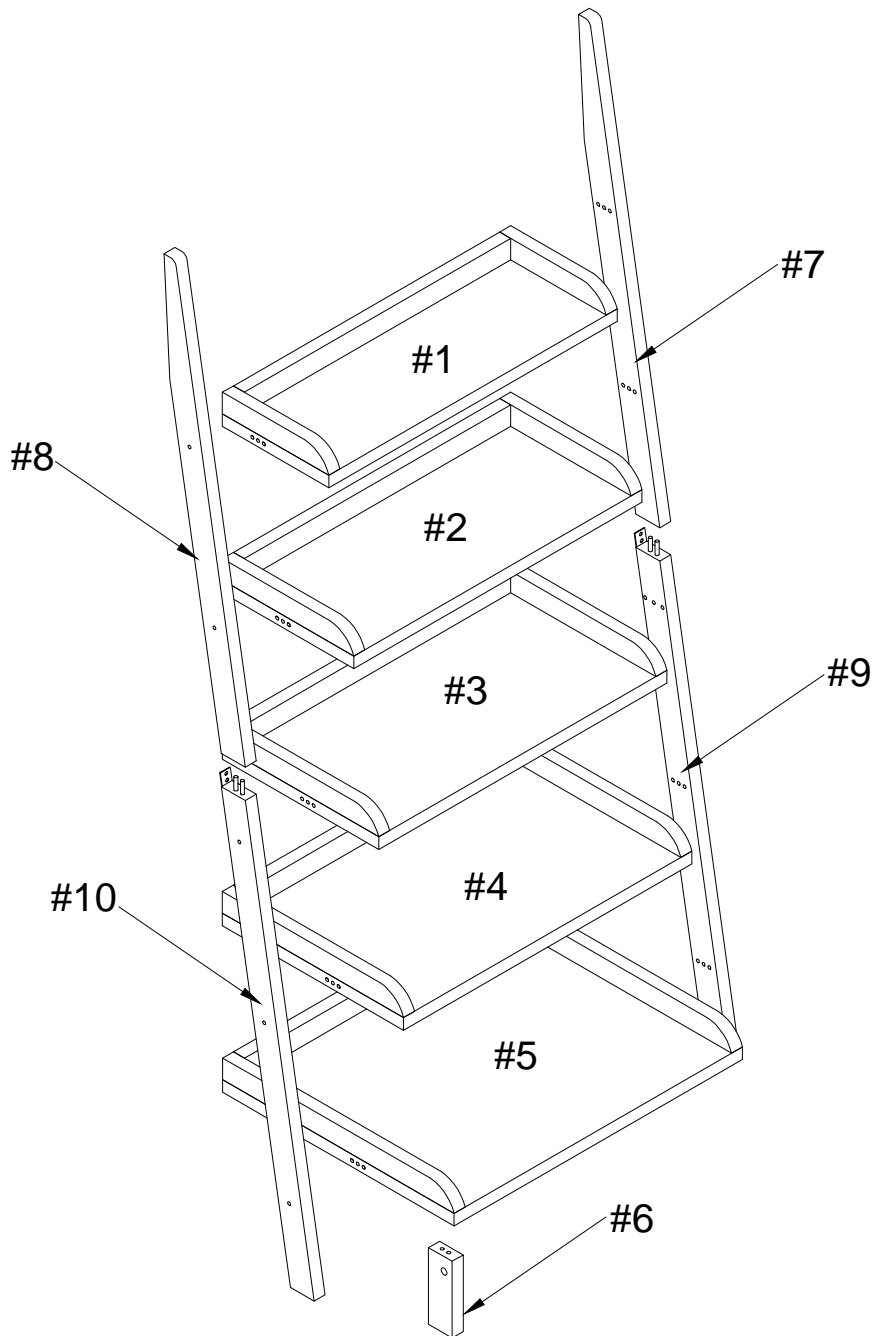


Fabric

#N 1pc



Allen Wrench M4

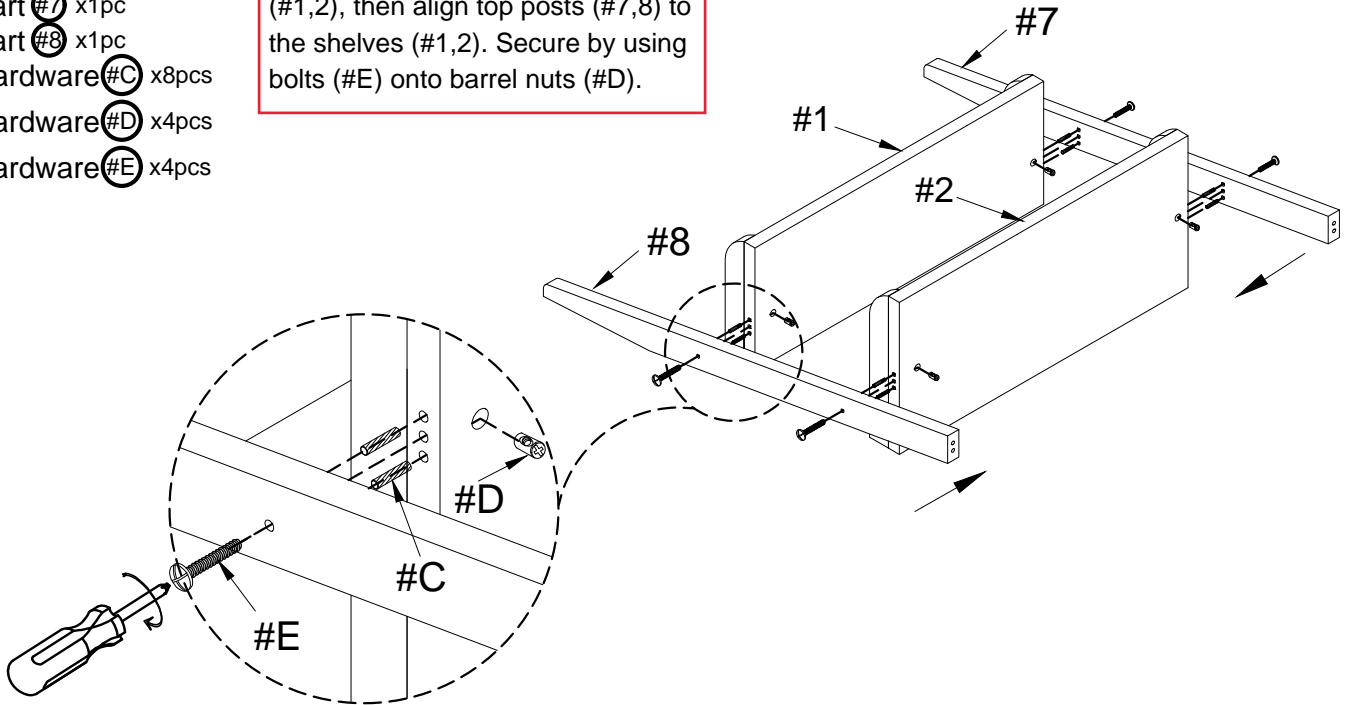


ASSEMBLY INSTRUCTIONS

1

- Part #1 x1pc
- Part #2 x1pc
- Part #7 x1pc
- Part #8 x1pc
- Hardware #C x8pcs
- Hardware #D x4pcs
- Hardware #E x4pcs

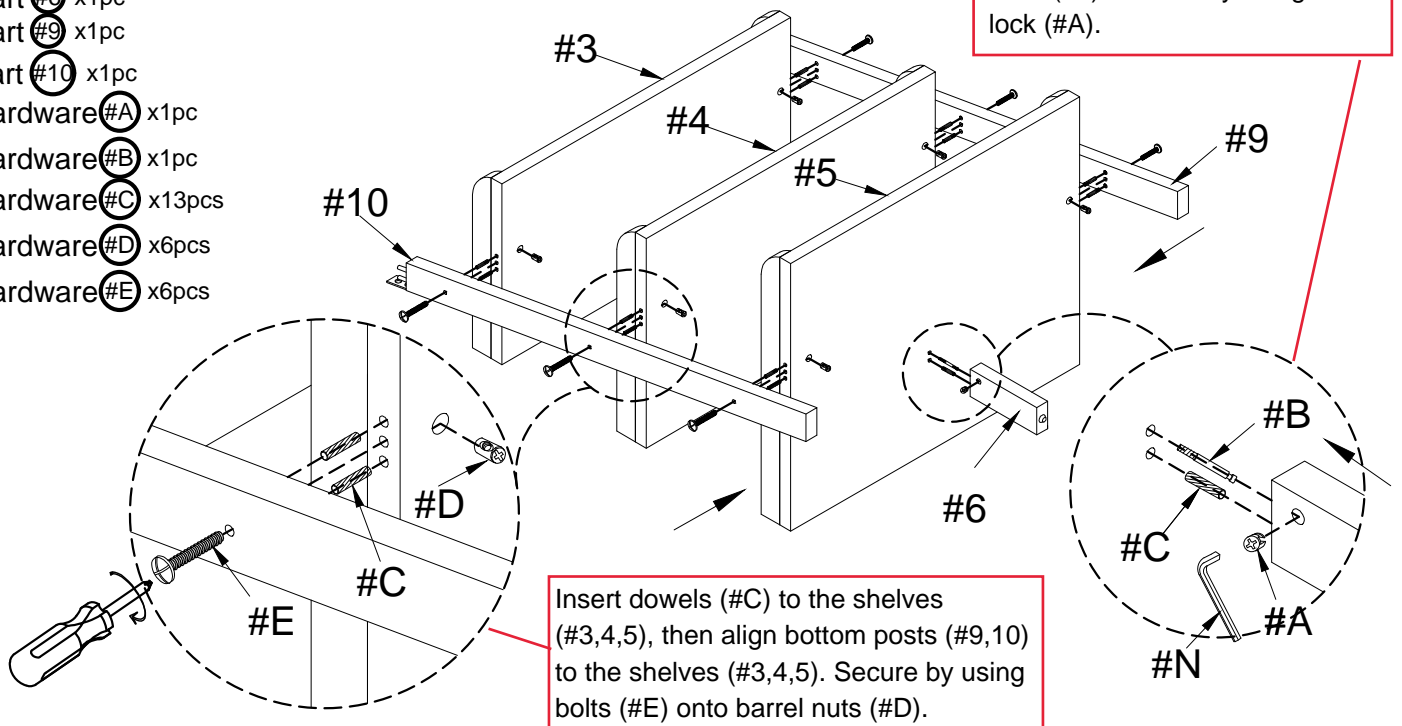
Insert dowels (#C) to the shelves (#1,2), then align top posts (#7,8) to the shelves (#1,2). Secure by using bolts (#E) onto barrel nuts (#D).



2

- Part #3 x1pc
- Part #4 x1pc
- Part #5 x1pc
- Part #6 x1pc
- Part #9 x1pc
- Part #10 x1pc
- Hardware #A x1pc
- Hardware #B x1pc
- Hardware #C x13pcs
- Hardware #D x6pcs
- Hardware #E x6pcs

Secure dowel (#C) and cam bolt (#B) onto bottom of shelf (#5), then align support leg (#6) to the shelf (#5). Secure by using cam lock (#A).

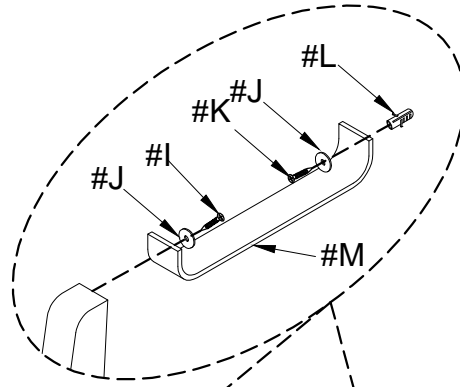


Insert dowels (#C) to the shelves (#3,4,5), then align bottom posts (#9,10) to the shelves (#3,4,5). Secure by using bolts (#E) onto barrel nuts (#D).

ASSEMBLY INSTRUCTIONS

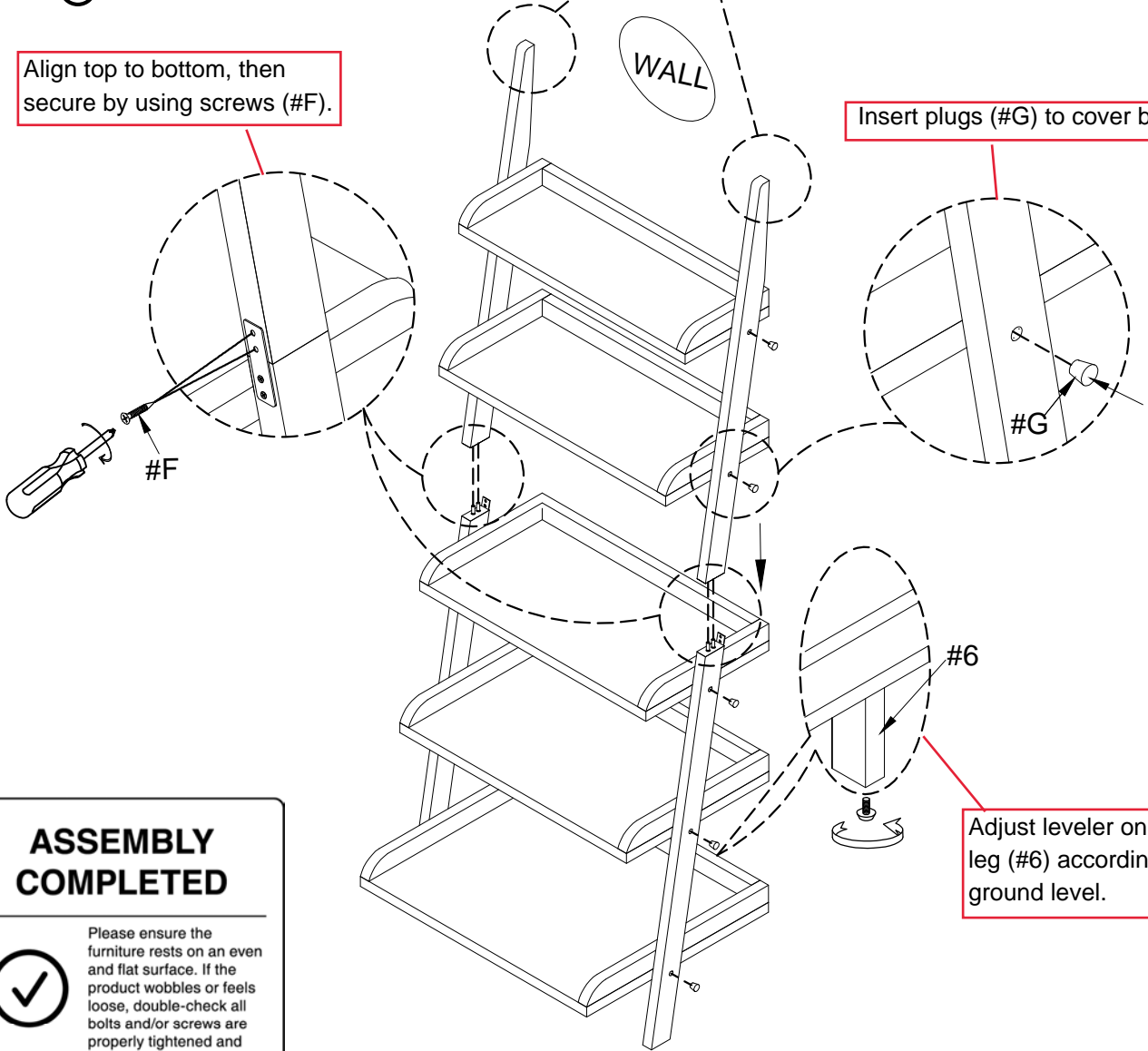
3

- Hardware #F x4pcs
- Hardware #G x10pcs
- Hardware #I x 2pcs
- Hardware #J x4pcs
- Hardware #K x2pcs
- Hardware #L x2pcs
- Hardware #M x2pcs



Align top to bottom, then secure by using screws (#F).

Insert plugs (#G) to cover bolts.



ASSEMBLY COMPLETED

 Please ensure the furniture rests on an even and flat surface. If the product wobbles or feels loose, double-check all bolts and/or screws are properly tightened and secured.

- ✓ **Keep this handy!**
Please retain this instruction manual and any order-related information for future reference.
- ✓ **Lift, don't drag!**
To avoid damage to product please always LIFT the product when transporting or adjusting the placement.