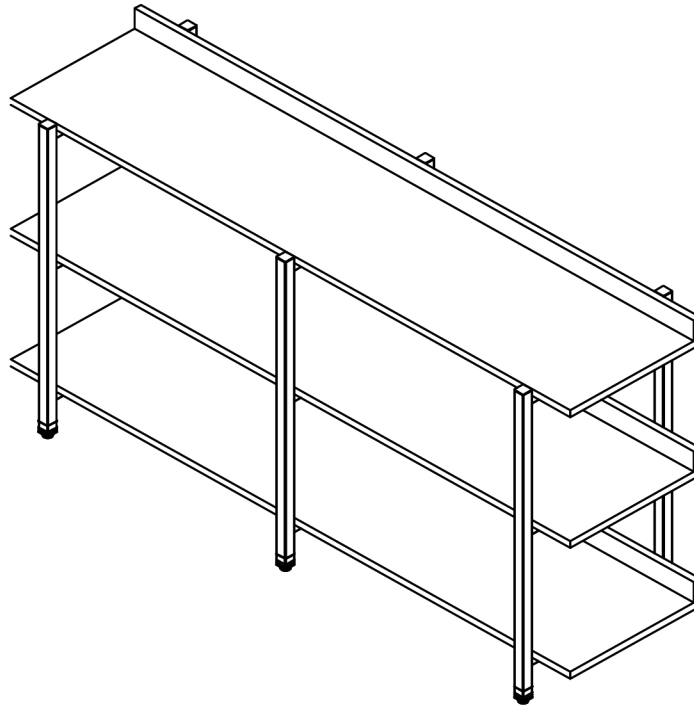


Assembly Instructions



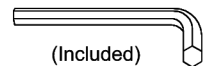
ASSEMBLY RATING

The Assembly Rating is a 5-point system that shows the degree of effort needed in assembling a specific product (with 1 being easy and 5 being difficult). For some products, two persons are recommended.

EASY  DIFFICULT

Tools Required For Assembly:

Allen Wrench

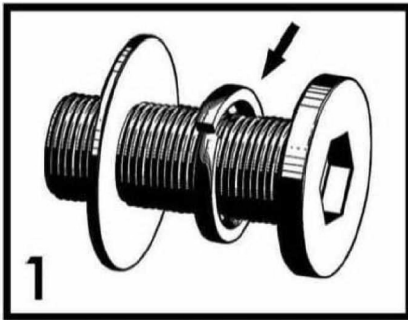


2 PERSONS RECOMMENDED

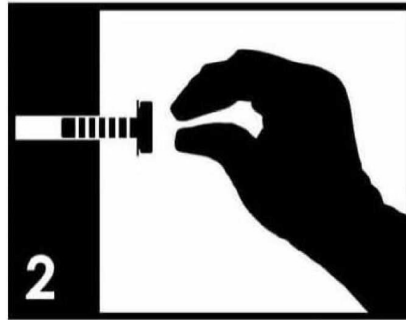
ASSEMBLY & CARE ADVICE

FOR YOUR FURNITURE TO LAST, CORRECT ASSEMBLY AND PROPER MAINTENANCE ARE NECESSARY. PLEASE FOLLOW THE INFORMATION PROVIDED BELOW TO FULLY ENJOY YOUR FURNITURE.

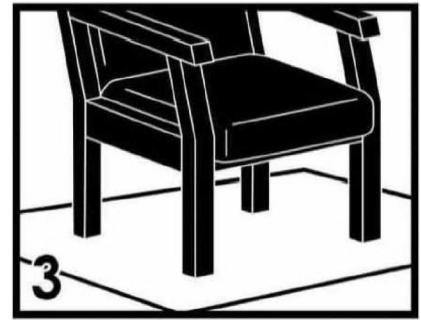
BASIC ASSEMBLY TECHNIQUES



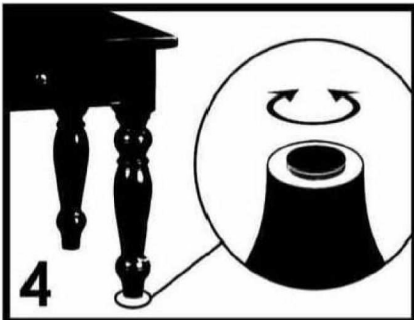
When lock or spring washer is used in an assembly, please make sure the lock or spring washer is placed between the larger flat washer and the head of the screw or bolt.



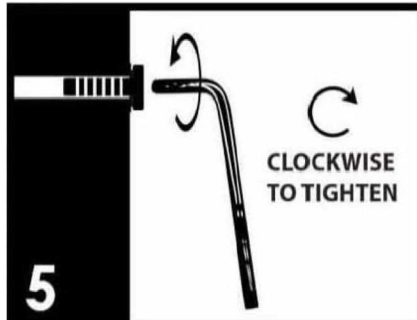
Position each part correctly and insert screws or bolts into their respective holes by hand tighten or using the proper hand tool. Only tighten when step is completed or when instructed to do so.



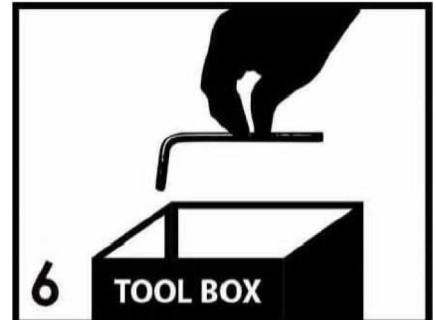
Use cardboard or carpet area when assembling furniture to prevent scratches. Make sure the furniture rests on a flat and level surface with each leg evenly touching the floor.



Some furniture comes with height adjustment knobs underneath each leg. To lower or to raise each leg, you need to turn clockwise or counterclockwise, respectively.



Make sure all parts are properly aligned, then use the appropriate hand tool to completely tighten the bolts or screws. Do not use power tools and do not overtighten.

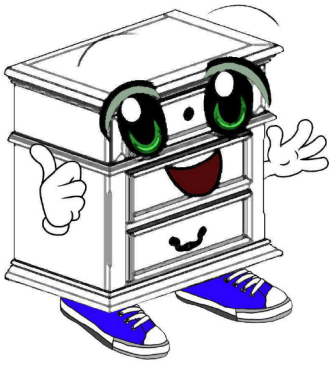


Save the instructions and store the Allen wrench or any supplied tool for later maintenance. After two weeks, check and tighten any loose hardware and repeat again every six months thereafter.

IT IS THE USER'S RESPONSIBILITY TO MAINTAIN THE FURNITURE. THE HARDWARE MAY LOOSEN OVER TIME AND MAY CAUSE THE FURNITURE TO BE WOBBLY AND UNABLE TO SUPPORT ITS INTENDED WEIGHT CAPACITY. THIS MAY LEAD TO COLLAPSE AND MAY CAUSE SERIOUS INJURY.



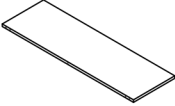
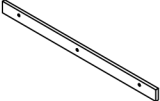

FAILURE TO FOLLOW THE GUIDELINES ABOVE MAY RESULT IN INJURY AND/OR PROPERTY DAMAGE.










Before you begin, please read Page 2 of "Assembly and Care Advice".

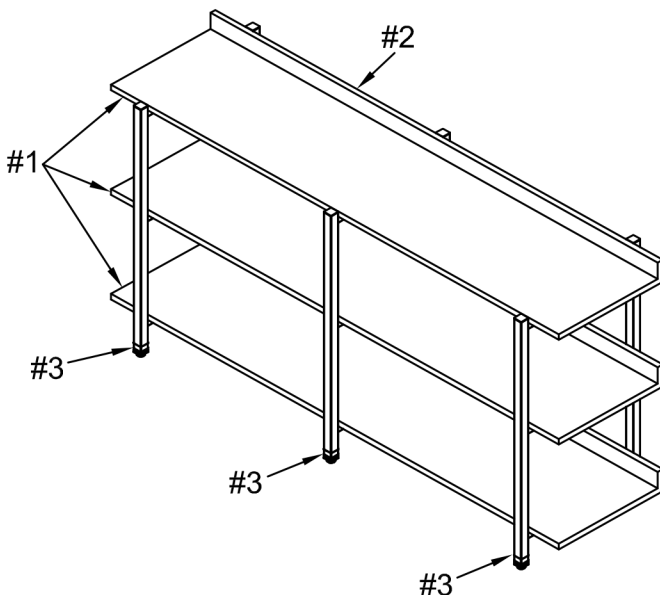
And remember, do not tighten until each step is completed or instructed.

Parts List

-  #1 x 3pcs
Shelf Panels
-  #2 x 3pcs
Shelf Support
-  #3 x 3pcs
Metal Frames

Hardware List

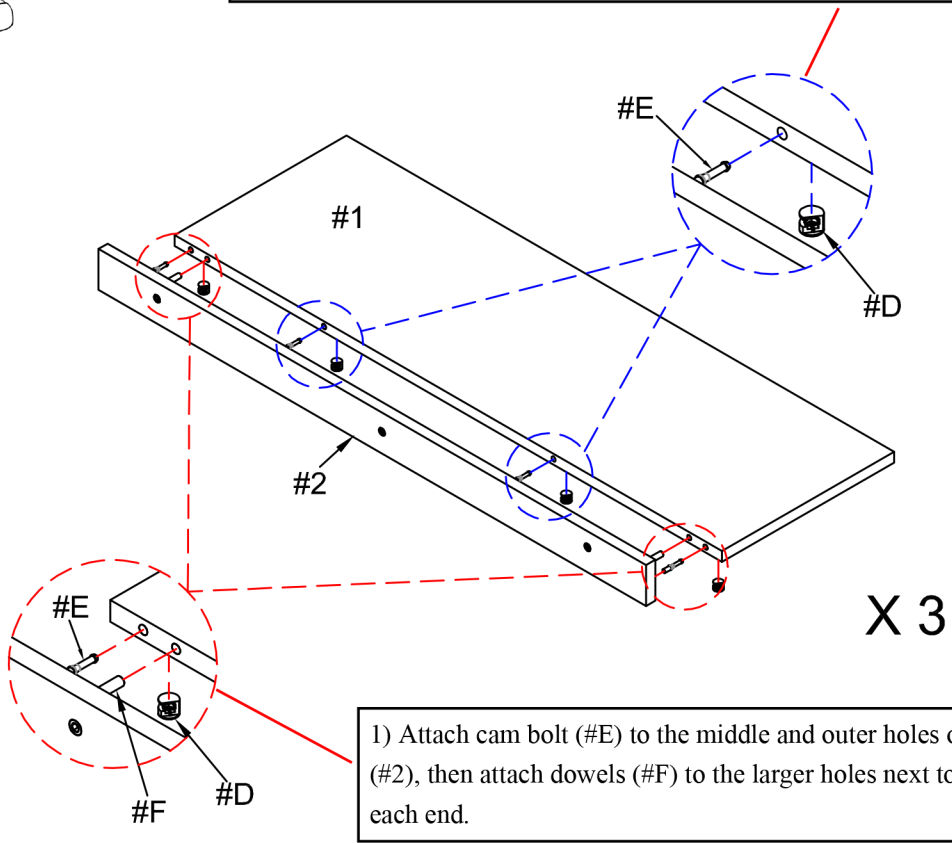
-  #A x 27pcs
Bolts $\text{Ø}1/4"$ x 1-3/8"
-  #B x 25pcs
Flat Washers $\text{Ø}1/4"$
-  #C x 1pc
Allen Wrench M4
-  #D x 12pcs
Cam Lock Nuts
-  #E x 12pcs
Cam Lock Screws
-  #F x 6pcs
Dowels $\text{Ø}8$ x 1-3/16"
-  #G x 2pcs
Anti-Tip Kits





2) Align and attach shelf support (#2) to the holes of the shelf panels (#1). Secure by inserting cam lock nuts (#D) to the holes at the bottom of the shelf panels (#1). Make sure the gap of the cam lock nuts fit into the head of the cam bolts (#E). Turn to tighten.

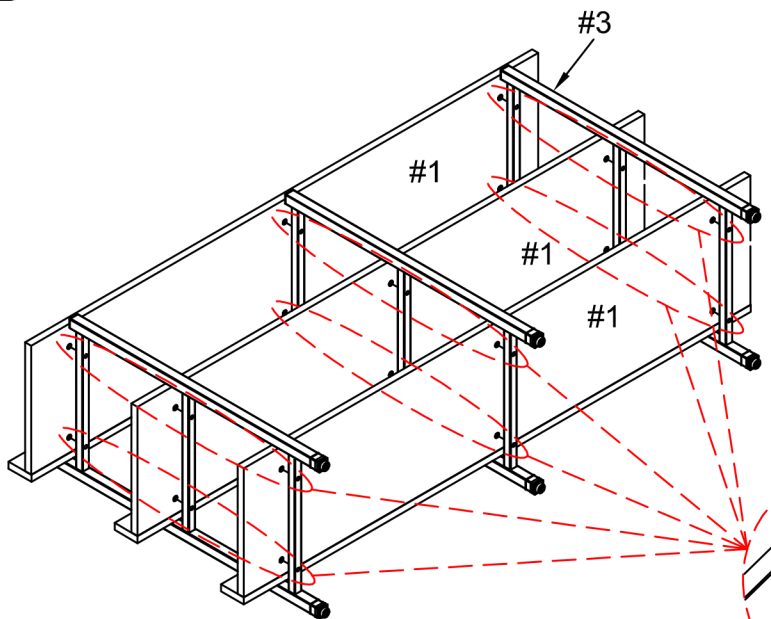
#D x 4pcs
#E x 4pcs
#F x 2pcs



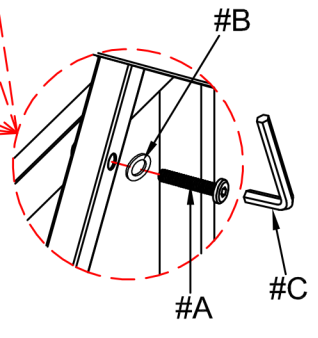
1) Attach cam bolt (#E) to the middle and outer holes of shelf supports (#2), then attach dowels (#F) to the larger holes next to cam bolts (#E) at each end.



#A x 18pcs
#B x 18pcs



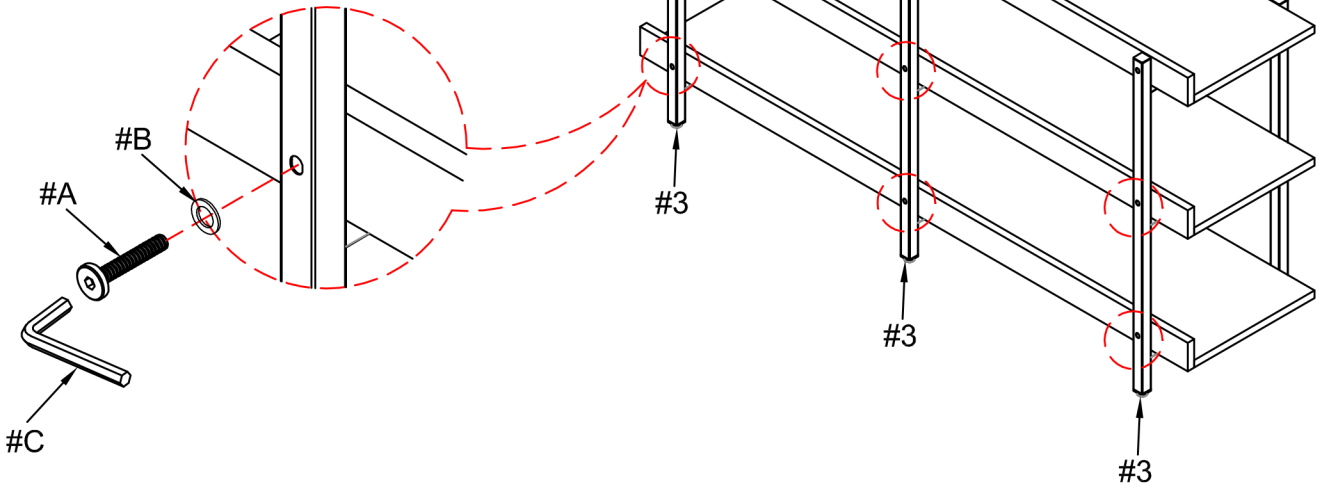
Prepare 18 bolts assembly by inserting washer (#B) onto bolts (#A). Align shelves (#1) to the holes of the side frames (#3). Secure by using bolts (#A).





#A x 7pcs
#B x 7pcs

Prepare 7 bolts assembly by inserting washer (#B) onto bolts (#A). Secure back holes of the side frames (#3) to shelf supports (#2) by using bolts (#A).



#A x 2pcs
#G x 2pcs

- 1) Align furniture to wall, then measure and create holes to wall.
- 2) Insert plastic insert with L bracket to the holes in the wall.
- 3) Secure L brackets to furniture by using bolts (#A).
- 4) Use strap onto the brackets (#G).

