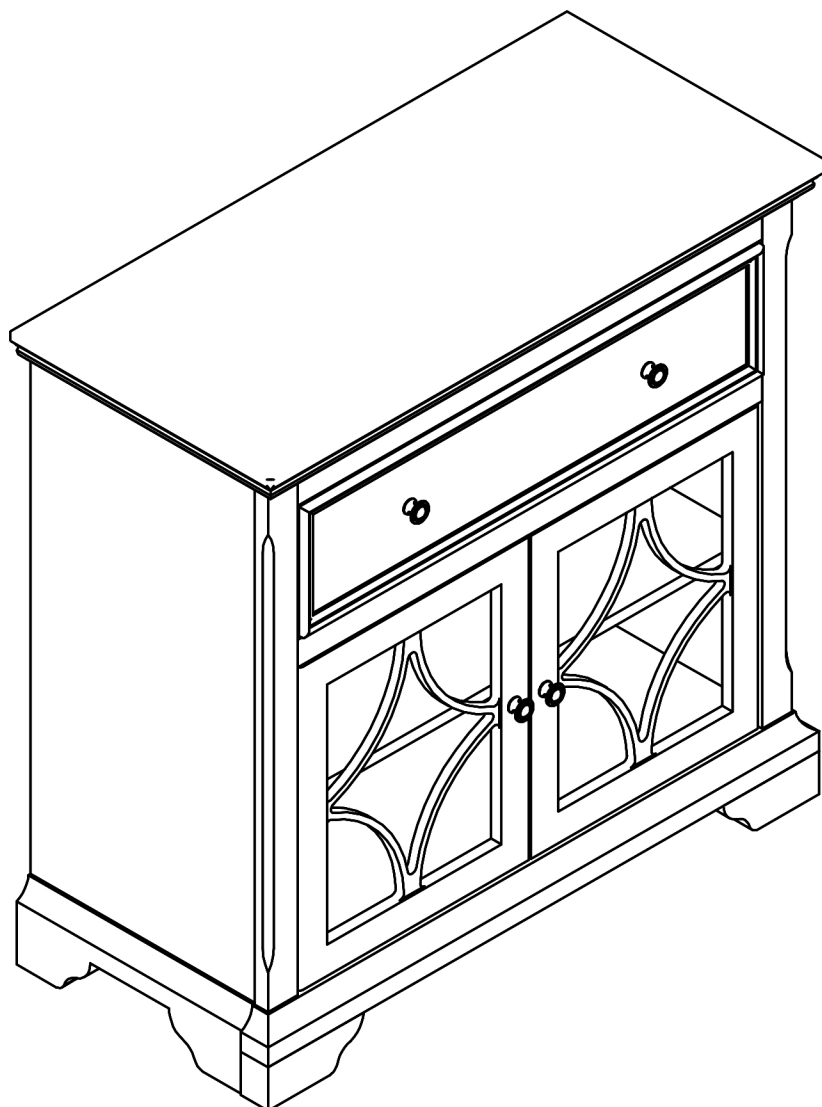


# ASSEMBLY INSTRUCTIONS

## TOOLS REQUIRED



Phillips  
Screwdriver

(Not Included)



2 - Persons  
Recommended

## ASSEMBLY RATING



EASY —————> DIFFICULT

The Assembly Rating is a 5-point system showing the level of effort needed to assemble a specific product.



## **CHECK BEFORE STARTING**

### **Are you missing anything?**

Double-check all parts, hardware and accessories listed on Page 6 are accounted for.

### **Check out our Quick Tips!**

We recommend reviewing the pre-assembly handouts. Even experts need a refresher now and then!

### **Should we send any replacements?**

Are there any irregularities or flaws in the parts? We can send replacements!

### **Prep Time!**

Please review the assembly instructions and all diagrams prior to assembling. Set up your workspace by laying the parts and hardware out separately, then begin!

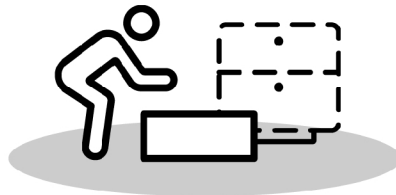
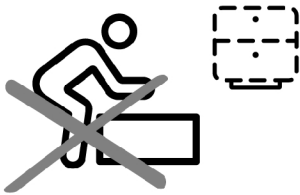
# PRE ASSEMBLY INTRODUCTION

We understand building ready-to-assemble furniture can be a challenging experience for some. To help avoid confusion, we have provided some helpful tips that may speed up the process.



## Teamwork

ALWAYS have at least two people to help with transporting and assembling the product to avoid potential injury and/or damage.



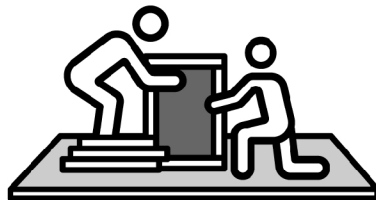
## Suitable Location

Assembling near the area of the intended location is highly recommended.



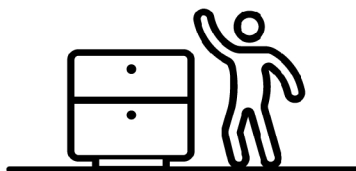
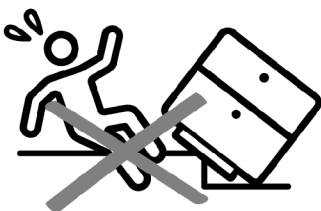
## Sufficient Space

Make sure you have enough space to move around during the assembly.



## Avoid Scratches

Use cardboard, blankets or a carpeted area while assembling furniture to prevent scratches.



## Flat Surface

Make sure the furniture rests on a flat and level surface with each leg evenly touching the floor.

# ASSEMBLY AND CARE ADVICE



**FAILURE TO FOLLOW THE GUIDELINES BELOW MAY RESULT IN INJURY AND/OR PROPERTY DAMAGE.**



Position each part correctly and insert screws or bolts into their respective holes.



Turn clockwise to tighten and only tighten when step is completed or when instructed to do so.



Use the appropriate hand tools or power tools for assembly. Select steps, such as tightening screws and/or bolts, may require hand tools to avoid causing damage during assembly.



Save the instructions and store any supplied tools for later maintenance.



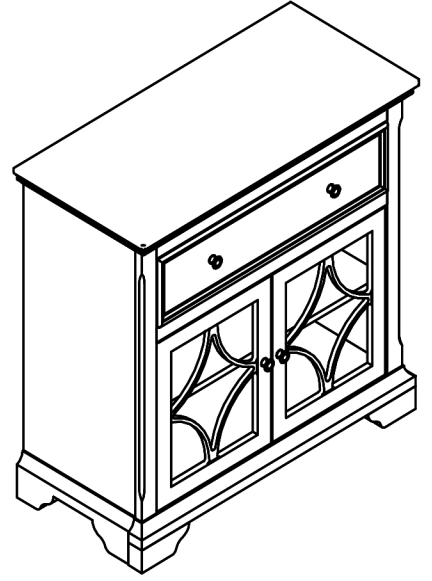
After two weeks, check and tighten any loose hardware and repeat again every six months thereafter.

**IT IS THE USER'S RESPONSIBILITY TO MAINTAIN THE FURNITURE. THE HARDWARE MAY LOOSEN OVER TIME AND MAY CAUSE THE FURNITURE TO BE WOBBLY AND UNABLE TO SUPPORT ITS INTENDED WEIGHT CAPACITY. THIS MAY LEAD TO COLLAPSE AND MAY CAUSE SERIOUS INJURY.**

# KITCEN ISLAND

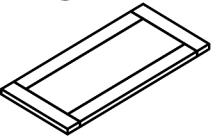


- Please keep instructions for future reference.
- Check the quantity and irregularity of parts and hardware before you start.



## PARTS

#1 1pc



Top panel

#2 1pc



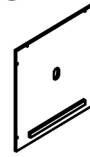
Left side panel

#3 1pc



Right side panel

#4 1pc



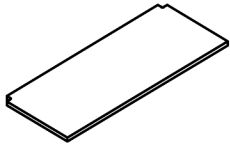
Back panel

#5 1pc



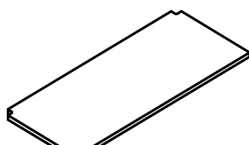
Front frame

#6 1pc



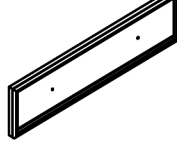
Adjustable shelf

#7 1pc



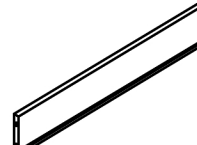
Bottom panel

#8 1pc



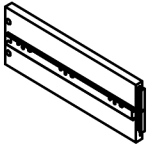
Drawer front

#9 1pc



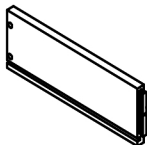
Drawer back

#10 1pc



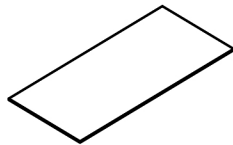
Drawer left

#11 1pc



Drawer right

#12 1pc



Drawer bottom panel

## HARDWARE

#A 2pcs



Knob

#B 4pcs



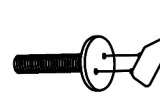
Handle screw  
Ø5/32"\*22mm

#C 4pcs



Shelf support  
Ø6.5mm

#D 12pcs



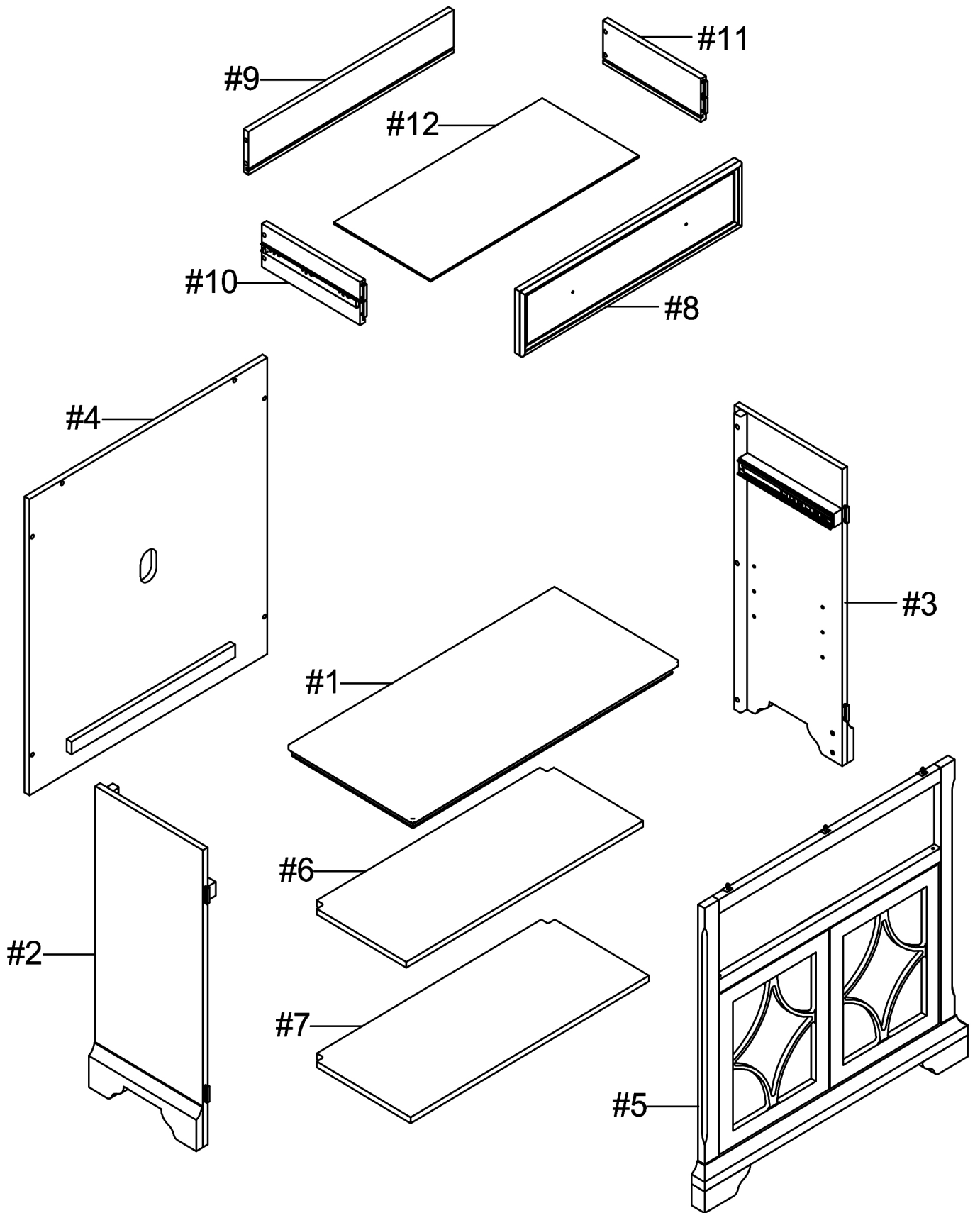
Bolt Ø1/4"\*23mm

#E 1Set



Anti tip kit

# Exploded View



# ASSEMBLY INSTRUCTIONS

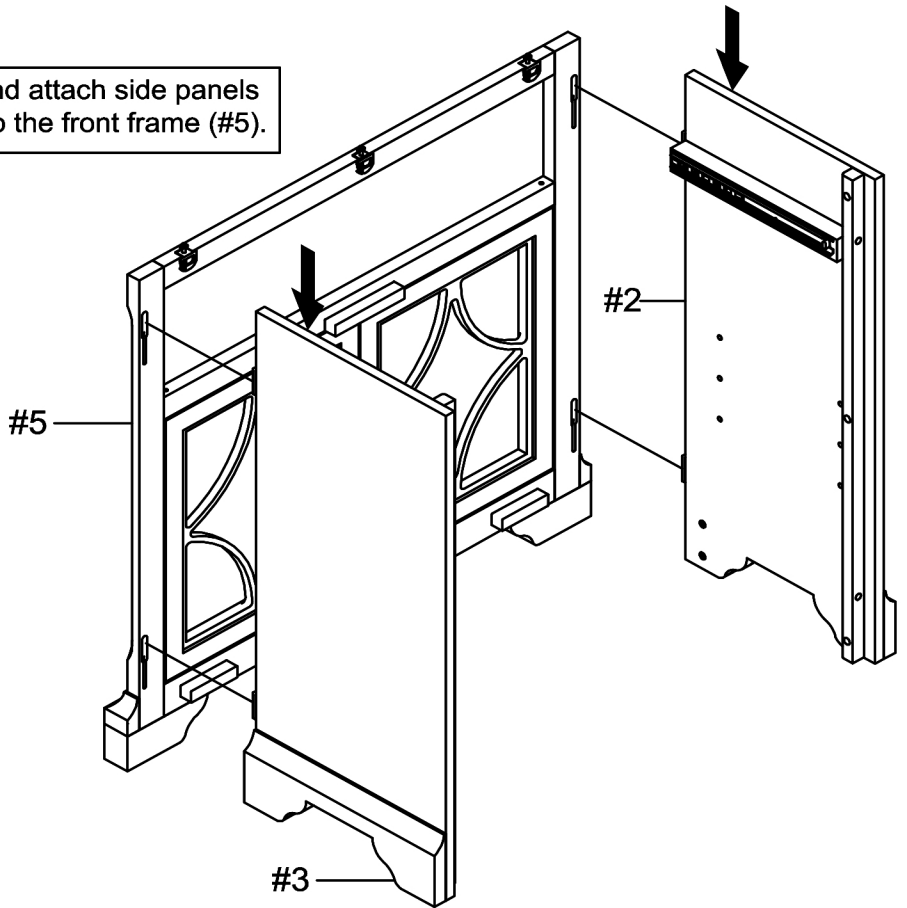
1

Part #2 x1pc

Part #3 x1pc

Part #5 x1pc

Align and attach side panels (#2,3) to the front frame (#5).

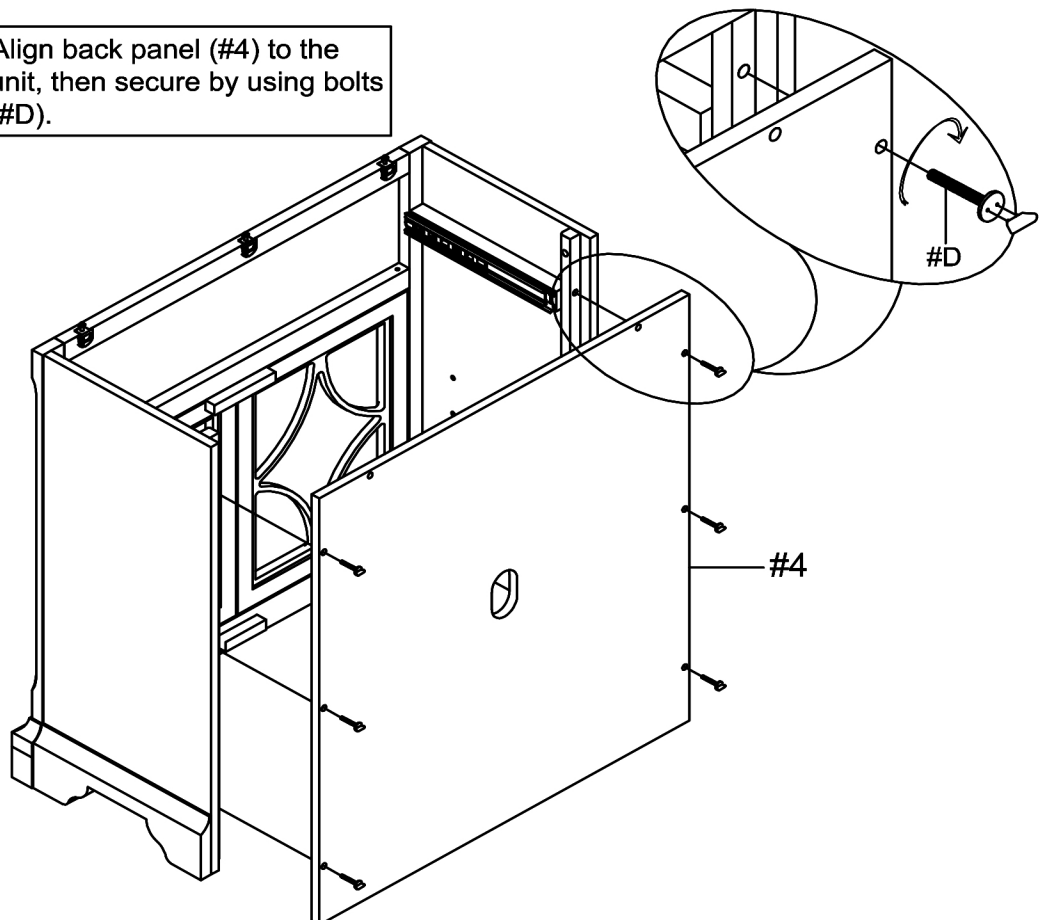


2

Hardware #D x6pcs

Part #4 x1pc

Align back panel (#4) to the unit, then secure by using bolts (#D).

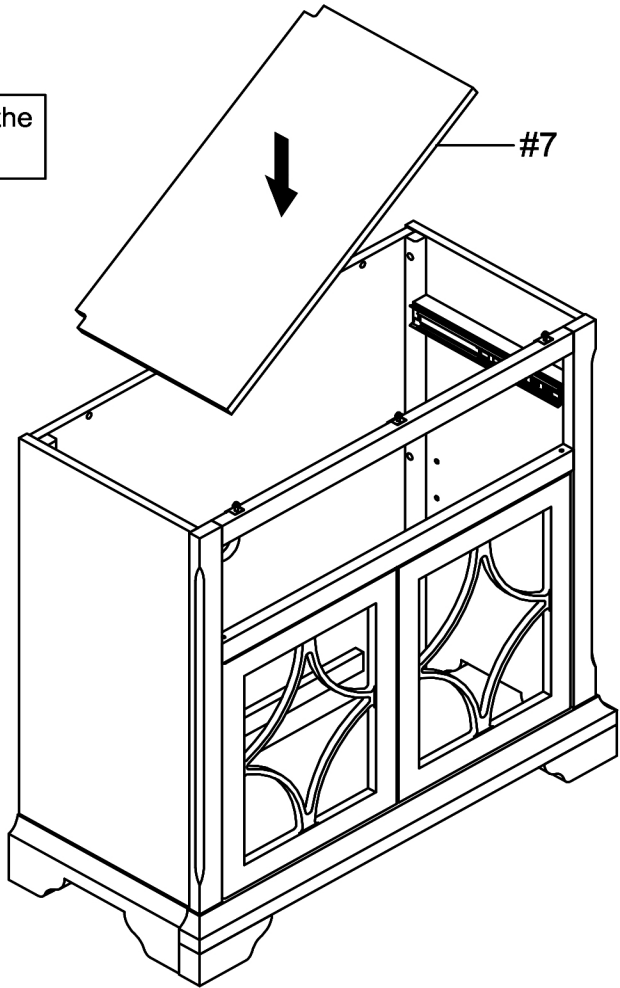


# ASSEMBLY INSTRUCTIONS

3

Part #7 x1pc

Place bottom panel (#7) to the bottom of the unit.

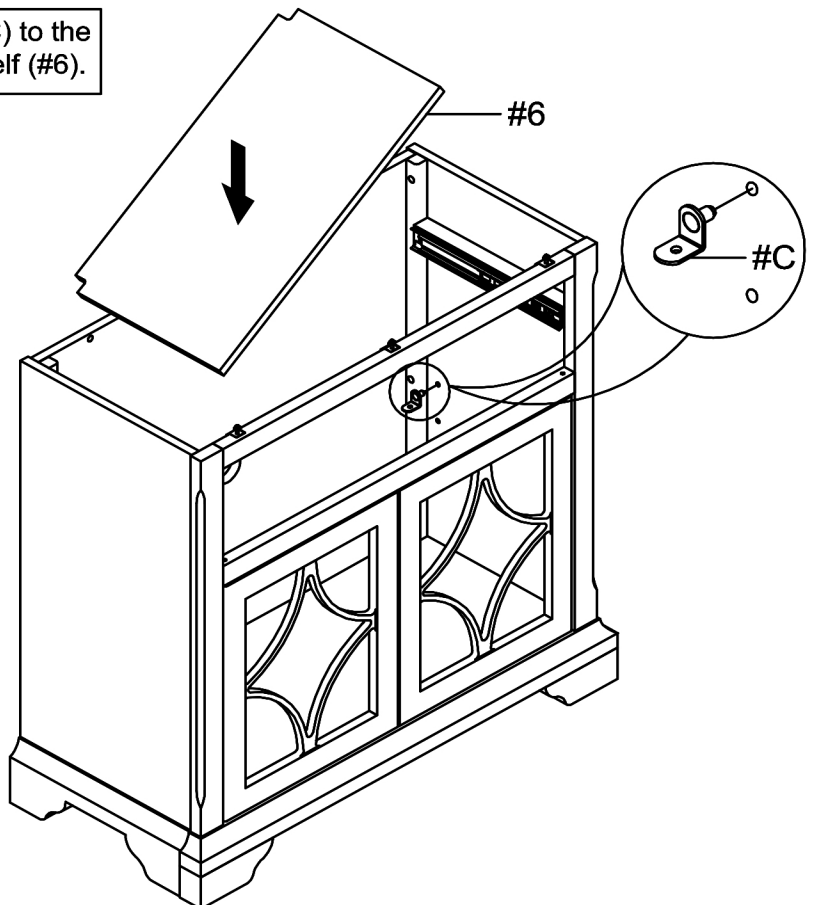


4

Hardware #C x4pcs

Part #6 x1pc

Insert shelf supports (#C) to the desired height of the shelf (#6).





# ASSEMBLY INSTRUCTIONS

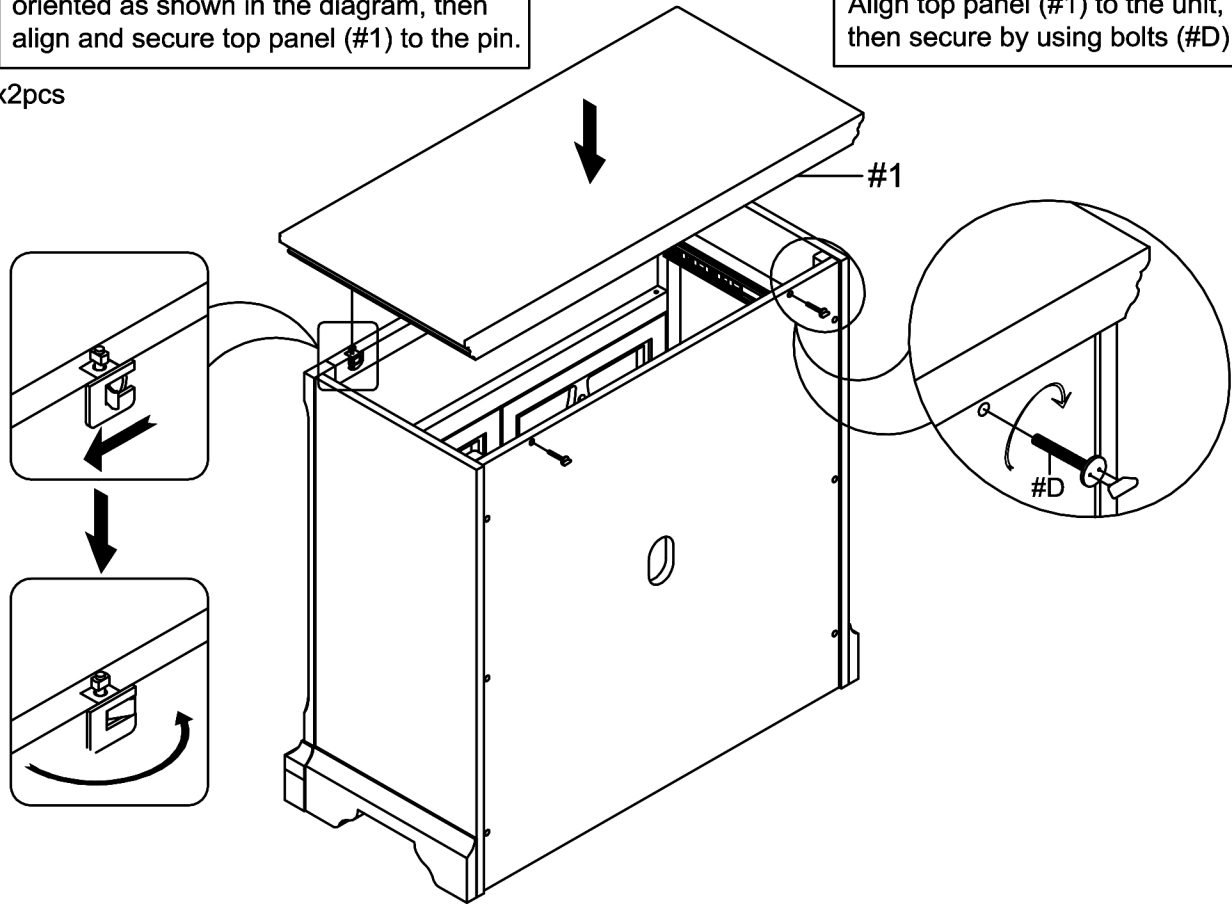
## 5

Unlock the unit so that the pins are oriented as shown in the diagram, then align and secure top panel (#1) to the pin.

Align top panel (#1) to the unit, then secure by using bolts (#D).

Hardware (#D) x2pcs

Part (#1) x1pc

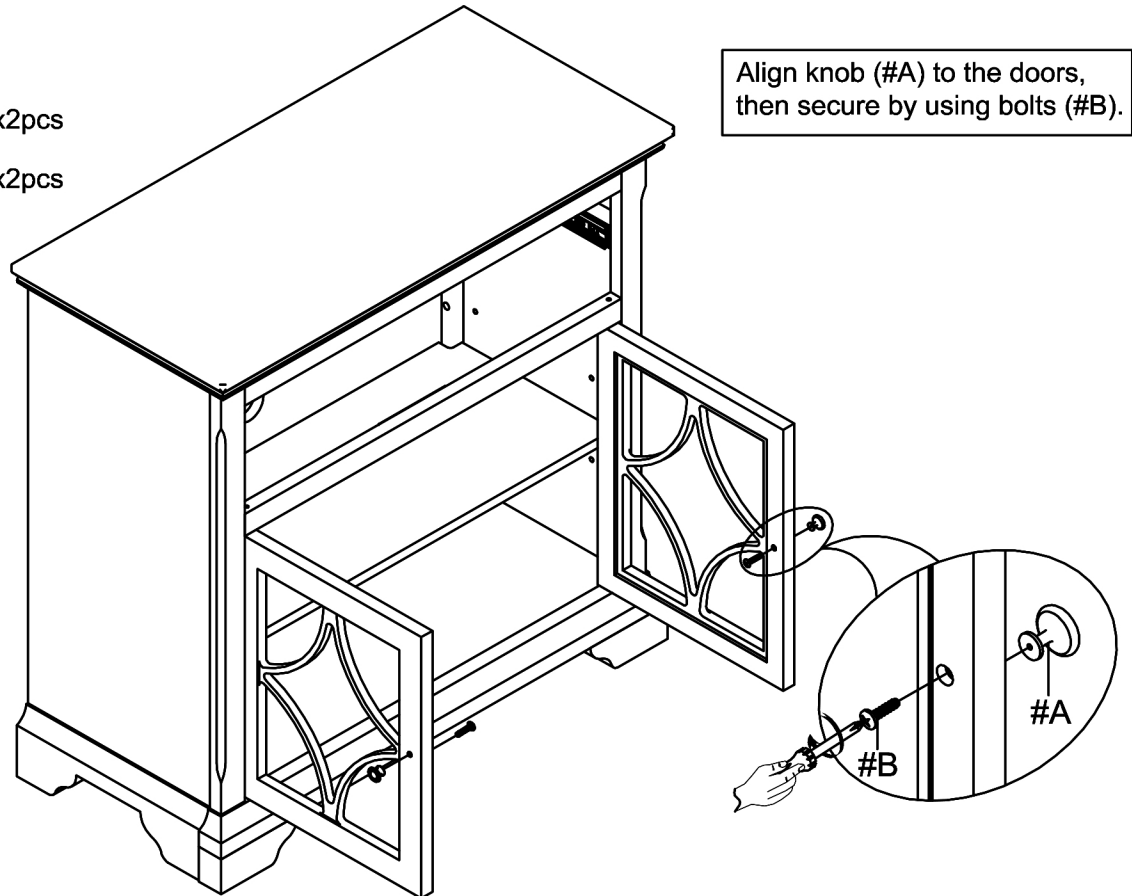


## 6

Hardware (#A) x2pcs

Hardware (#B) x2pcs

Align knob (#A) to the doors, then secure by using bolts (#B).



# ASSEMBLY INSTRUCTIONS

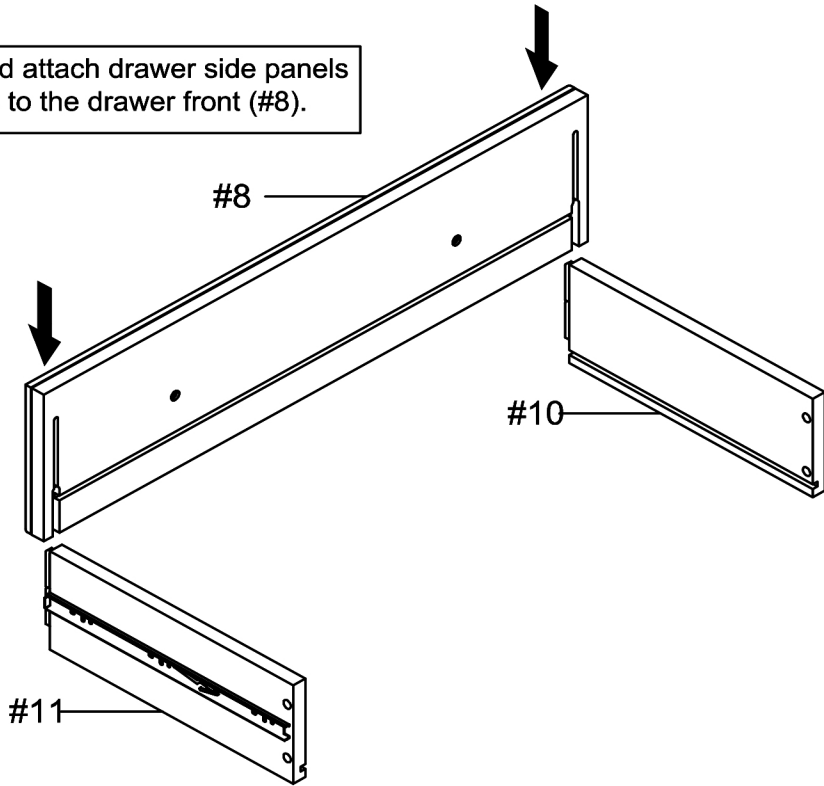
## 7

Part #8 x1pc

Part #10 x1pc

Part #11 x1pc

Align and attach drawer side panels (#10,11) to the drawer front (#8).



## 8

Hardware #A x2pcs

Hardware #B x2pcs

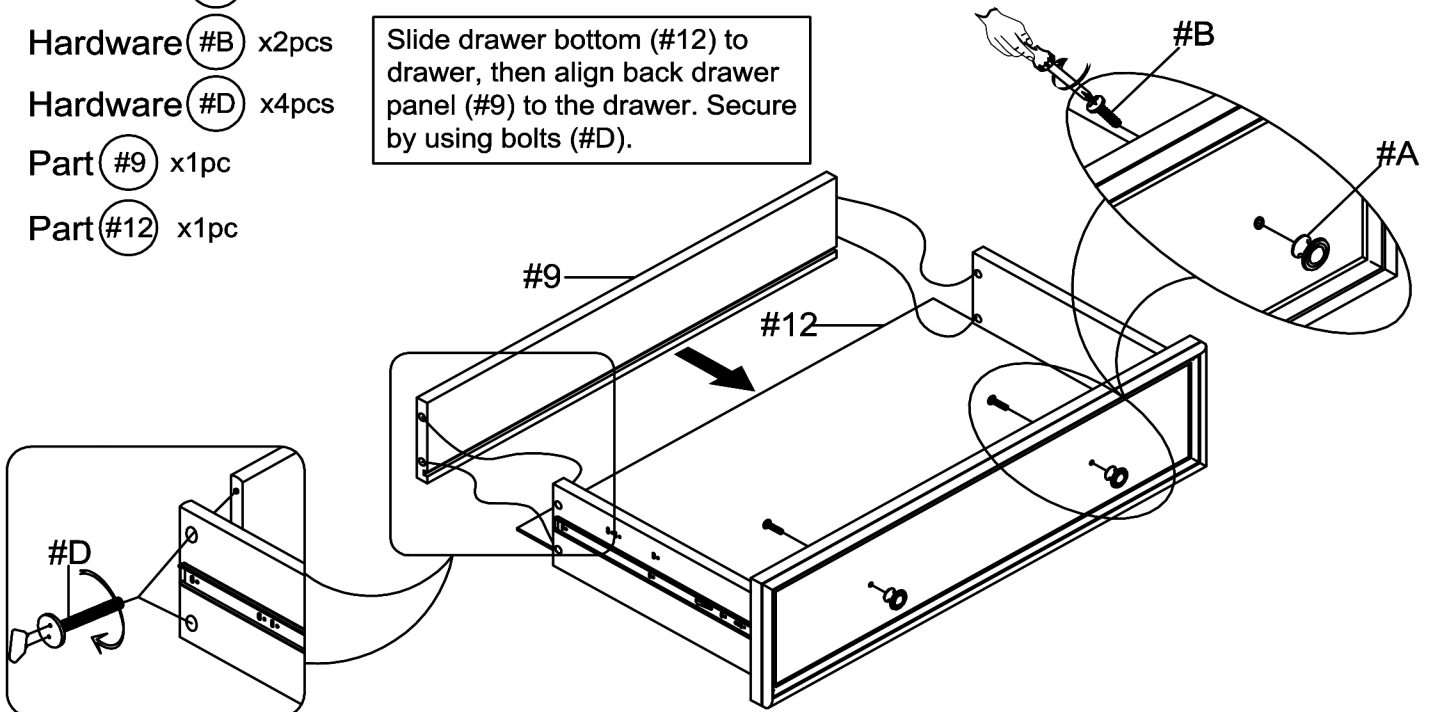
Hardware #D x4pcs

Part #9 x1pc

Part #12 x1pc

Slide drawer bottom (#12) to drawer, then align back drawer panel (#9) to the drawer. Secure by using bolts (#D).

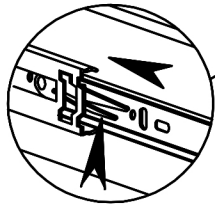
Align knob (#A) to drawer front, then secure by using bolts (#B).



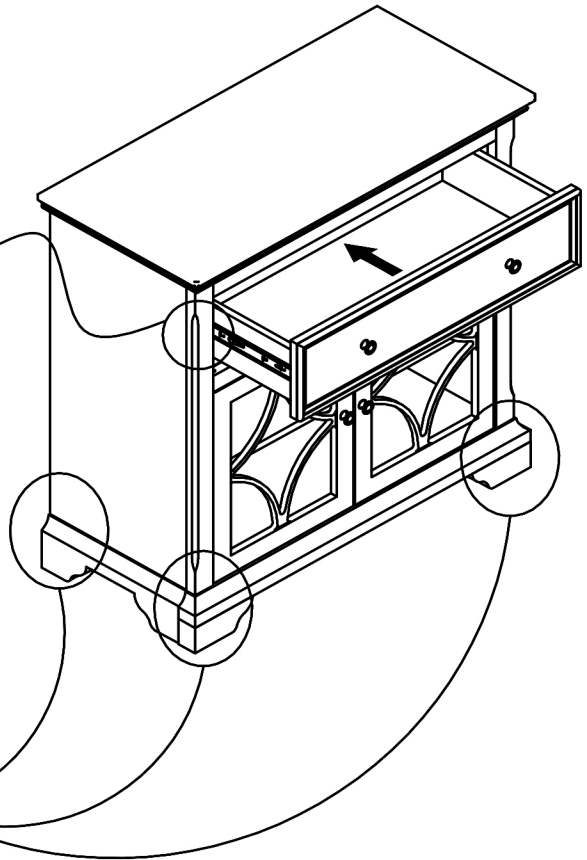
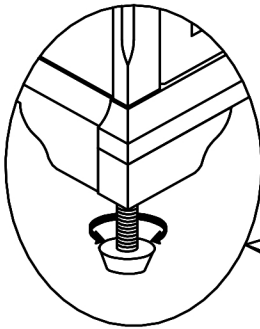
# ASSEMBLY INSTRUCTIONS

9

Align and connect the drawer rails on the drawer to the drawer rails on the unit.

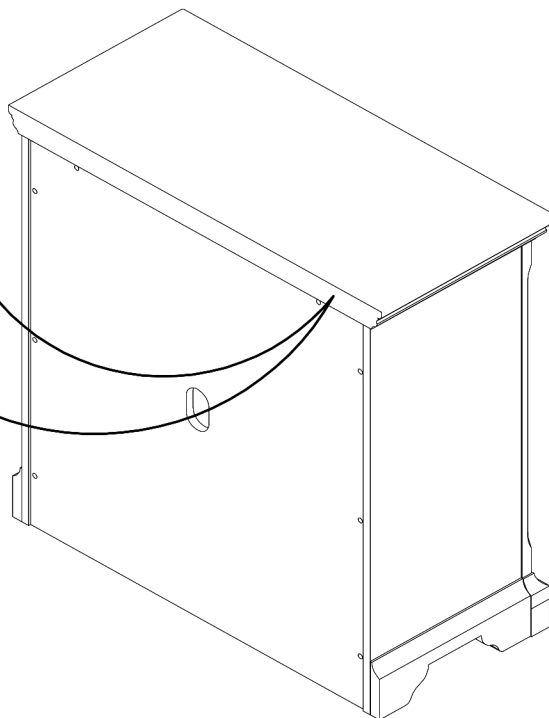
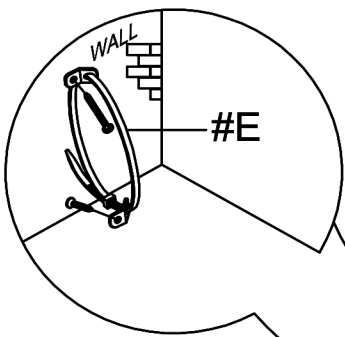


Adjust levelers according to ground level.



10

Hardware (#E) x1Set



## ASSEMBLY COMPLETED



Please ensure the furniture rests on an even and flat surface. If the product wobbles or feels loose, double-check all bolts and/or screws are properly tightened and secured.



### Keep this handy!

Please retain this instruction manual and any order-related information for future reference.



### Lift, don't drag!

To avoid damage to product please always LIFT the product when transporting or adjusting the placement.

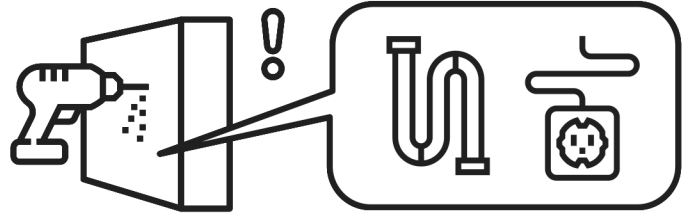
# ASSEMBLY INSTRUCTIONS

## Wall Mounting and Fixing



### EXPANSION WALL ANCHOR

Our provided expansion wall anchors are only suitable for masonry walls, such as drywall, plaster or concrete, and are best for holding lightweight items or for anti-tip prevention. If you are unsure of the correct wall anchor to use with the product, please request professional guidance. Liability for product damage or failure due to using the incorrect anchors will fall on the installer.

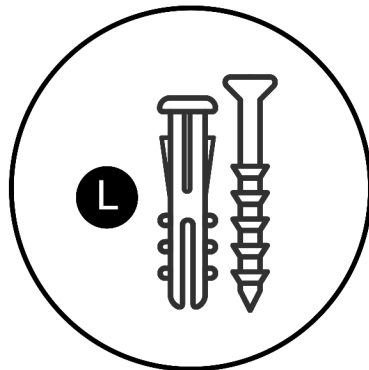


### CHECK BEFORE PROCEEDING

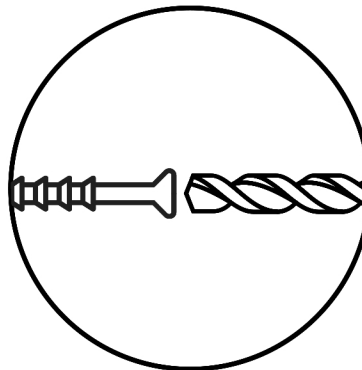
Prior to drilling or hammering, please check for wires or pipes. We recommend using a stud finder to locate a stud, which will offer more appropriate resistance and hold more weight.

## QUICK TIPS

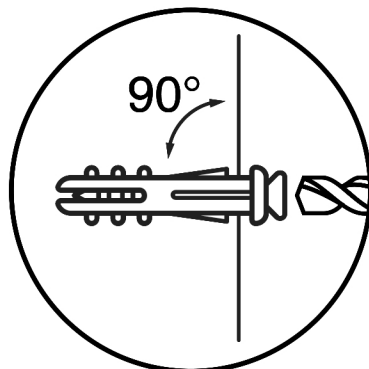
1. If unsure of the proper size, always choose a larger screw and wall anchor.



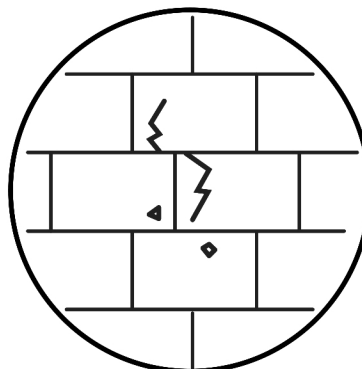
2. Match the drill bit to the wall anchor and hole size.



3. Only drill horizontally. Do not force the drill or enlarge the hole for the wall anchor.



4. Take extra care when drilling into high walls or ceramic tiles. Wall anchors should be a tight fit for the hole. Never use wall anchors in ceilings.



### MAINTENANCE

Yearly  
Check

We recommend a yearly check to see if the wall anchor or screw has loosened. If so, please remove the existing wall anchor and screw, and use a new anchor.