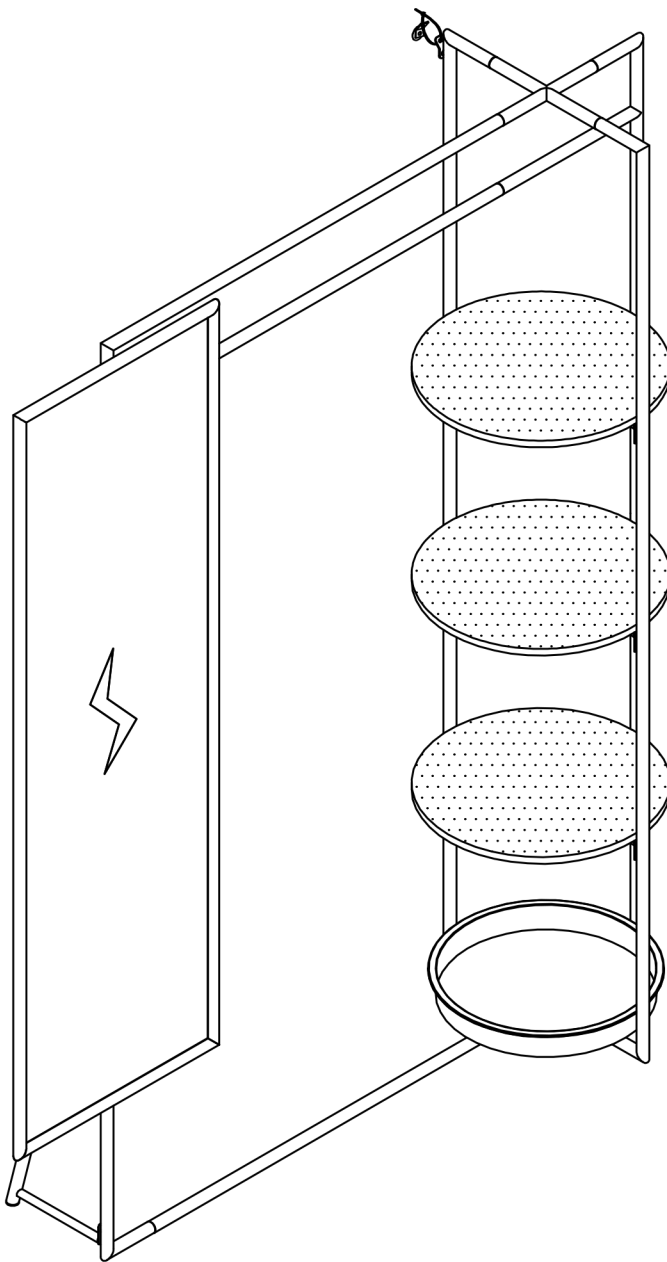


ASSEMBLY INSTRUCTIONS



TOOLS REQUIRED



Allen Wrench

(Included)



Phillips
Screwdriver

(Not Included)



2 - People
Recommended

ASSEMBLY RATING



EASY —————> DIFFICULT

The Assembly Rating is a 5-point system showing the level of effort needed to assemble a specific product.



CHECK BEFORE STARTING

Are you missing anything?

Double-check all parts, hardware and accessories listed on Page 6 are accounted for.

Check out our Quick Tips!

We recommend reviewing the pre-assembly handouts. Even experts need a refresher now and then!

Should we send any replacements?

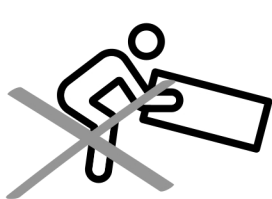
Are there any irregularities or flaws in the parts? We can send replacements!

Prep Time!

Please review the assembly instructions and all diagrams prior to assembling. Arrange parts as recommended on Page 7 and group identical hardware together to make assembling easier.

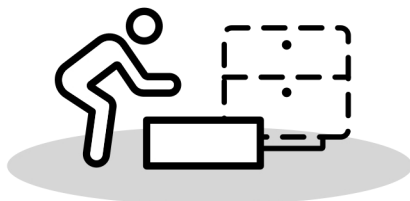
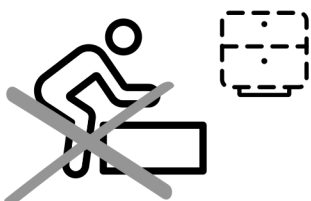
PRE ASSEMBLY INTRODUCTION

We understand building ready-to-assemble furniture can be a challenging experience for some. To help avoid confusion, we have provided some helpful tips that may speed up the process.



Teamwork

ALWAYS have at least two people to help with transporting and assembling the product to avoid potential injury and/or damage.



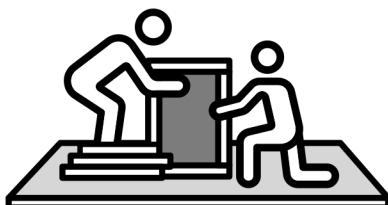
Suitable Location

Assembling near the area of the intended location is highly recommended.



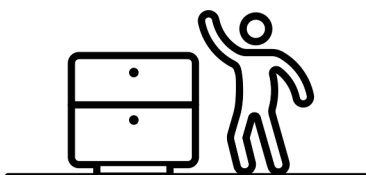
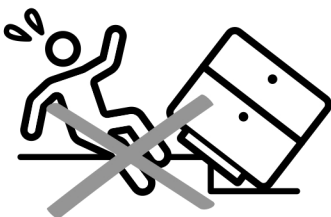
Sufficient Space

Make sure you have enough space to move around during the assembly.



Avoid Scratches

Use cardboard, blankets or a carpeted area while assembling furniture to prevent scratches.



Flat Surface

Make sure the furniture rests on a flat and level surface with each leg evenly touching the floor.

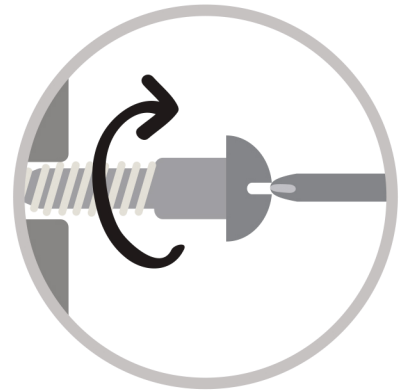
ASSEMBLY AND CARE ADVICE



FAILURE TO FOLLOW THE GUIDELINES BELOW MAY RESULT IN INJURY AND/OR PROPERTY DAMAGE.



Position each part correctly and insert screws or bolts into their respective holes.



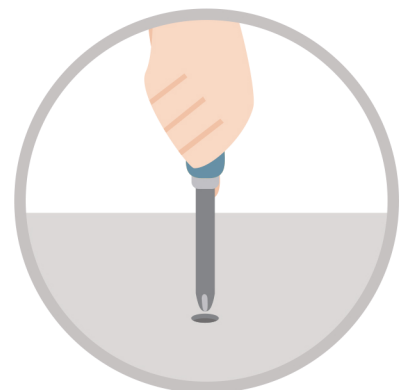
Turn clockwise to tighten and only tighten when step is completed or when instructed to do so.



Use the appropriate hand tools or power tools for assembly. Select steps, such as tightening screws and/or bolts, may require hand tools to avoid causing damage during assembly.



Save the instructions and store any supplied tools for later maintenance.



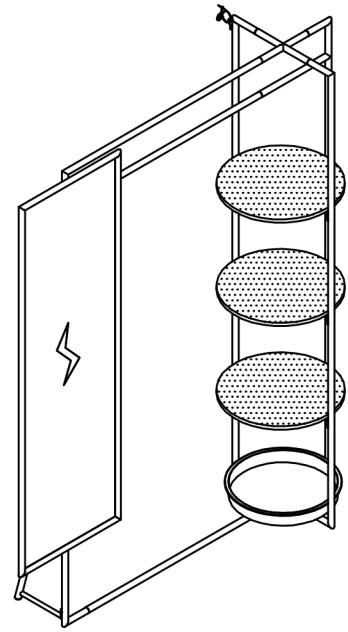
After two weeks, check and tighten any loose hardware and repeat again every six months thereafter.

IT IS THE USER'S RESPONSIBILITY TO MAINTAIN THE FURNITURE. THE HARDWARE MAY LOOSEN OVER TIME AND MAY CAUSE THE FURNITURE TO BE WOBBLY AND UNABLE TO SUPPORT ITS INTENDED WEIGHT CAPACITY. THIS MAY LEAD TO COLLAPSE AND MAY CAUSE SERIOUS INJURY.

COAT STAND



- Please keep instructions for future reference.
- Check the quantity and irregularity of parts and hardware before you start.



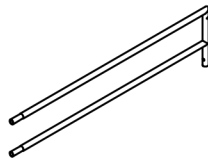
PARTS

#1 1pc



Right Panel

#2 1pc



Top Panel

#3 1pc



Left Panel

#4 1pc



Front Panel

#5 1pc



Back Panel

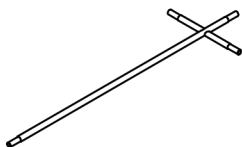
#6 1pc



Mirror

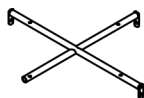
PARTS

#7 1pc



Bottom Panel

#8 3pcs



Shelf Cross Bar

#9 1pc



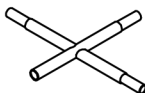
Connected Bar

#10 1pc



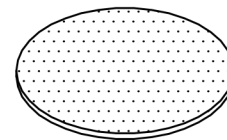
Support Bar

#11 1pc



Top Cross Bar

#12 3pcs



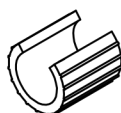
Shelf Board

#13 1pc



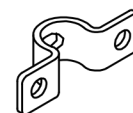
Tray

#14 4pcs



Plastic Pad

#15 2pcs



Bracket

HARDWARE

#A 12pcs



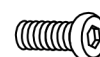
Screw ϕ 4x22mm

#B 28pcs



Bolt ϕ 1/4"x1/2"

#C 2pcs



Bolt ϕ 1/4"x1-1/8"

#D 1pc



Allen Wrench

#E 5pcs



Leveler ϕ 1/4"

#F 1pc



Bolt ϕ 3/16"x1/2"

#G 1pc



Screw ϕ 4x50mm

#H 2pcs



Bracket

#I 1pc



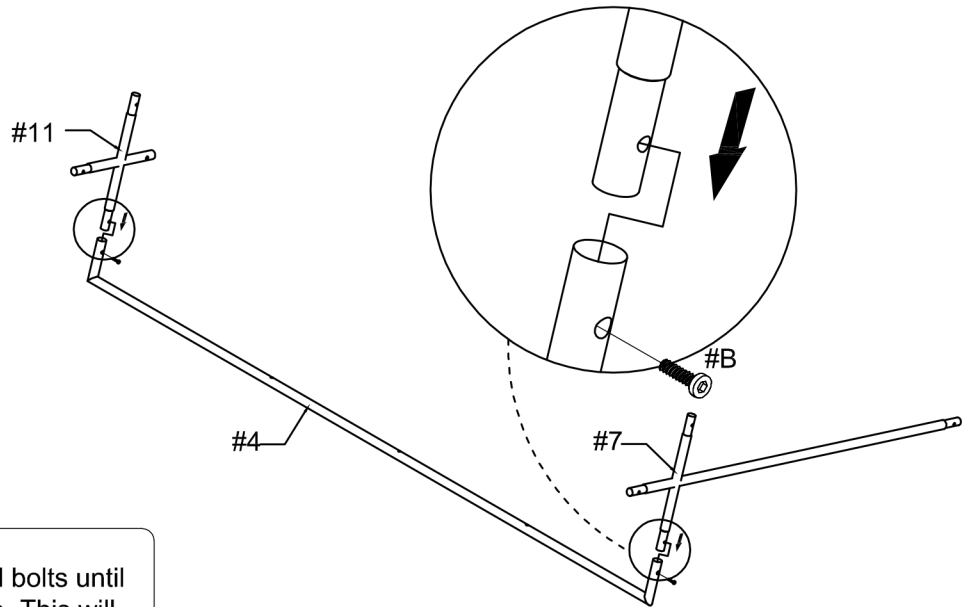
Restraint Strap

ASSEMBLY INSTRUCTIONS

1

- Part #4 x1pc
- Part #11 x1pc
- Part #7 x1pc
- Hardware #B x2pcs
- Hardware #D x1pc

Align the bottom panel (#7), top cross bar (#11) to front panel (#4), then secure by using bolts (#B) with washers (#D).

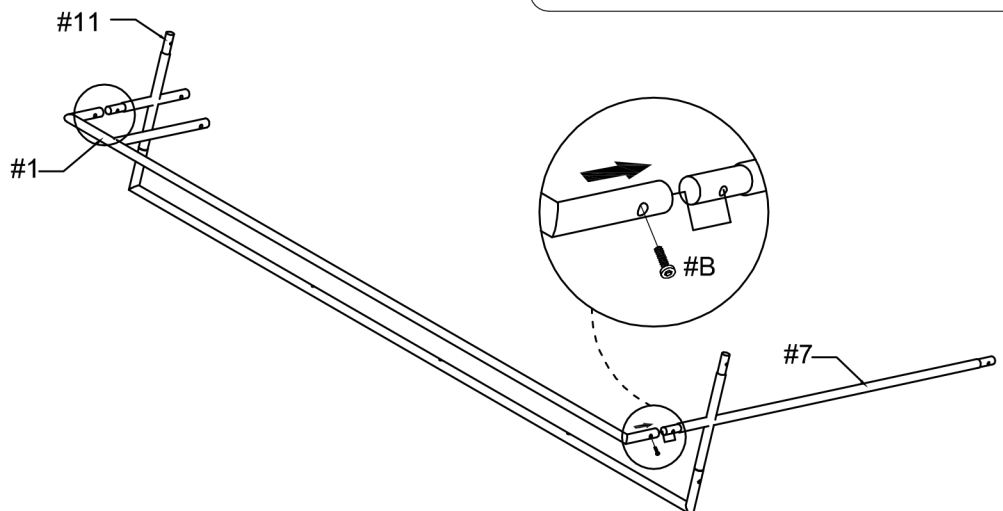


Note:
Do not fully tighten all bolts until assembly is complete. This will help all parts to assemble properly.

2

- Part #1 x1pc
- Hardware #B x2pcs
- Hardware #D x1pc

Align the right panel (#1) to bottom panel (#7) and top cross bar (#11), then secure by using bolts (#B) with washers (#D).



ASSEMBLY INSTRUCTIONS

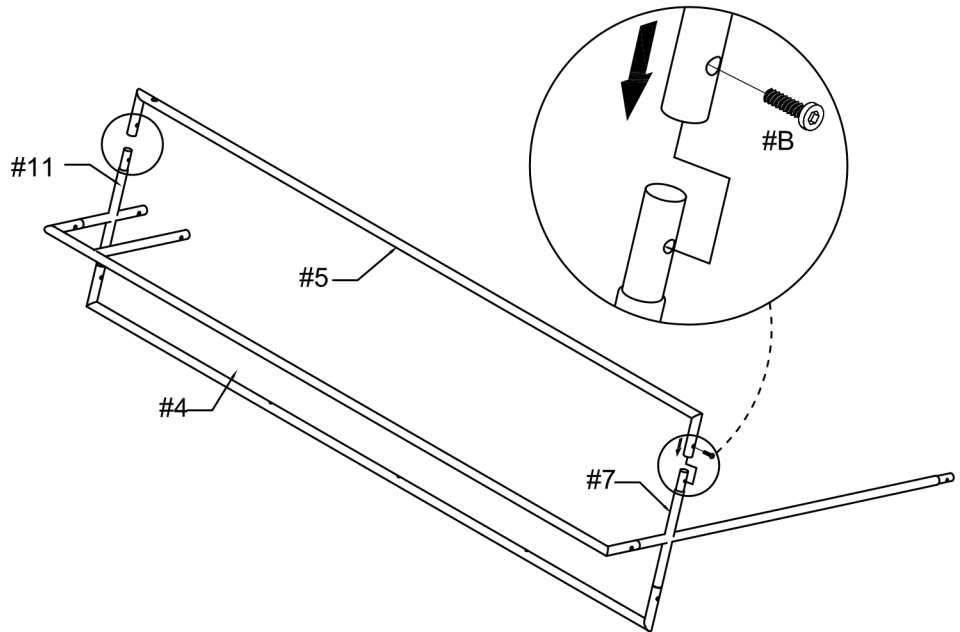
3

Part #5 x1pc

Hardware #B x2pcs

Hardware #D x1pc

Align the back panel (#5) to bottom panel (#7) and top cross bar (#11), then secure by using bolts (#B) with washers (#D).



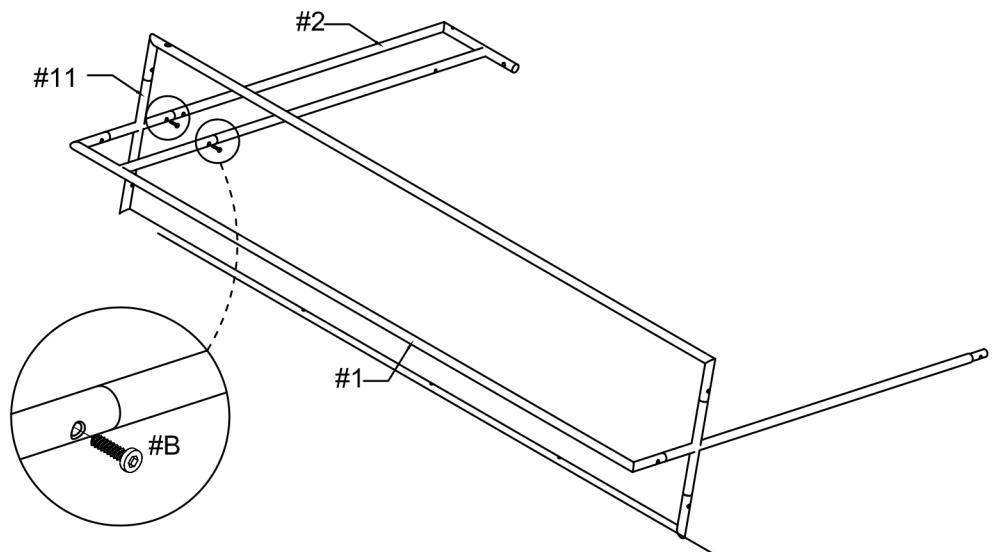
4

Part #2 x1pc

Hardware #B x2pcs

Hardware #D x1pc

Align the top panel (#2) to top cross bar (#11) and right panel (#1), then secure by using bolts (#B) with washers (#D).



ASSEMBLY INSTRUCTIONS

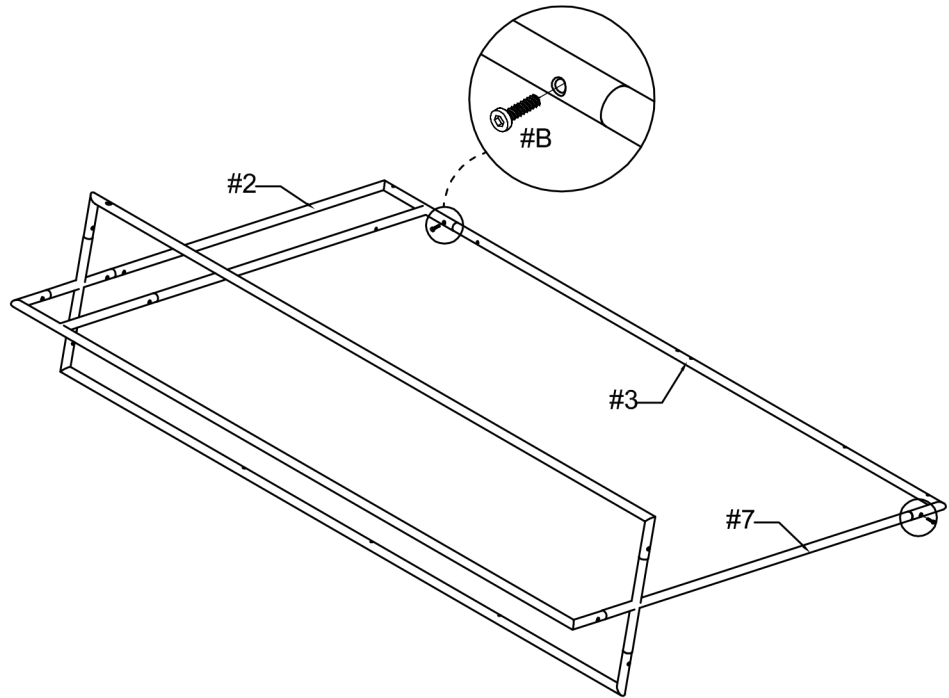
5

Part #3 x1pc

Hardware #B x2pcs

Hardware #D x1pc

Align the left panel (#3) to bottom panel (#7) and top panel (#2), then secure by using bolts (#B) with washers (#D).



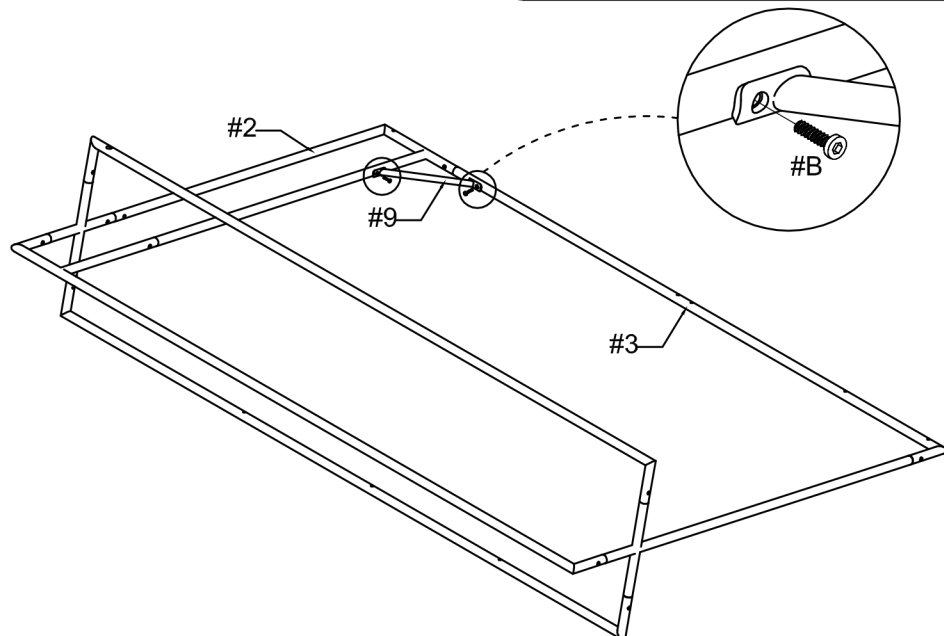
6

Part #9 x1pc

Hardware #B x2pcs

Hardware #D x1pc

Align the connected bar (#9) to top panel (#2) and left panel (#3), then secure by using bolts (#B) with washers (#D).

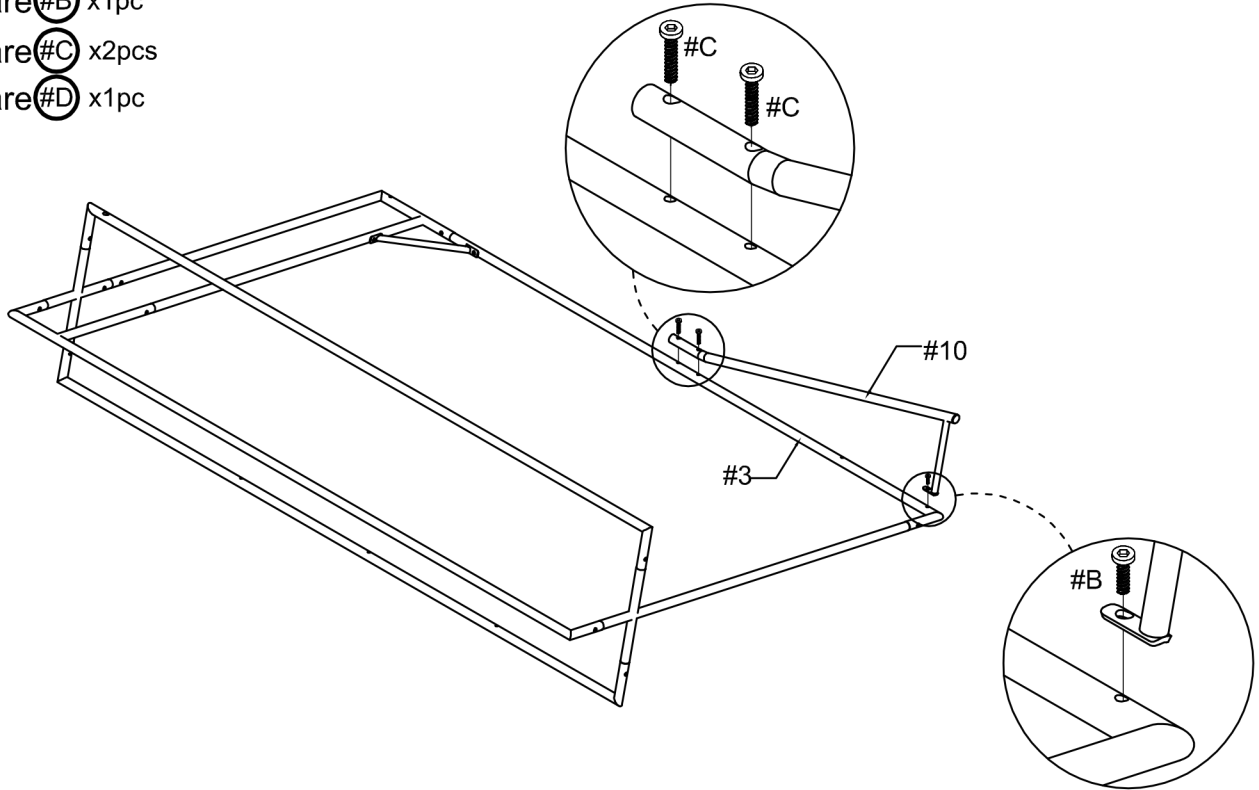


ASSEMBLY INSTRUCTIONS

7

- Part #10 x1pc
- Hardware #B x1pc
- Hardware #C x2pcs
- Hardware #D x1pc

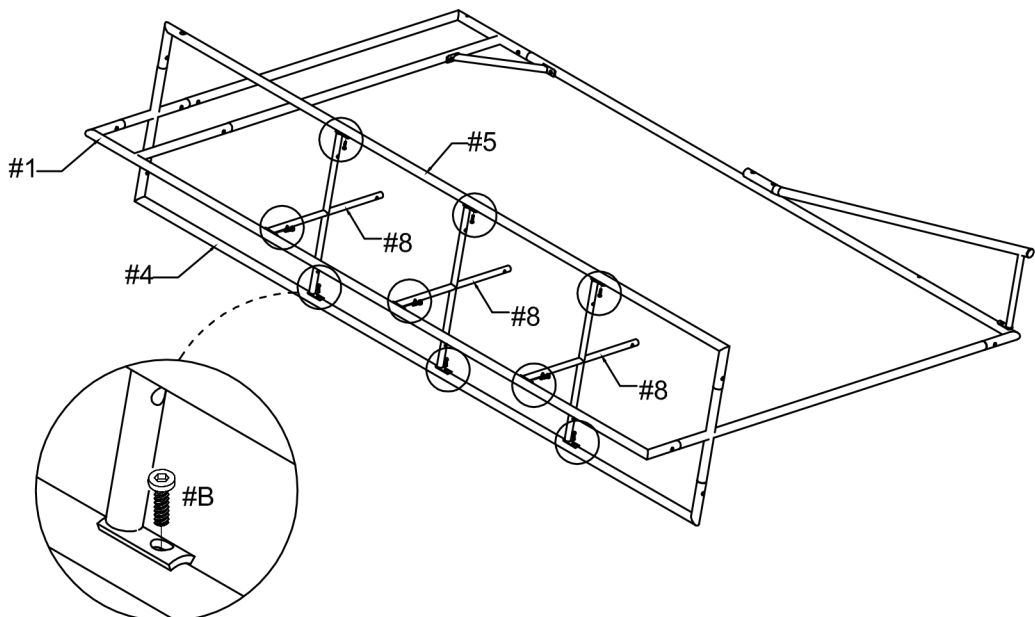
Align the support bar (#10) to left panel (#3), then secure by using bolts (#B, #C) with washers (#D).



8

- Part #8 x3pcs
- Hardware #B x9pcs
- Hardware #D x1pc

Align the shlef cross bars (#8) to panels (#1, #4, #5), then secure by using bolts (#B) with washers (#D).



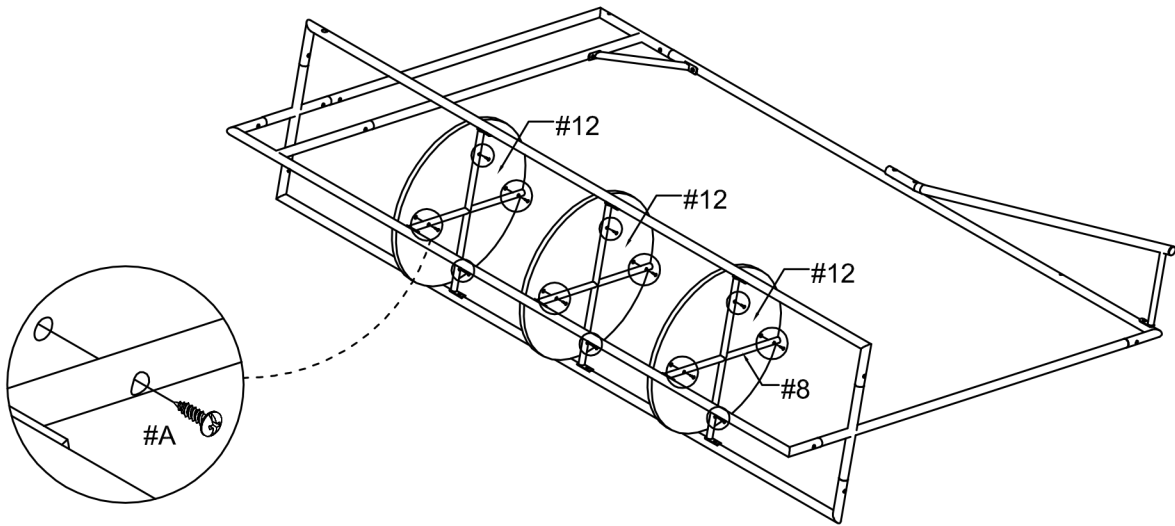
ASSEMBLY INSTRUCTIONS

9

Part #12 x3pcs

Hardware #A x12pcs

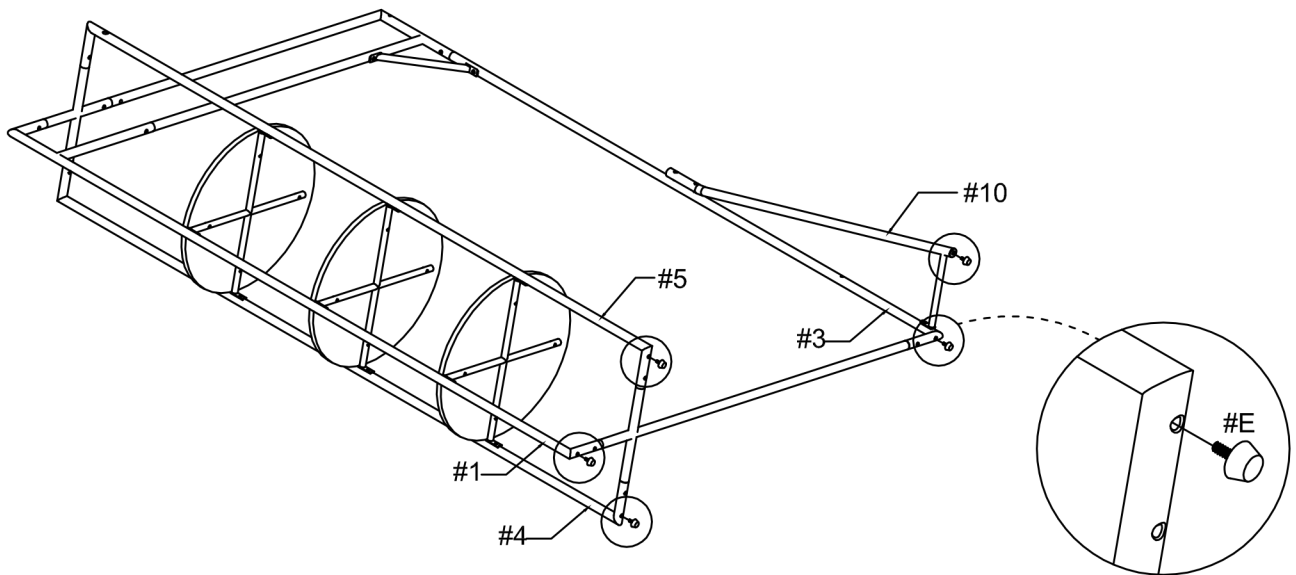
Align the shelf boards (#12) to shelf cross bars (#8), then secure by using screws (#A).



10

Hardware #E x5pcs

Align the levelers (#E) to panels (#1, #3, #4, #5) and support bar (#10).



ASSEMBLY INSTRUCTIONS

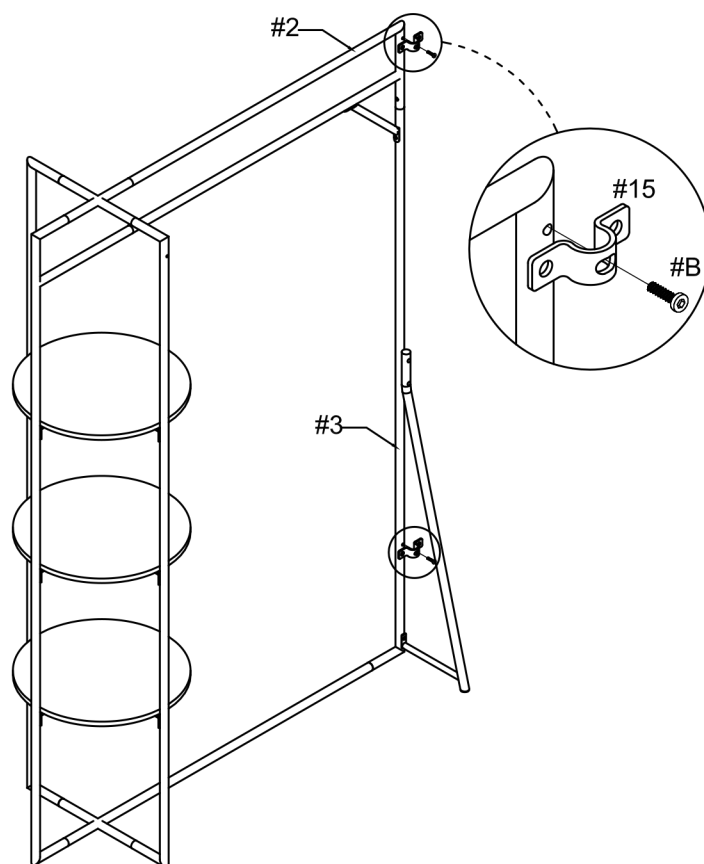
11

Part #15 x2pcs

Hardware #B x2pcs

Hardware #D x1pc

Align the bracket (#15) to panels (#2, #3), then secure by using bolts (#B) with washers (#D).



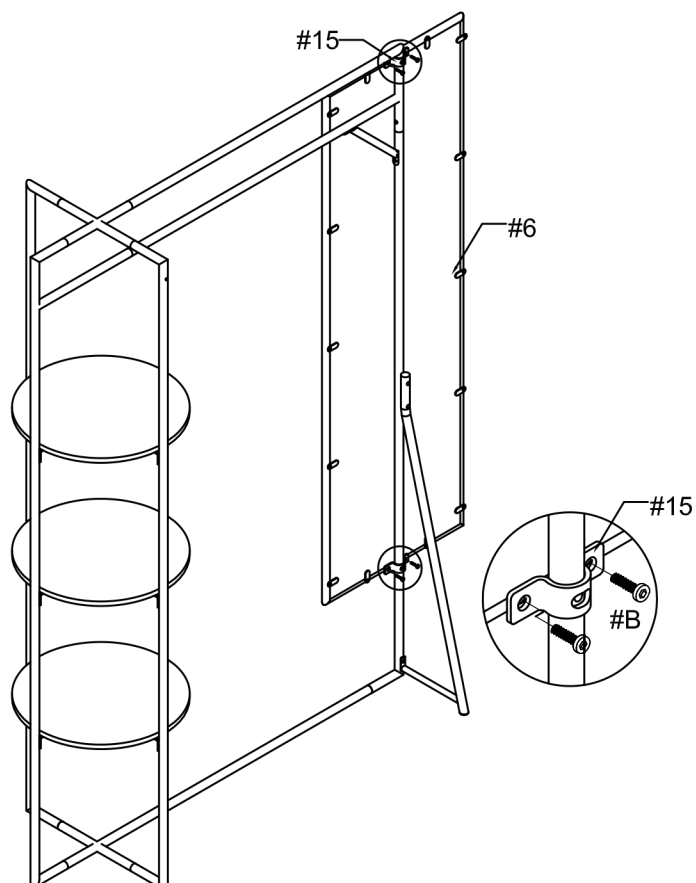
12

Part #6 x1pc

Hardware #B x4pcs

Hardware #D x1pc

Align the mirror (#6) to bracket (#15), then secure by using bolts (#B) with washers (#D).

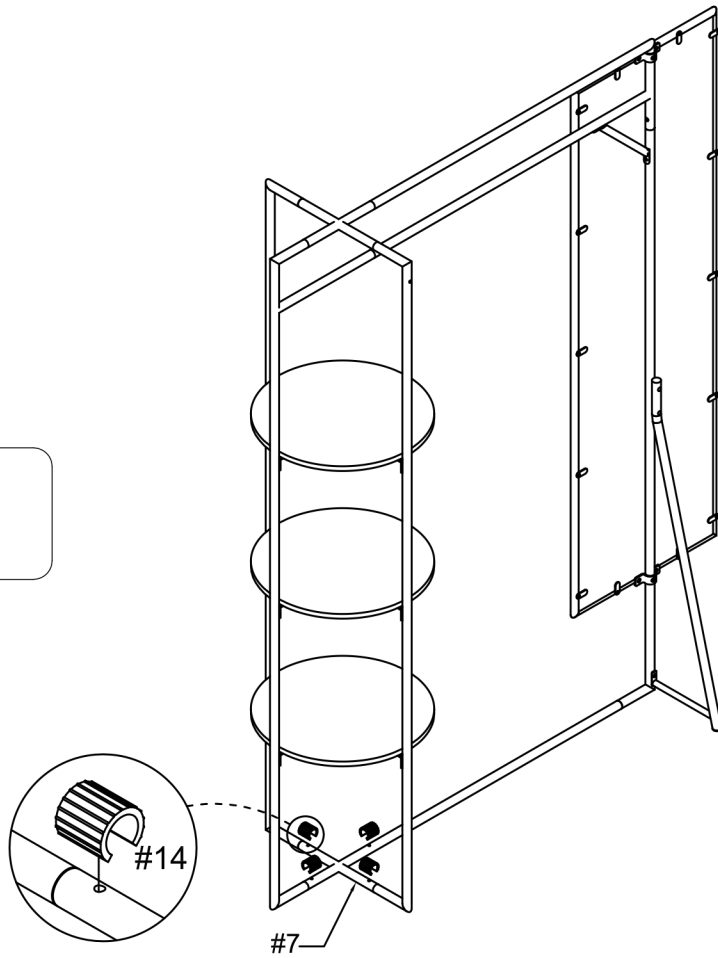


ASSEMBLY INSTRUCTIONS

13

Part #14 x4pcs

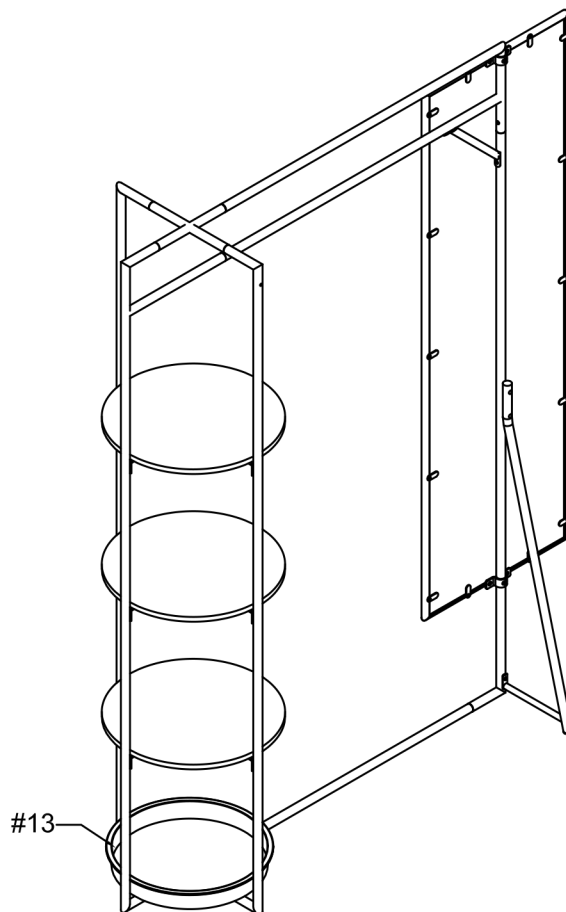
Align the plastic pad (#14) to bottom panel (#7).



14

Part #13 x1pc

Place the tray (#13).

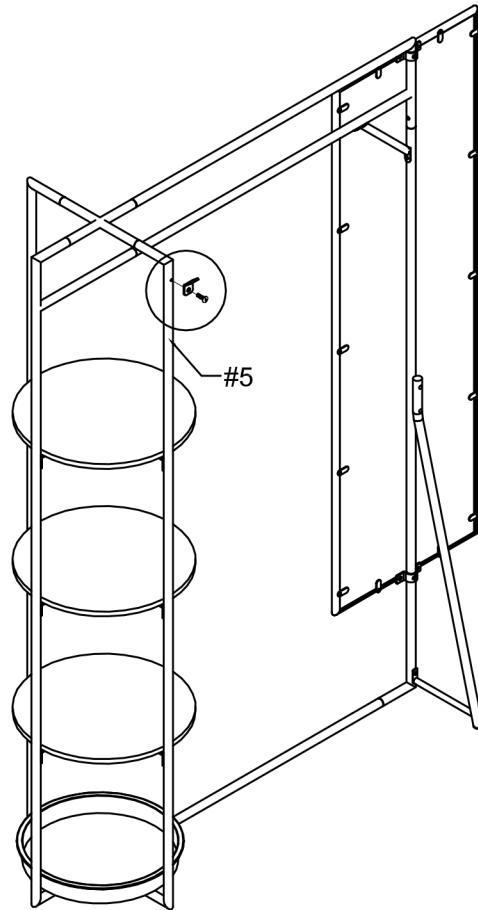
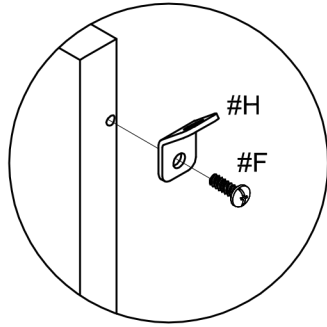


ASSEMBLY INSTRUCTIONS

15

Hardware **#F** x1pc

Hardware **#H** x1pc



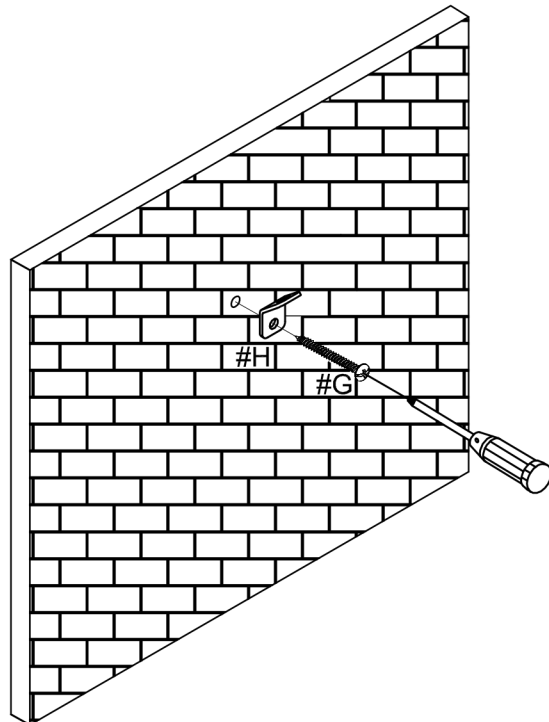
Align the bracket (**#H**) to back panel (**#5**), then secure by using bolts (**#F**), through the smaller hole.

16

Hardware **#G** x1pc

Hardware **#H** x1pc

Locate the bracket (**#H**) on the wall over a wall stud and 2 inches below the bracket (**#H**) secured to the back of coat stand. Attach the wall stud using the screw (**#G**) provided, through the smaller hole.

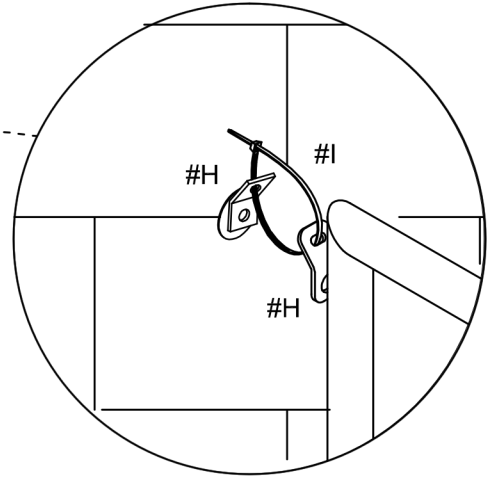
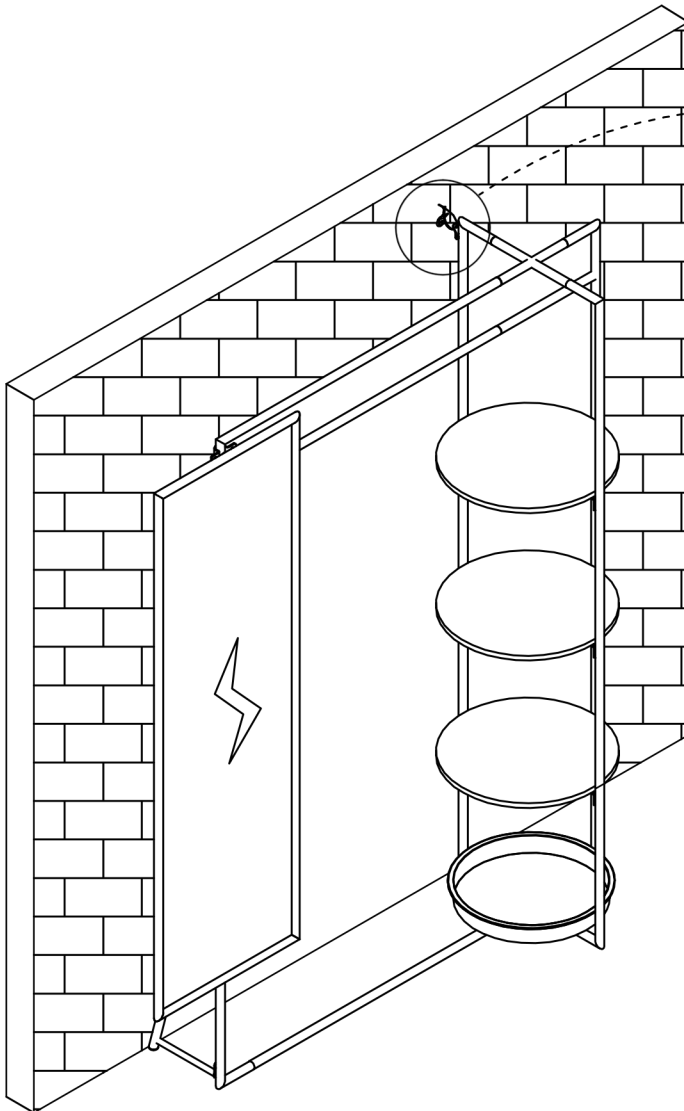


ASSEMBLY INSTRUCTIONS

17

Hardware  x1pc

Place the furniture into position so both brackets (#H) are vertically in line. Lace the end of the restraint strap through the larger hole in each bracket (#H). Bring both ends together and slide the flat end through the locking end and draw it through until all slack is removed. Confirm that the strap is securely laced and locked.



ASSEMBLY COMPLETED



Please ensure the furniture rests on an even and flat surface. If the product wobbles or feels loose, double-check all bolts and/or screws are properly tightened and secured.

**TO PREVENT TIP OVER
PRODUCT MUST BE
ATTACHED TO WALL**



Keep this handy!

Please retain this instruction manual and any order-related information for future reference.



Lift, don't drag!

To avoid damage to product please always LIFT the product when transporting or adjusting the placement.

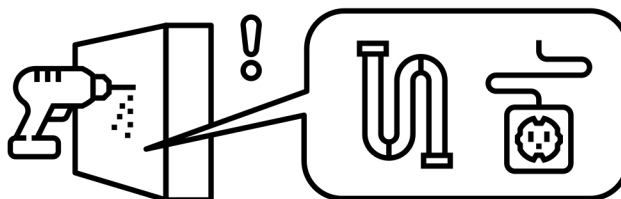
ASSEMBLY INSTRUCTIONS

Wall Mounting and Fixing



EXPANSION WALL ANCHOR

Our provided expansion wall anchors are only suitable for masonry walls, such as drywall, plaster or concrete, and are best for holding lightweight items or for anti-tip prevention. If you are unsure of the correct wall anchor to use with the product, please request professional guidance. Liability for product damage or failure due to using the incorrect anchors will fall on the installer.

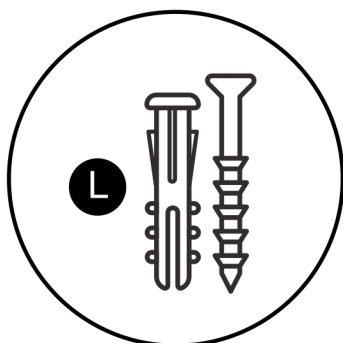


CHECK BEFORE PROCEEDING

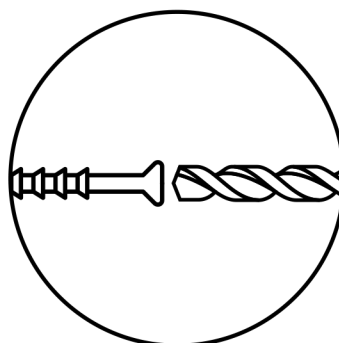
Prior to drilling or hammering, please check for wires or pipes. We recommend using a stud finder to locate a stud, which will offer more appropriate resistance and hold more weight.

QUICK TIPS

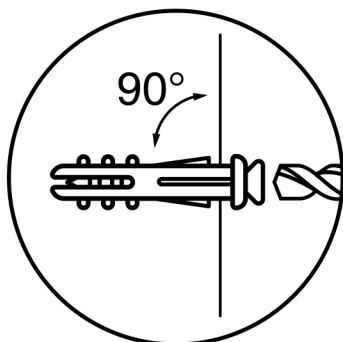
1. If unsure of the proper size, always choose a larger screw and wall anchor.



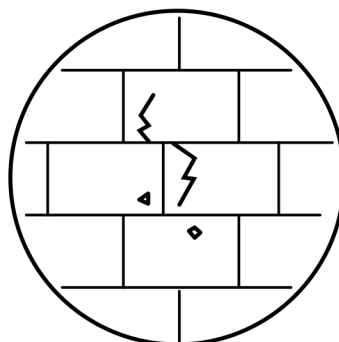
2. Match the drill bit to the wall anchor and hole size.



3. Only drill horizontally. Do not force the drill or enlarge the hole for the wall anchor.



4. Take extra care when drilling into high walls or ceramic tiles. Wall anchors should be a tight fit for the hole. Never use wall anchors in ceilings.



MAINTENANCE



We recommend a yearly check to see if the wall anchor or screw has loosened. If so, please remove the existing wall anchor and screw, and use a new anchor.