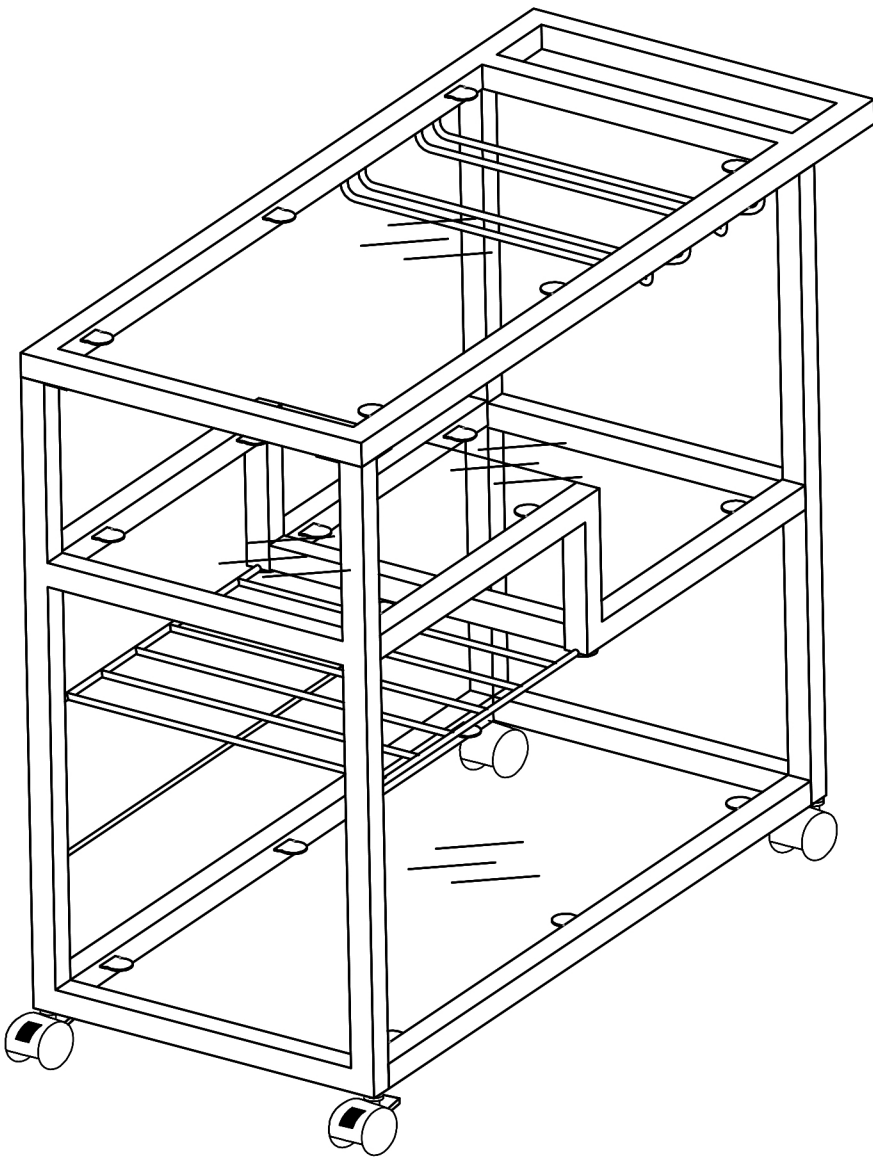


ASSEMBLY INSTRUCTIONS



TOOLS REQUIRED



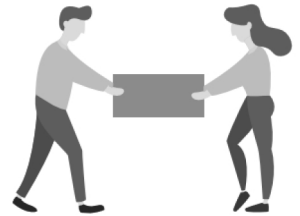
Allen Wrench

(Included)



**Phillips
Screwdriver**

(Not Included)



**2 - Persons
Recommended**

ASSEMBLY RATING



EASY —————> DIFFICULT

The Assembly Rating is a 5-point system showing the level of effort needed to assemble a specific product.



CHECK BEFORE STARTING



Are you missing anything?

Double-check all parts, hardware and accessories listed on Page 6 are accounted for.



Check out our Quick Tips!

We recommend reviewing the pre-assembly handouts. Even experts need a refresher now and then!



Should we send any replacements?

Are there any irregularities or flaws in the parts? We can send replacements!

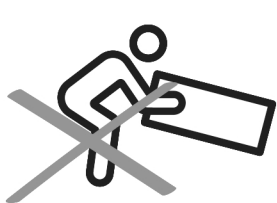


Prep Time!

Please review the assembly instructions and all diagrams prior to assembling. Arrange parts as recommended on Page 7 and group identical hardware together to make assembling easier.

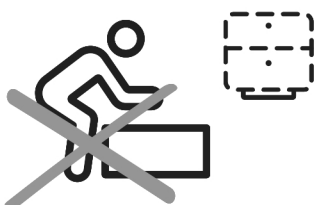
PRE ASSEMBLY INTRODUCTION

We understand building ready-to-assemble furniture can be a challenging experience for some. To help avoid confusion, we have provided some helpful tips that may speed up the process.



Teamwork

ALWAYS have at least two people to help with transporting and assembling the product to avoid potential injury and/or damage.



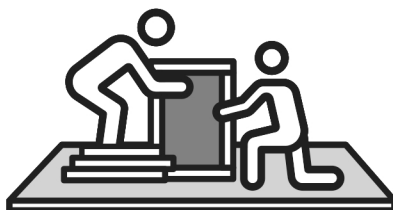
Suitable Location

Assembling near the area of the intended location is highly recommended.



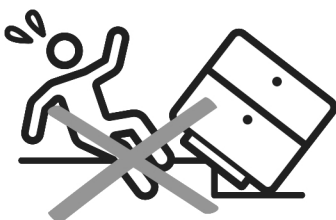
Sufficient Space

Make sure you have enough space to move around during the assembly.



Avoid Scratches

Use cardboard, blankets or a carpeted area while assembling furniture to prevent scratches.



Flat Surface

Make sure the furniture rests on a flat and level surface with each leg evenly touching the floor.

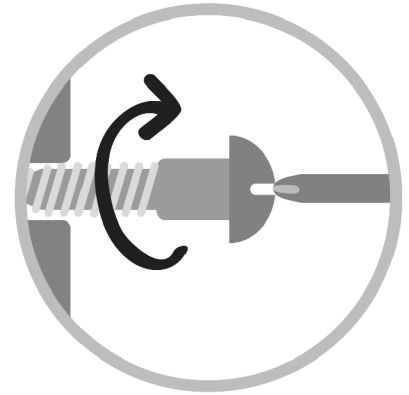
ASSEMBLY AND CARE ADVICE



FAILURE TO FOLLOW THE GUIDELINES BELOW MAY RESULT IN INJURY AND/OR PROPERTY DAMAGE.



Position each part correctly and insert screws or bolts into their respective holes.



Turn clockwise to tighten and only tighten when step is completed or when instructed to do so.



Use the appropriate hand tools or power tools for assembly. Select steps, such as tightening screws and/or bolts, may require hand tools to avoid causing damage during assembly.



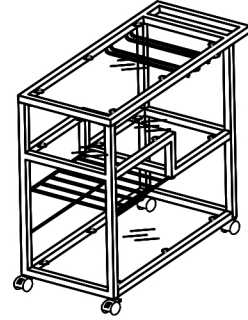
Save the instructions and store any supplied tools for later maintenance.



After two weeks, check and tighten any loose hardware and repeat again every six months thereafter.

IT IS THE USER'S RESPONSIBILITY TO MAINTAIN THE FURNITURE. THE HARDWARE MAY LOOSEN OVER TIME AND MAY CAUSE THE FURNITURE TO BE WOBBLY AND UNABLE TO SUPPORT ITS INTENDED WEIGHT CAPACITY. THIS MAY LEAD TO COLLAPSE AND MAY CAUSE SERIOUS INJURY.

SERVING CART



Due to the size and/or weight of this product, it is highly recommended that the assembly should be done near the area of its intended location. Make sure you have enough space to move around during the assembly.

Always have at least two people to help with transporting and assembling the product to avoid any potential injury and/or damage.



- Please keep instructions for future reference.
- Check the quantity and irregularity of parts and hardware before you start.

PARTS

#1 1pc



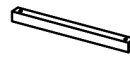
Stretcher 1

#2 1pc



Stretcher 2

#3 1pc



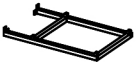
Crossbar 3

#4 1pc



Black Frame

#5 1pc



Front Frame

#6 1pc



Top Frame

#7 1pc



Shelf

#8 1pc



Top Glass

#9 1pc



Shelf Glass A

#10 1pc



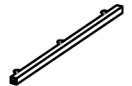
Shelf Glass B

#11 1pc



Bottom Glass

#12 2pcs



Bottom Stretcher

#13 2pcs



Caster

#14 2pcs



Caster w/Brake

HARDWARE

#A 18pcs



Bolt 1/4 x 12mm

#B 20pcs



Glass Tip

#C 4pcs



End Cap

#D 1pc



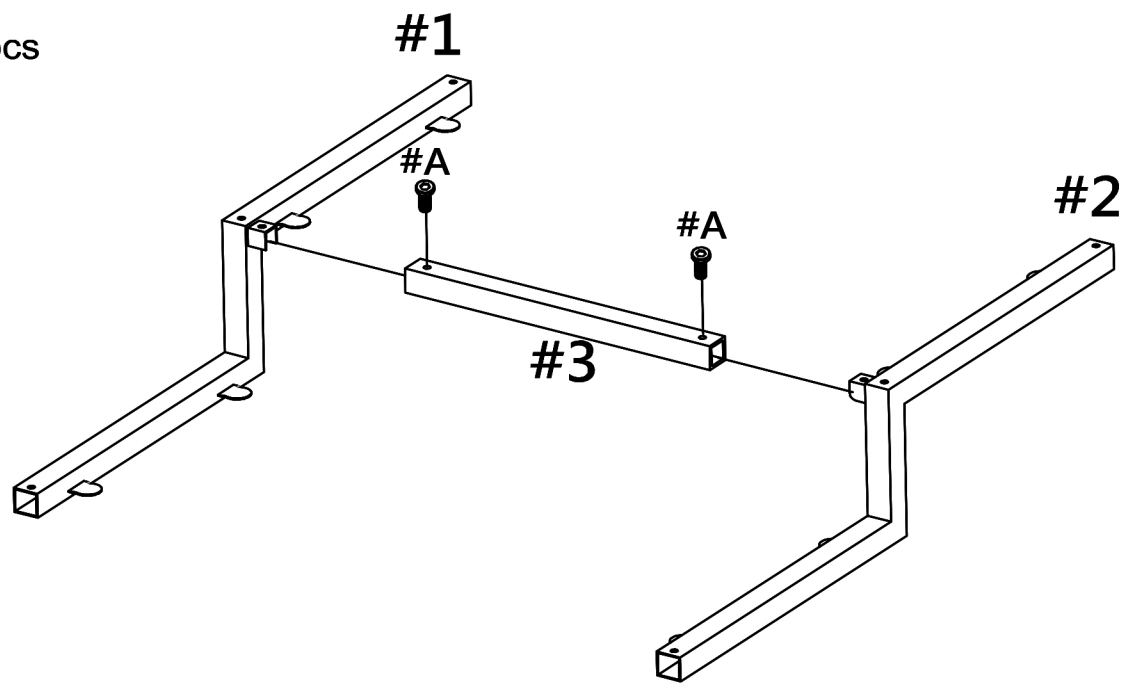
Allen Key

ASSEMBLY INSTRUCTIONS

1

- Part (#1) x1pc
- Part (#2) x1pc
- Part (#3) x1pc
- Hardware (#A) x2pcs

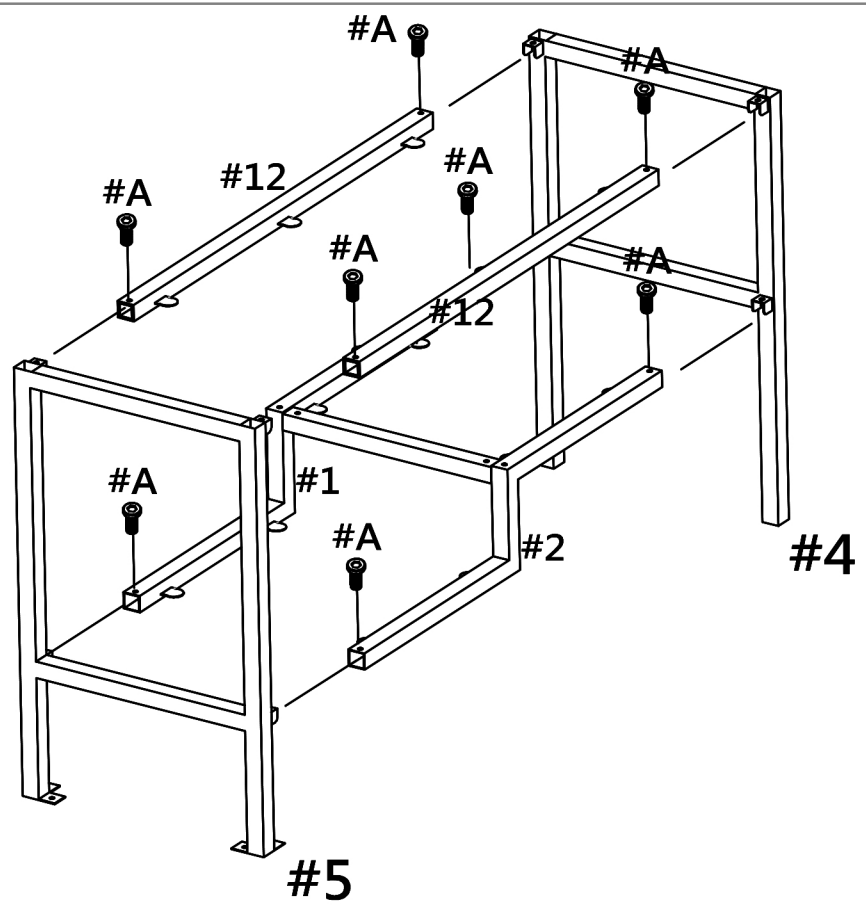
Align crossbar (#3) to the holes of the stretchers (#1,2).
Secure by using bolts (#A).



2

- Part (#4) x1pc
- Part (#5) x1pc
- Part (#12) x2pcs
- Hardware (#A) x8pcs

Align stretchers (#1,2,12) to the holes of the back and front frames (#4,5).
Secure by using bolts (#A).

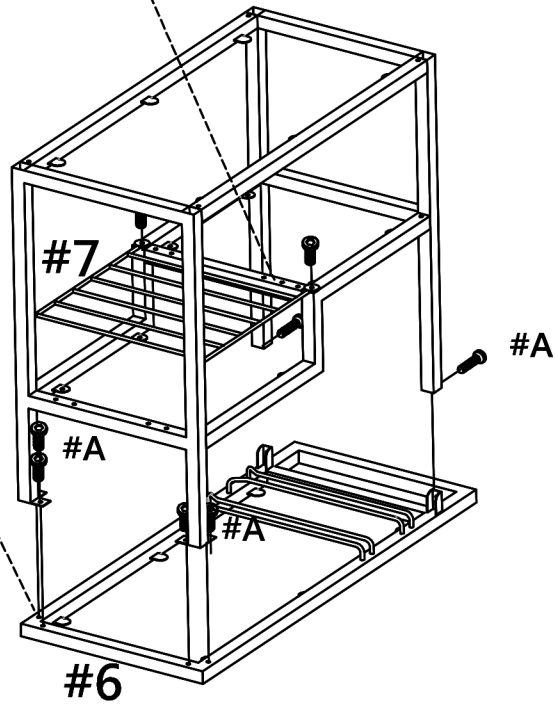


ASSEMBLY INSTRUCTIONS

3

Part #6 x1pc
Part #7 x1pc
Hardware #A x8pcs

1) Align shelf (#7) to the holes of the stretchers (#1,2).
Secure by using bolts (#A).

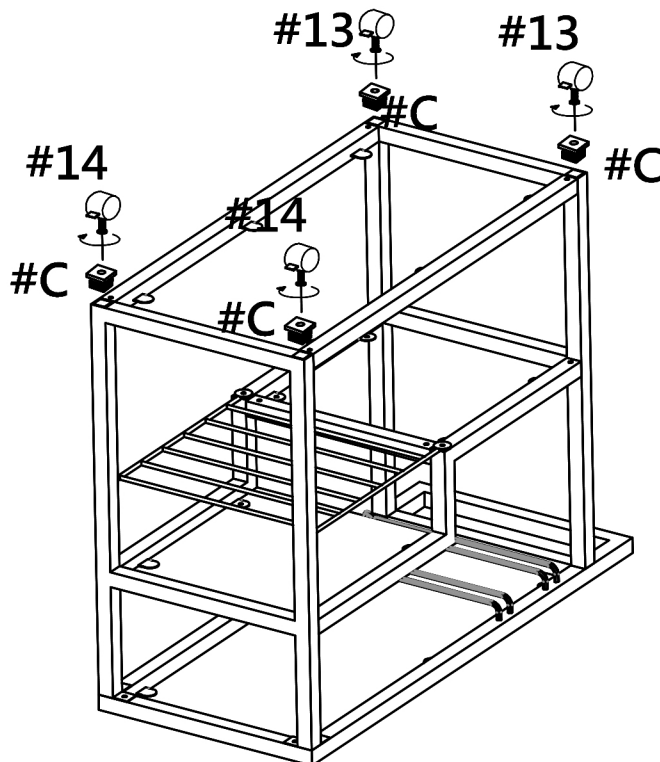


2) Align the frame to the holes of the top frame (#6), then secure by using bolts (#A).

4

Part #13 x2pcs
Part #14 x2pcs
Hardware #C x4pcs

Insert end caps (#C) to the holes of the frame, then secure wheels (#13,14) to the end caps (#C) inside the frame.



ASSEMBLY INSTRUCTIONS

5

Stick glass pads (#B) to the tabs of the product, then carefully place glass (#8,9,10,11) to the appropriate tabs with glass pads.

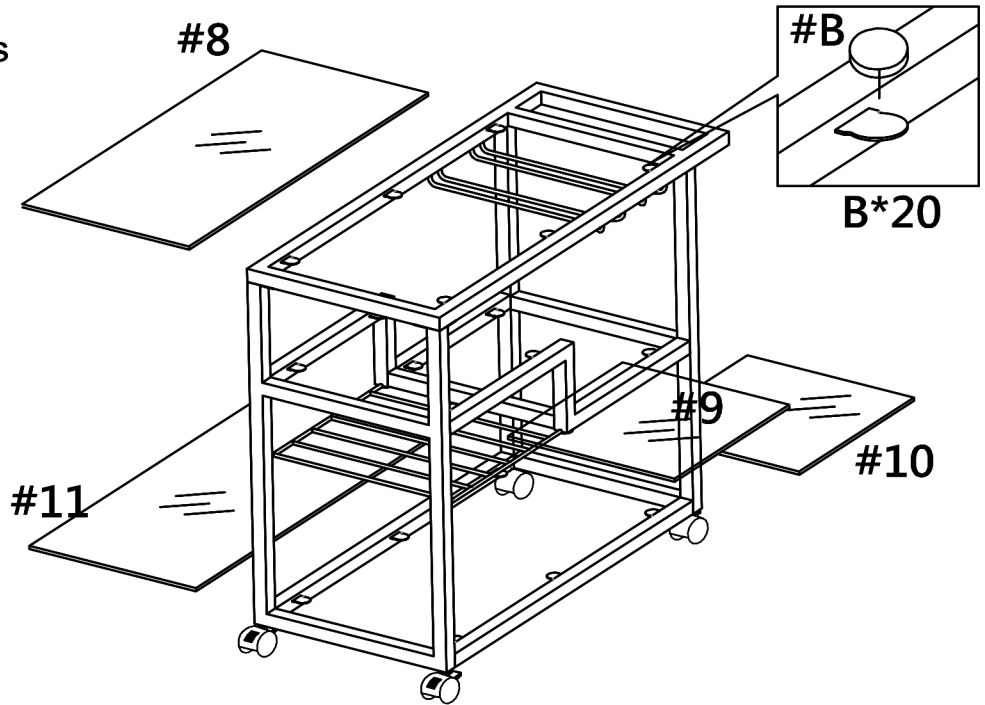
Part (#8) x1pc

Part (#9) x1pc

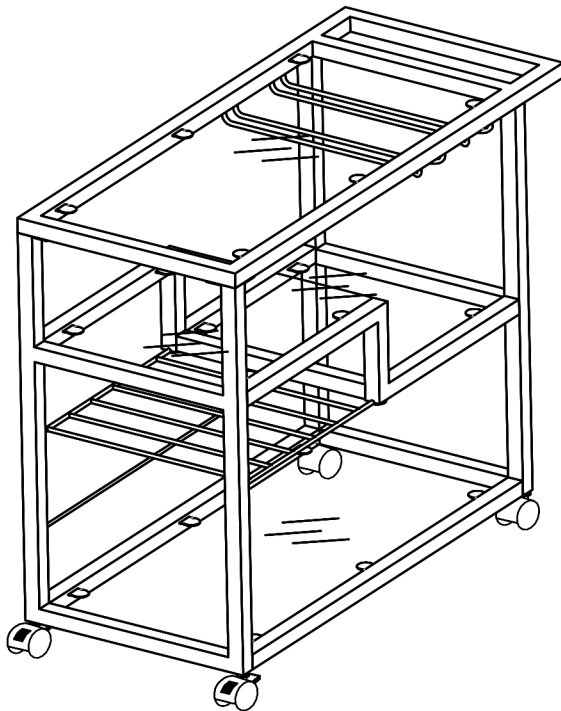
Part (#10) x1pc

Part (#11) x1pc

Hardware (#B) x20pcs



6



ASSEMBLY COMPLETED



Please ensure the furniture rests on an even and flat surface. If the product wobbles or feels loose, double-check all bolts and/or screws are properly tightened and secured.



Keep this handy!

Please retain this instruction manual and any order-related information for future reference.