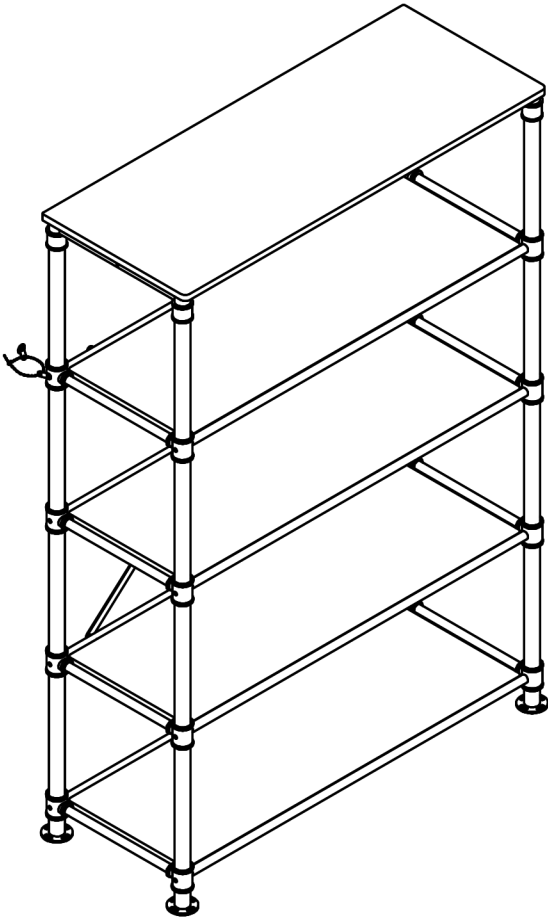


Assembly Instructions

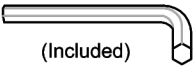


ASSEMBLY RATING

The Assembly Rating is a 5-point system that shows the degree of effort needed in assembling a specific product (with 1 being easy and 5 being difficult). For some products, two persons are recommended.

Tools Required For Assembly:

Allen Wrench



(Included)

Phillips Screwdriver



(Not Included)

EASY



DIFFICULT

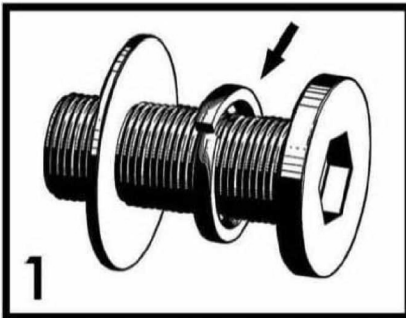


2 PERSONS RECOMMENDED

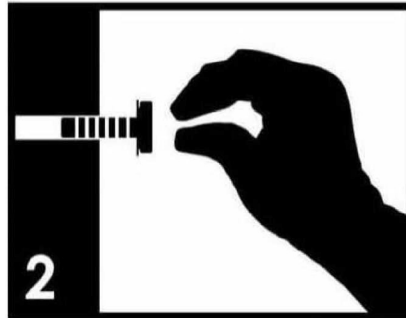
ASSEMBLY & CARE ADVICE

FOR YOUR FURNITURE TO LAST, CORRECT ASSEMBLY AND PROPER MAINTENANCE ARE NECESSARY. PLEASE FOLLOW THE INFORMATION PROVIDED BELOW TO FULLY ENJOY YOUR FURNITURE.

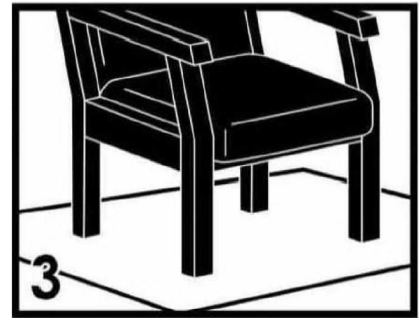
BASIC ASSEMBLY TECHNIQUES



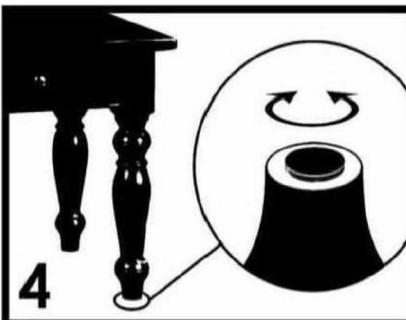
When lock or spring washer is used in an assembly, please make sure the lock or spring washer is placed between the larger flat washer and the head of the screw or bolt.



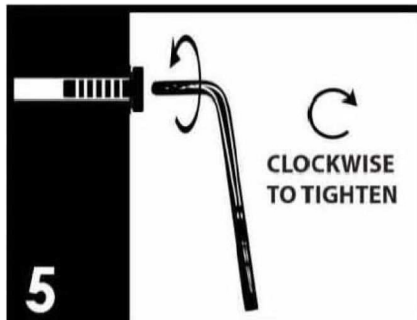
Position each part correctly and insert screws or bolts into their respective holes by hand tighten or using the proper hand tool. Only tighten when step is completed or when instructed to do so.



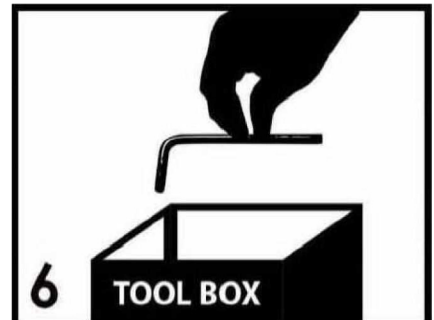
Use cardboard or carpet area when assembling furniture to prevent scratches. Make sure the furniture rests on a flat and level surface with each leg evenly touching the floor.



Some furniture comes with height adjustment knobs underneath each leg. To lower or to raise each leg, you need to turn clockwise or counterclockwise, respectively.



Make sure all parts are properly aligned, then use the appropriate hand tool to completely tighten the bolts or screws. Do not use power tools and do not overtighten.

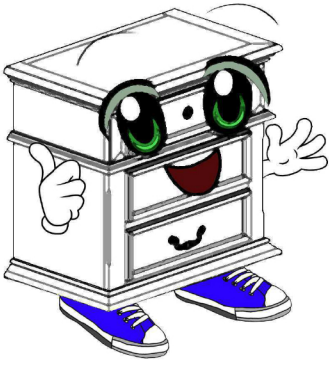


Save the instructions and store the Allen wrench or any supplied tool for later maintenance. After two weeks, check and tighten any loose hardware and repeat again every six months thereafter.

IT IS THE USER'S RESPONSIBILITY TO MAINTAIN THE FURNITURE. THE HARDWARE MAY LOOSEN OVER TIME AND MAY CAUSE THE FURNITURE TO BE WOBBLY AND UNABLE TO SUPPORT ITS INTENDED WEIGHT CAPACITY. THIS MAY LEAD TO COLLAPSE AND MAY CAUSE SERIOUS INJURY.



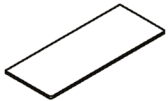
FAILURE TO FOLLOW THE GUIDELINES ABOVE MAY RESULT IN INJURY AND/OR PROPERTY DAMAGE.



Before you begin, please read Page 2 of "Assembly and Care Advice".

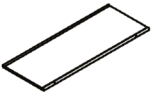
And remember, do not tighten until each step is completed or instructed.

Parts List



#1 x 1pc

Top Wood



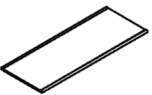
#2 x 2pcs

Upper or lower Shelf



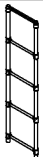
#3 x 1pc

Middle Shelf



#4 x 1pc

Bottom Wood



#5 x 2pcs

Side Frame



#6 x 1pc

Top Support tube



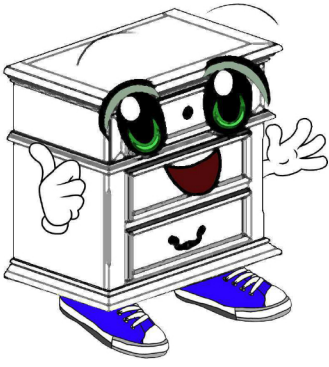
#7 x 2pcs

Back Strengthen Plate



#8 x 4pcs

Adjust Foot



Before you begin, please read Page 2 of "Assembly and Care Advice".

And remember, do not tighten until each step is completed or instructed.

Hardware List



#A x 16pcs
Bolt 1/4" X 3"



#B x 7pcs
Bolt 1/4" X 1-3/8"



#C x 5pcs
Bolt 1/4" X 5/8"



#D x 5pcs
Washer



#E x 4pcs
Floor Protector



#F x 1pc
Allen Wrench M4



#G x 1pc
Screw M4 X 37



#H x 2pcs
Metal plate



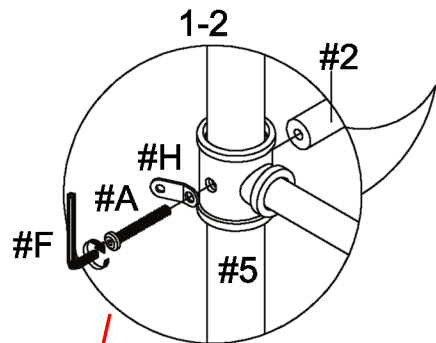
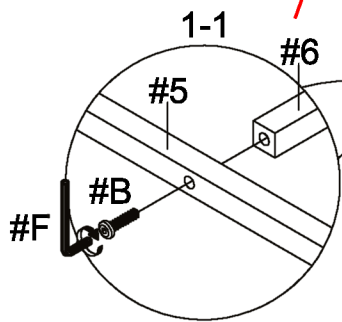
#I x 1pc
Anchor



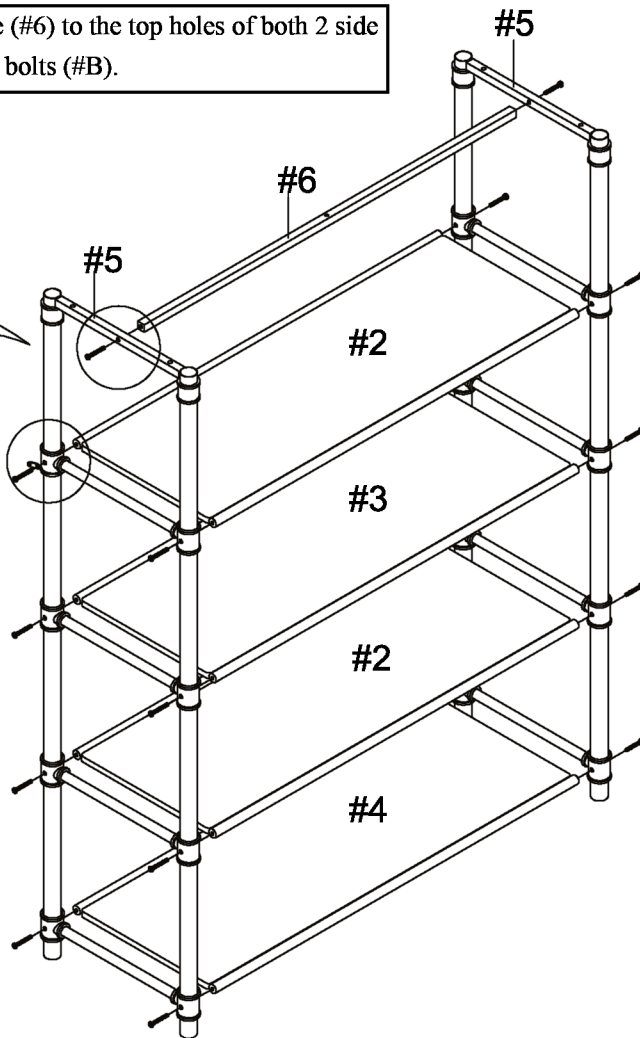
#J x 1pc
Girding



1) Align top support tube (#6) to the top holes of both 2 side frames (#5). Secure with bolts (#B).



2) Align the shelves (#2,3,4) to the holes of the side frames (#5) as shown in the picture. Secure with bolts (#A).

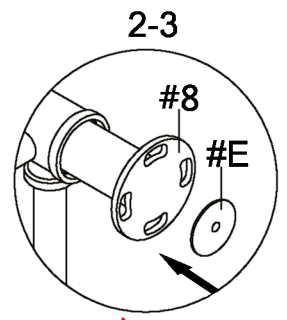
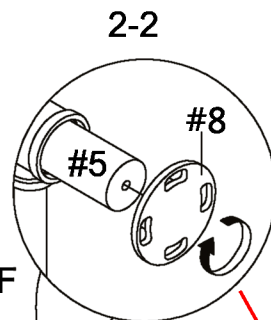
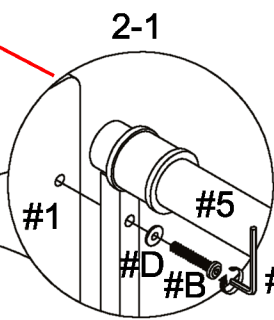


#A x 16pcs
#B x 2pcs
#H x 1pc

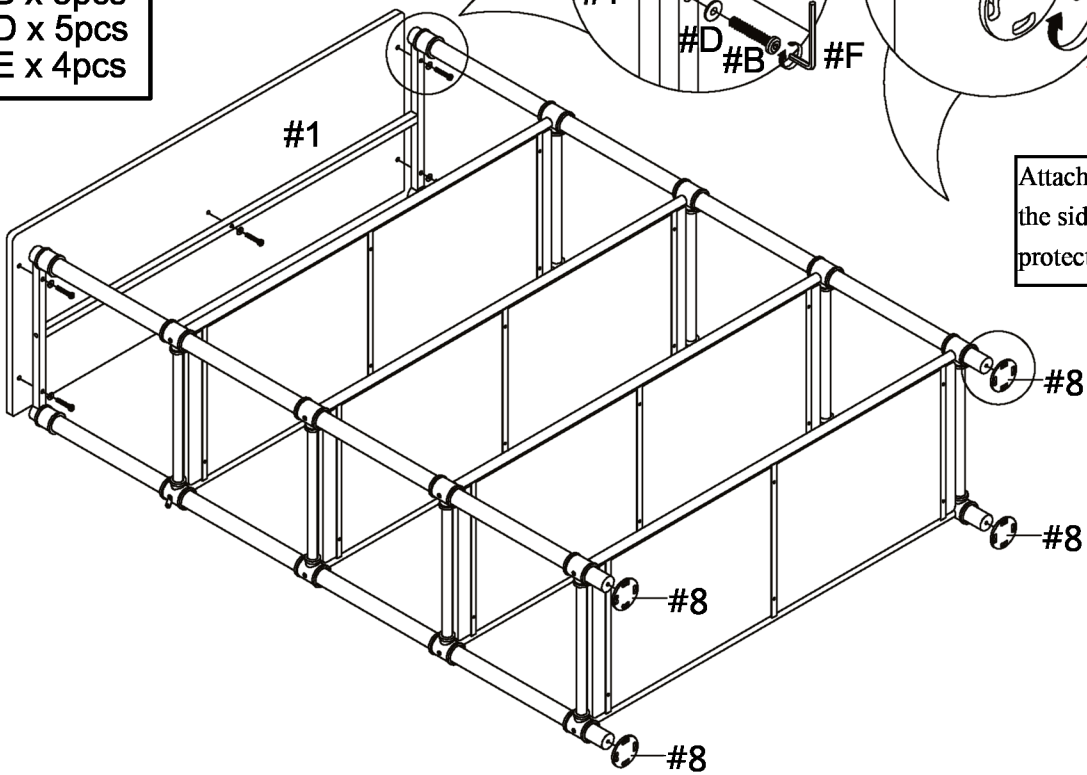


1) Align top shelf (#1) to the holes of the side frames (#5). Secure with bolts (#B) with a flat washer (#D).

#B x 5pcs
#D x 5pcs
#E x 4pcs



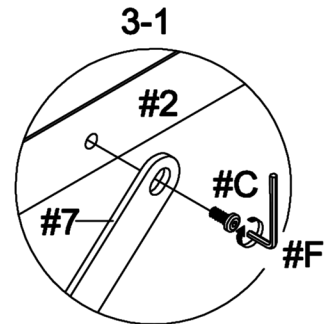
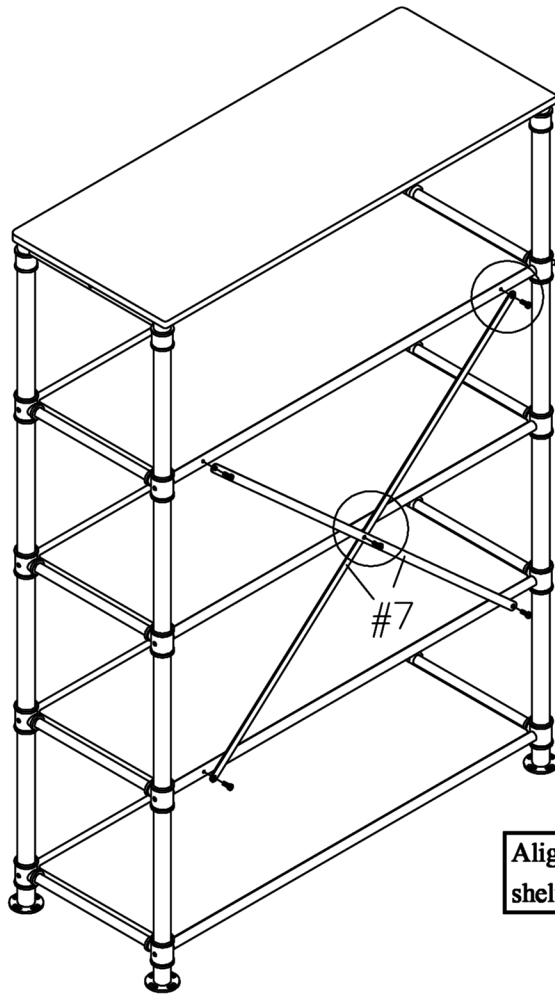
Attach adjust foot (#8) to the end of the side frames (#5), then place floor protectors onto adjust foot (#8).



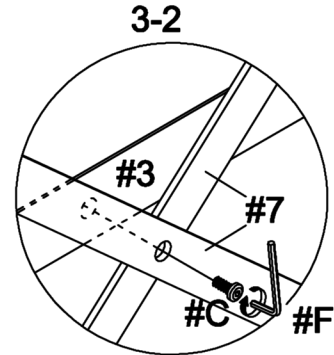


#3

#C x 5pcs



3-1



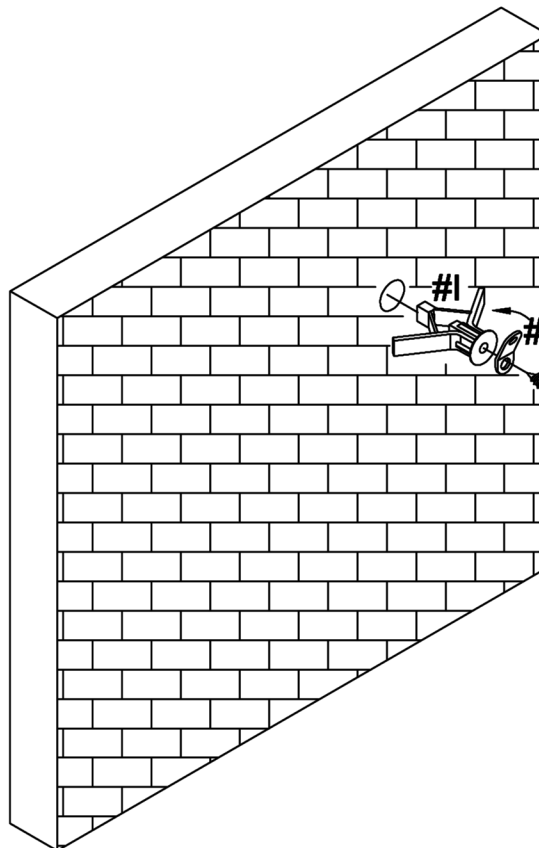
3-2

Align back strengthen plates (#7) to the holes of the shelves (#2,3), then secure with bolts (#C).



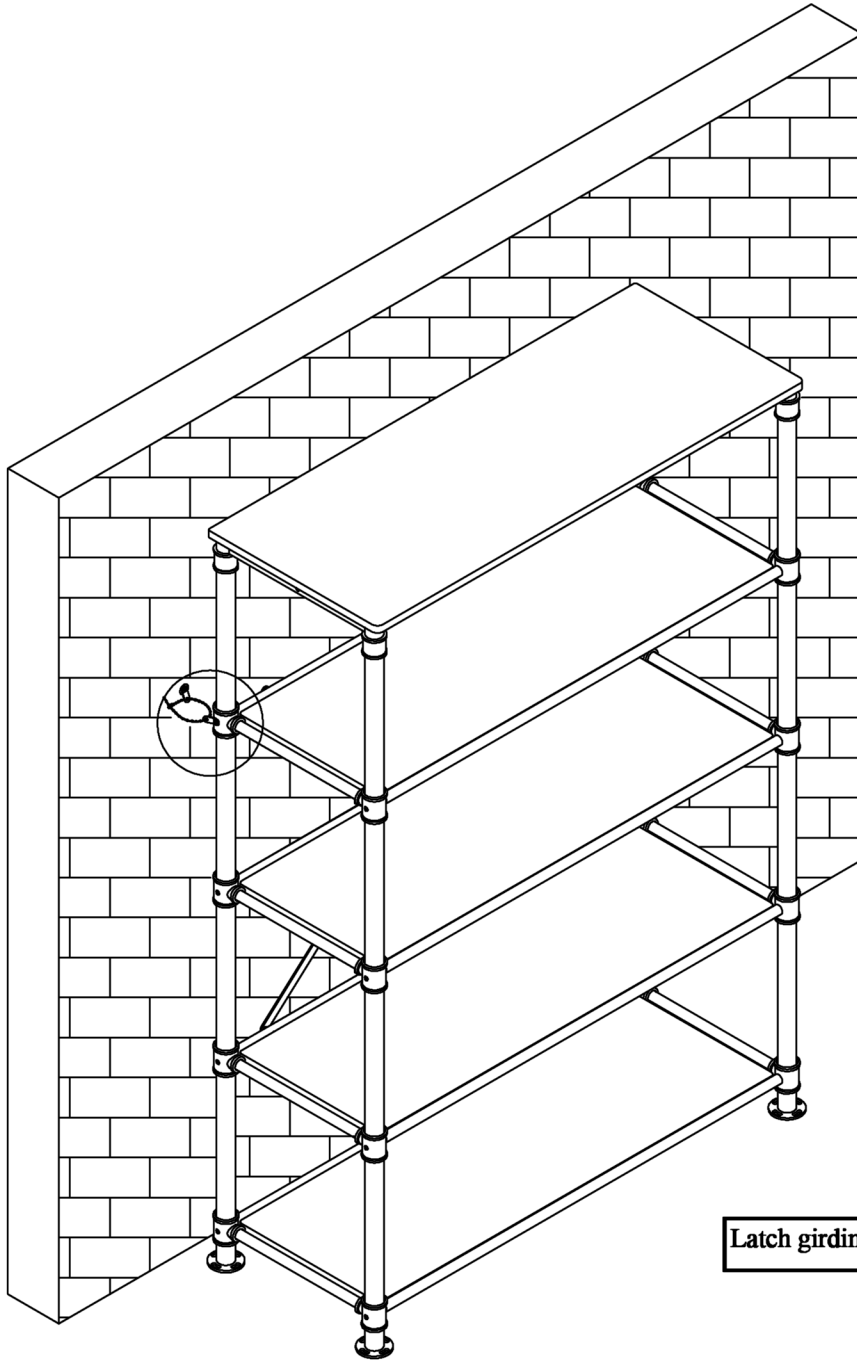
#4

To prevent tipping or fall of the product, place anchor (#I) to a tight fit hole on the wall. Attach metal plate (#H) with screws (#G) to the anchor (#I).



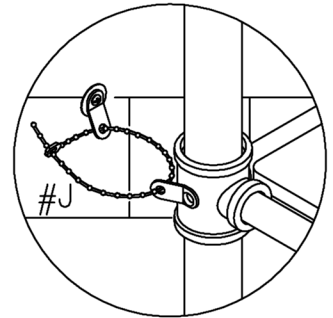
#G x 1pc
#H x 1pc
#I x 1pc

SCREWDRIVER
(NOT PROVIDED)



#J x 1pc

To Prevent Tip over
Product Must Be
Attached To Wall



Latch girdering (#J) to both metal plates.