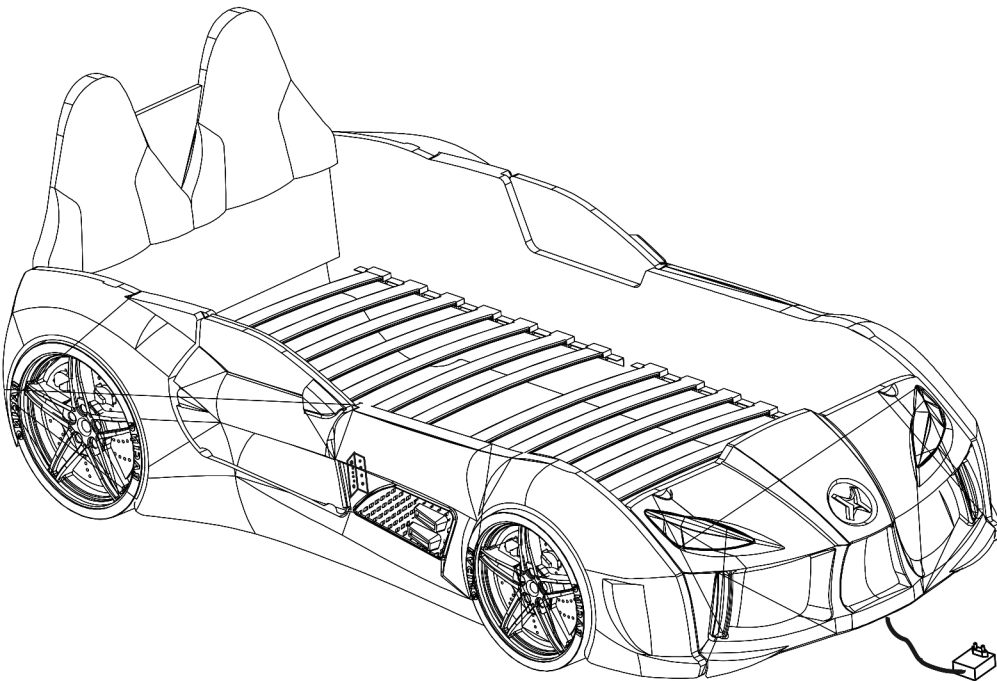
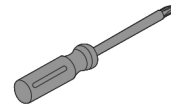


# ASSEMBLY INSTRUCTIONS

---



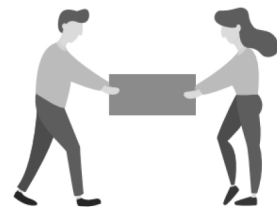
## TOOLS REQUIRED



**Screwdriver**  
(Not included)



**Mallet**  
(Not included)



**2 - People**  
Recommended

## ASSEMBLY RATING



EASY —————> DIFFICULT

The Assembly Rating is a 5-point system showing the level of effort needed to assemble a specific product.



## **CHECK BEFORE STARTING**

### **Are you missing anything?**

Double-check all parts, hardware and accessories listed are all accounted for.

### **Should we send any replacements?**

Are there any irregularities or flaws in the parts? We can send replacements!

### **Check out our Quick Tips!**

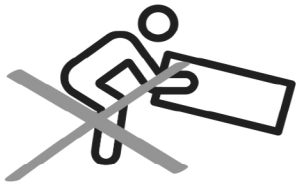
We recommend reviewing the pre-assembly handouts. Even experts need a refresher now and then!

### **Prep Time!**

Please review the assembly instructions and all diagrams prior to assembling.

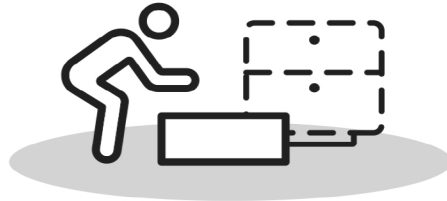
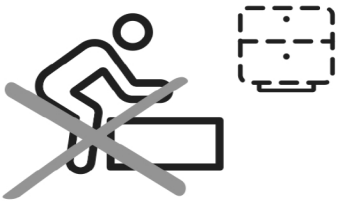
# PRE ASSEMBLY INTRODUCTION

We understand building ready-to-assemble furniture can be a challenging experience for some. To help avoid confusion, we have provided some helpful tips that may speed up the process.



## Teamwork

ALWAYS have at least two people to help with transporting and assembling the product to avoid potential injury and/or damage.



## Suitable Location

Assembling near the area of the intended location is highly recommended.



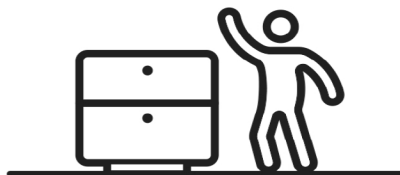
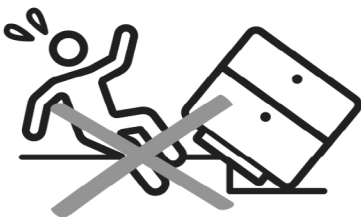
## Sufficient Space

Make sure you have enough space to move around during the assembly.



## Avoid Scratches

Use cardboard, blankets or a carpeted area while assembling furniture to prevent to prevent scratches and damages.



## Flat Surface

Make sure the furniture rests on a flat and level surface with each leg evenly touching the floor.

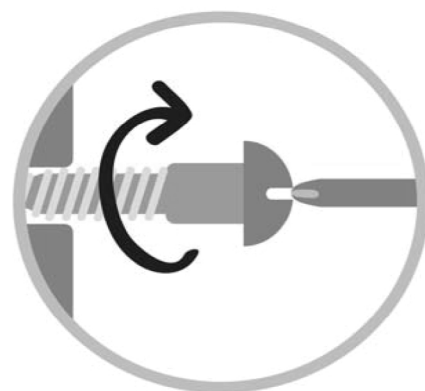
# ASSEMBLY AND CARE ADVICE



**FAILURE TO FOLLOW THE GUIDELINES BELOW MAY RESULT IN INJURY AND/OR PROPERTY DAMAGE.**



Position each part correctly and insert screws or bolts into their respective holes.



Turn clockwise to tighten and only tighten when step is completed or when instructed to do so.



Use the appropriate hand tools or power tools for assembly. Select steps, such as tightening screws and/or bolts, may require hand tools to avoid causing damage during assembly.



Save the instructions and store any supplied tools for later maintenance.

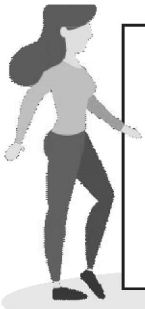


After two weeks, check and tighten any loose hardware and repeat again every six months thereafter.

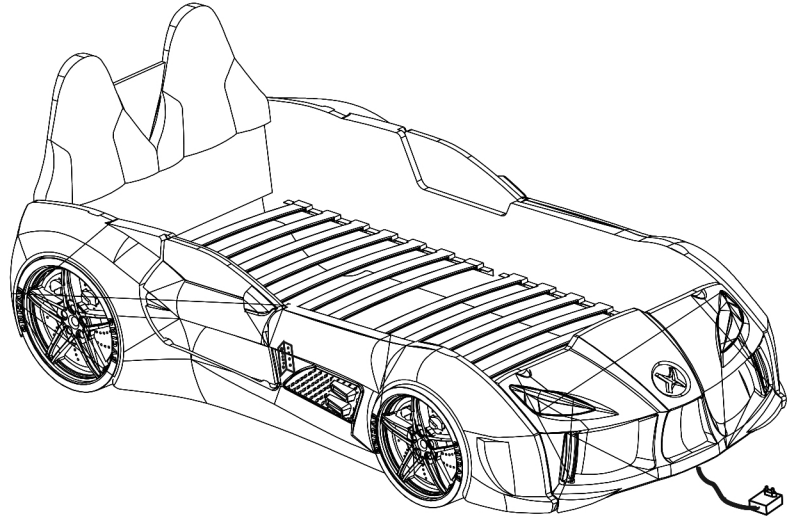
**IT IS THE USER'S RESPONSIBILITY TO MAINTAIN THE FURNITURE. THE HARDWARE MAY LOOSEN OVER TIME AND MAY CAUSE THE FURNITURE TO BE WOBBLY AND UNABLE TO SUPPORT ITS INTENDED WEIGHT CAPACITY. THIS MAY LEAD TO COLLAPSE AND MAY CAUSE SERIOUS INJURY.**



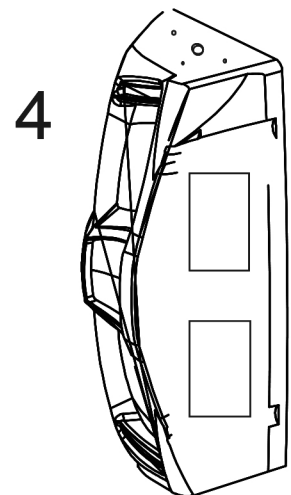
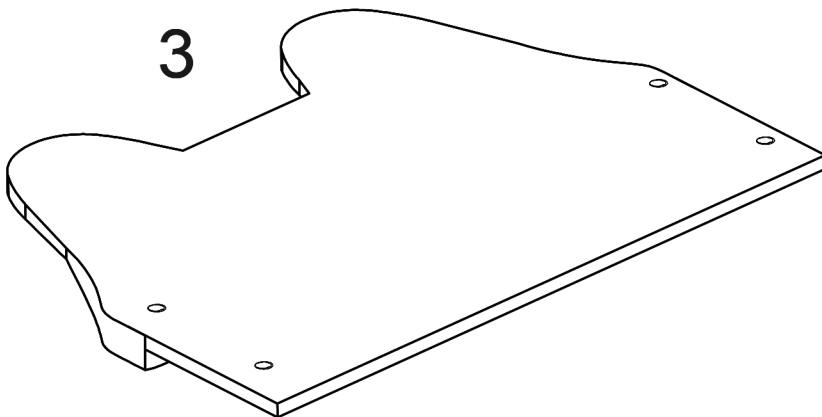
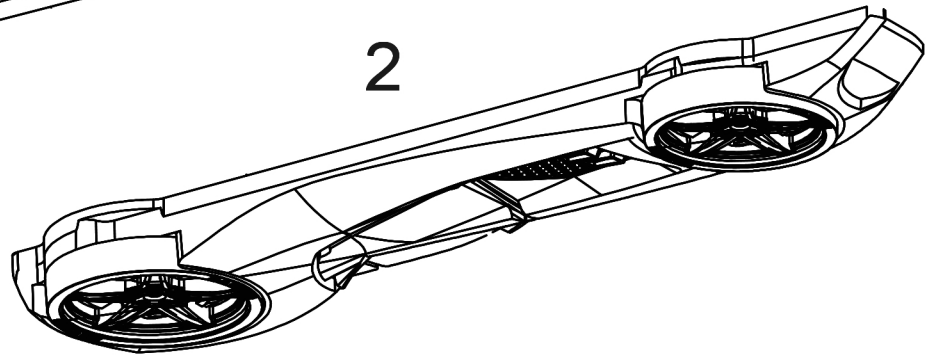
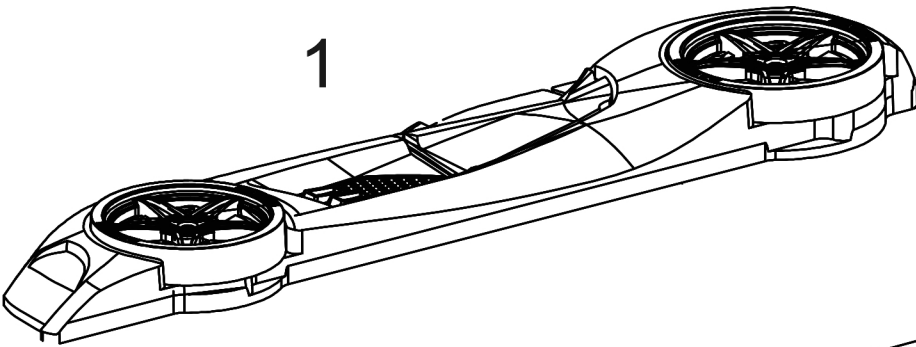
# CAR BED



- Please keep instructions for future reference.
- Check the quantity and irregularity of parts and hardware before you start.

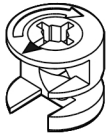


## PARTS



# HARDWARE

A



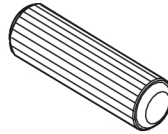
MINIFIX NUT  
x4 pc.

B



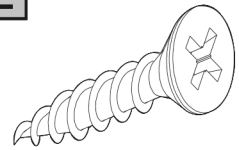
MINIFIX STUD  
x4 pc.

D



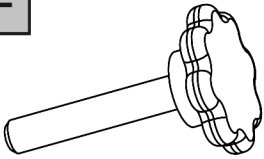
DOWEL  
x4 pc.

E



YSB SCREWS  
M5x35 28PC

F



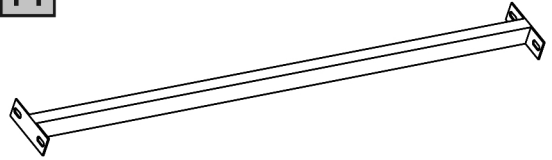
BUTTERFLY BOL  
M6 x6 pc.

G



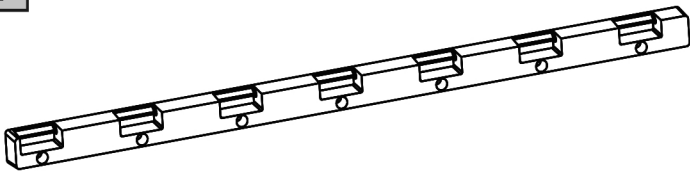
YSB SCREWS  
M6x12 x12pc.

H



SLAT'S SUPPORT STEEL x1 pc.

I



SLAT'S SUPPORT x4 pc.

K



SLATS x14 pc.

N

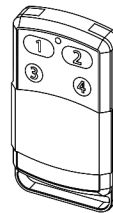


BRACKET x 4 pc

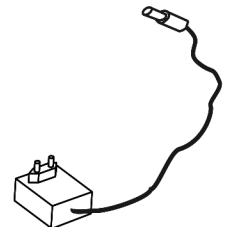
O



YSB SCREWS  
M4x20 x32 pc.



REMOTE  
CONTROL  
x1pc



ADAPTOR x1pc

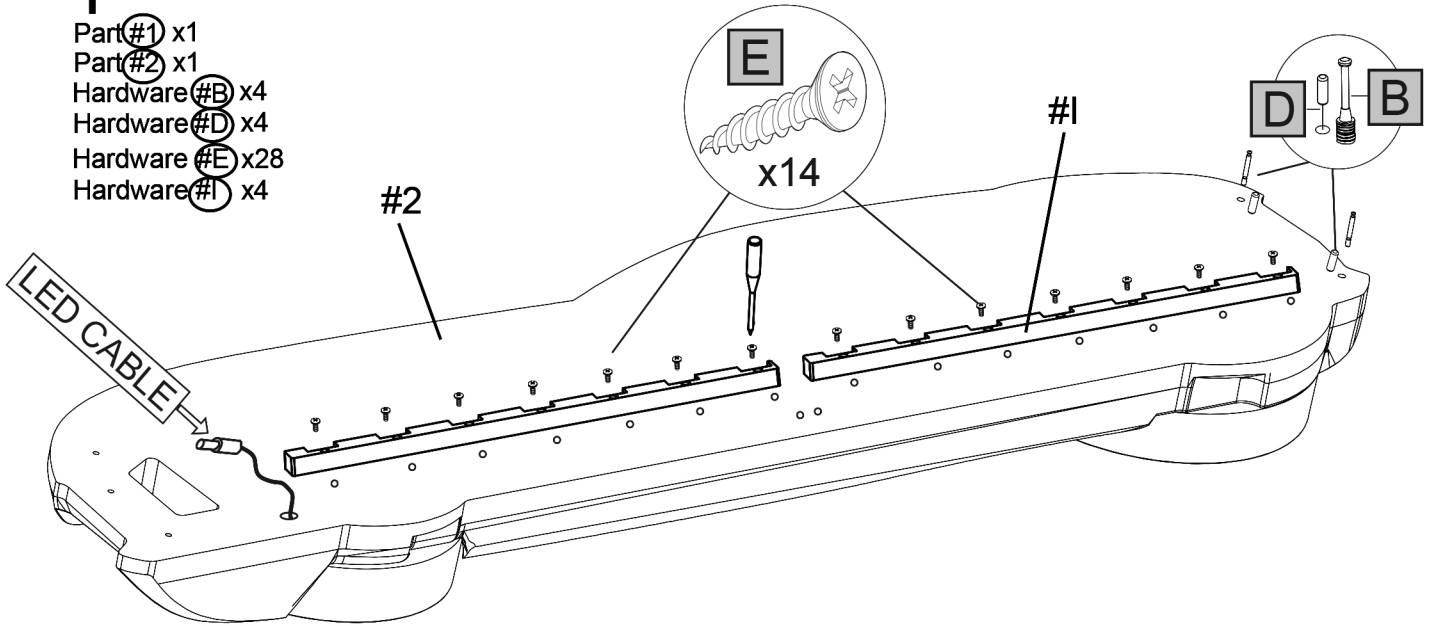
# ASSEMBLY INSTRUCTIONS

Align the Slat supports (#1) onto Part (#2) and secure by using YSB Screw (#E). Insert the Minifix stud (#B) and Dowels (#D) as shown in the diagram. Repeat steps with Part (#1).

x2

1

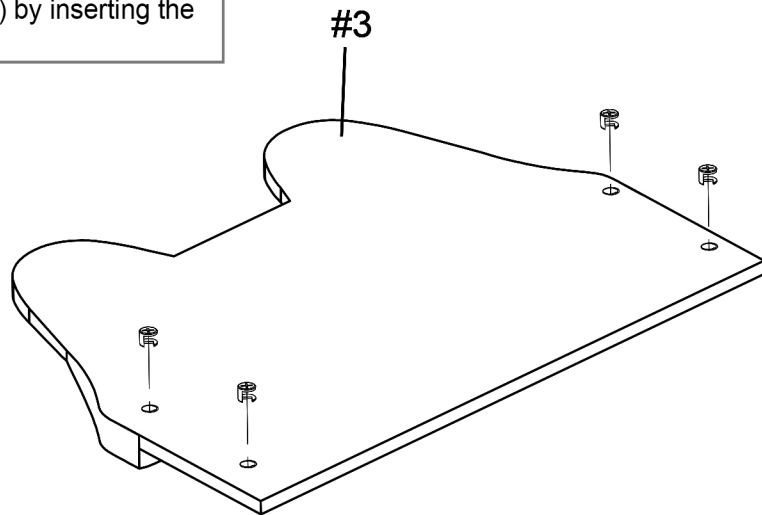
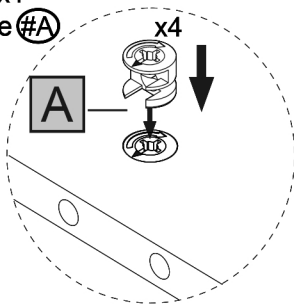
- Part (#1) x1
- Part (#2) x1
- Hardware (#B) x4
- Hardware (#D) x4
- Hardware (#E) x28
- Hardware (#I) x4



2

- Part (#3) x1
- Hardware (#A) x4

Prepare Part (#3) by inserting the Minifix nut (#A).

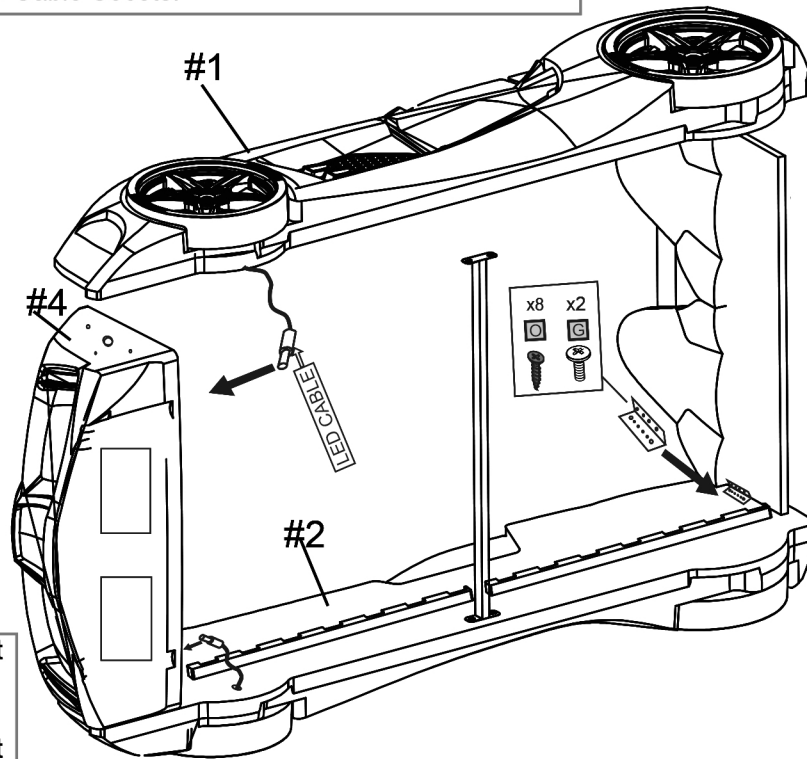
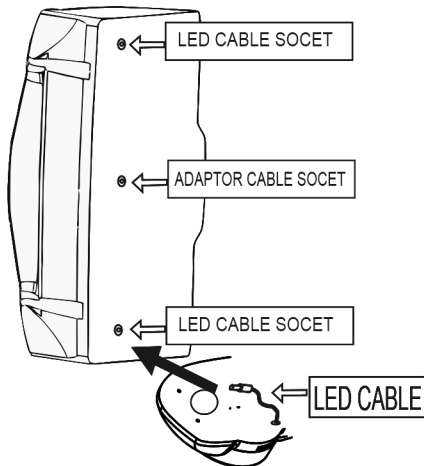


# ASSEMBLY INSTRUCTIONS

I. Align Part (#1) and Part (#2) with Part (#4). Connect the LED Cables to the LED Cable Sockets.

## 3

Hardware #G x4  
 Hardware #N x2  
 Hardware #O x16

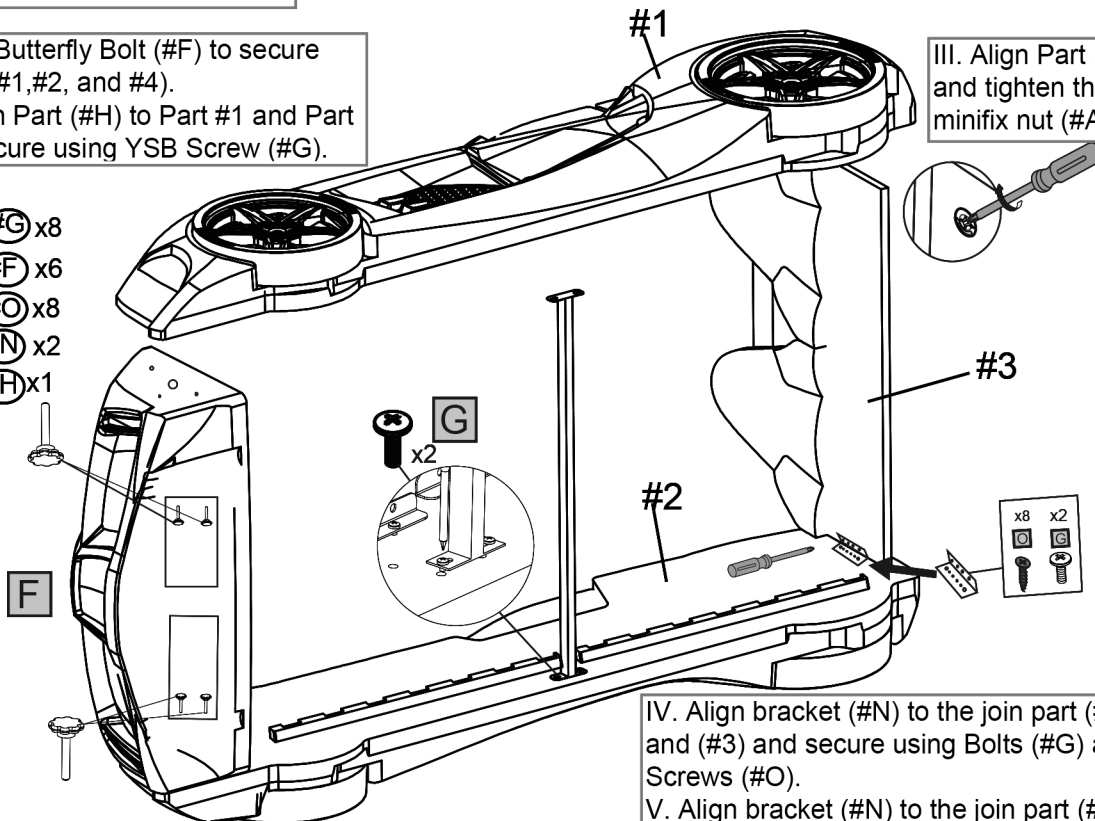


II. Align bracket (#N) to the join part (#1) and (#4) and secure using Bolts (#G) and Screws (#O).  
 II. Align bracket (#N) to the join part (#2) and (#4) and secure using Bolts (#G) and Screws (#O).

I. Use Butterfly Bolt (#F) to secure Parts (#1, #2, and #4).  
 II. Align Part (#H) to Part #1 and Part #2. Secure using YSB Screw (#G).

## 4

Hardware #G x8  
 Hardware #F x6  
 Hardware #O x8  
 Hardware #N x2  
 Hardware #H x1



III. Align Part (#3) and tighten the minifix nut (#A).

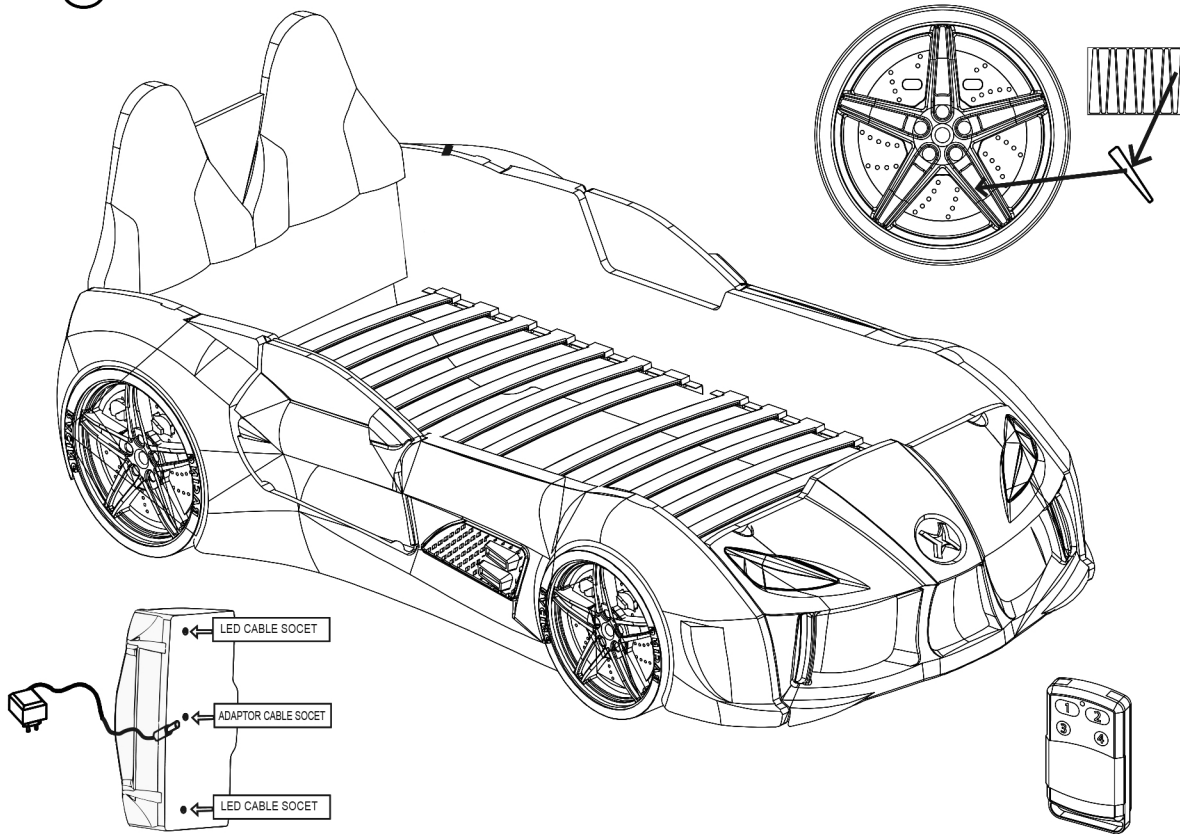
IV. Align bracket (#N) to the join part (#1) and (#3) and secure using Bolts (#G) and Screws (#O).  
 V. Align bracket (#N) to the join part (#2) and (#3) and secure using Bolts (#G) and Screws (#O).

# ASSEMBLY INSTRUCTIONS

## 5

Hardware #K x14

Insert the Slats (#K) and connect the adaptor to the center Adaptor Cable socket.



## ASSEMBLY COMPLETED



Please ensure the furniture rests on an even and flat surface. If the product wobbles or feels loose, double-check all bolts and/or screws are properly tightened and secured.

### ✓ Keep this handy!

Please retain this instruction manual and any order-related information for future reference.

### ✓ Lift, don't drag!

To avoid damage to product please always LIFT the product when transporting or adjusting the placement.