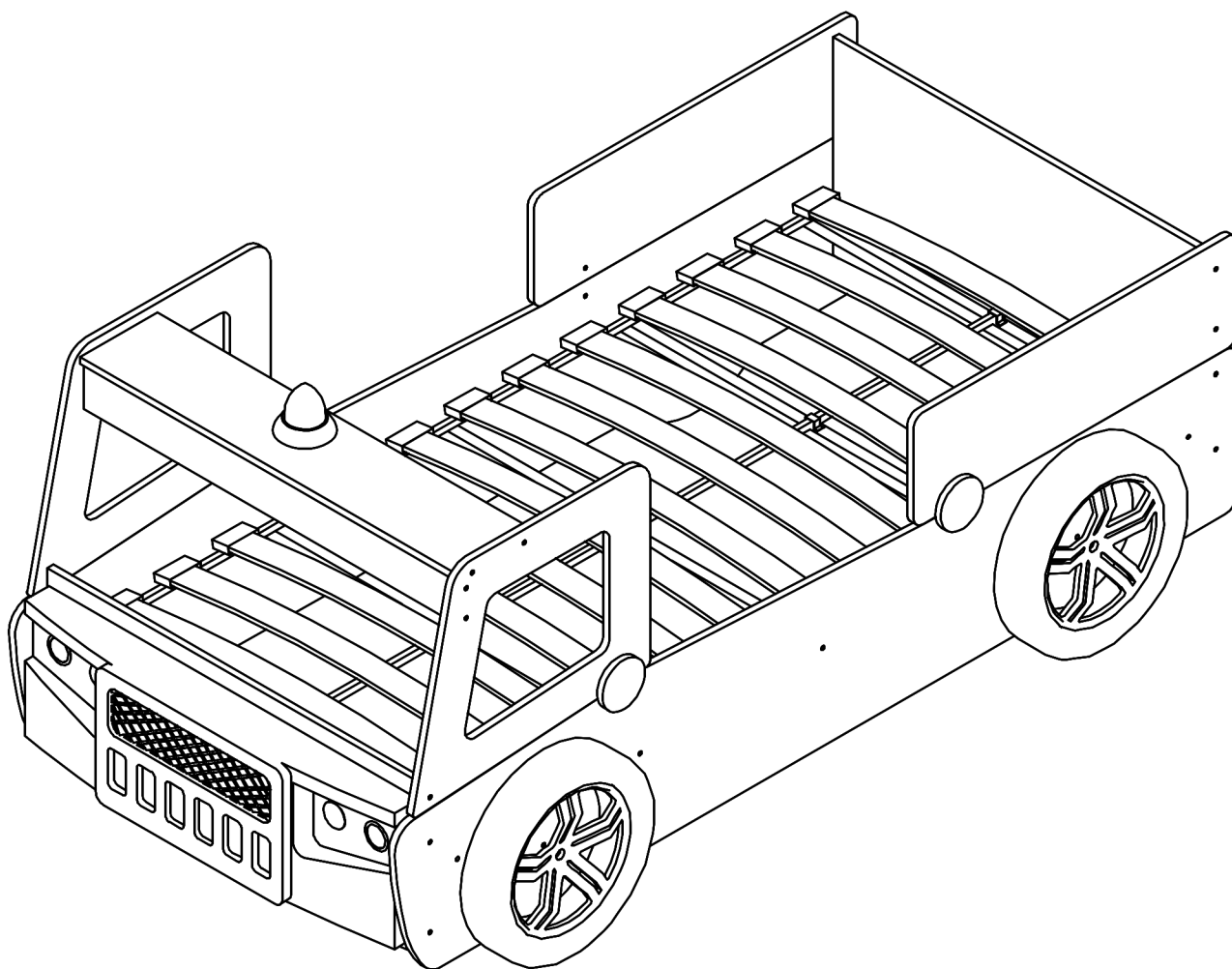
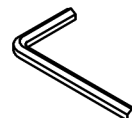
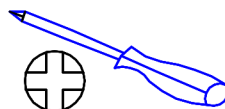
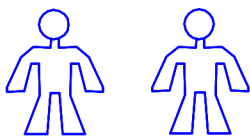


Assembly Instructions



ASSEMBLE DIFFICULTY

1 2 ③ 4 5



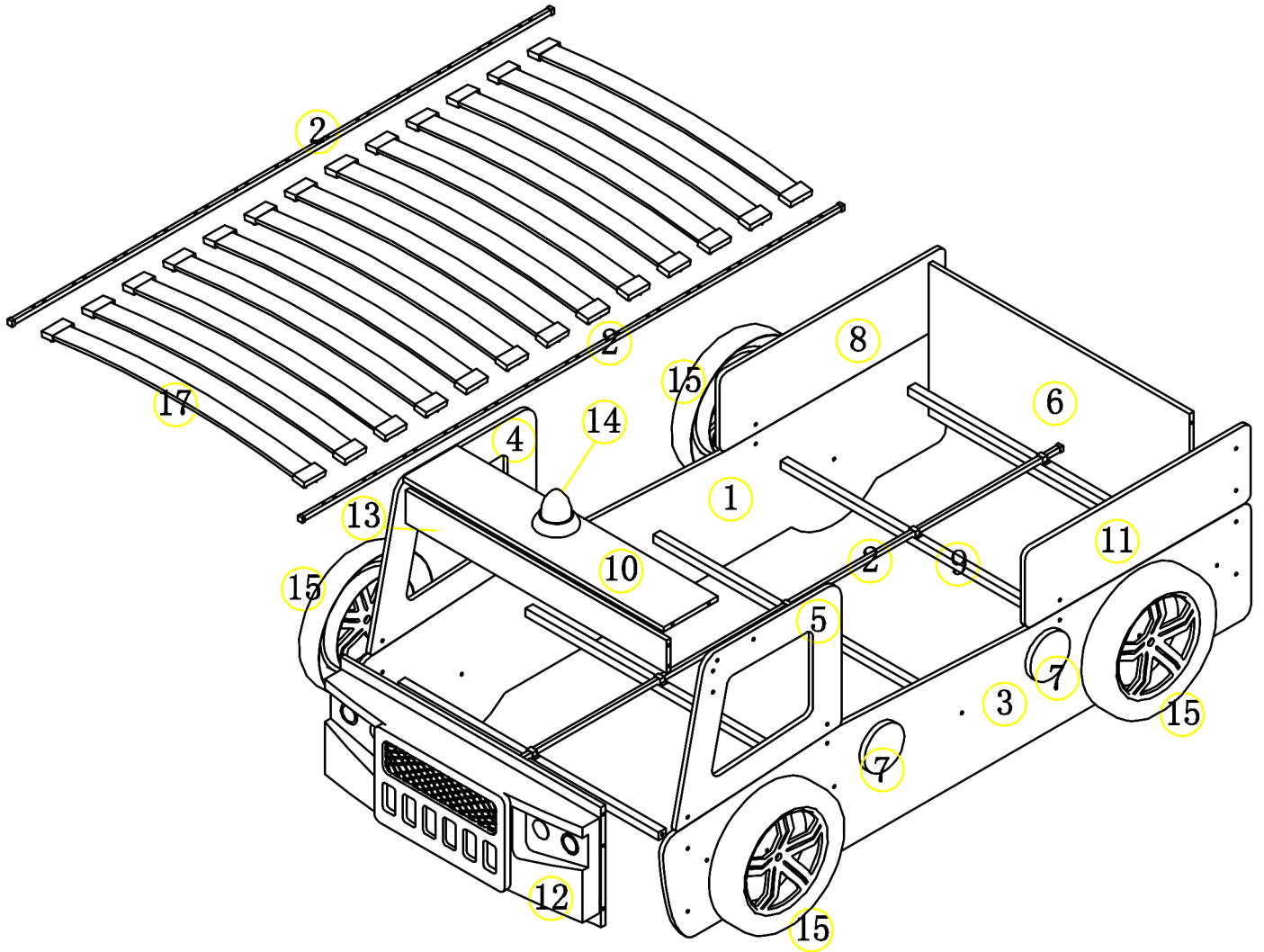
- User Age: 36 Months Or Above.
- Standard Of Paint: EN1725:1998
EN1022:2005
EN71-1:2014
EN71-3:2013+A1:2014






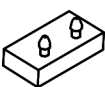



IMPORTANT, RETAIN FOR FUTURE REFERENCE: READ CAREFULLY

- Information regarding maintenance
Use dry, clean & soft cloth rub on the surface regularly; must not use any wet cloth, hardware or any hard material (such as keys, knife, sand-paper) rub on the surface. Keep away from water and any chemical substances.
- Conditions for use of the product domestic
- Installation only to be carried out by a competent person
- Article consists swallowable small parts, children ≤ 3 years should not be without parental guidance (surveillance or monitoring)
- Screw lock must be inserted before joining
- For the safety reason all of the hardware must be screwed tidely.
- This Product must be assembled by adult
- To avoid surface damage, tight all serew must not use over 5Nm power.
- Use only mattress which is 74"-75" long, 37.5"-38.5" wide and 4"-6" height.

DESCRIPTION OF COMPONENT

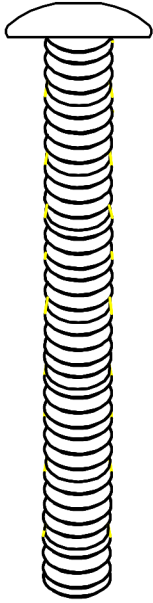
ITEM NO	WORK PIECE DESCRIPTION	MEASUREMENT	QTY	COLOUR	SHAPE	PACK IN BOX
(1)	SIDE PAENL (L)	2080*454*15	1	RED		1/4
(2)	U SHAPED IRON	1910*15*15	3	SILVER		1/4
(3)	SIDE PAENL (R)	2080*454*15	1	RED		1/4
(4)	FRONT UPPER SIDE PANEL (L)	584*480*15	1	WHITE		1/4
(5)	FRONT UPPER SIDE PANEL (R)	584*480*15	1	WHITE		1/4
(6)	BACK PANEL	1000*454*15	1	RED		1/4
(7)	THE CIRCULAR PLATE	120*120*15	4	YELLOW		1/4
(8)	REAR UPPER SIDE PANEL (L)	800*240*15	1	RED		2/4
(9)	SQUARE PIPE	1000*25*25	5	WHITE		2/4
(10)	TOP BOARD	1000*175*15	1	WHITE		2/4
(11)	REAR UPPER SIDE PANEL (R)	800*240*15	1	RED		2/4
(12)	FRONT PANEL	1000*378*145	1	RED		2/4
(13)	FRONT UPPER BOARD	1000*100*15	1	WHITE		2/4
(14)	FIRE LAMP	φ 90*90	1	YELLOW		2/4
(15)	TYRE	φ 385*65	4	BLACK		3/4
(16)	HARDWARE	216*114*57	1	-		3/4
(17)	PLYWOOD SLAT	995*62*12	13	WHITE		4/4



A	B	C	D	E	G	J	F	L
								
QTY:22	M6*50 QTY:32	M6*55 QTY:4	QTY:4	QTY:5	QTY:26	M6*25 QTY:10	QTY:40	QTY:1

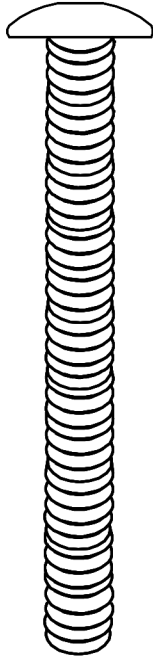
SCALE 1:1

B



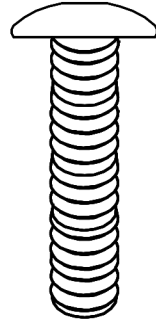
M6*50

C



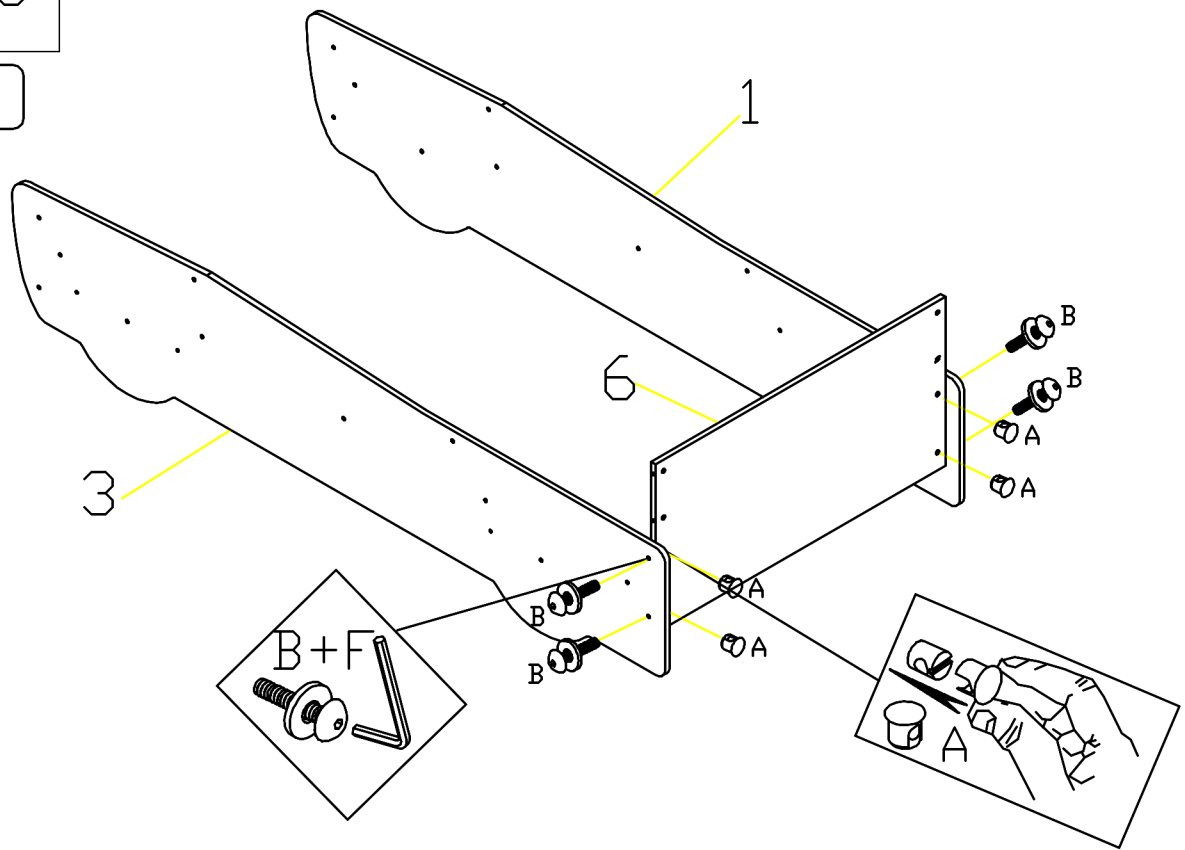
M6*55

J



M6*25

1



B



M6*50
QTY:4

A



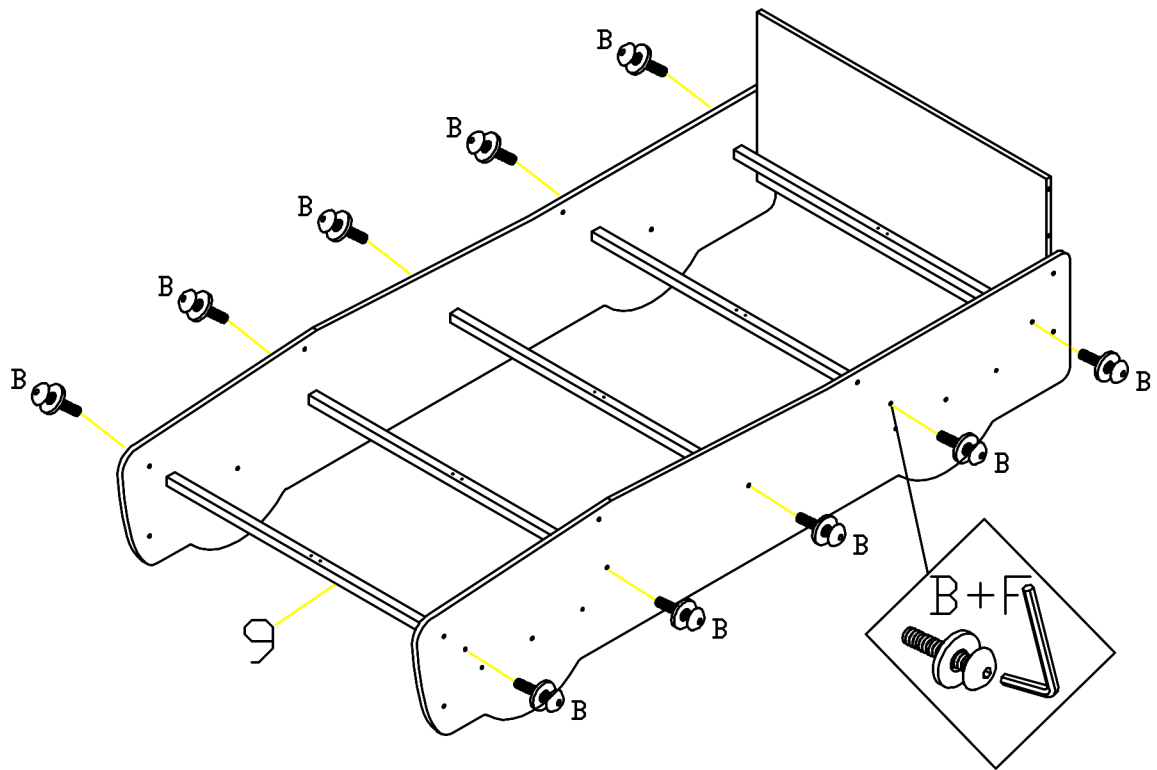
QTY:4

F



QTY:4

2



B



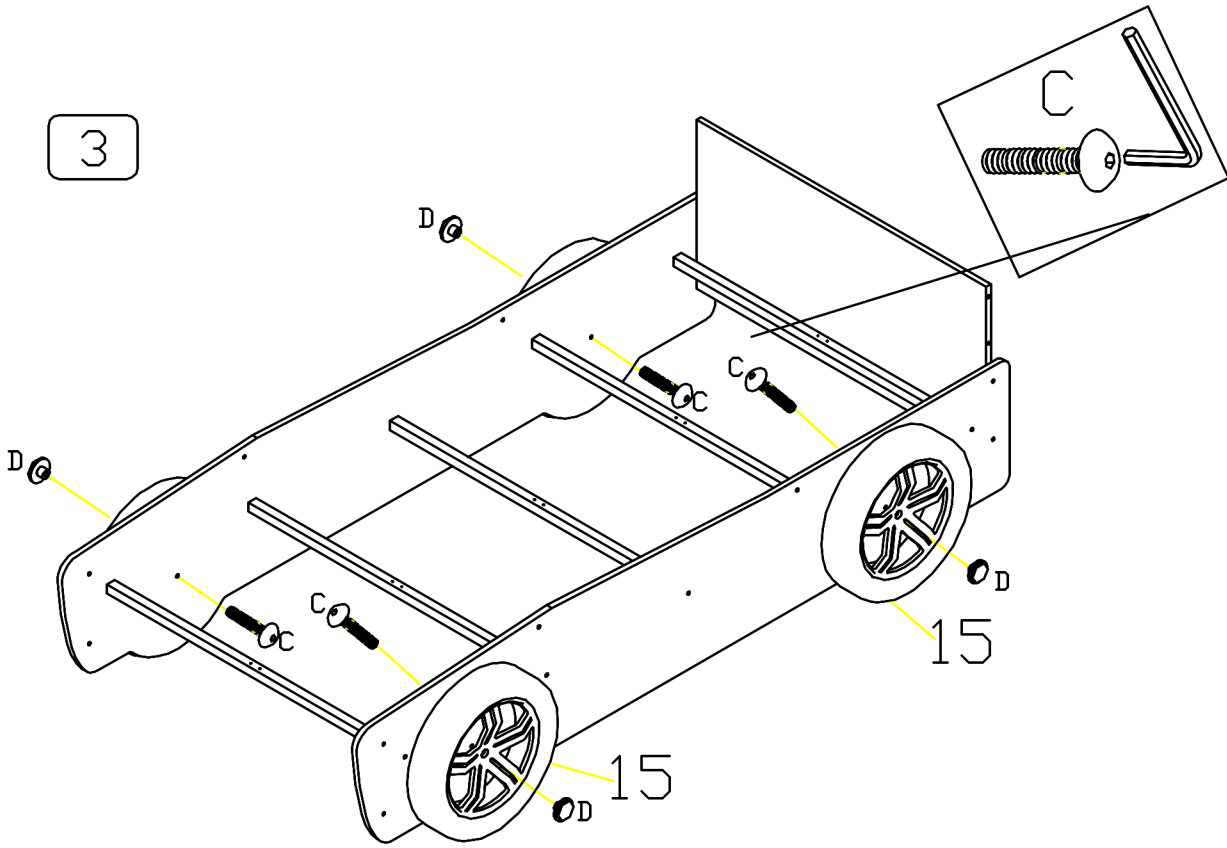
M6*50
QTY:10

F



QTY:10

3



C



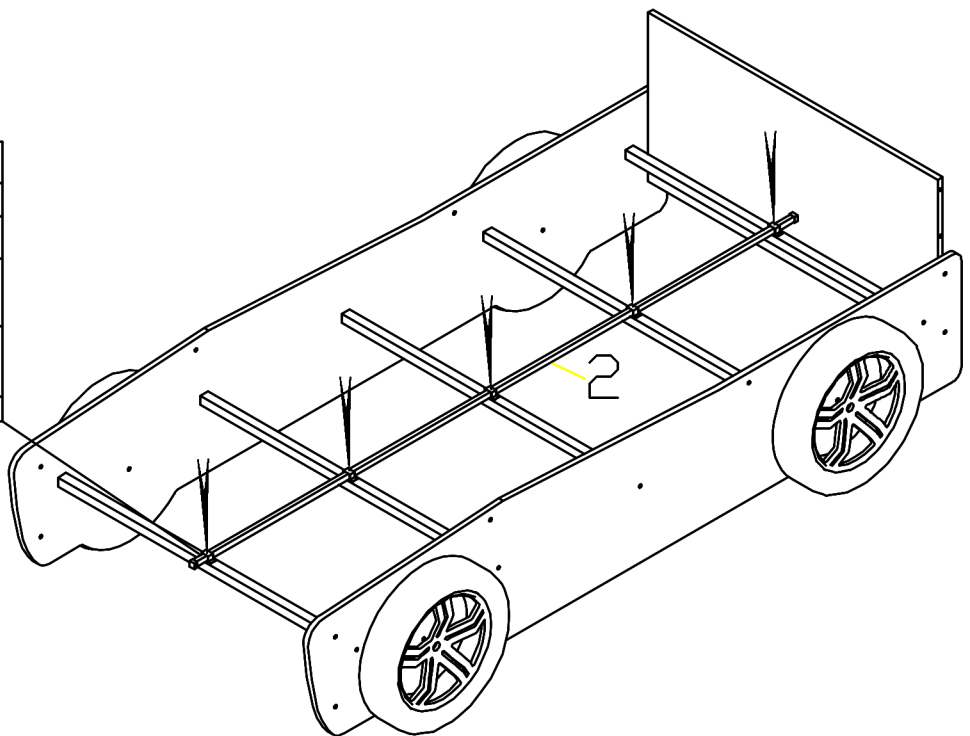
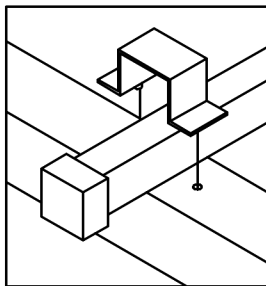
M6*55
QTY:4

D

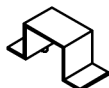


QTY:4

4



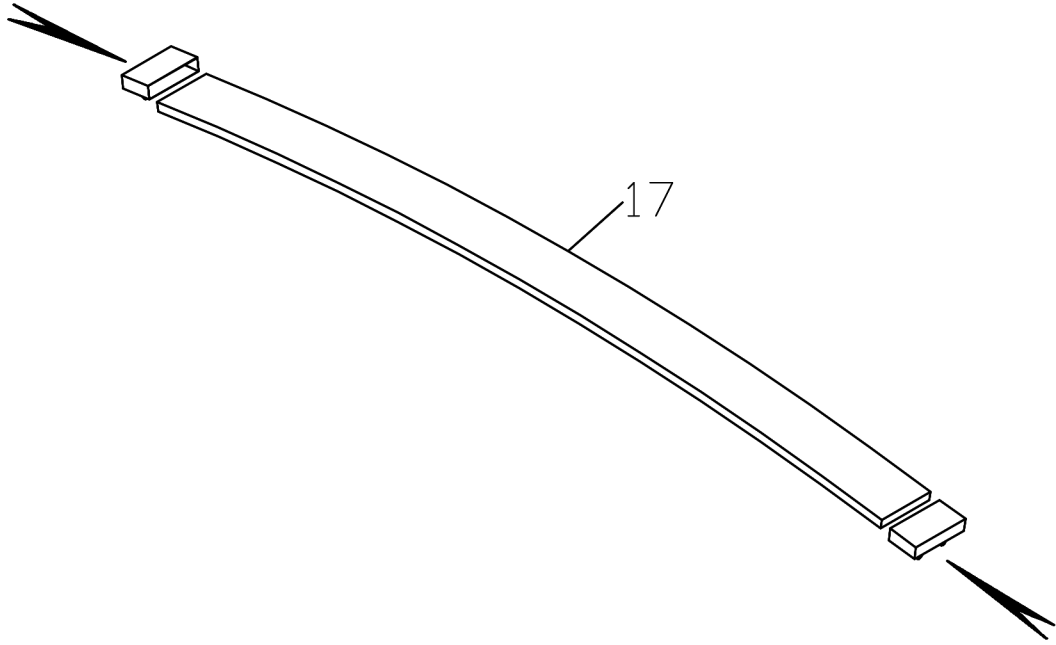
E



QTY:5

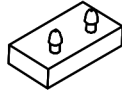
8/13

5



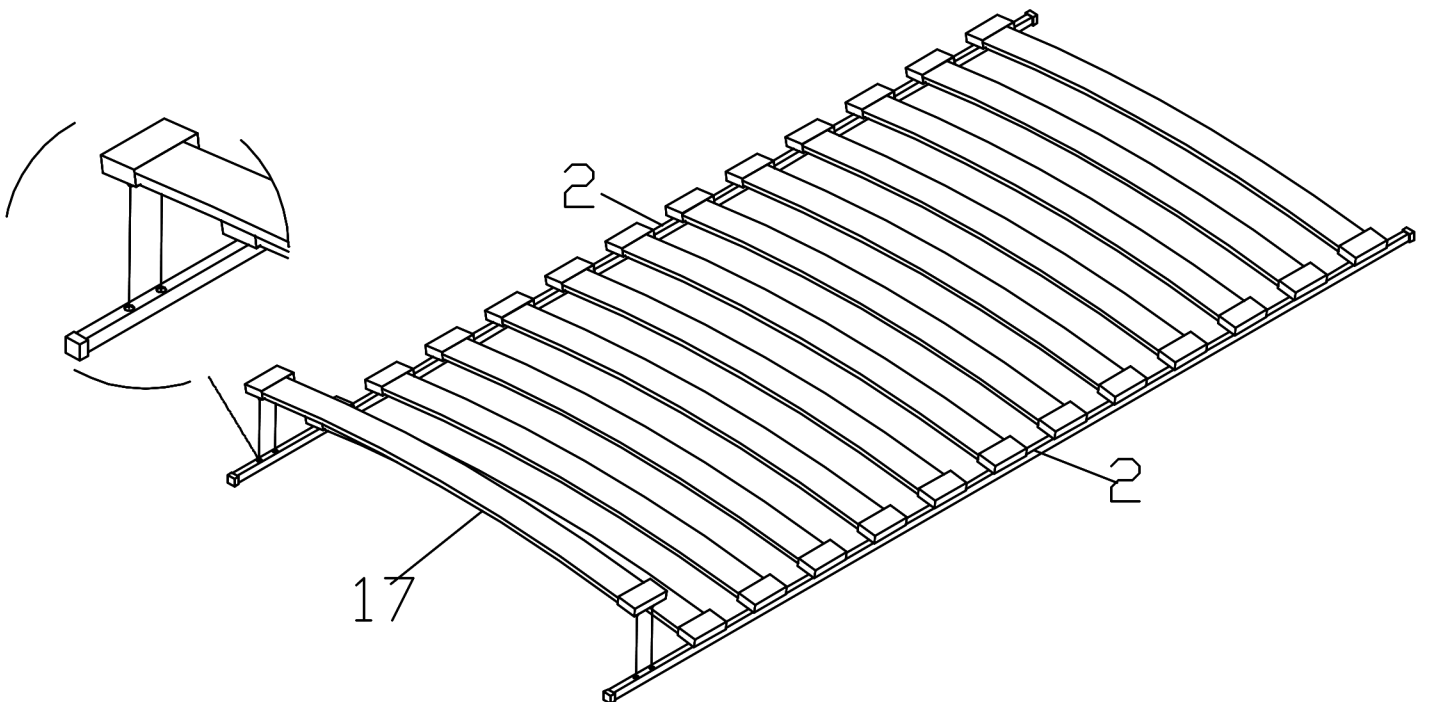
13X

G



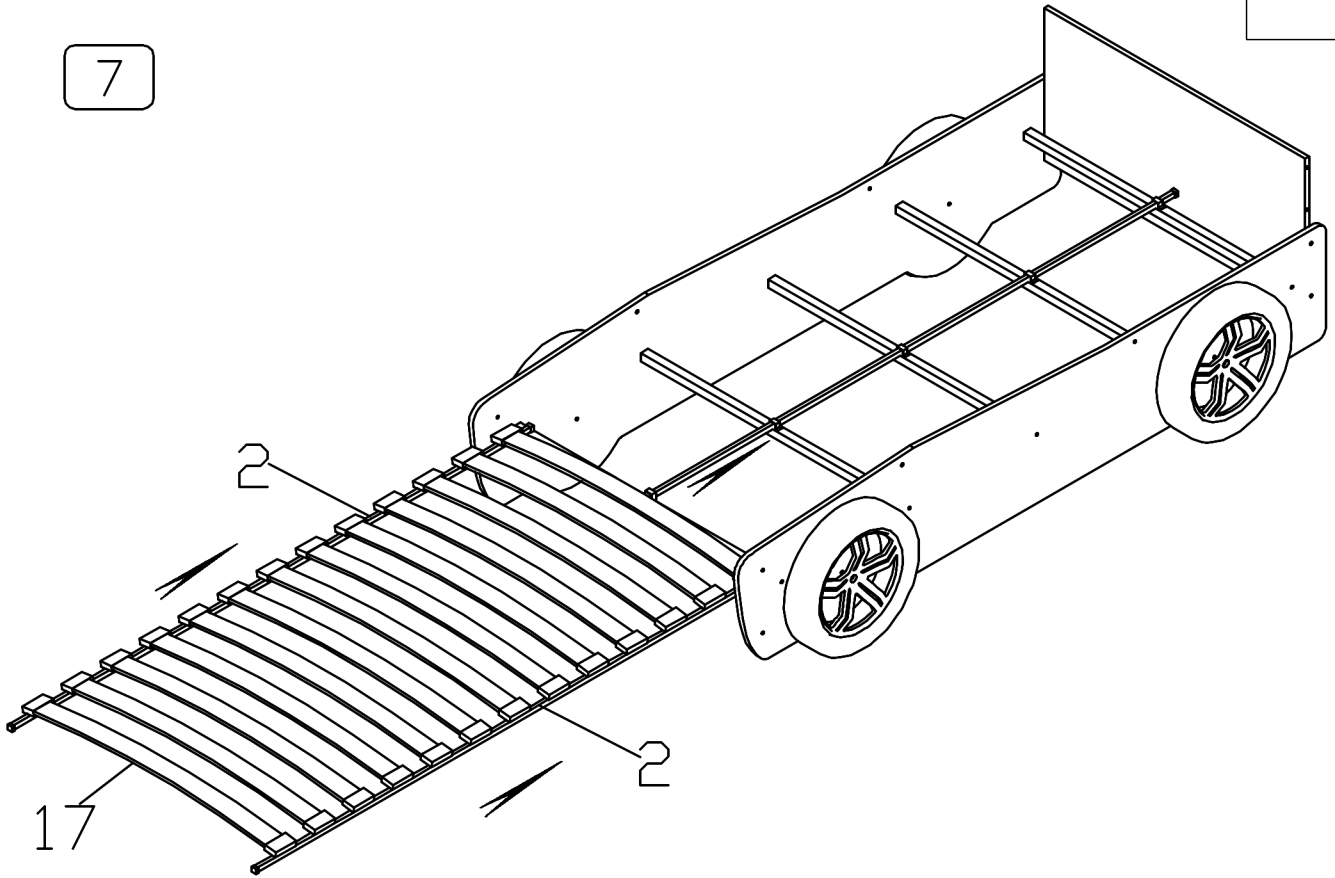
QTY:26

6

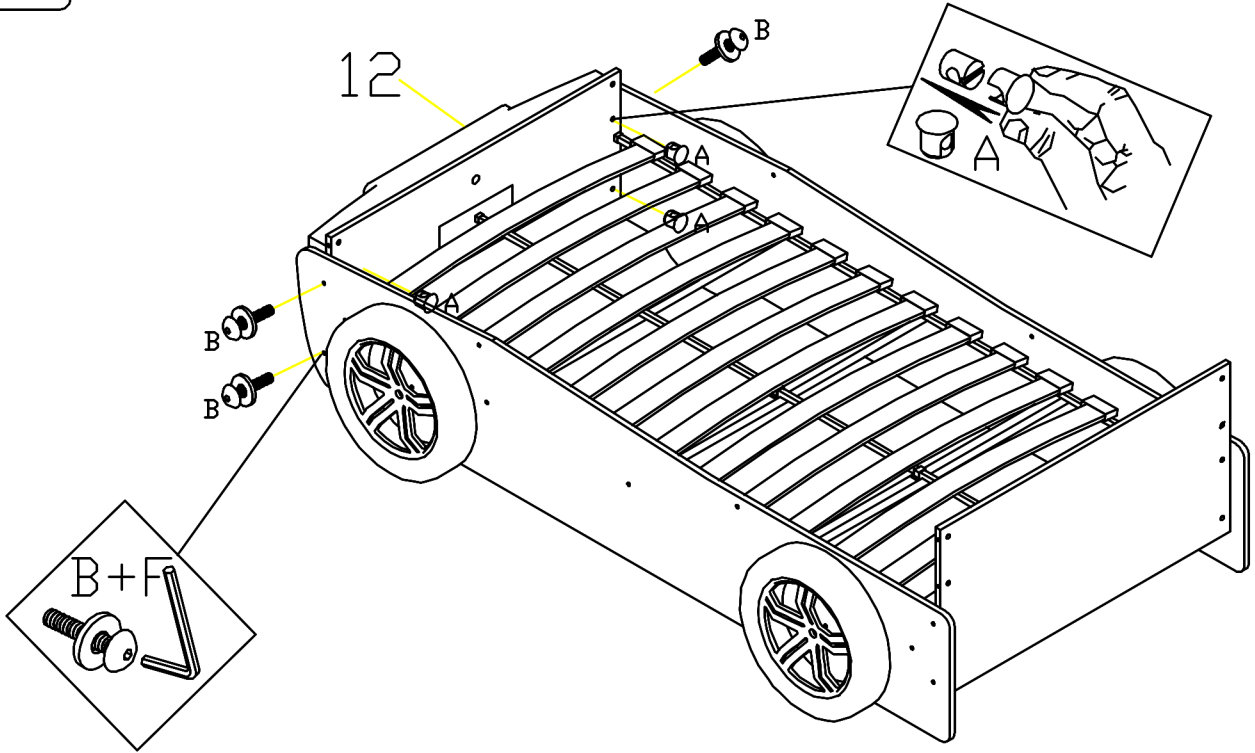


13X

7



8



B



M6*50
QTY:4

A



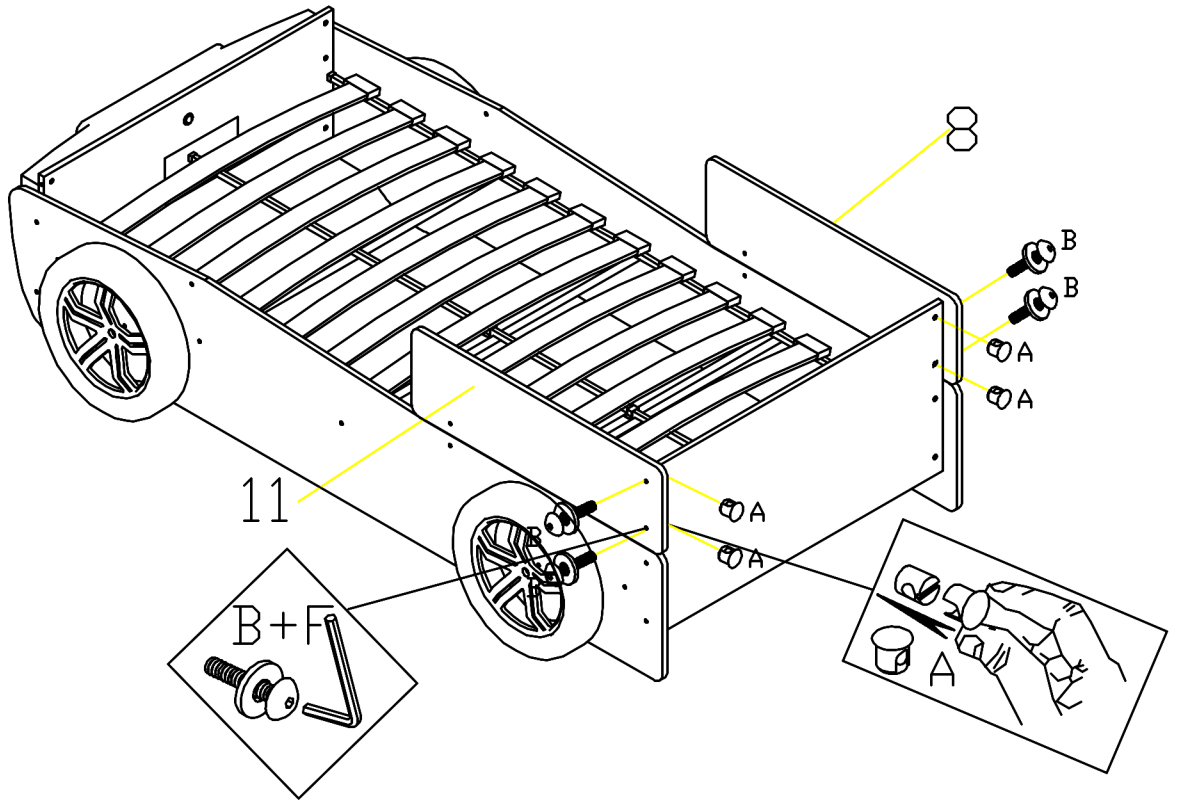
QTY:4

F



QTY:4

9



B



M6*50
QTY:4

A



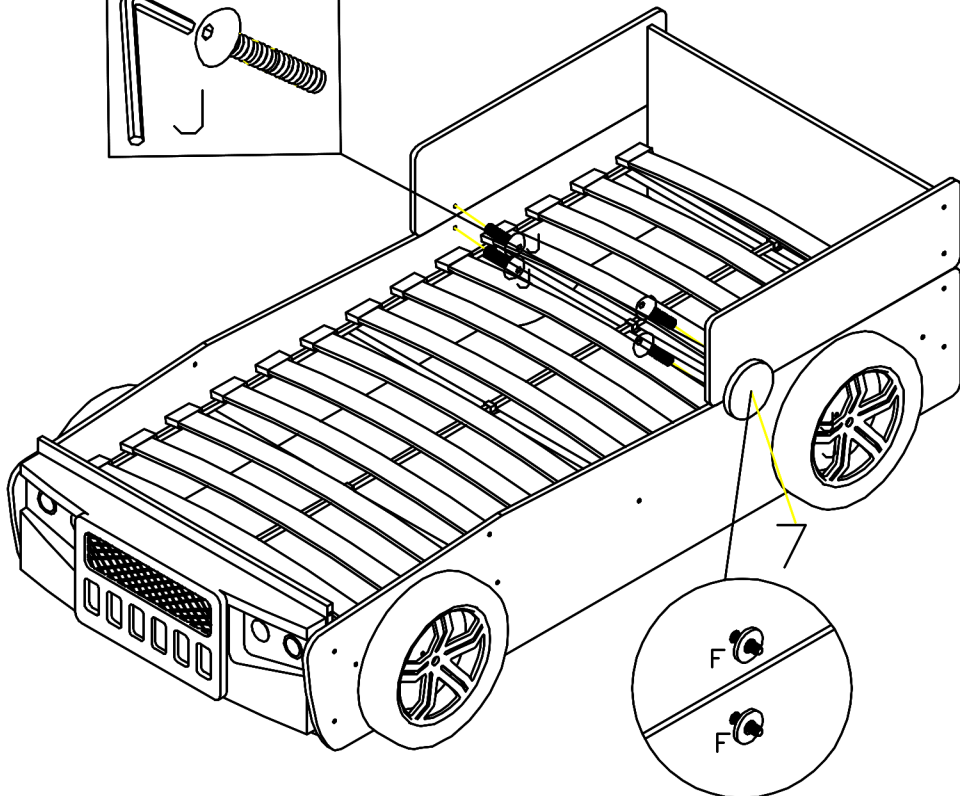
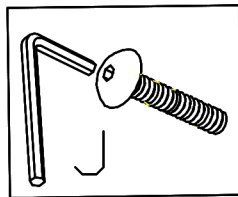
QTY:4

F



QTY:4

10



J



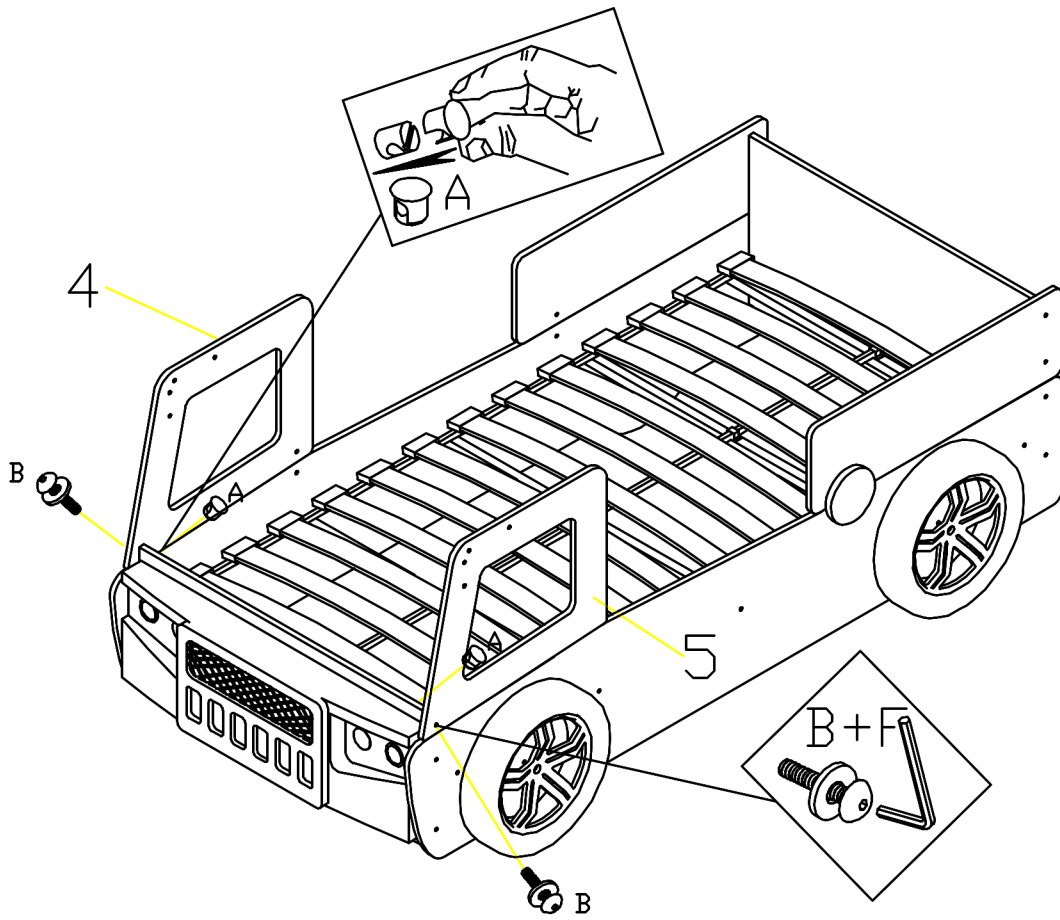
M6*25
QTY:4

F



QTY:4

11



B



M6*50
QTY:2

A



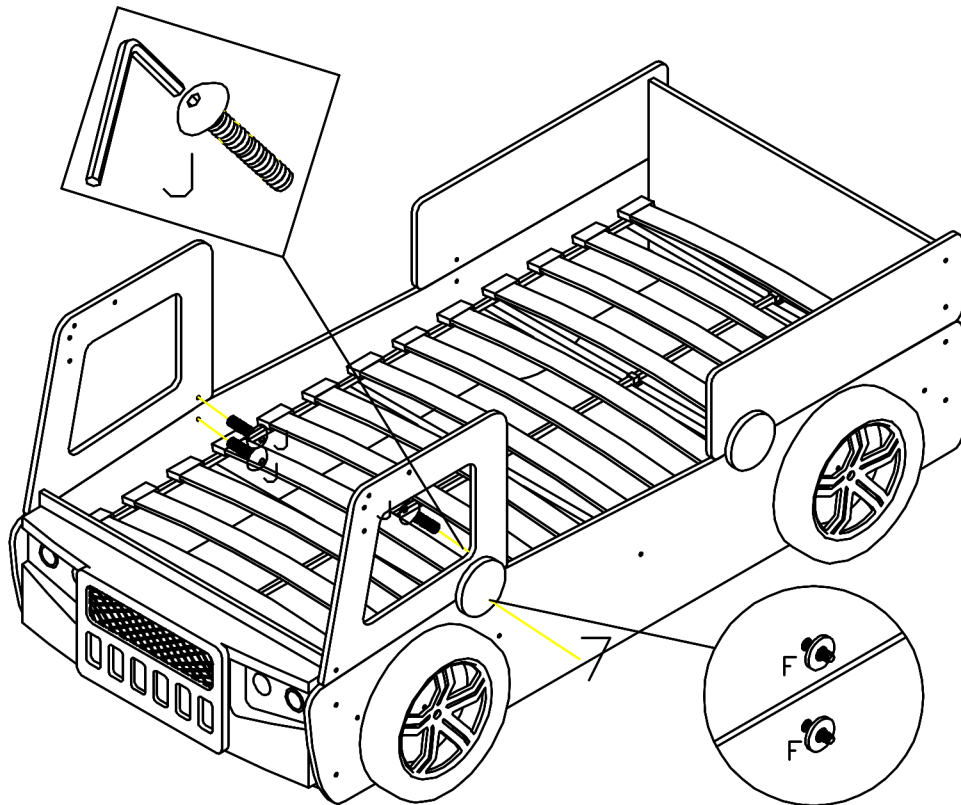
QTY:2

F



QTY:4

12



J



M6*25
QTY:4

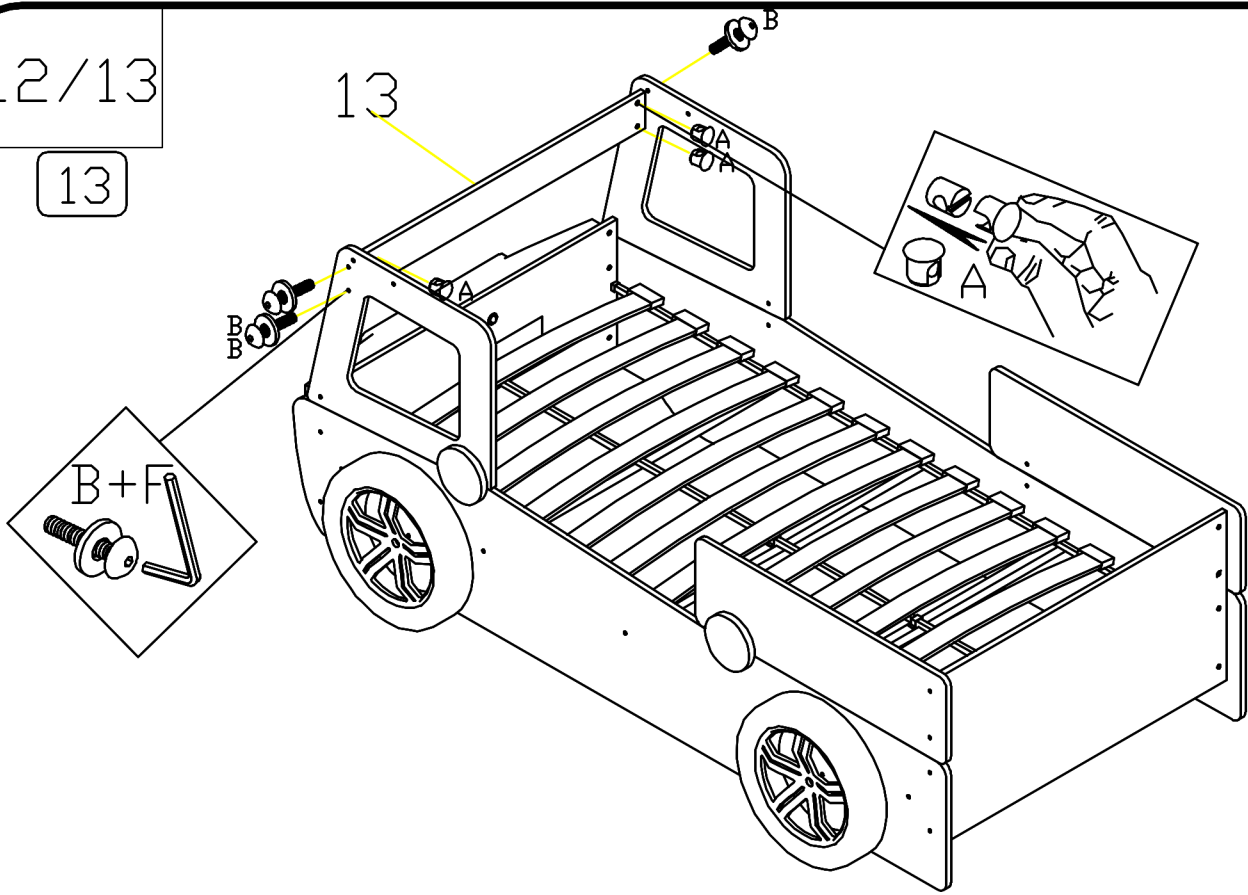
F



QTY:4

12/13

13



B



M6*50
QTY:4

A



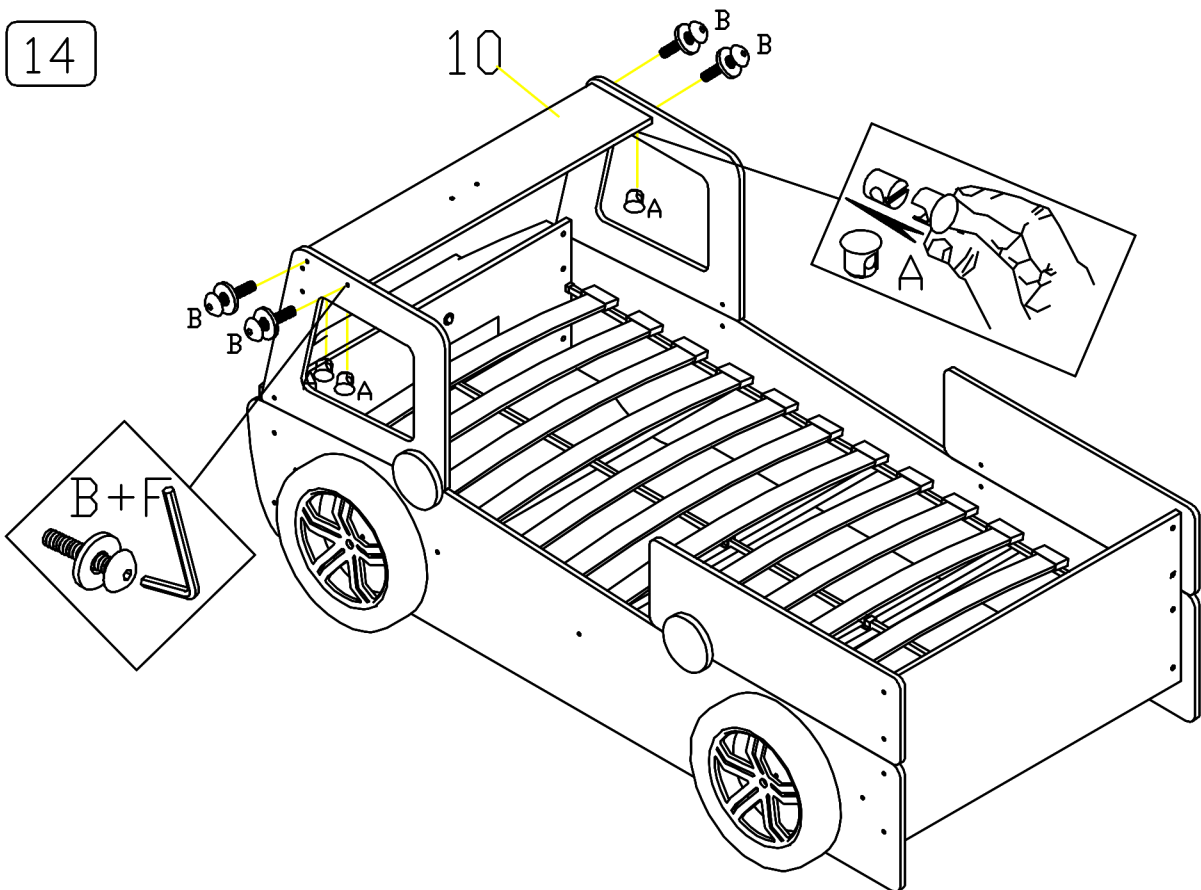
QTY:4

F



QTY:4

14



B



M6*50
QTY:4

A



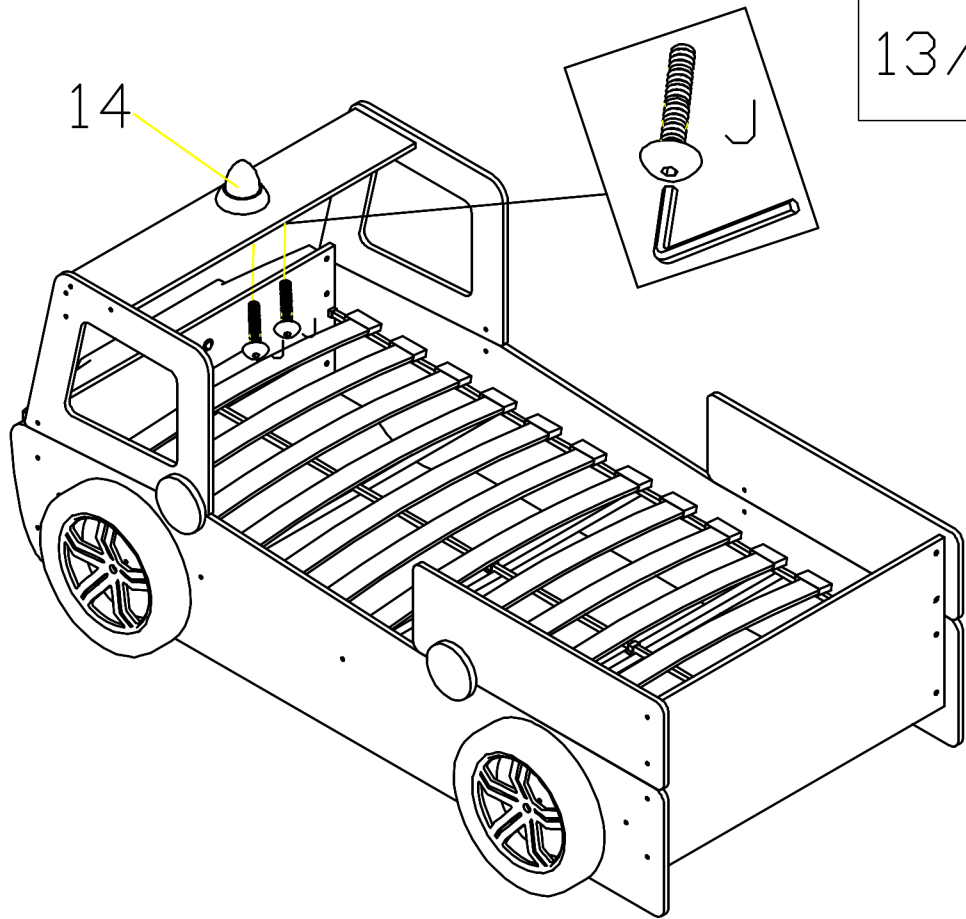
QTY:4


F



QTY:4

15



J  M6*25
QTY:2

16

