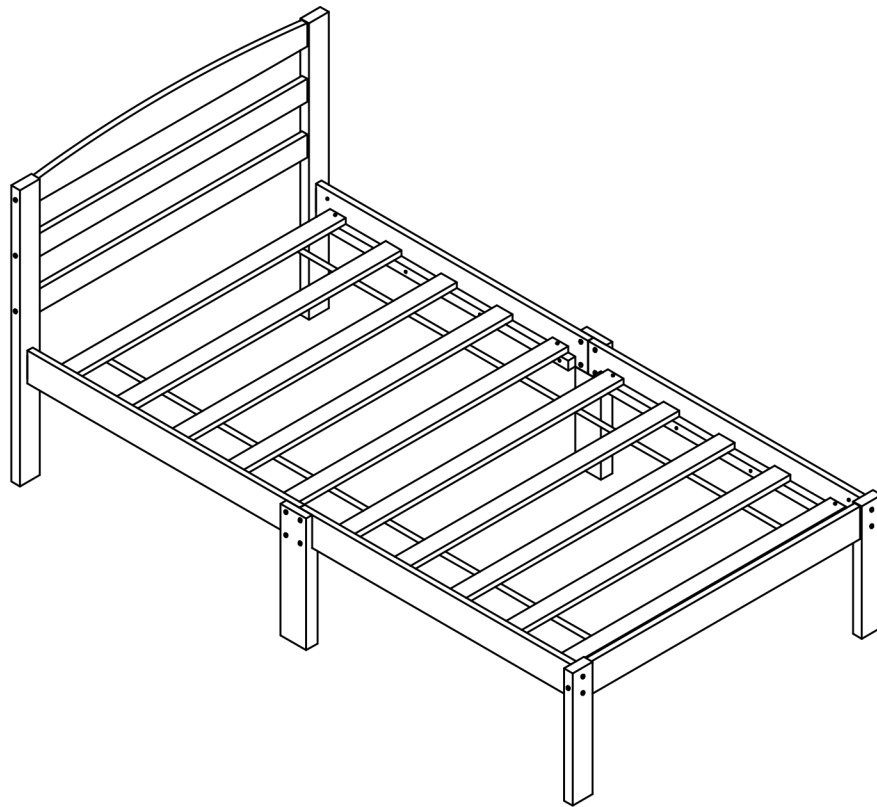


Assembly Instructions



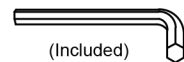
ASSEMBLY RATING

The Assembly Rating is a 5-point system that shows the degree of effort needed in assembling a specific product (with 1 being easy and 5 being difficult). For some products, two persons are recommended.

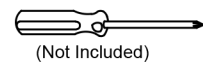
EASY  DIFFICULT

Tools Required For Assembly:

Allen Wrench



Phillips Screwdriver

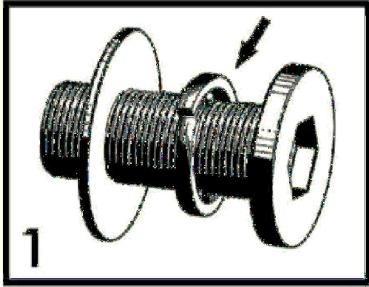


2 PERSONS RECOMMENDED

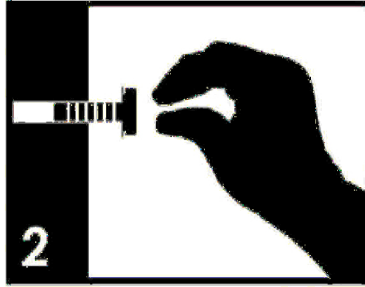
ASSEMBLY & CARE ADVICE

FOR YOUR FURNITURE TO LAST, CORRECT ASSEMBLY AND PROPER MAINTENANCE ARE NECESSARY. PLEASE FOLLOW THE INFORMATION PROVIDED BELOW TO FULLY ENJOY YOUR FURNITURE.

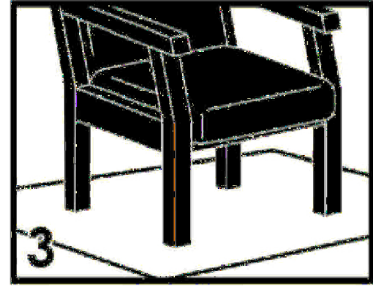
BASIC ASSEMBLY TECHNIQUES



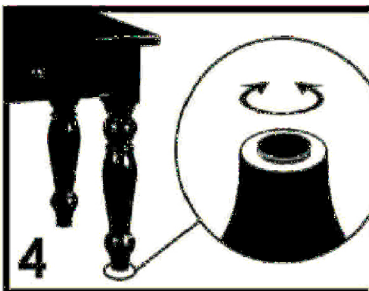
1
When lock or spring washer is used in an assembly, please make sure the lock or spring washer is placed between the larger flat washer and the head of the screw or bolt.



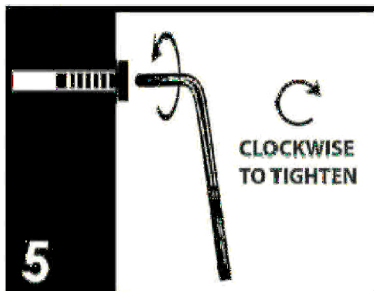
2
Position each part correctly and insert screws or bolts into their respective holes by hand tighten or using the proper hand tool. Only tighten when step is completed or when instructed to do so.



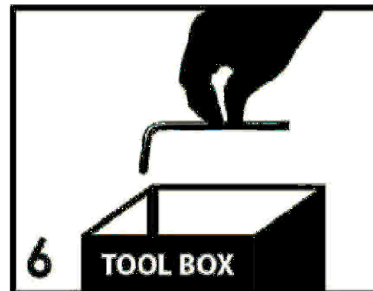
3
Use cardboard or carpet area when assembling furniture to prevent scratches. Make sure the furniture rests on a flat and level surface with each leg evenly touching the floor. No dragging of products/parts.



4
Some furniture comes with height adjustment knobs underneath each leg. To lower or to raise each leg, you need to turn clockwise or counterclockwise, respectively.



5
Make sure all parts are properly aligned, then use the appropriate hand tool to completely tighten the bolts or screws. Do not use power tools and do not overtighten.

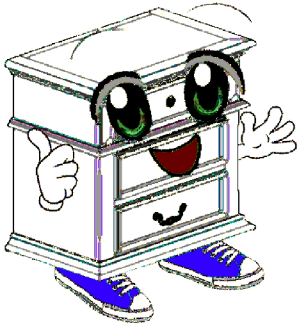


6
Save the instructions and store the Allen wrench or any supplied tool for later maintenance. After two weeks, check and tighten any loose hardware and repeat again every six months thereafter.

IT IS THE USER'S RESPONSIBILITY TO MAINTAIN THE FURNITURE. THE HARDWARE MAY LOOSEN OVER TIME AND MAY CAUSE THE FURNITURE TO BE WOBBLY AND UNABLE TO SUPPORT ITS INTENDED WEIGHT CAPACITY. THIS MAY LEAD TO COLLAPSE AND MAY CAUSE SERIOUS INJURY.



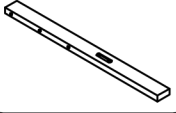
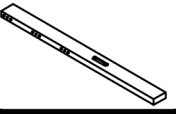
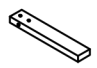
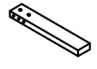
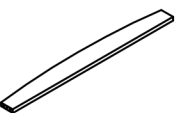
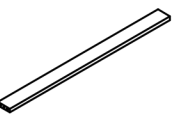
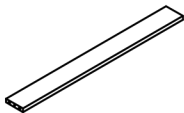
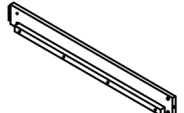
FAILURE TO FOLLOW THE GUIDELINES ABOVE MAY RESULT IN INJURY AND/OR PROPERTY DAMAGE.





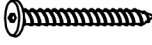


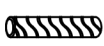


Before you begin, please read Page 2 of "Assembly and Care Advice".

And remember, do not tighten until each step is completed or instructed.

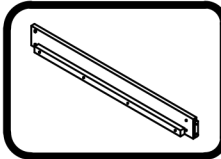
Parts List

	#1 x 1pc Headboard Leg (Left)
	#2 x 1pc Headboard Leg (Right)
	#3 x 1pc Footboard Leg (Left)
	#4 x 1pc Footboard Leg (Right)
	#5 x 1pc Horizontal Bar Bed
	#6 x 2pcs Horizontal Bar Bed
	#7 x 1pc Footboard Panel
	#8 x 2pcs Side Rail

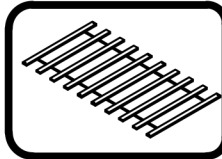
Hardware List

	#A x 8pcs Bolt $\phi 1/4"$ x 3-1/8"
	#B x 8pcs Barrel Nut $\phi 1/4"$ x 1/2"
	#C x 8pcs Screw $\phi 1/4"$ x 4"
	#D x 8pcs Bolt $\phi 1/4"$ x 1-3/16"
	#E x 8pcs Hex Cap $\phi 1/4"$ x 5/8"
	#F x 18pcs Wood Dowel $\phi 10$ x 40mm
	#G x 8pcs Screw $\phi 4$ x 30mm
	#H x 1pc Allen Wrench 4mm

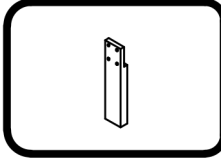
Parts List



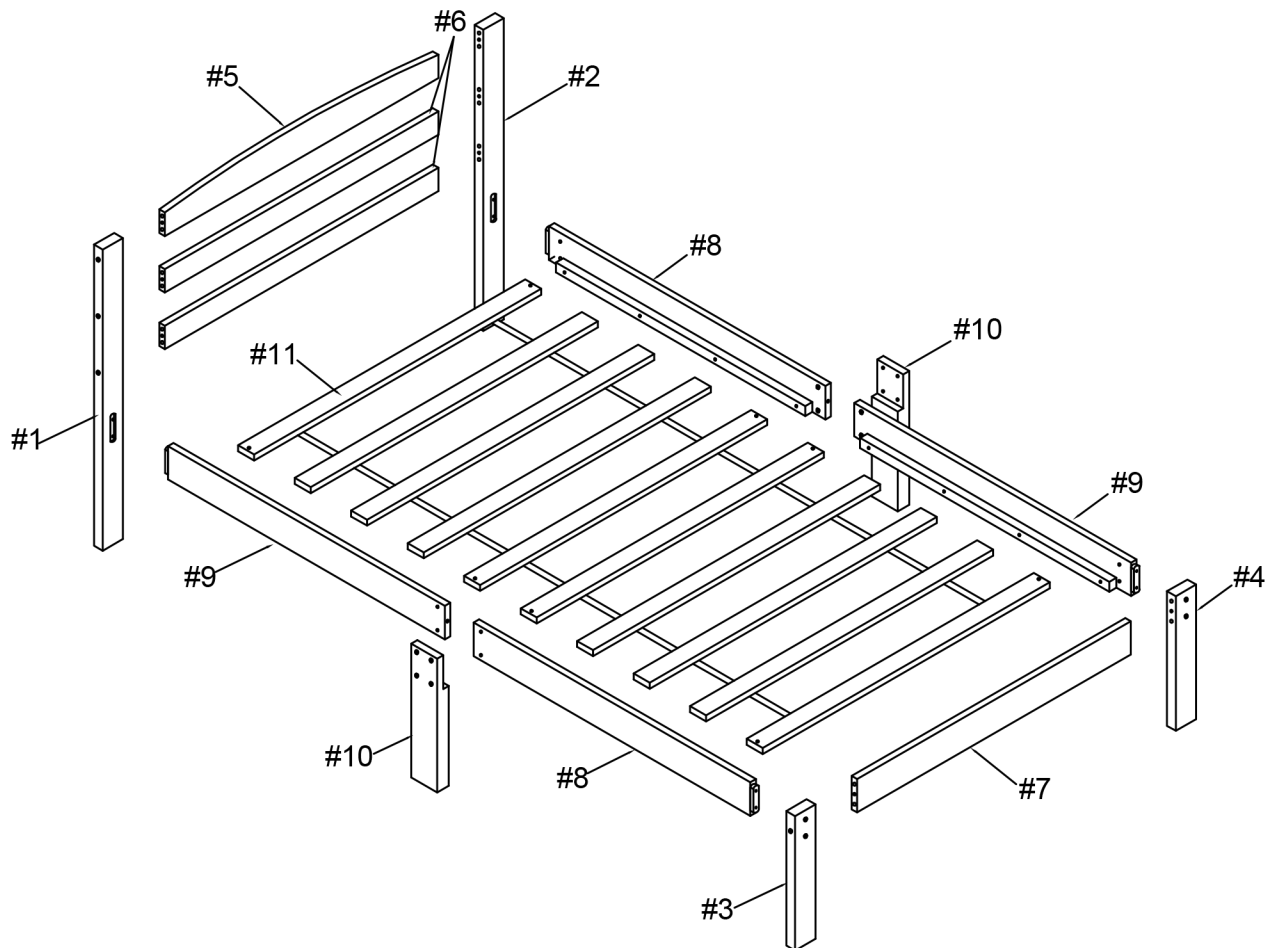
#9 x 2pcs
Side Rail



#11 x 1set
Twin Slat Kit (10pcs)



#10 x 2pcs
Support Leg

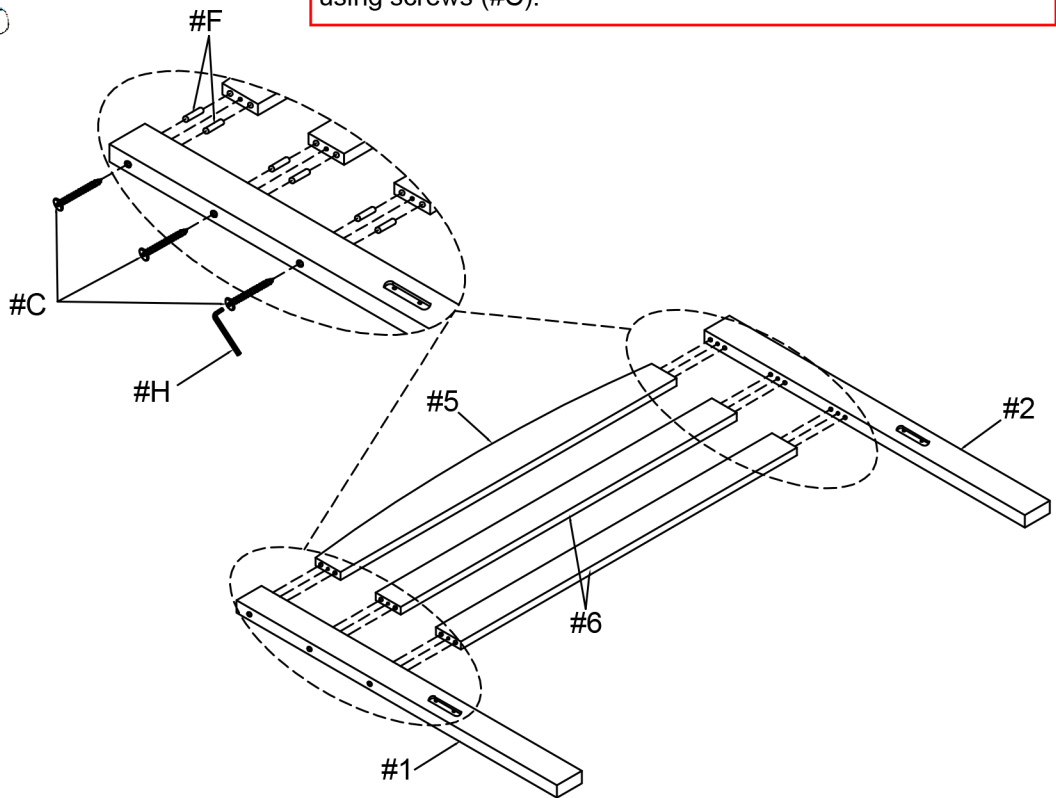




#1

#C x 6pcs
#F x 12pcs

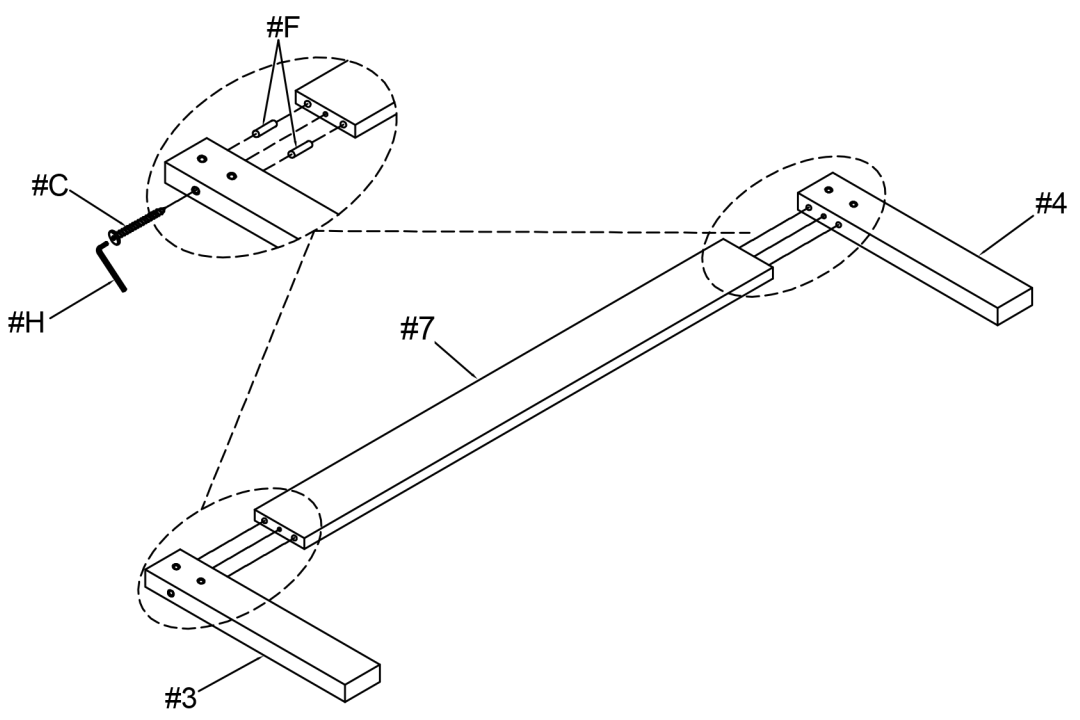
Attach dowels (#F) on each end of the bar beds (#5,6), then align bar beds (#5,6) to the headboard legs (#1,2). Secure by using screws (#C).



#2

#C x 2pcs
#F x 4pcs

Insert dowels (#F) to each ends of the footboard panel (#7), then align footboard panel (#7) to footboard legs (#3,4). Secure by using screws (#C).

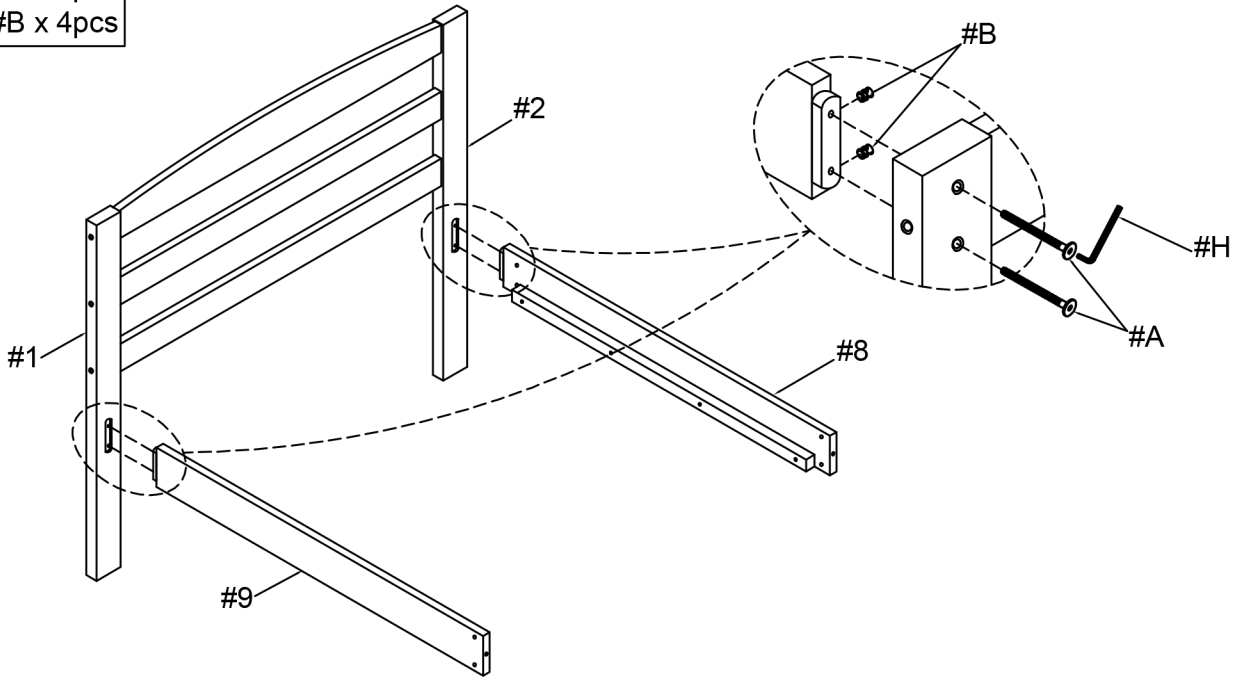




#3

#A x 4pcs
#B x 4pcs

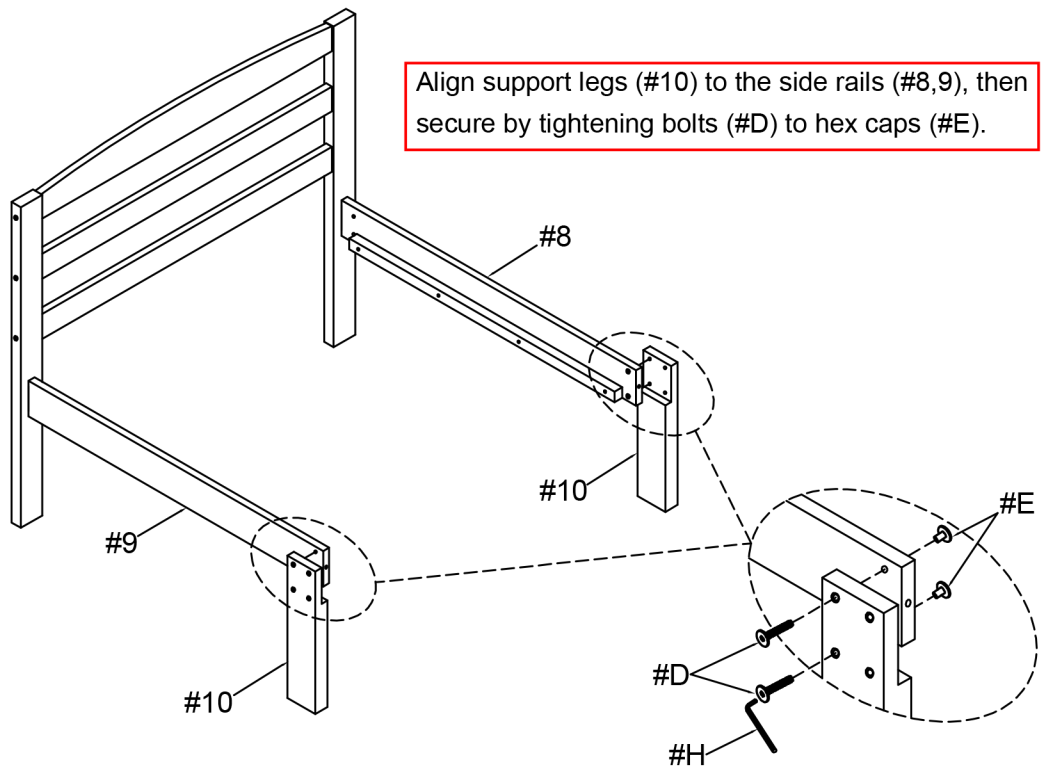
Align side rails (#8,9) to the headboard (#1,2), then insert barrel nuts (#B) to the inner side holes of the side rails (#8,9). Secure by tightening bolts (#A) onto barrel nuts (#B).



#4

#D x 4pcs
#E x 4pcs

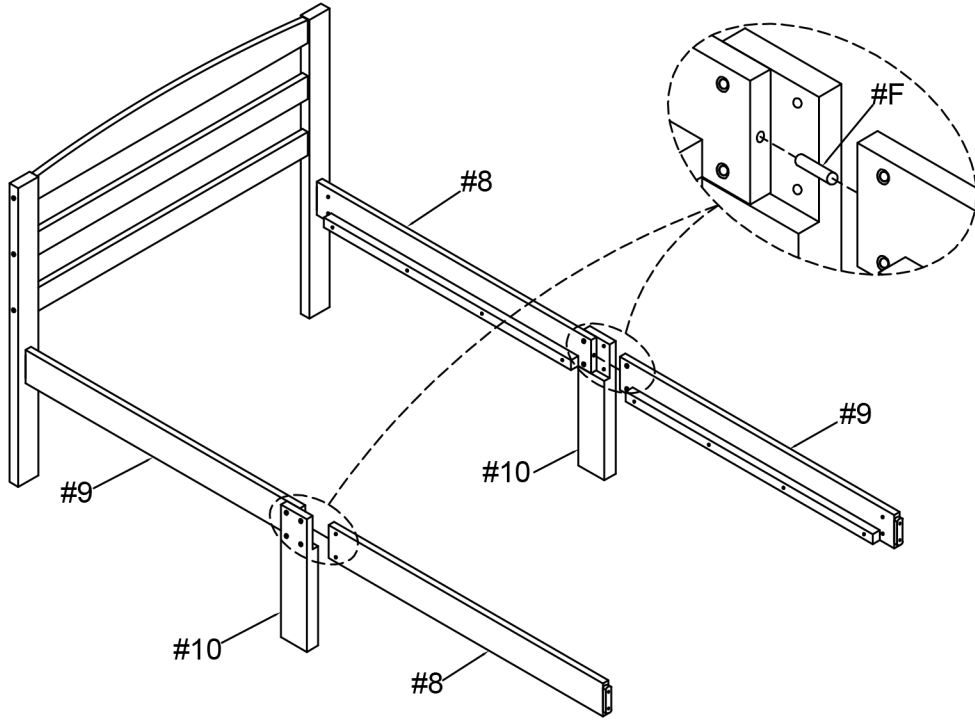
Align support legs (#10) to the side rails (#8,9), then secure by tightening bolts (#D) to hex caps (#E).





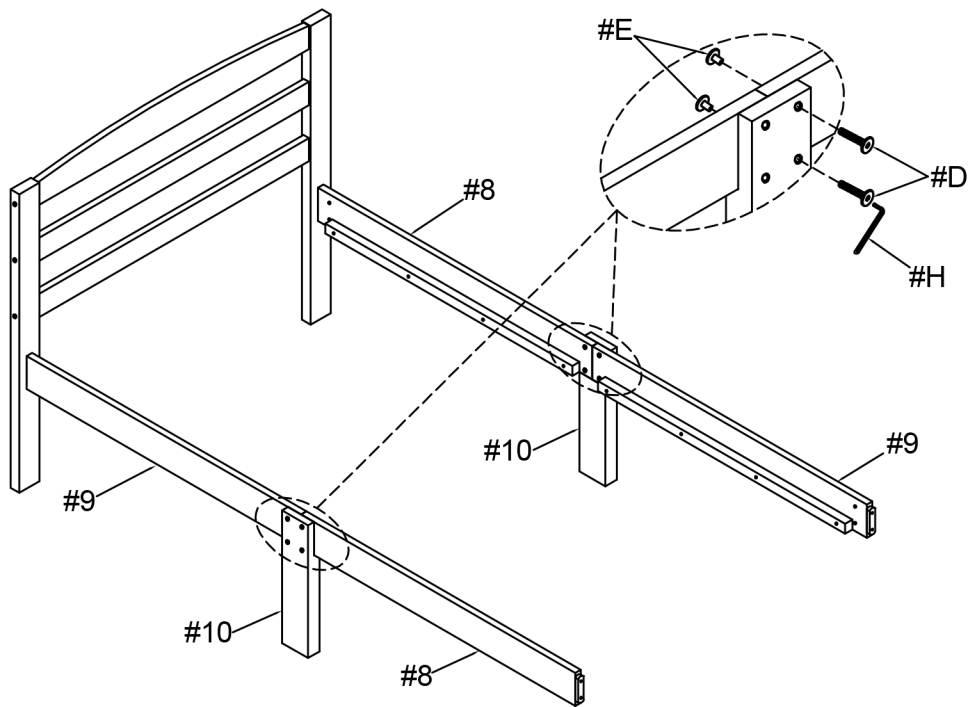
Insert dowels (#F) onto side rails (#8,9), then align side rails (#8,9) to each other as shown in the diagram.

#F x 2pcs



Secure side rails (#8,9) to support legs (#10) by tightening bolts (#D) onto hex caps (#E).

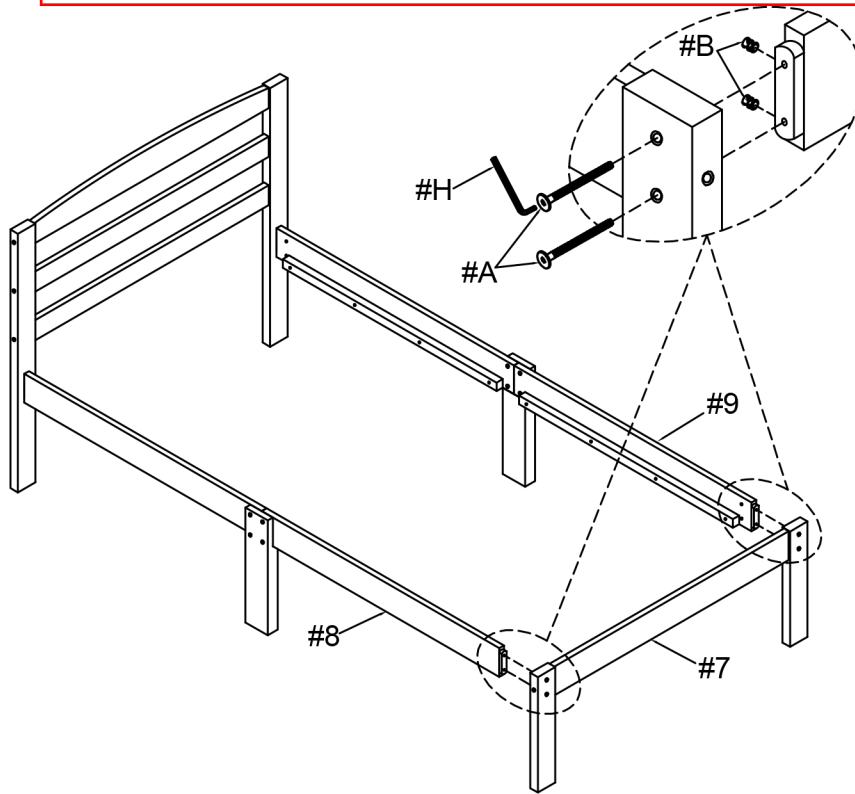
#D x 4pcs
#E x 4pcs





Align footboard (#7) to the side rails (#8,9), then insert barrel nuts (#B) to the side holes of the side rails (#8,9). Secure by tightening bolts (#A) onto barrel nuts (#B).

#A x 4pcs
#B x 4pcs



Align slats (#11) onto side rails, then secure by using screws (#G).

#G x 8pcs

