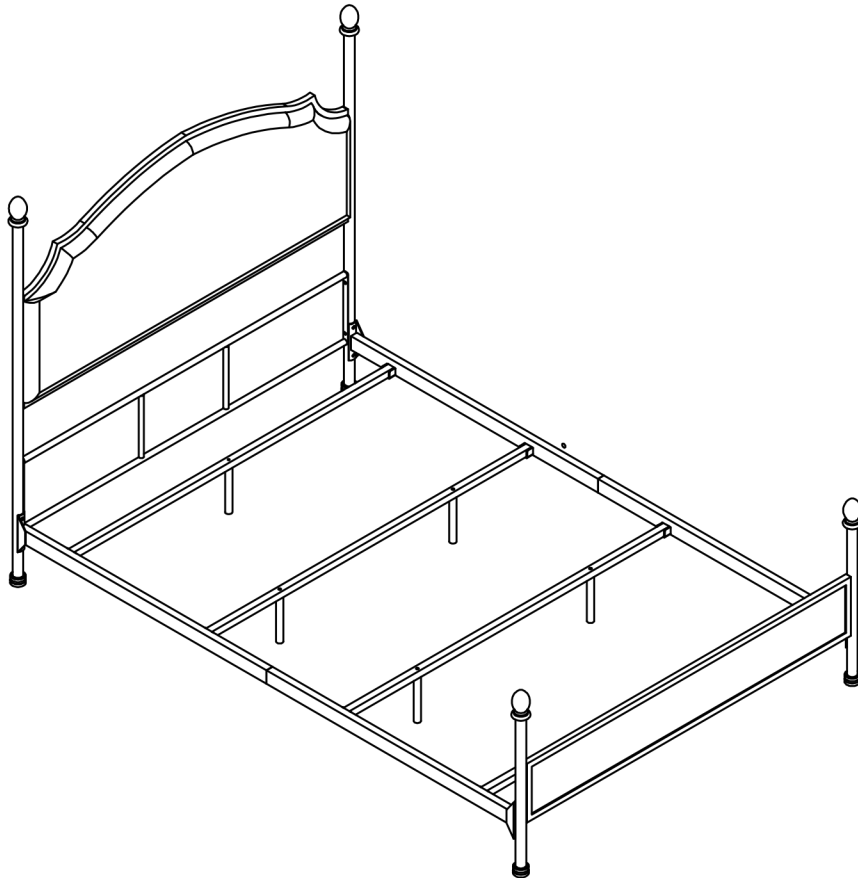


# Assembly Instructions



## ASSEMBLY RATING

The Assembly Rating is a 5-point system that shows the degree of effort needed in assembling a specific product (with 1 being easy and 5 being difficult). For some products, two persons are recommended.

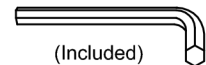
EASY



DIFFICULT

## Tools Required For Assembly:

Allen Wrench

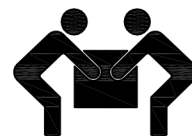


(Included)

Phillips Screwdriver



(Not Included)

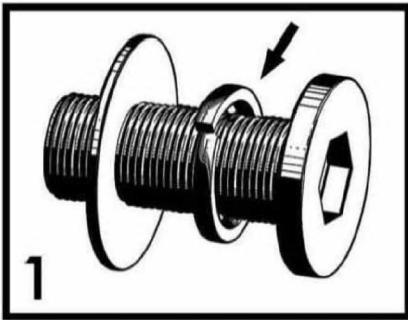


2 PERSONS RECOMMENDED

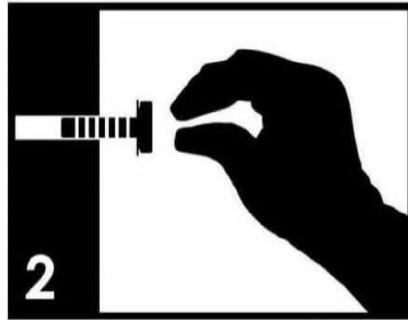
# ASSEMBLY & CARE ADVICE

FOR YOUR FURNITURE TO LAST, CORRECT ASSEMBLY AND PROPER MAINTENANCE ARE NECESSARY. PLEASE FOLLOW THE INFORMATION PROVIDED BELOW TO FULLY ENJOY YOUR FURNITURE.

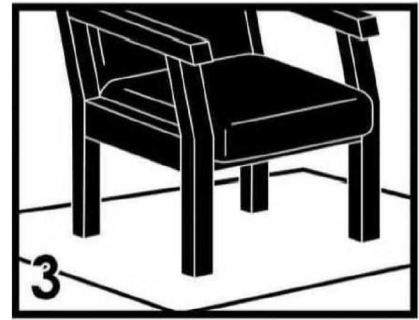
## BASIC ASSEMBLY TECHNIQUES



When lock or spring washer is used in an assembly, please make sure the lock or spring washer is placed between the larger flat washer and the head of the screw or bolt.



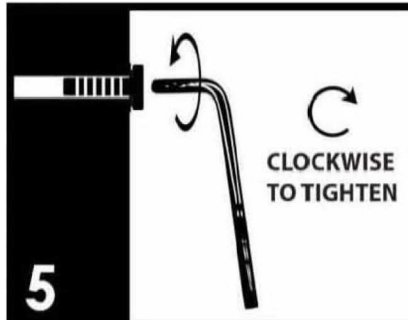
Position each part correctly and insert screws or bolts into their respective holes by hand tighten or using the proper hand tool. Only tighten when step is completed or when instructed to do so.



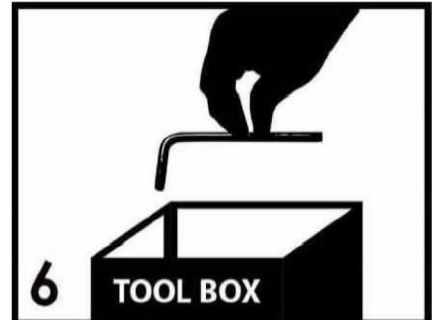
Use cardboard or carpet area when assembling furniture to prevent scratches. Make sure the furniture rests on a flat and level surface with each leg evenly touching the floor.



Some furniture comes with height adjustment knobs underneath each leg. To lower or to raise each leg, you need to turn clockwise or counterclockwise, respectively.



Make sure all parts are properly aligned, then use the appropriate hand tool to completely tighten the bolts or screws. Do not use power tools and do not overtighten.

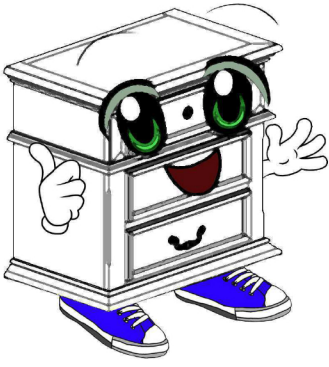


Save the instructions and store the Allen wrench or any supplied tool for later maintenance. After two weeks, check and tighten any loose hardware and repeat again every six months thereafter.

IT IS THE USER'S RESPONSIBILITY TO MAINTAIN THE FURNITURE. THE HARDWARE MAY LOOSEN OVER TIME AND MAY CAUSE THE FURNITURE TO BE WOBBLY AND UNABLE TO SUPPORT ITS INTENDED WEIGHT CAPACITY. THIS MAY LEAD TO COLLAPSE AND MAY CAUSE SERIOUS INJURY.



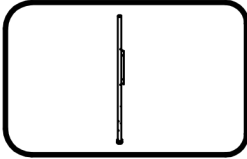
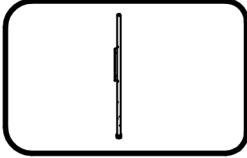
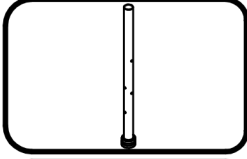
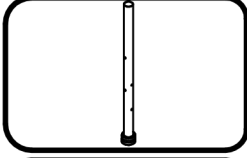
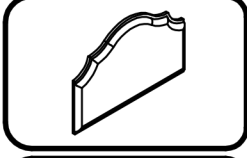
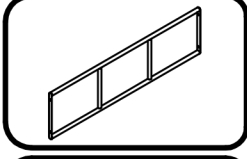
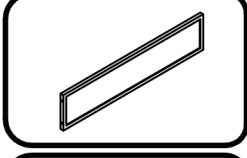
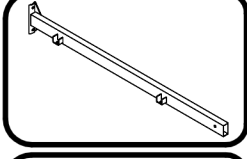
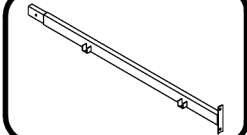
**FAILURE TO FOLLOW THE GUIDELINES ABOVE MAY RESULT IN INJURY AND/OR PROPERTY DAMAGE.**



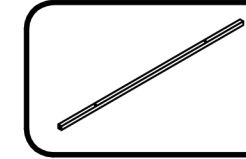
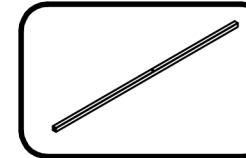
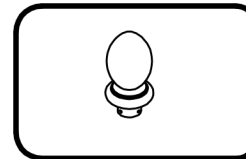
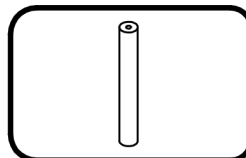
Before you begin, please read Page 2 of "Assembly and Care Advice".

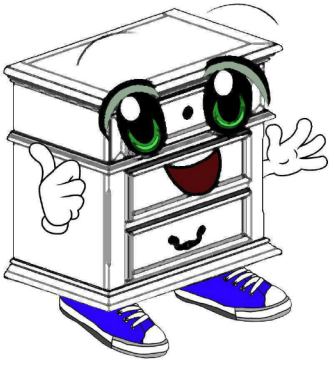
And remember, do not tighten until each step is completed or instructed.

### Parts List

-  #1 x 1pc  
Left Headboard Post
-  #2 x 1pc  
Right Headboard Post
-  #3 x 1pc  
Left Footboard Post
-  #4 x 1pc  
Right Footboard Post
-  #5 x 1pc  
Cushion Panel
-  #6 x 1pc  
Headboard Panel
-  #7 x 1pc  
Footboard Panel
-  #8 x 2pcs  
Side Rails 1
-  #9 x 2pcs  
Side Rails 2

### Parts List

-  #10 x 2pcs  
Mattress Rails 1
-  #11 x 2pcs  
Mattress Rails 1
-  #12 x 4pcs  
Finial
-  #13 x 6pcs  
Support Legs-169MMx $\phi\frac{7}{8}$ "



Before you begin, please read Page 2 of "Assembly and Care Advice".

And remember, do not tighten until each step is completed or instructed.

## Hardware List



#A x 18pcs  
Bolt 1/4"x 5/8"



#B x 8pcs  
Bolt 1/4"x 7/8"



#C x 4pcs  
Bolt 1/4"x 1-1/2"



#D x 8pcs  
Bolt 1/4"x 1-3/4"



#E x 2pcs  
Bolt 1/4"x 2"



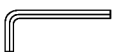
#F x 4pcs  
Screw M4x17L



#G x 28pcs  
Washer  $\phi$ 16mm



#H x 4pcs  
Washer  $\phi$ 12mm



#I x 1pc  
Allen Wrench

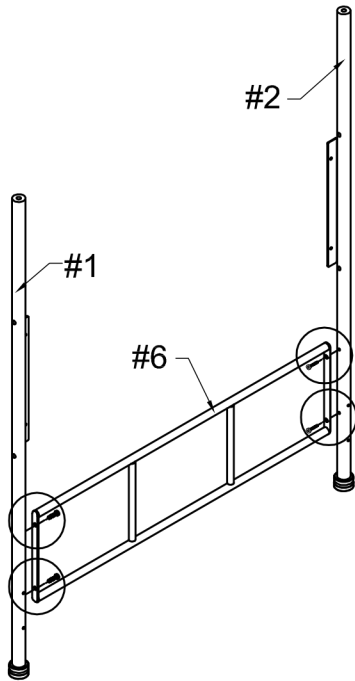


## ASSEMBLY

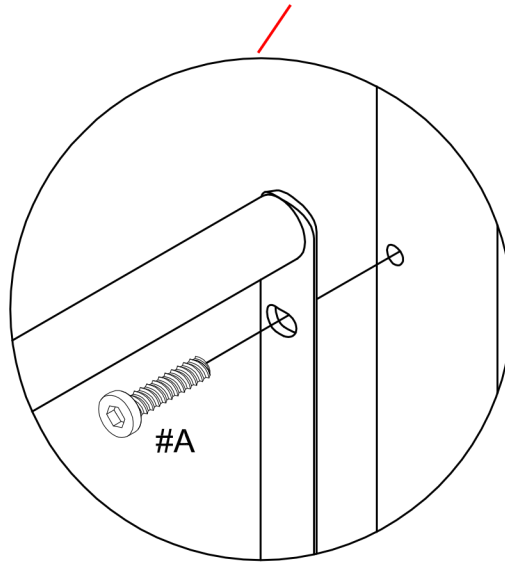
Do not fully tighten all bolts until assembly is complete. This will help all parts to assemble properly.

#A  4pcs

#I 



Align the left and right headboard post (#1,2) to the holes of the headboard panel (#6). Secure with bolts (#A).



1) Align cushion panel (#5) to the holes in-between the headboard posts (#1,2).

#D  2pcs

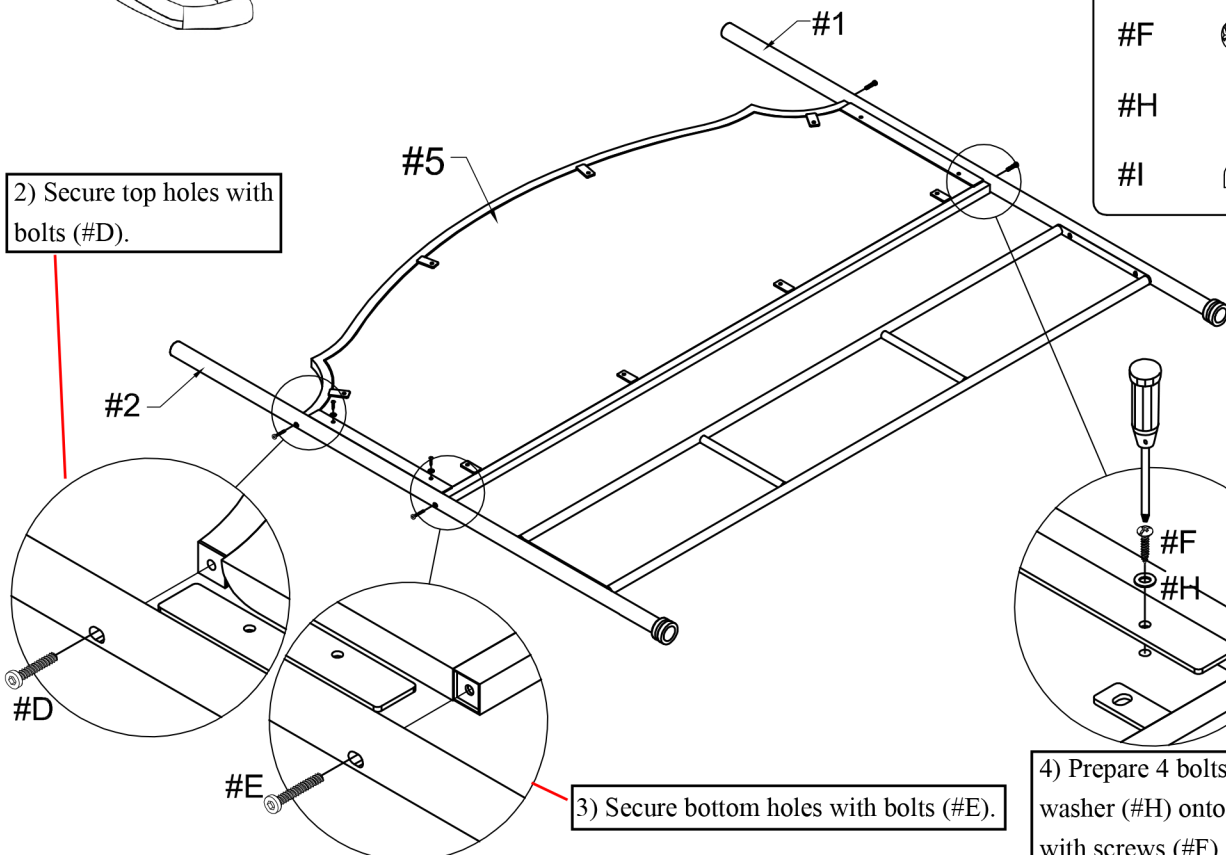
#E  2pcs

#F  4pcs

#H  4pcs

#I 

2) Secure top holes with bolts (#D).



This screwdriver is not provided.

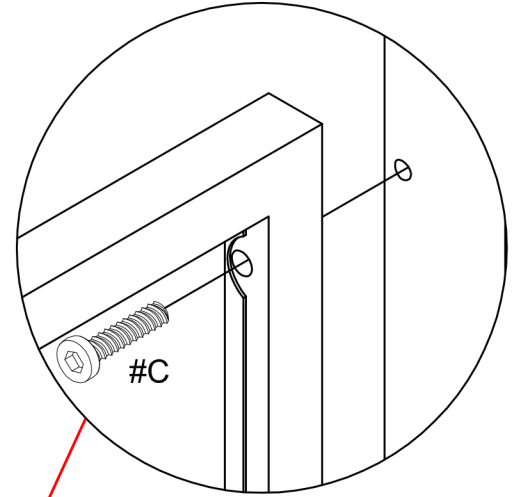
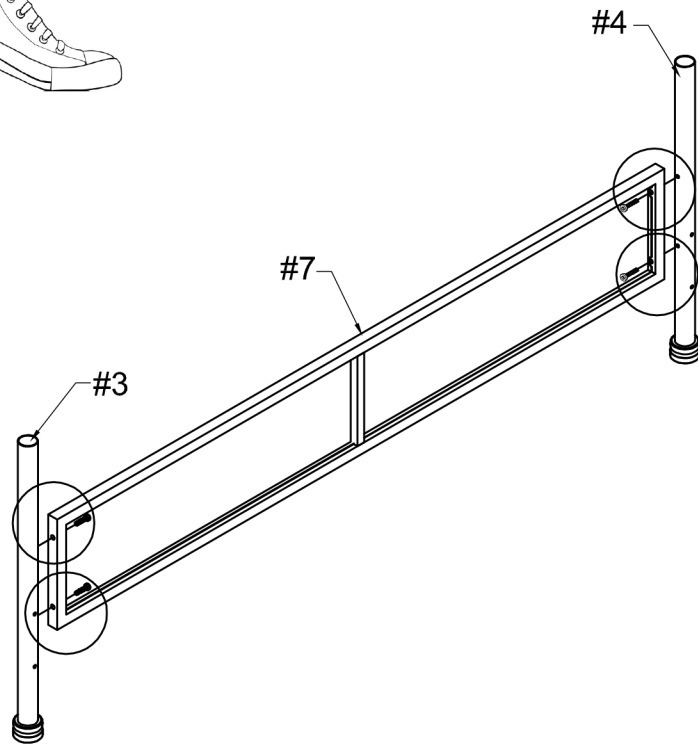
3) Secure bottom holes with bolts (#E).

4) Prepare 4 bolts assembly by inserting washer (#H) onto screws (#F). Secure with screws (#F).



#C  4pcs

#I 



Align footboard panel (#7) to the holes of the left and right footboard post (#3,4), then secure with bolts (#C).

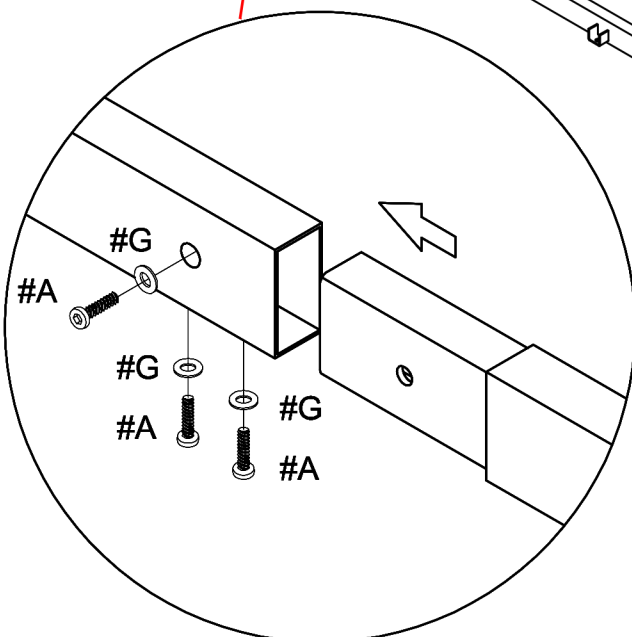
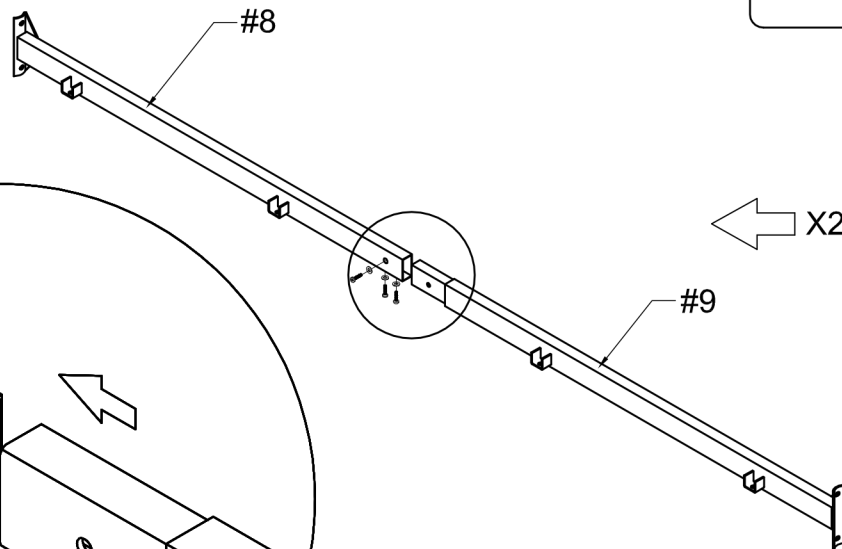


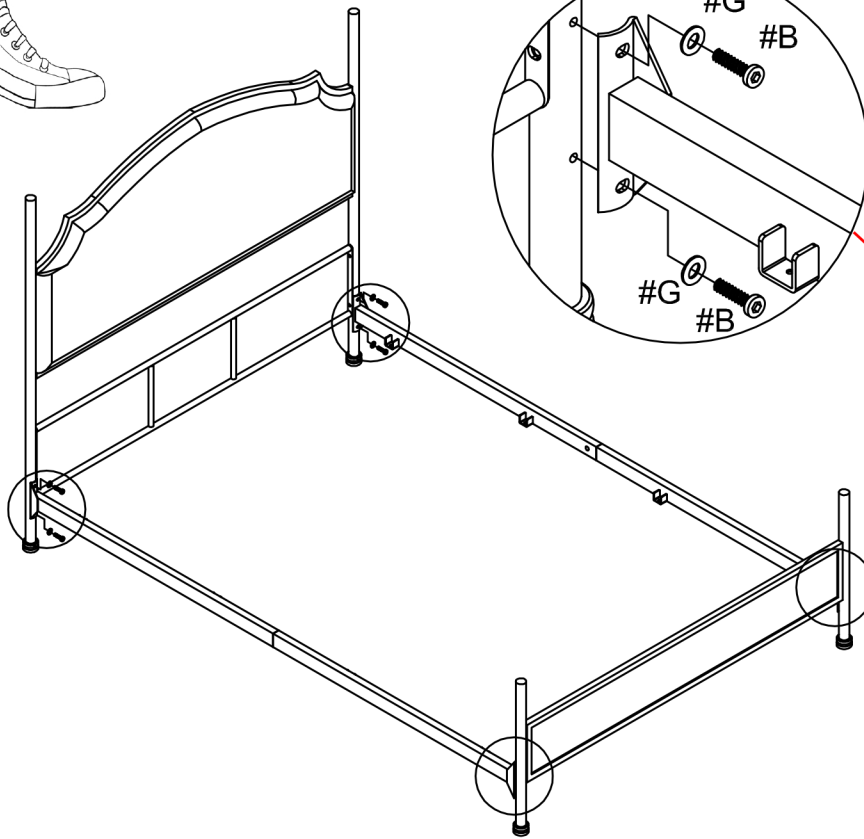
Prepare 6 bolts assembly by inserting lock washer (#G) onto bolts (#A). Align side rails 1 (#8) to the holes of side rails 2 (#9). Secure with bolts (#A).

#A  6pcs

#G  6pcs

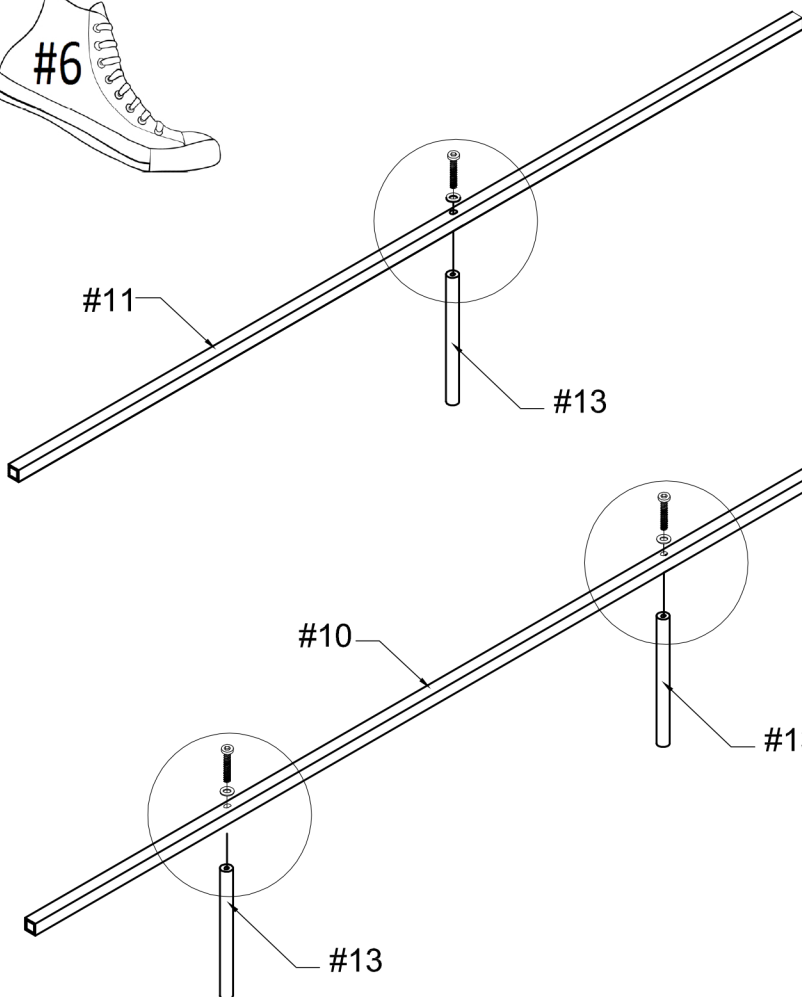
#I 





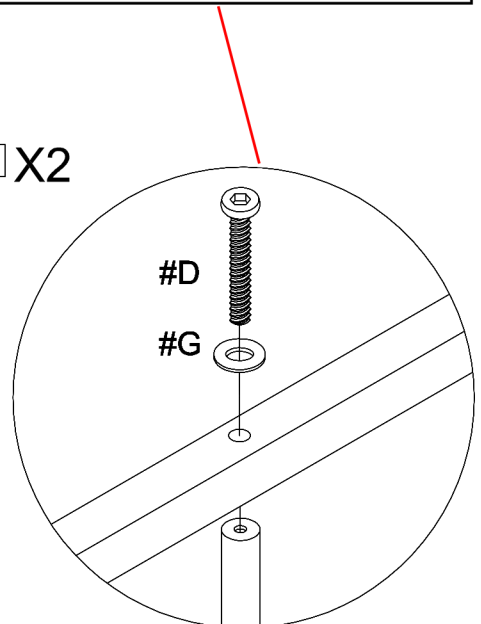
- |    |  |      |
|----|--|------|
| #B |  | 8pcs |
| #G |  | 8pcs |
| #I |  |      |

Prepare 8 bolts assembly by inserting washer (#G) onto bolts (#B). Align side rails to the holes of the headboard and footboard. Secure with bolts (#B).






- |    |  |      |
|----|--|------|
| #D |  | 6pcs |
| #G |  | 6pcs |
| #I |  |      |

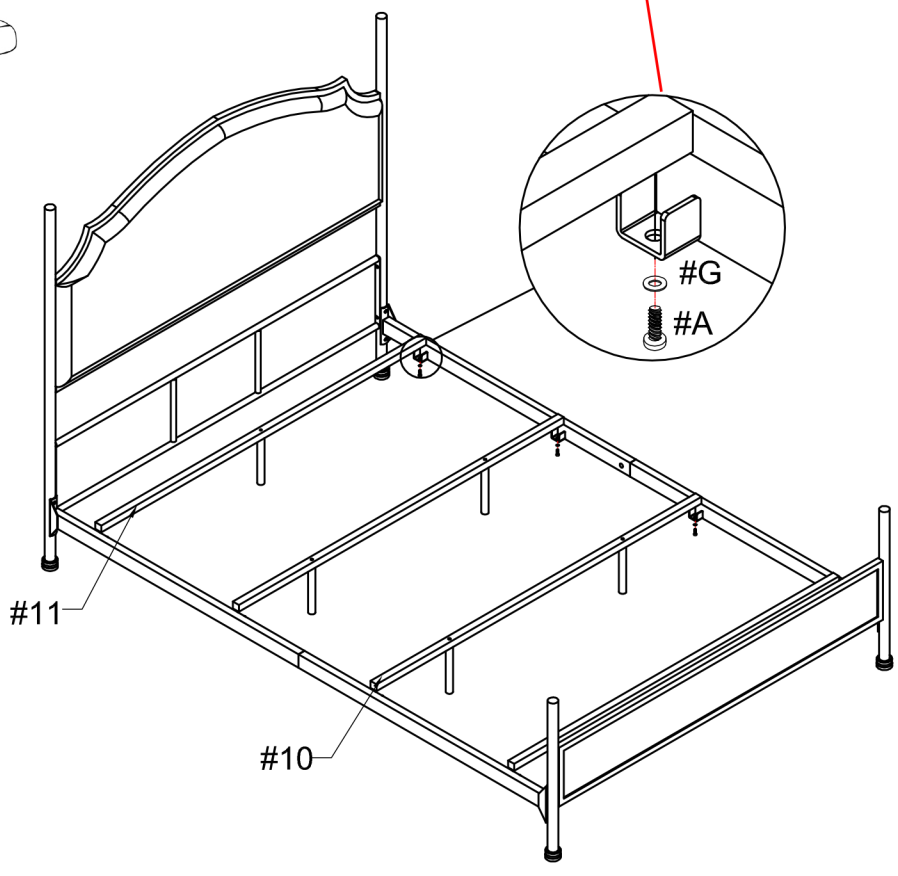
Prepare 6 bolts assembly by inserting washer (#G) onto bolts (#D). Align support legs (#13) to the holes of the mattress rails (#10,11). Secure with bolts (#D).



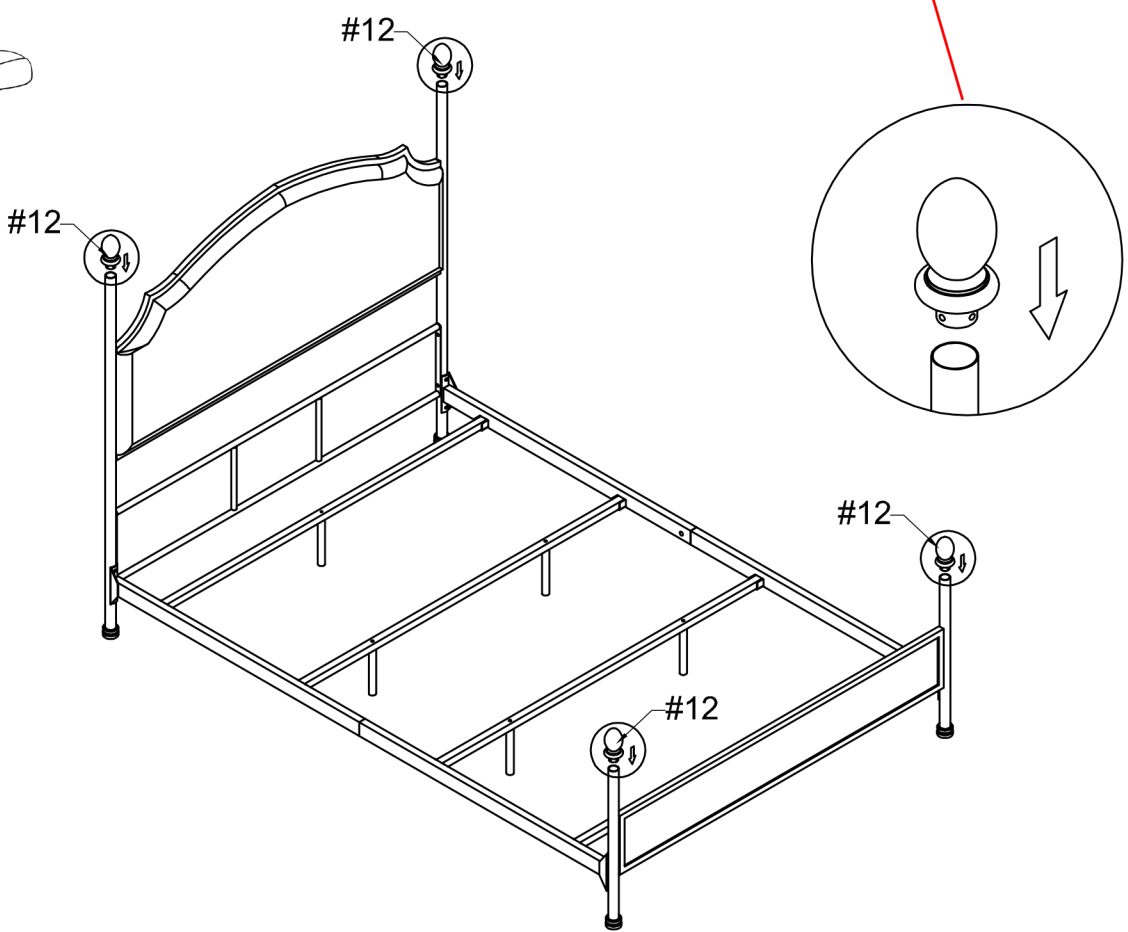


Prepare 8 bolts assembly by inserting washer (#G) onto bolts (#A). Align mattress rails (#11) to the outer holes of the side rails and mattress rails (#10) to the inner holes of the side rails. Secure with bolts (#A).

#A		8pcs
#G		8pcs
#I		



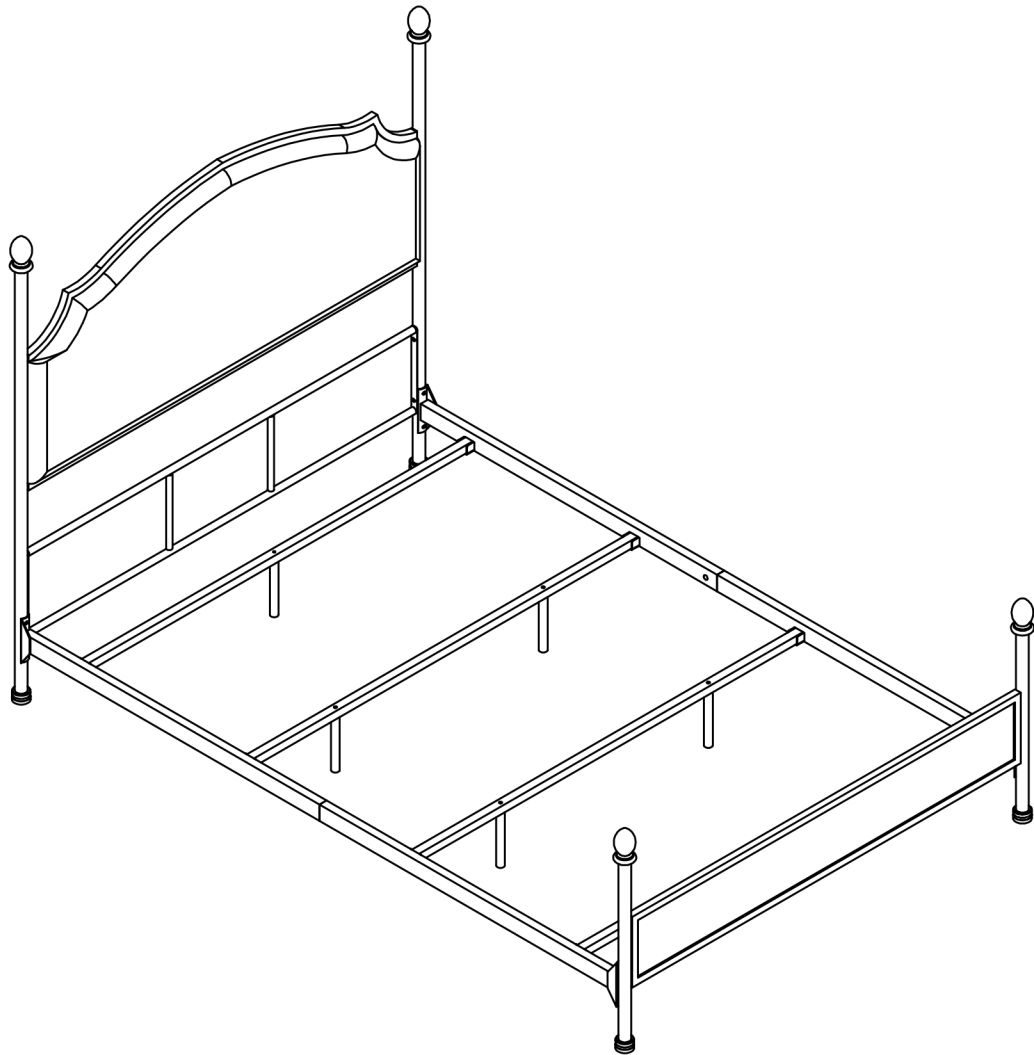
Attach the knobs to the headboard and footboard.







## Assembly Completed



### **WARNINGS:**

- Do not remove warning label from bed.
- Use only mattress which is 79"-80" long and 53"-54"wide.
- Use only mattress which is 79"-80" long and 59"-60"wide.
- Do not allow horseplay or under the bed and prohibit jumping on the bed.
- Periodically check and ensure that all the components are in their proper position, free from damage, and that all connectors are tight.
- Do not use substitute parts, Contact the store for replacement part.
- Maximum total weight is not to exceed 600 lbs.

**Keep these instructions for future reference.**