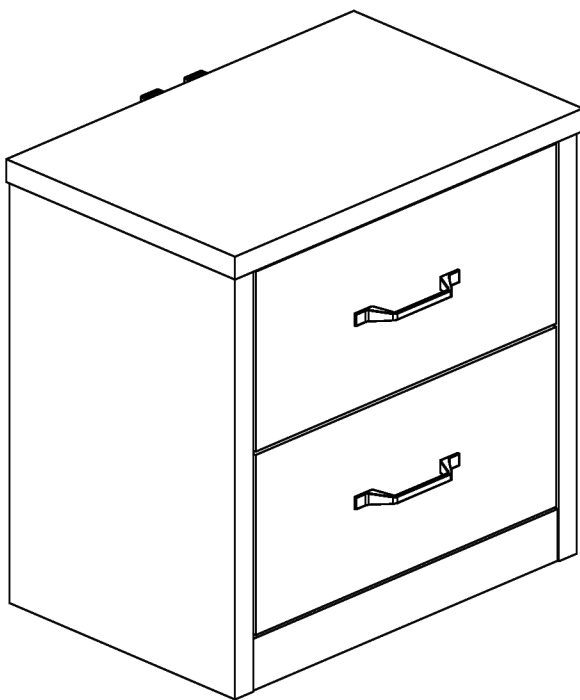


ASSEMBLY INSTRUCTIONS



TOOLS REQUIRED



Allen Wrench

(Included)



**Phillips
Screwdriver**

(Not Included)



**2 - People
Recommended**

ASSEMBLY RATING



EASY —————> DIFFICULT

The Assembly Rating is a 5-point system showing the level of effort needed to assemble a specific product.



CHECK BEFORE STARTING

Are you missing anything?

Double-check all parts, hardware and accessories listed are all accounted for.

Check out our Quick Tips!

We recommend reviewing the pre-assembly handouts. Even experts need a refresher now and then!

Should we send any replacements?

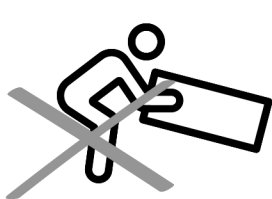
Are there any irregularities or flaws in the parts? We can send replacements!

Prep Time!

Please review the assembly instructions and all diagrams prior to assembling.

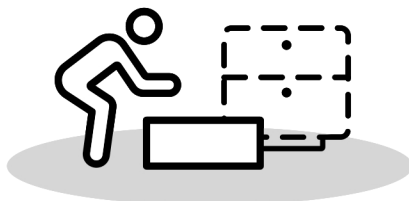
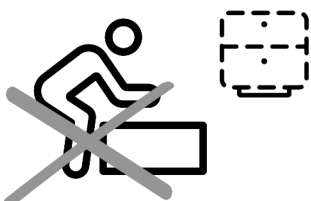
PRE ASSEMBLY INTRODUCTION

We understand building ready-to-assemble furniture can be a challenging experience for some. To help avoid confusion, we have provided some helpful tips that may speed up the process.



Teamwork

ALWAYS have at least two people to help with transporting and assembling the product to avoid potential injury and/or damage.



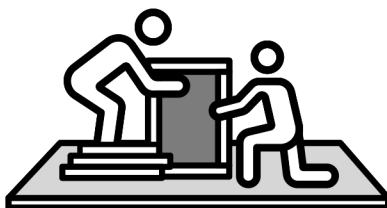
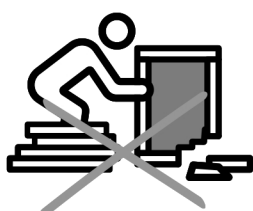
Suitable Location

Assembling near the area of the intended location is highly recommended.



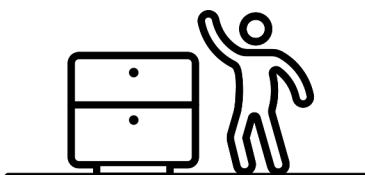
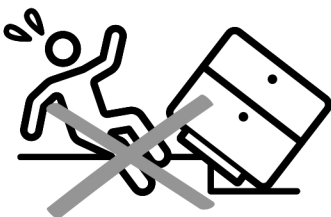
Sufficient Space

Make sure you have enough space to move around during the assembly.



Avoid Scratches

Use cardboard, blankets or a carpeted area while assembling furniture to prevent to prevent scratches and damages.



Flat Surface

Make sure the furniture rests on a flat and level surface with each leg evenly touching the floor.

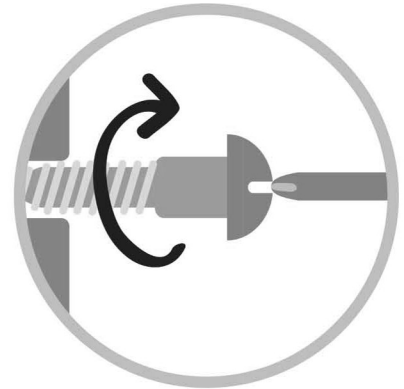
ASSEMBLY AND CARE ADVICE



FAILURE TO FOLLOW THE GUIDELINES BELOW MAY RESULT IN INJURY AND/OR PROPERTY DAMAGE.



Position each part correctly and insert screws or bolts into their respective holes.



Turn clockwise to tighten and only tighten when step is completed or when instructed to do so.



Save the instructions and store any supplied tools for later maintenance.

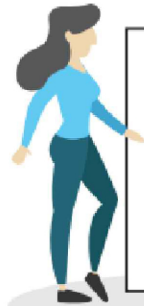
Use the appropriate hand tools or power tools for assembly. Select steps, such as tightening screws and/or bolts, may require hand tools to avoid causing damage during assembly.



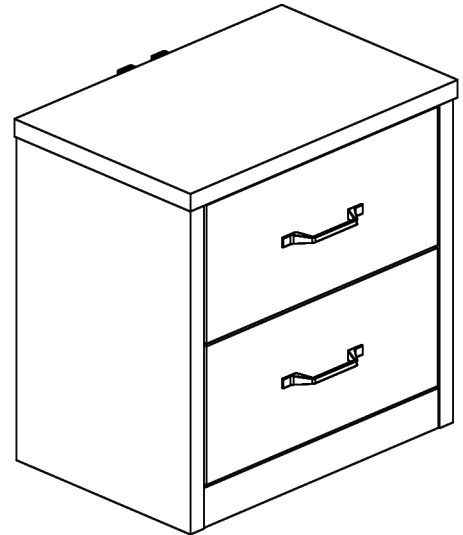
After two weeks, check and tighten any loose hardware and repeat again every six months thereafter.

IT IS THE USER'S RESPONSIBILITY TO MAINTAIN THE FURNITURE. THE HARDWARE MAY LOOSEN OVER TIME AND MAY CAUSE THE FURNITURE TO BE WOBBLY AND UNABLE TO SUPPORT ITS INTENDED WEIGHT CAPACITY. THIS MAY LEAD TO COLLAPSE AND MAY CAUSE SERIOUS INJURY.

NIGHTSTAND

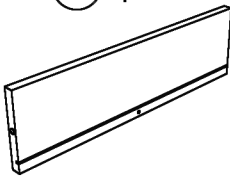


- Please keep instructions for future reference.
- Check the quantity and irregularity of parts and hardware before you start.



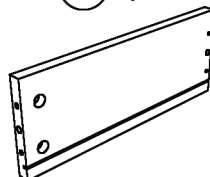
PARTS

#1 2pcs



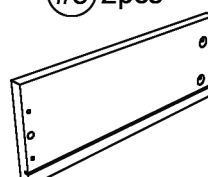
Drawer Back

#2 2pcs



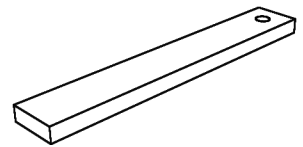
Drawer Side (L)

#3 2pcs



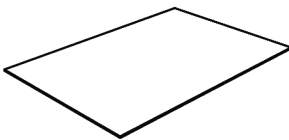
Drawer Side (R)

#4 2pcs



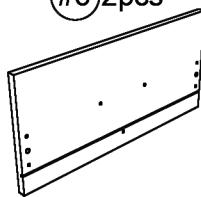
Drawer Bottom Support

#5 2pcs



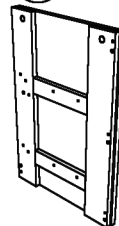
Drawer Bottom Panel

#6 2pcs



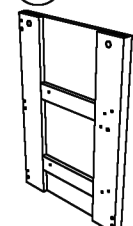
Drawer Head

#7 1pc



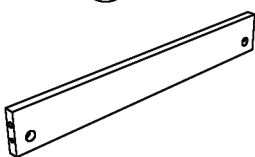
Side Panel (L)

#8 1pc



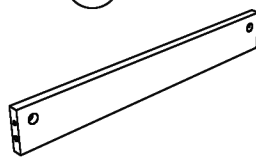
Side Panel (R)

#9 2pcs



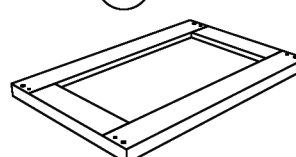
Front Rail

#10 3pcs



Back Rail

#11 1pc



Top Panel

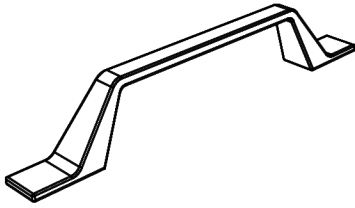
#12 2pcs



Back Panel

HARDWARE

#A 2pcs



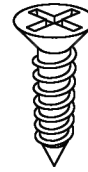
Drawer Handle

#B 4pcs



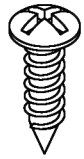
Trust Head Screw
M4x20 mm

#C 28pcs



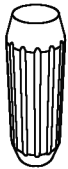
CSK Screw
M3.5x16 mm

#D 16pcs



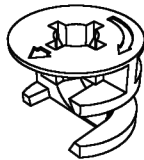
Panhead Screw
M4x16 mm

#E 22pcs



Plastic Dowel
M8x25 mm

#F 24pcs



Minifix Cam Lock

#G 24pcs



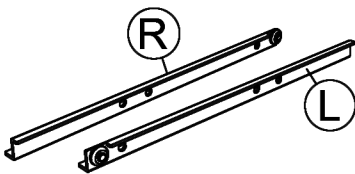
Minifix Cam Bolt
M4x24 mm

#H 10pcs



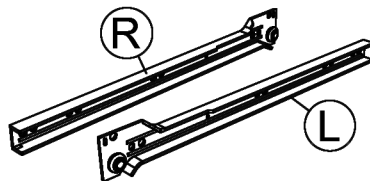
Panhead Screw
M4x32 mm

#I 4pcs



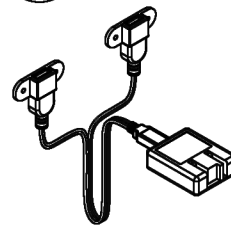
Drawer Slide

#J 4pcs



Body Slide

#K 1set



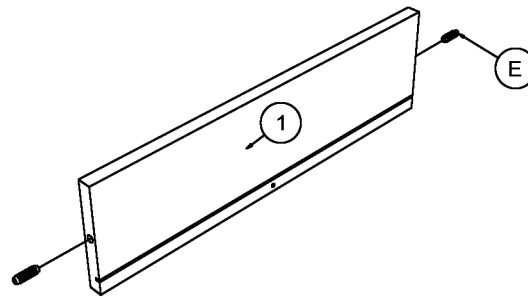
Power Adapter & Cord

ASSEMBLY INSTRUCTIONS - DRAWER BOX

1

Part #1 x2pcs

Hardware #E x4pcs

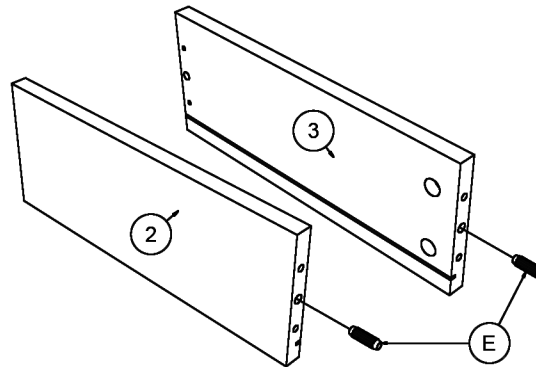


2

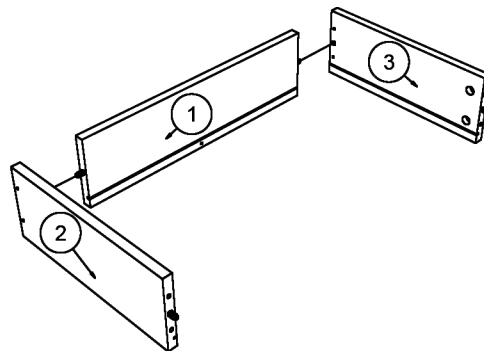
Part #2 x2pcs

Part #3 x2pcs

Hardware #E x4pcs

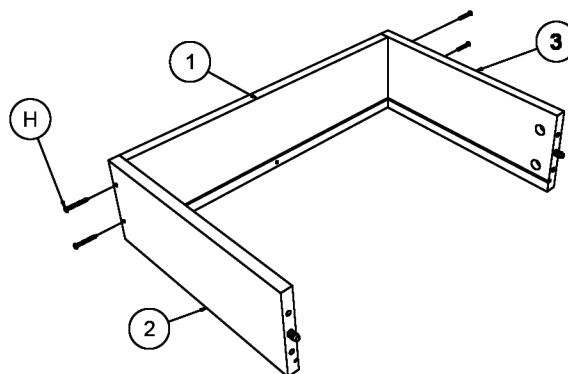


3



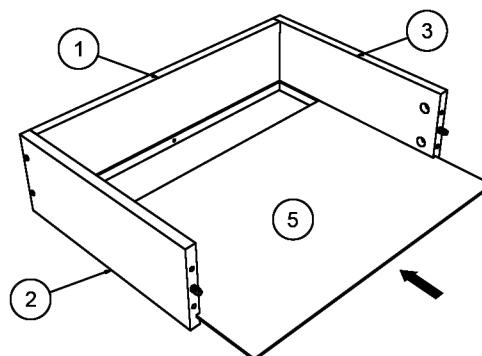
4

Hardware #H x8pcs



5

Part #5 x2pcs

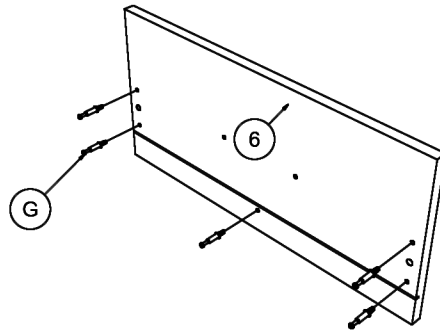


ASSEMBLY INSTRUCTIONS - DRAWER BOX

6

Part #6 x2pcs

Hardware #G x10pcs

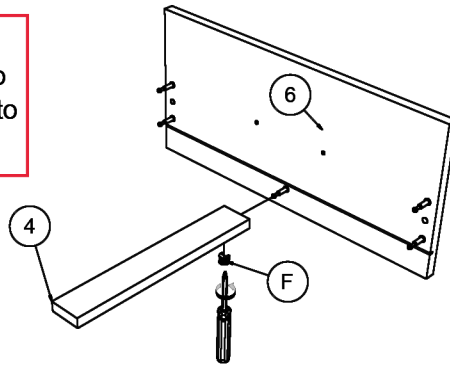


7

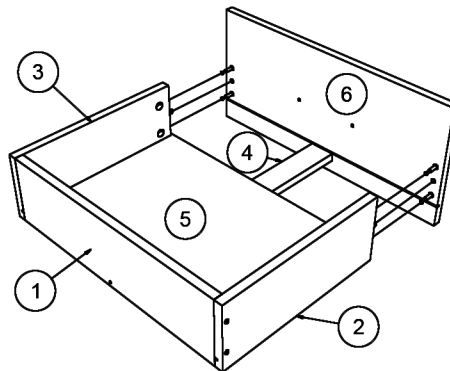
Part #4 x2pcs

Hardware #F x2pcs

Please reference on the bottom of page 9 on how to connect cam bolts (#G) onto cam locks (#F).

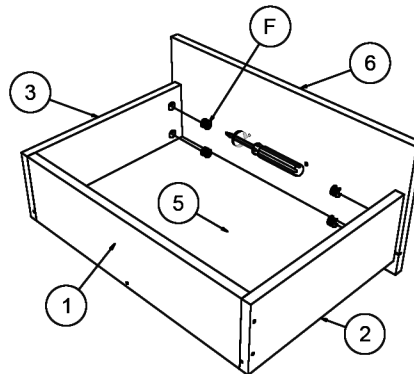


8



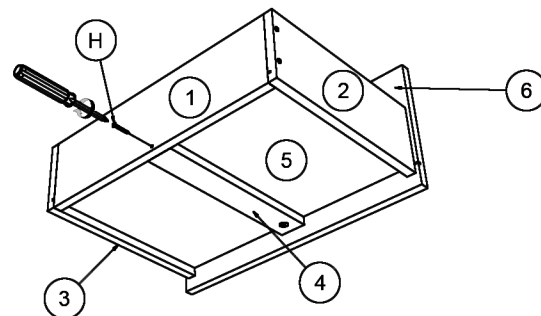
9

Hardware #F x8pcs



10

Hardware #H x2pcs



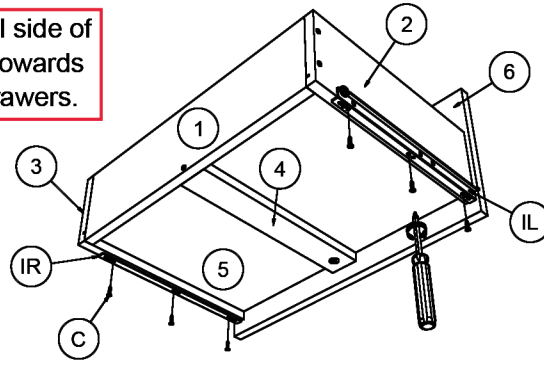
ASSEMBLY INSTRUCTIONS - DRAWER BOX

11

Hardware #C x12pcs

Hardware #I x4pcs

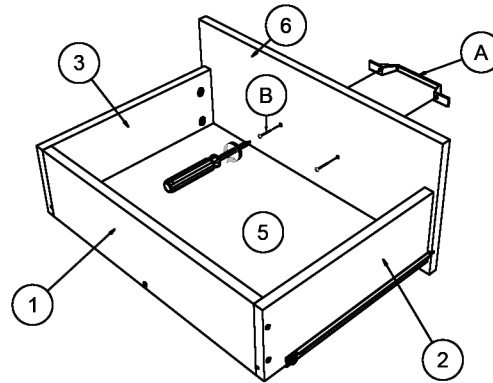
Ensure that the wheel side of the rails (#IR/IL) are towards to back area of the drawers.



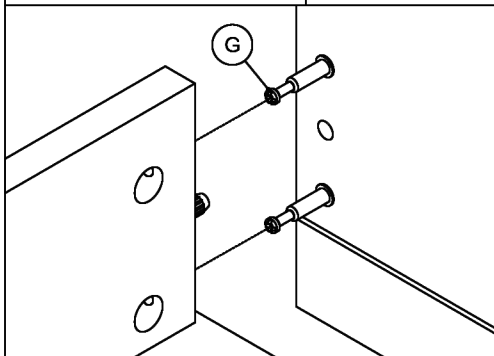
12

Hardware #A x2pcs

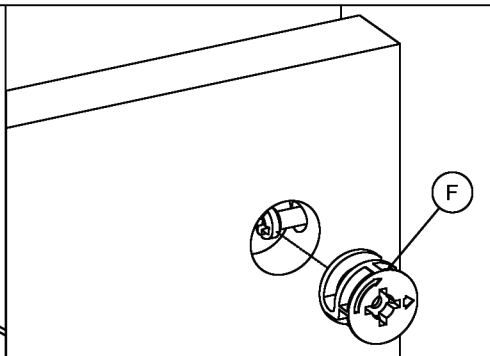
Hardware #B x4pcs



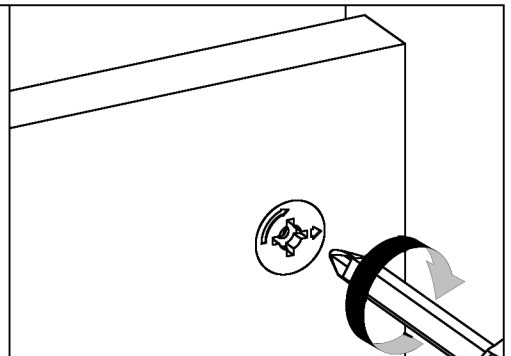
REMINDER !



1. Fix the Cam Bolt (G) first before inserting Cam Lock (F) to ease the assembly process.



2. When inserting Cam Lock (F), always make sure the arrow pointed towards the respective Cam Bolt (G).

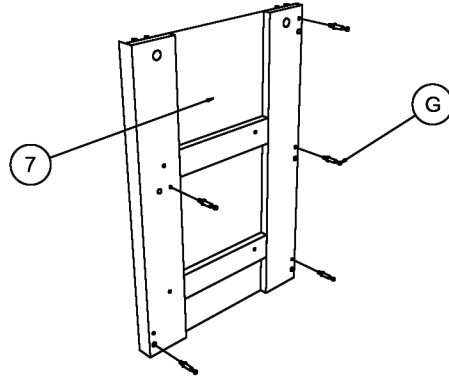


3. Make sure the Cam Lock (F) is completely inserted before turning it clockwise to tighten.

ASSEMBLY INSTRUCTIONS - BODY

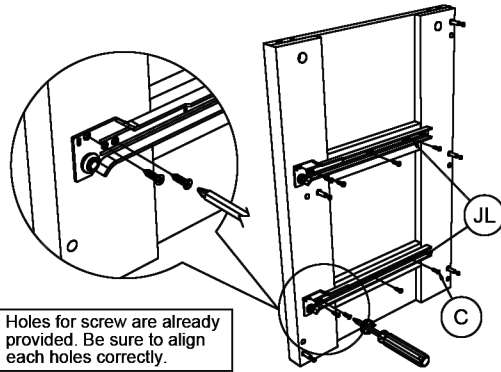
1

Part #7 #8 x1pc
Hardware #G x10pcs



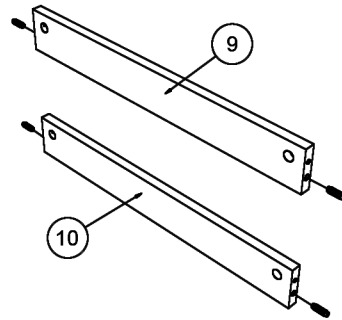
2

Hardware #C x16pcs
Hardware #J x4pcs



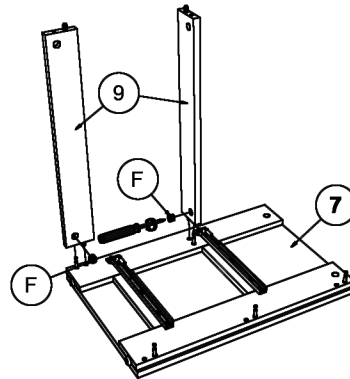
3

Part #9 x2pcs
Part #10 x3pcs
Hardware #E x10pcs



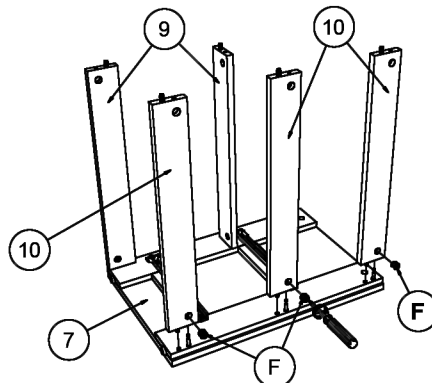
4

Hardware #F x2pcs



5

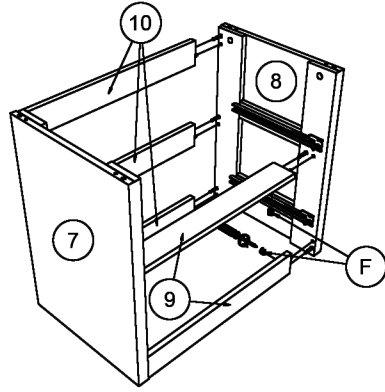
Hardware #F x3pcs



ASSEMBLY INSTRUCTIONS - BODY

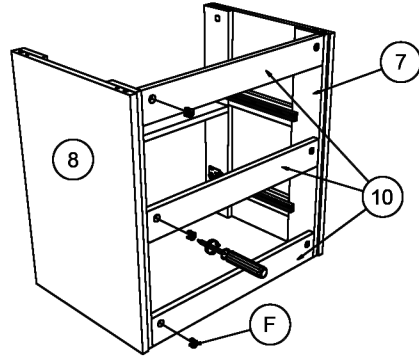
6

Hardware #F x2pcs



7

Hardware #F x3pcs

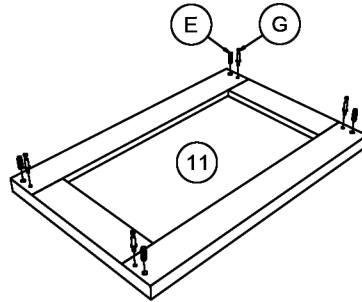


8

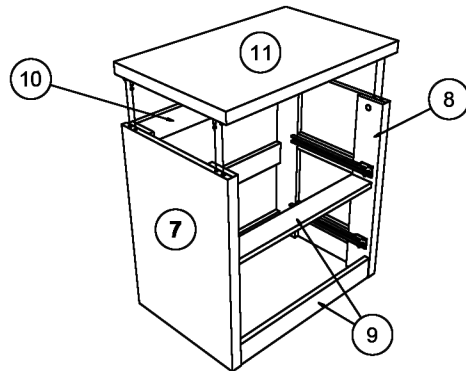
Part #11 x1pc

Hardware #E x4pcs

Hardware #G x4pcs

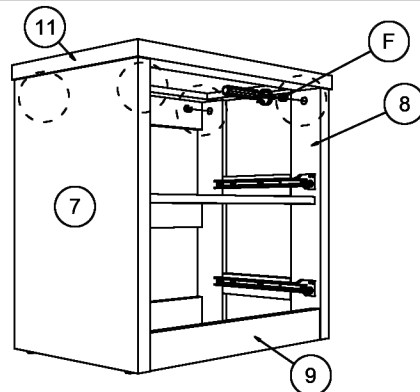


9



10

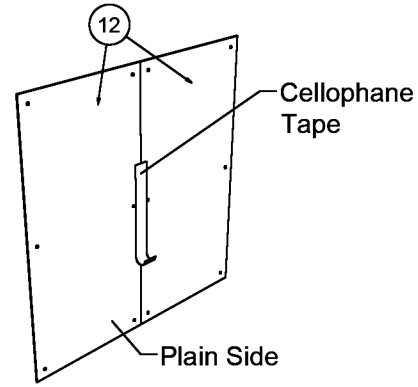
Hardware #F x4pcs



ASSEMBLY INSTRUCTIONS - BODY

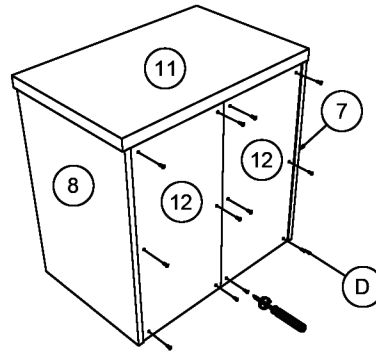
11

Part #12 x2pcs



12

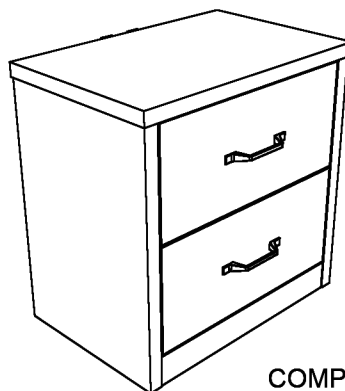
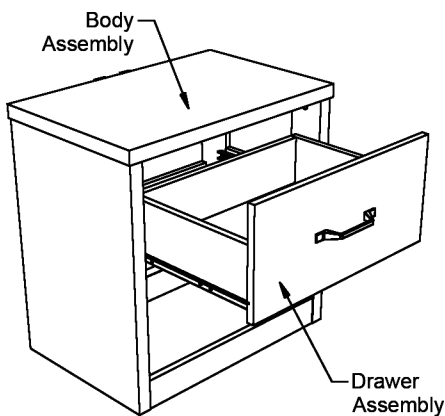
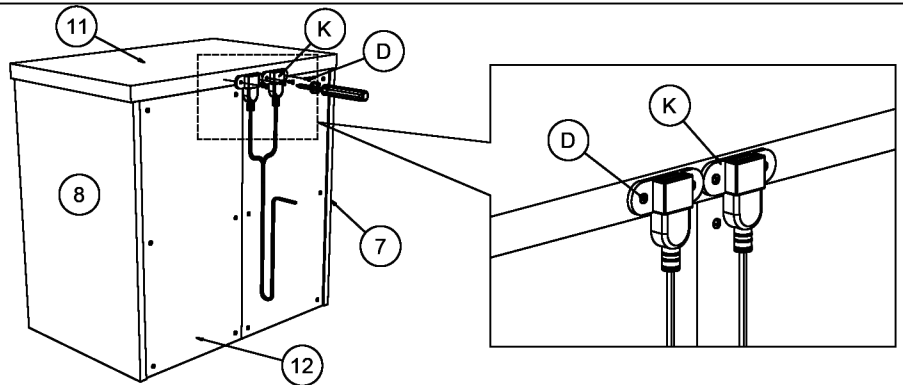
Hardware #D x12pcs



13

Hardware #D x4pcs

Hardware #K x1set



COMPLETE ASSEMBLY

ASSEMBLY COMPLETED



Please ensure the furniture rests on an even and flat surface. If the product wobbles or feels loose, double-check all bolts and/or screws are properly tightened and secured.



Keep this handy!

Please retain this instruction manual and any order-related information for future reference.



Lift, don't drag!

To avoid damage to product please always LIFT the product when transporting or adjusting the placement.