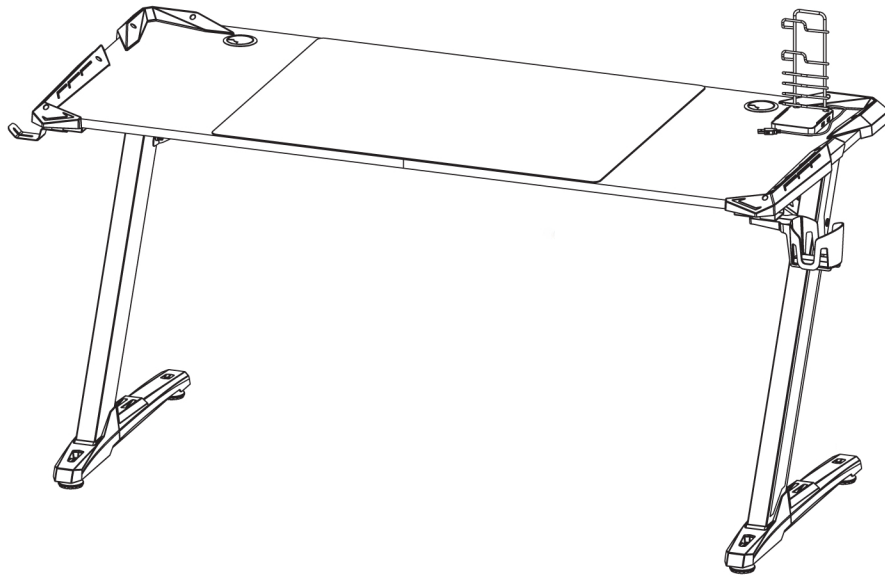


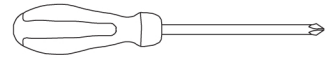
ASSEMBLY INSTRUCTIONS



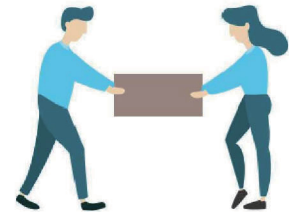
TOOLS REQUIRED



Allen Wrench K4
(Included)

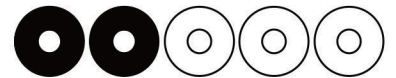


Screwdriver
(Included)



**2 - People
Recommended**

ASSEMBLY RATING



EASY —————> DIFFICULT

The Assembly Rating is a 5-point system showing the level of effort needed to assemble a specific product.



CHECK BEFORE STARTING

Are you missing anything?

Double-check all parts, hardware and accessories listed on Page 6 are accounted for.

Should we send any replacements?

Are there any irregularities or flaws in the parts? We can send replacements!

Check out our Quick Tips!

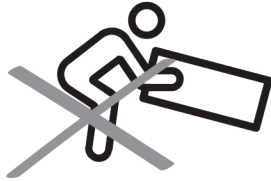
We recommend reviewing the pre-assembly handouts. Even experts need a refresher now and then!

Prep Time!

Please review the assembly instructions and all diagrams prior to assembling. Position parts in order and group identical hardware together for an easier assembly experience.

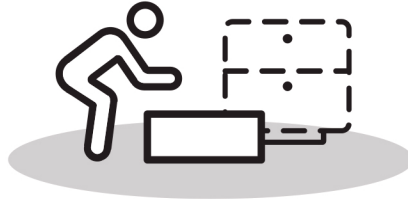
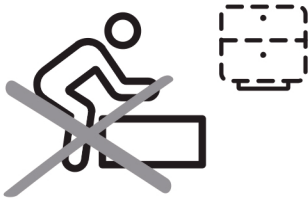
PRE ASSEMBLY INTRODUCTION

We understand building ready-to-assemble furniture can be a challenging experience for some. To help avoid confusion, we have provided some helpful tips that may speed up the process.



Teamwork

ALWAYS have at least two people to help with transporting and assembling the product to avoid potential injury and/or damage.



Suitable Location

Assembling near the area of the intended location is highly recommended.



Sufficient Space

Make sure you have enough space to move around during the assembly.



Avoid Scratches

Use cardboard, blankets or a carpeted area while assembling furniture to prevent scratches.



Flat Surface

Make sure the furniture rests on a flat and level surface with each leg evenly touching the floor.

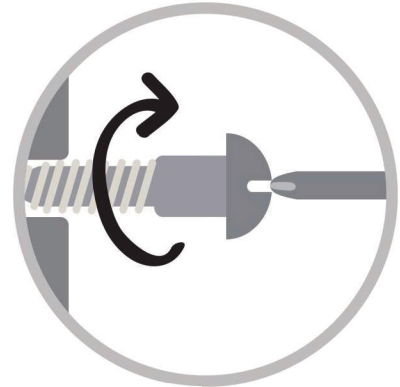
ASSEMBLY AND CARE ADVICE



FAILURE TO FOLLOW THE GUIDELINES BELOW MAY RESULT IN INJURY AND/OR PROPERTY DAMAGE.



Position each part correctly and insert screws or bolts into their respective holes.



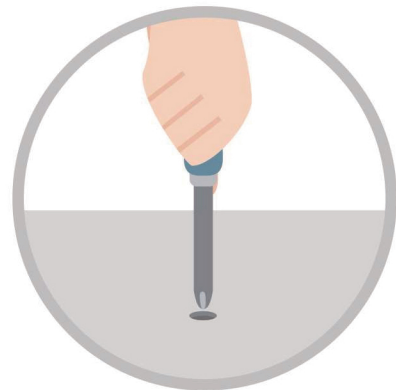
Turn clockwise to tighten and only tighten when step is completed or when instructed to do so.



Use the appropriate hand tools or power tools for assembly. Select steps, such as tightening screws and/or bolts, may require hand tools to avoid causing damage during assembly.



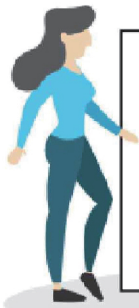
Save the instructions and store any supplied tools for later maintenance.



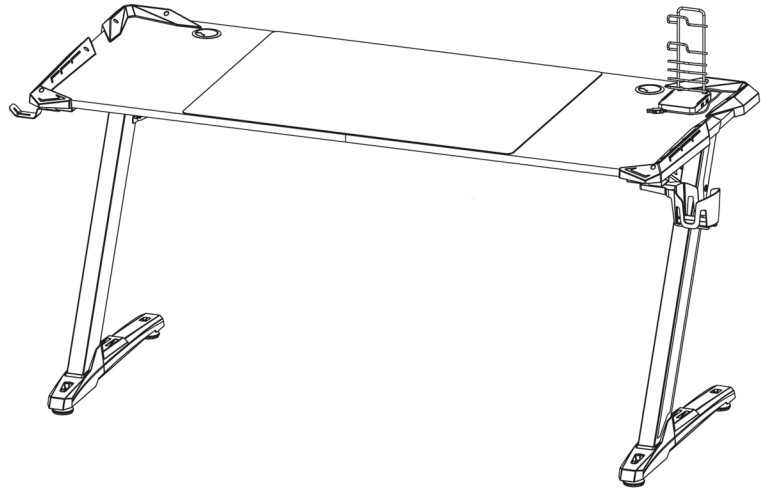
After two weeks, check and tighten any loose hardware and repeat again every six months thereafter.

IT IS THE USER'S RESPONSIBILITY TO MAINTAIN THE FURNITURE. THE HARDWARE MAY LOOSEN OVER TIME AND MAY CAUSE THE FURNITURE TO BE WOBBLY AND UNABLE TO SUPPORT ITS INTENDED WEIGHT CAPACITY. THIS MAY LEAD TO COLLAPSE AND MAY CAUSE SERIOUS INJURY.

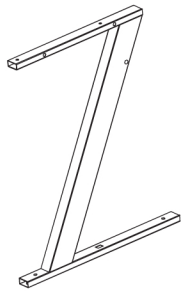
GAMING DESK



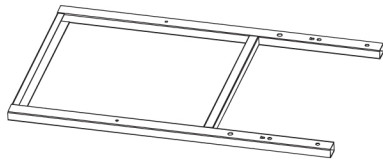
- Please keep instructions for future reference.
- Check the quantity and irregularity of parts and hardware before you start.



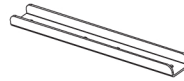
PARTS



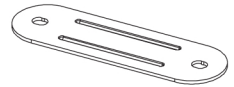
(1)X2



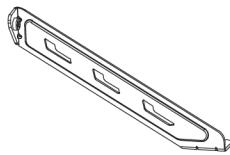
(2)X2



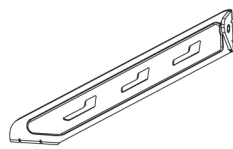
(3)X2



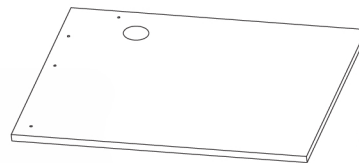
(4)X2



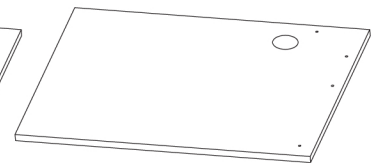
(5)X1



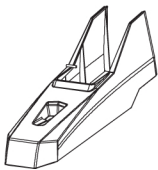
(6)X1



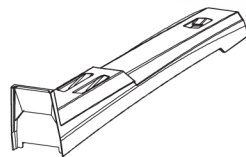
(7)X1



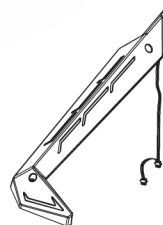
(8)X1



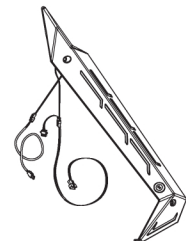
(9)X2



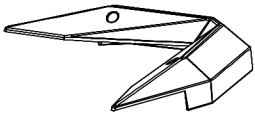
(10)X2



(11)X1



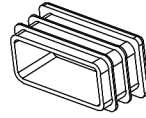
(12)X1



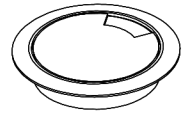
(13)X2



(14)X2



(15)X4



(16)X2



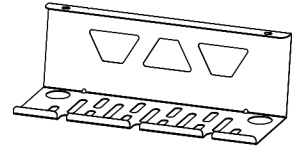
(17)X1



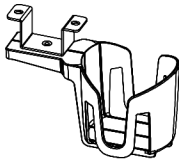
(18)X1



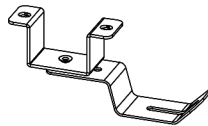
(19)X4



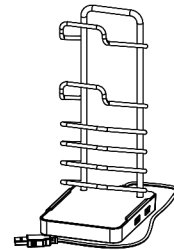
(20)X1



(21)X1

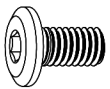


(22)X1



(23)X1

HARDWARE



1/4*12

(A)X22



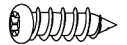
1/4*30

(B)X8



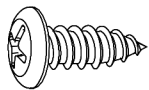
1/4*51

(C)X6



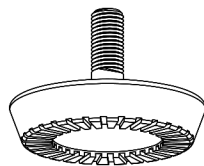
M4*12

(D)X8



M5*15

(E)X6

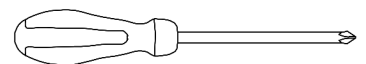


(F)X4



K4

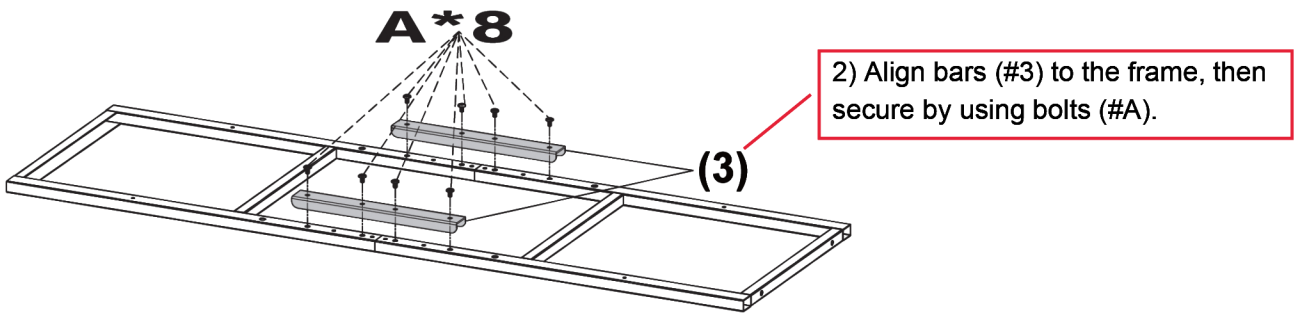
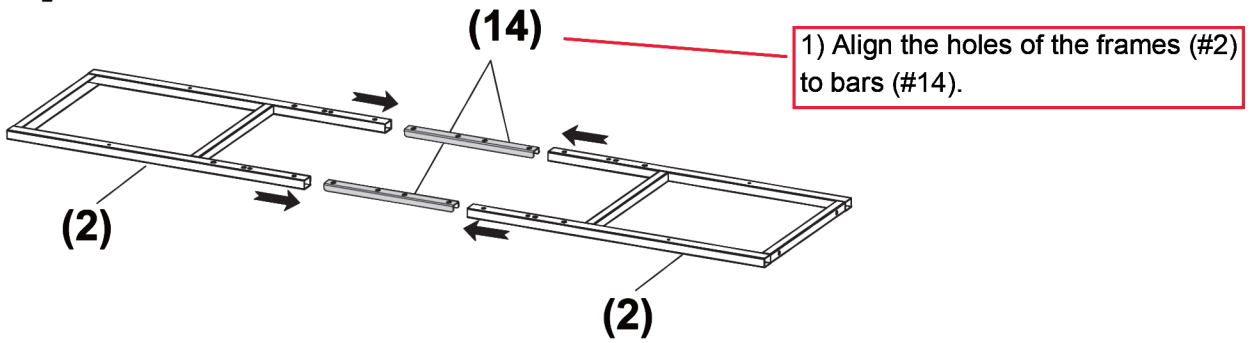
(G)X1



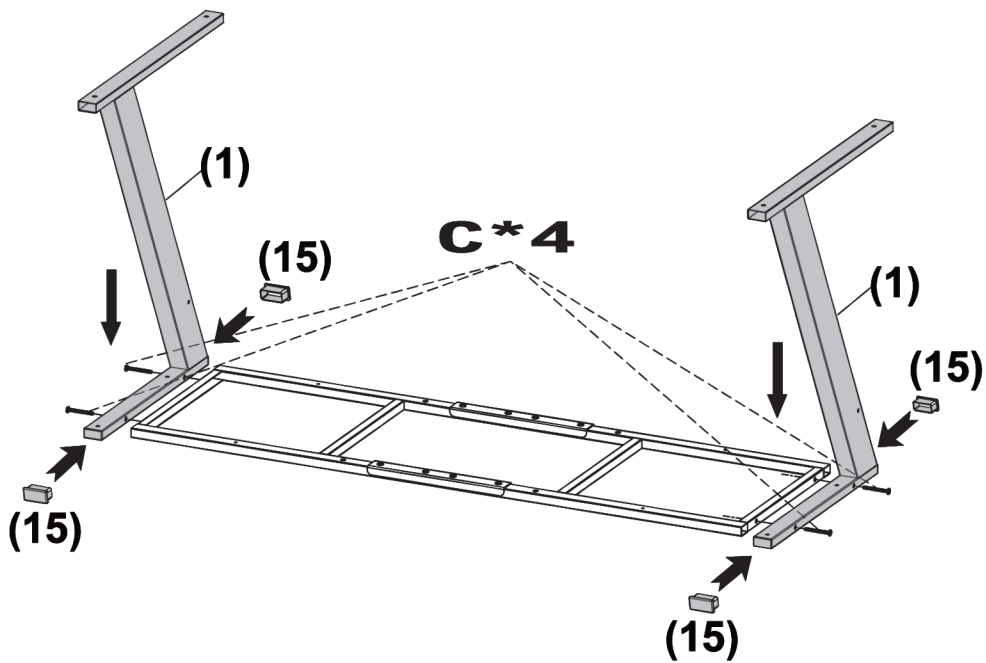
(H)X1

ASSEMBLY INSTRUCTIONS

1



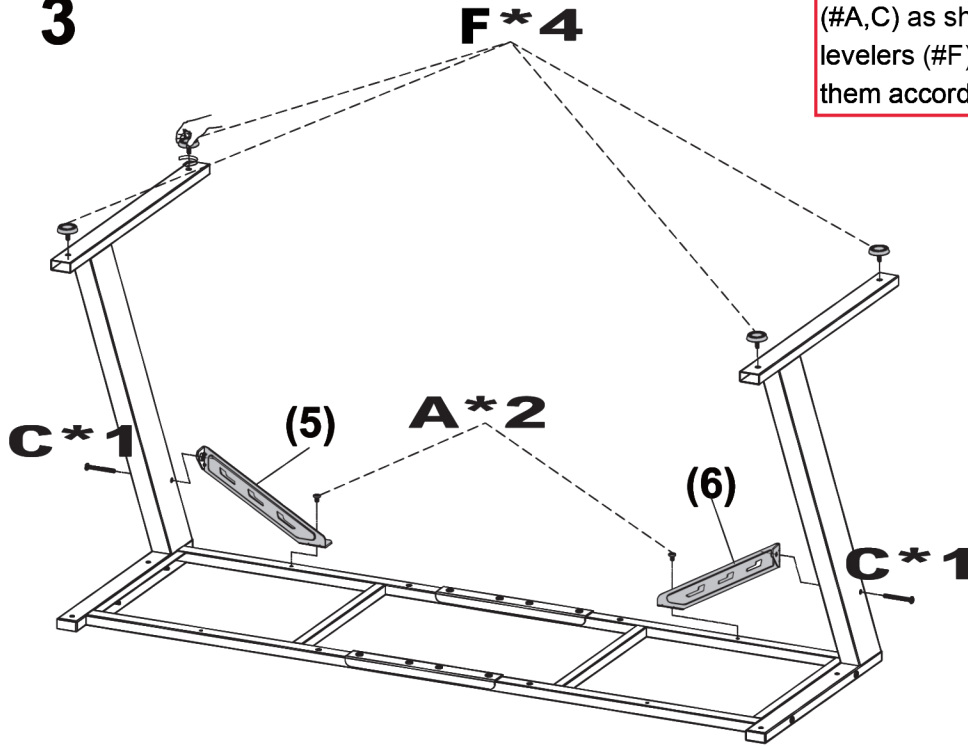
2



Align legs (#1) to the frame, then secure by using bolts (#C). Attach caps (#15) onto the legs (#1).

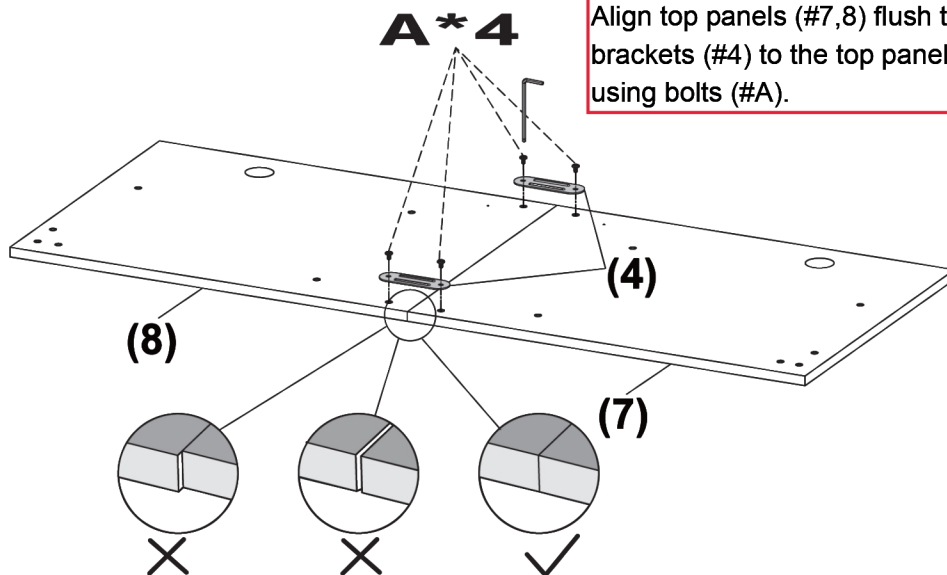
ASSEMBLY INSTRUCTIONS

3



Align support brackets (#5,6) to the frame and legs, then secure by using bolts (#A,C) as shown in the diagram. Secure levelers (#F) onto the legs and adjust them according to the ground level.

4



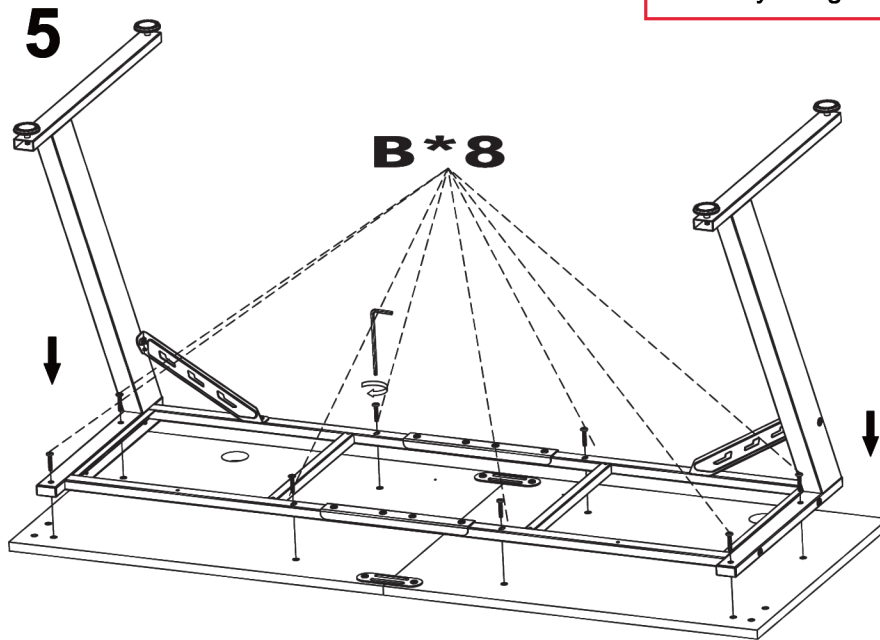
Align top panels (#7,8) flush together, then align brackets (#4) to the top panels (#7,8). Secure by using bolts (#A).



Before tightening the screw, you must ensure that the two desktop pieces are aligned and pressed firmly against each other.

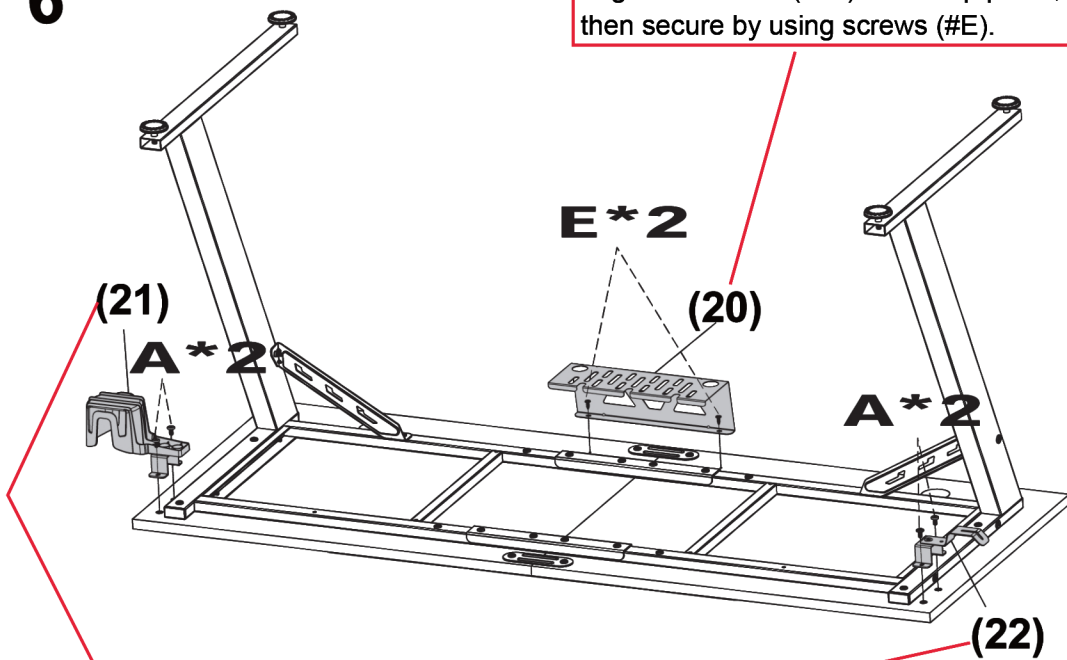
ASSEMBLY INSTRUCTIONS

Align frame with legs to the top panel, then secure by using bolts (#B).



6

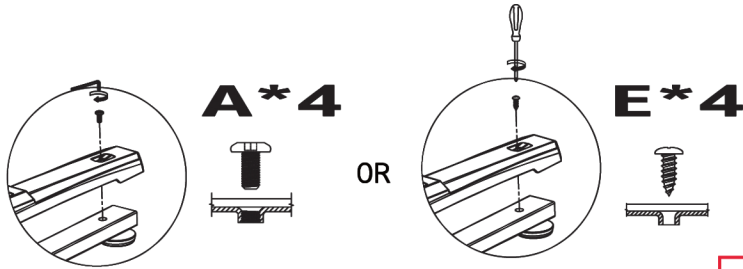
Align wire holder (#20) to the top panel, then secure by using screws (#E).



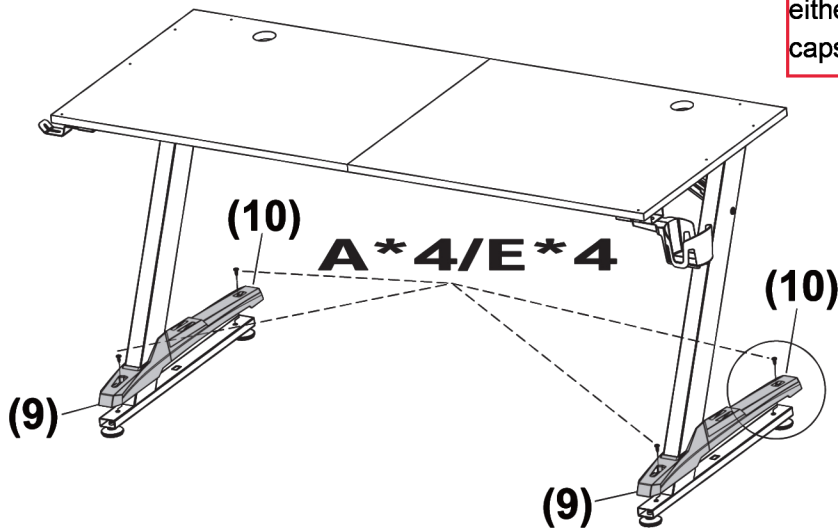
Align holders (#21,22) to the top panel, then secure by using bolts (#A).

ASSEMBLY INSTRUCTIONS

7

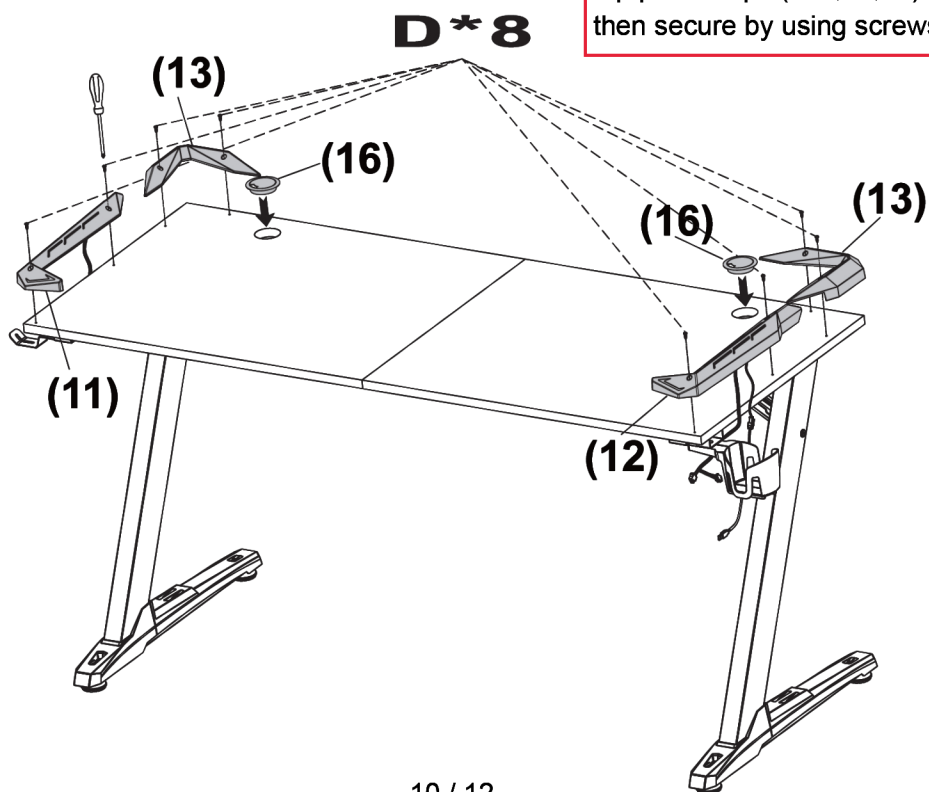


Align leg caps (#9,10) onto legs, then use either bolts (#A) or screws (#E) to secure leg caps (#9,10) onto legs.



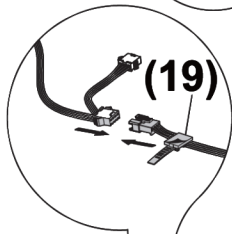
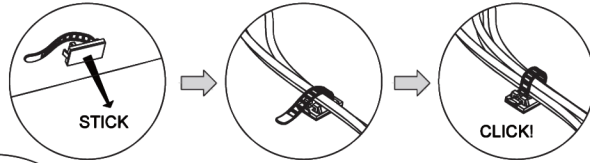
8

Insert wire caps (#16) to the top panel. Align top panel caps (#11,12,13) to the top panel, then secure by using screws (#D).

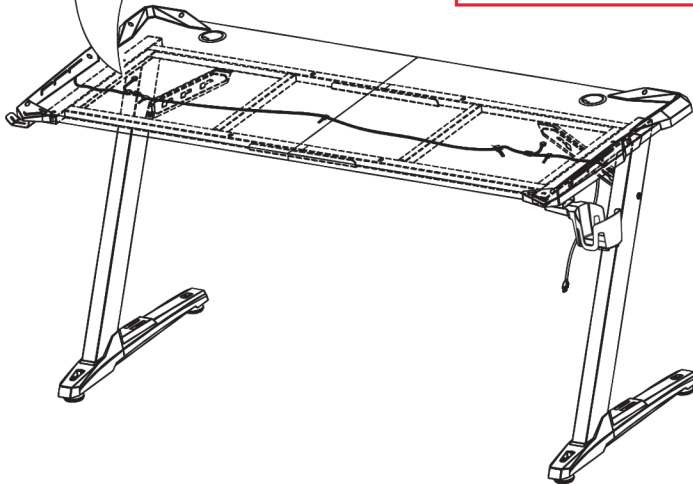


ASSEMBLY INSTRUCTIONS

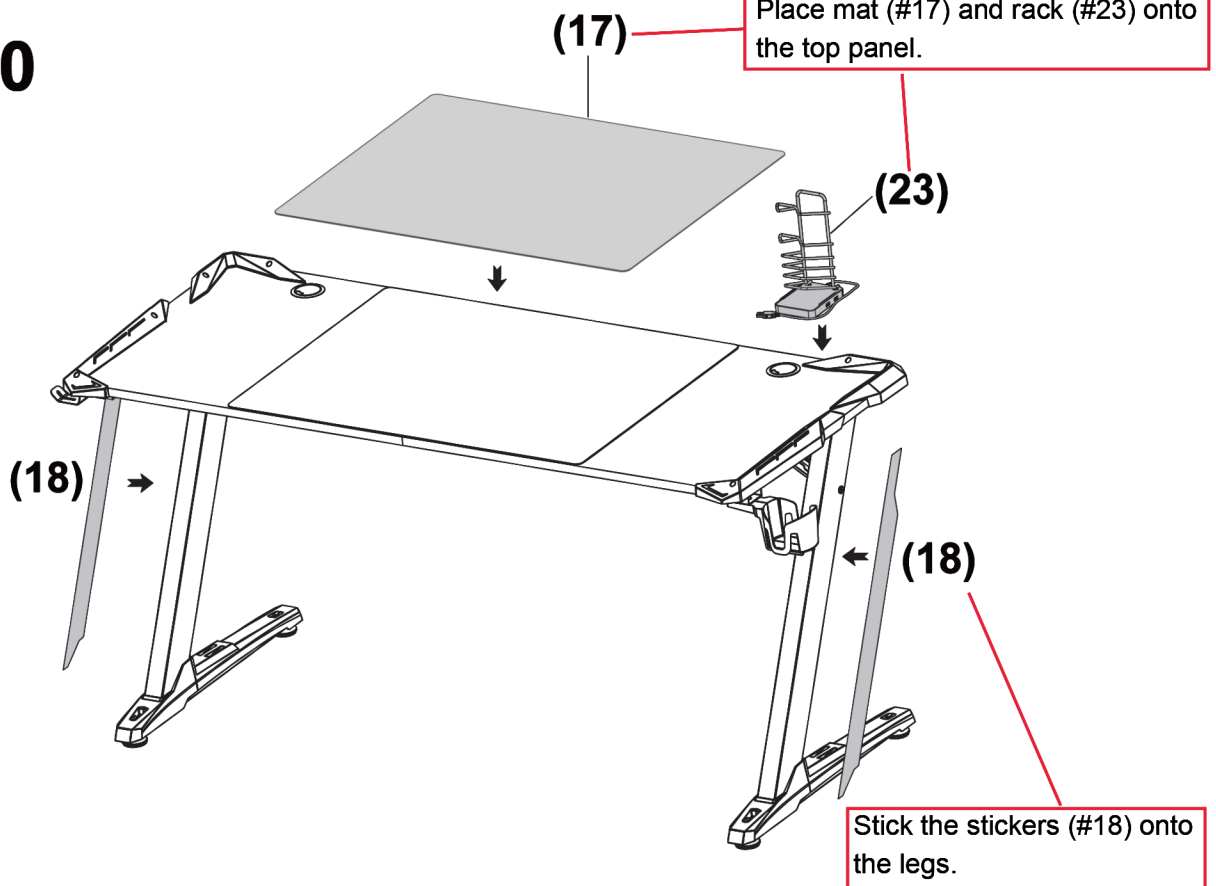
9



Connect the wires together and strap the wires by using wire straps (#19) from underneath the top panel. The wire straps could be stuck underneath the bottom of the top panel.



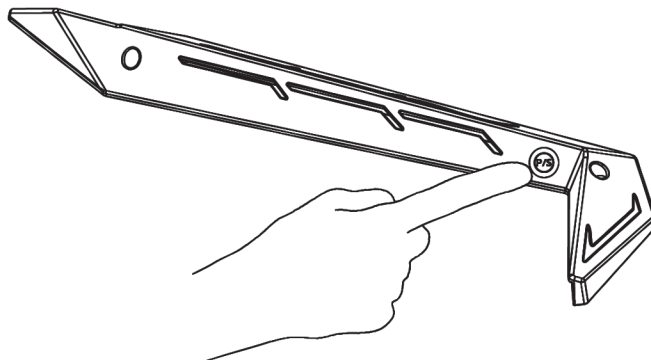
10



Place mat (#17) and rack (#23) onto the top panel.



Stick the stickers (#18) onto the legs.

ASSEMBLY INSTRUCTIONS



| MAIN TECHNICAL PARAMETERS | | | | | |
|---------------------------|------|--------|------|----------------|------|
| Parameters | Min | Normal | Max | Test Condition | Unit |
| Rated voltage(DC) | 4.45 | 5 | 5.20 | | V |
| Rated power | | 1.50 | | | W |
| Maximum power | | 1.65 | | | W |
| Maximum current | | 330 | | | mA |
| Environment temperature | -20 | | 60 | | °C |

FUNCTION

1. Changing Lighting Modes: Make sure the desk light is on, then press the right button "  " to change modes. There are total 8 lighting modes.
2. Switching On/Off Lights: Press the button "  " for 3 seconds then the light will be on/off.

TROUBLE SHOOTING

1. When the light flashes unexpectedly, please try to reboot it (turn it off and then on). If a reboot doesn't work, please check if the adapter works normally.
2. If the light isn't on, please check if the power is on or all the cables are connected correctly and tightly.

ASSEMBLY COMPLETED



Please ensure the furniture rests on an even and flat surface. If the product wobbles or feels loose, double-check all bolts and or screws are properly tightened and secured.



Keep this handy!

Please retain this instruction manual and any order-related information for future reference.



Lift, don't drag!

To avoid damage to product when transporting, please lift instead of dragging the product.