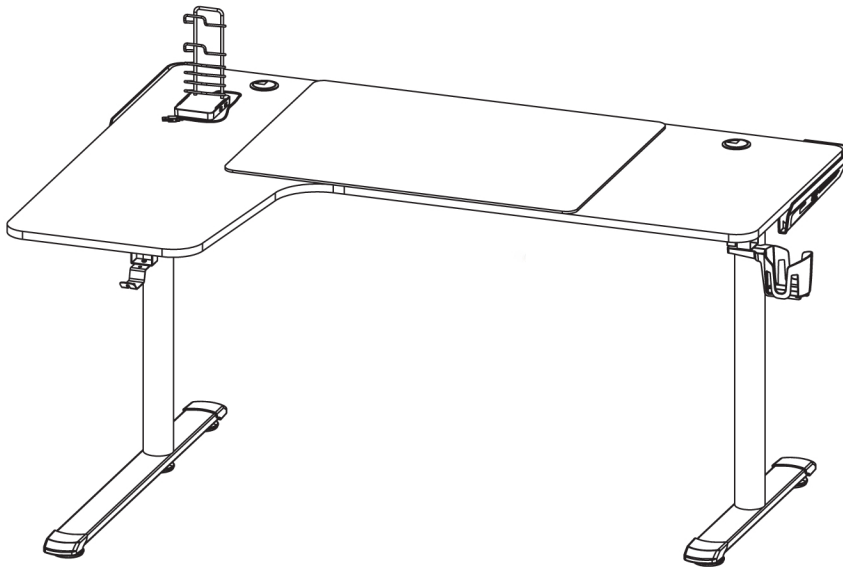



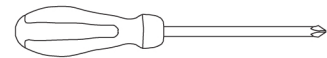
ASSEMBLY INSTRUCTIONS

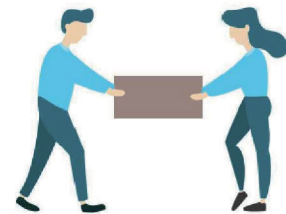


TOOLS REQUIRED


Allen Wrench K4
(Included)

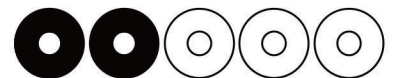

Allen Wrench K5
(Included)


Screwdriver
(Included)



**2 - People
Recommended**

ASSEMBLY RATING



EASY —————> DIFFICULT

The Assembly Rating is a 5-point system showing the level of effort needed to assemble a specific product.



CHECK BEFORE STARTING

Are you missing anything?

Double-check all parts, hardware and accessories listed on Page 6 are accounted for.

Should we send any replacements?

Are there any irregularities or flaws in the parts? We can send replacements!

Check out our Quick Tips!

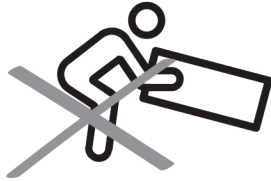
We recommend reviewing the pre-assembly handouts. Even experts need a refresher now and then!

Prep Time!

Please review the assembly instructions and all diagrams prior to assembling. Position parts in order and group identical hardware together for an easier assembly experience.

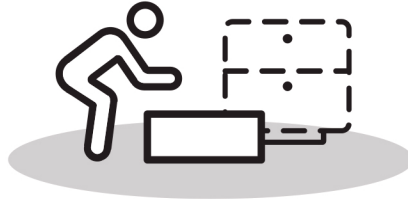
PRE ASSEMBLY INTRODUCTION

We understand building ready-to-assemble furniture can be a challenging experience for some. To help avoid confusion, we have provided some helpful tips that may speed up the process.



Teamwork

ALWAYS have at least two people to help with transporting and assembling the product to avoid potential injury and/or damage.



Suitable Location

Assembling near the area of the intended location is highly recommended.



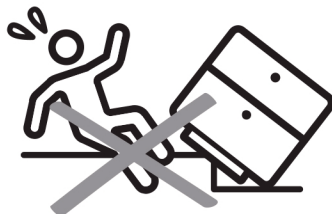
Sufficient Space

Make sure you have enough space to move around during the assembly.



Avoid Scratches

Use cardboard, blankets or a carpeted area while assembling furniture to prevent scratches.



Flat Surface

Make sure the furniture rests on a flat and level surface with each leg evenly touching the floor.

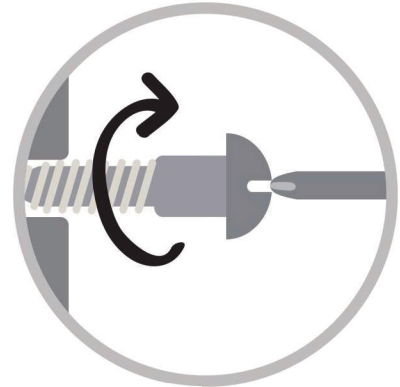
ASSEMBLY AND CARE ADVICE



FAILURE TO FOLLOW THE GUIDELINES BELOW MAY RESULT IN INJURY AND/OR PROPERTY DAMAGE.



Position each part correctly and insert screws or bolts into their respective holes.



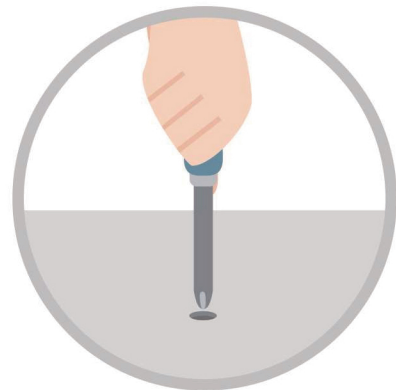
Turn clockwise to tighten and only tighten when step is completed or when instructed to do so.



Use the appropriate hand tools or power tools for assembly. Select steps, such as tightening screws and/or bolts, may require hand tools to avoid causing damage during assembly.



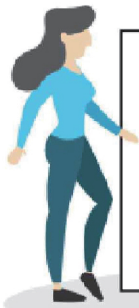
Save the instructions and store any supplied tools for later maintenance.



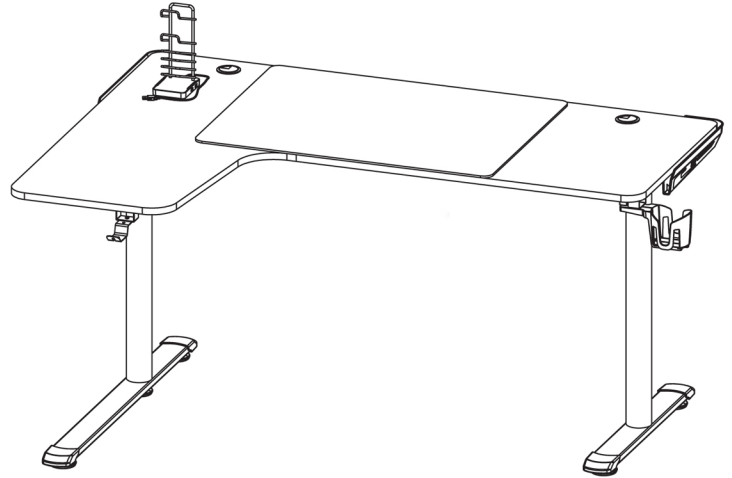
After two weeks, check and tighten any loose hardware and repeat again every six months thereafter.

IT IS THE USER'S RESPONSIBILITY TO MAINTAIN THE FURNITURE. THE HARDWARE MAY LOOSEN OVER TIME AND MAY CAUSE THE FURNITURE TO BE WOBBLY AND UNABLE TO SUPPORT ITS INTENDED WEIGHT CAPACITY. THIS MAY LEAD TO COLLAPSE AND MAY CAUSE SERIOUS INJURY.

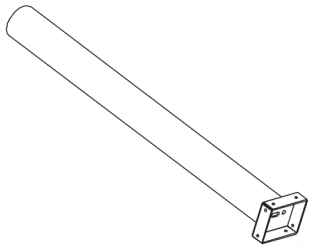
GAMING DESK



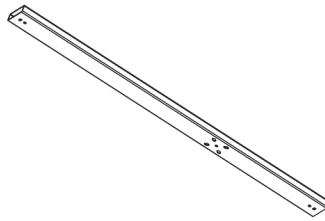
- Please keep instructions for future reference.
- Check the quantity and irregularity of parts and hardware before you start.



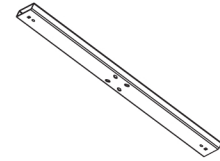
PARTS



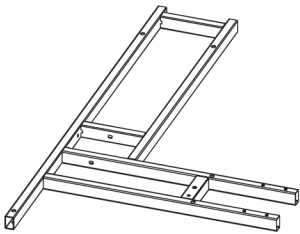
(1)X2



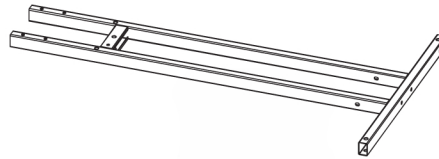
(2)X1



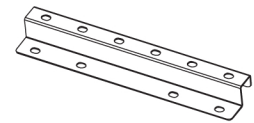
(3)X1



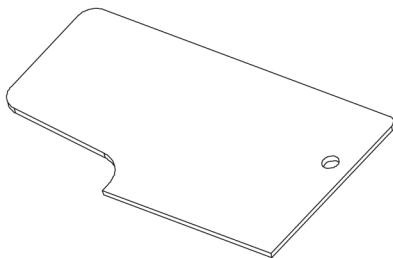
(4)X1



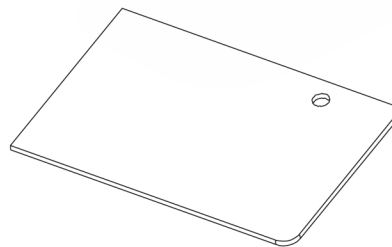
(5)X1



(6)X2



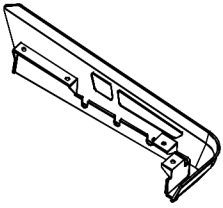
(7)X1



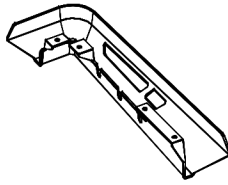
(8)X1



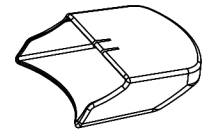
(9)X2



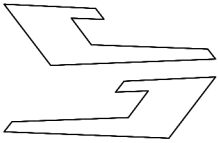
(10)X1



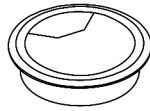
(11)X1



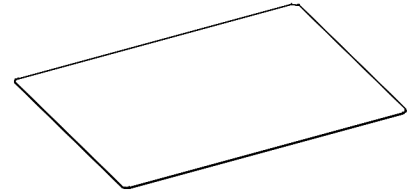
(12)X4



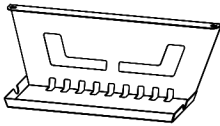
(13)X1



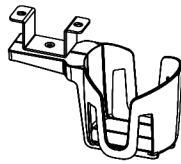
(14)X2



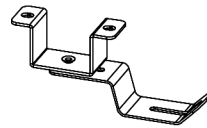
(15)X1



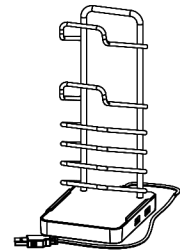
(16)X1



(17)X1

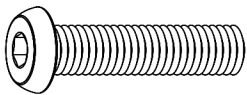


(18)X1



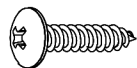
(19)X1

HARDWARE



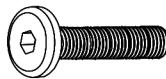
M8*35

(A)X8



M5*15

(B)X10



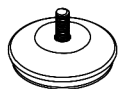
1/4*41

(C)X17



1/4*12

(D)X24



(E)X5



(F)X5



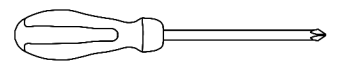
K4

(G)X1



K5

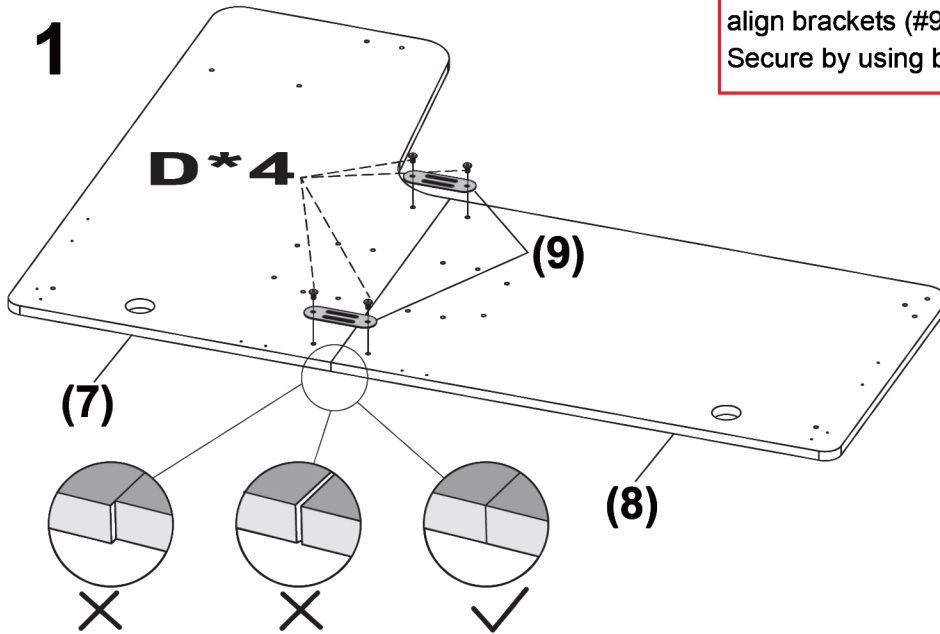
(H)X1



(I)X1

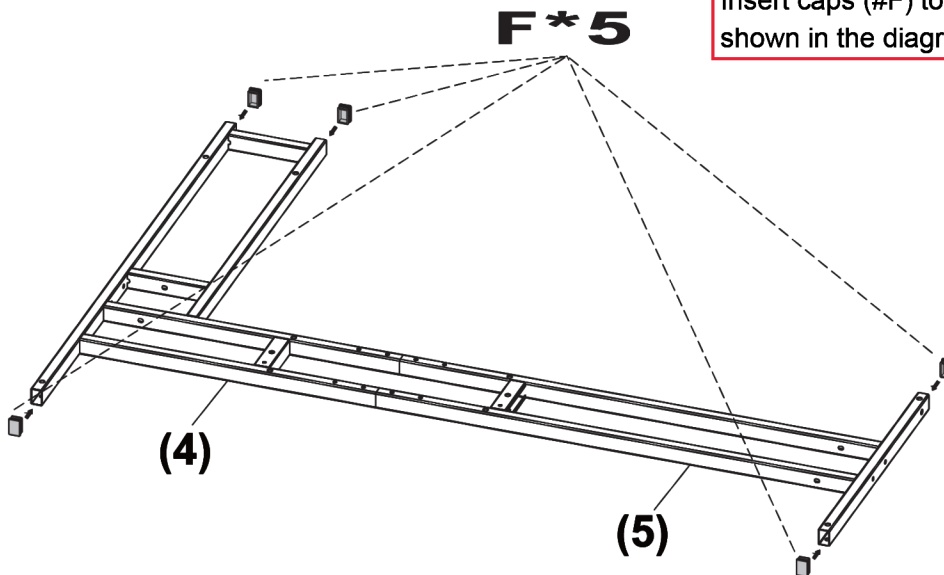
ASSEMBLY INSTRUCTIONS

Align panels (#7,8) to each firmly, then align brackets (#9) to panels (#7,8). Secure by using bolts (#D).



! Before tightening the screw, you must ensure that the two desktop pieces are aligned and pressed firmly against each other.

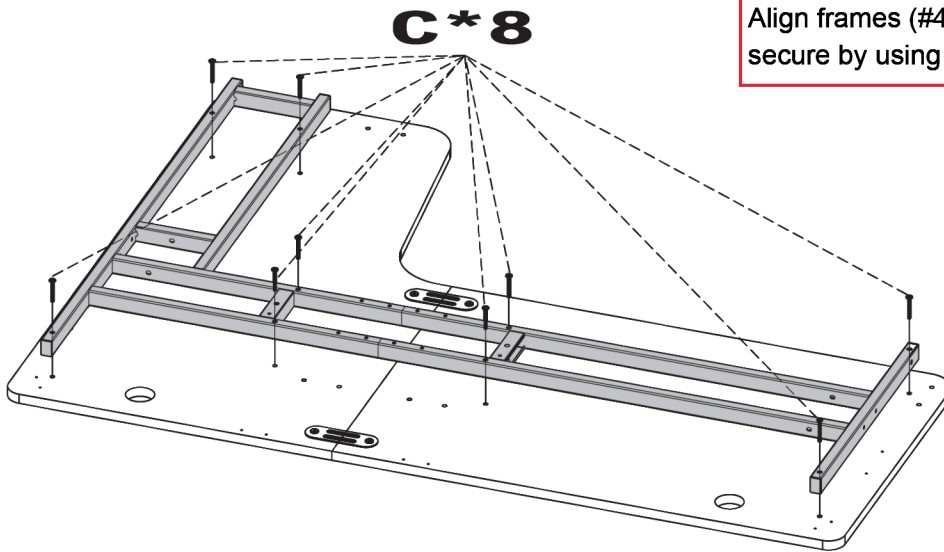
2



Insert caps (#F) to the frames (#4,5) as shown in the diagram.

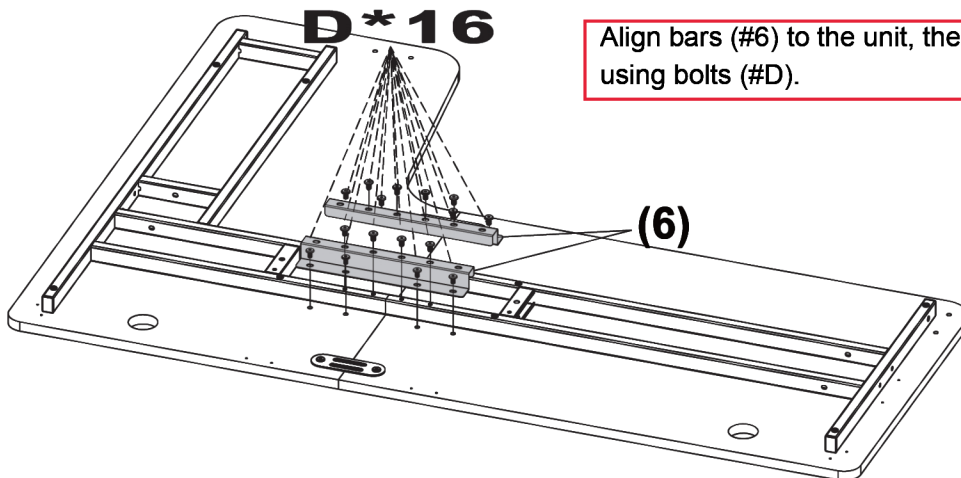
ASSEMBLY INSTRUCTIONS

3



Align frames (#4,5) to panels (#7,8), then secure by using bolts (#C).

4

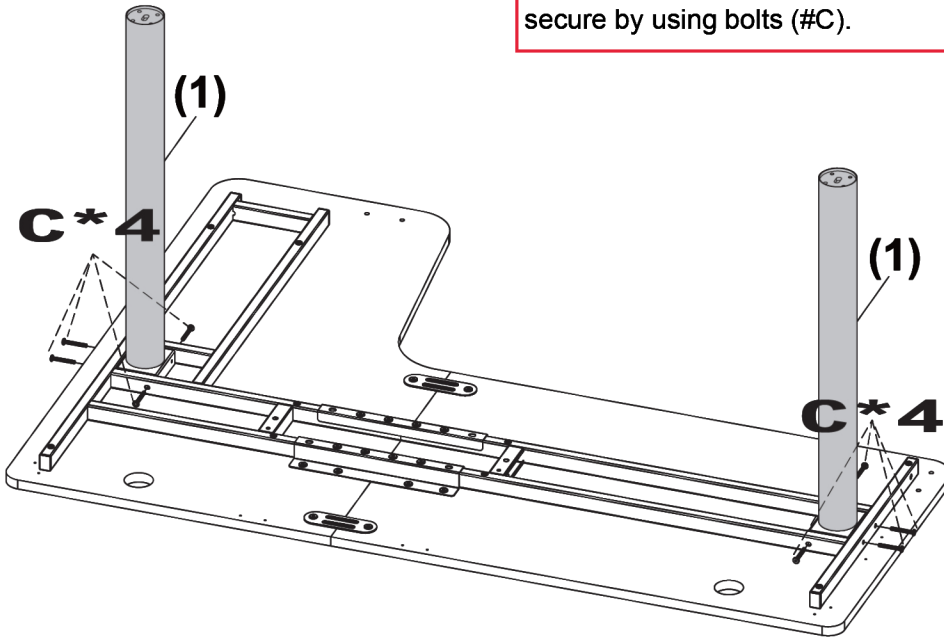


Align bars (#6) to the unit, then secure by using bolts (#D).

ASSEMBLY INSTRUCTIONS

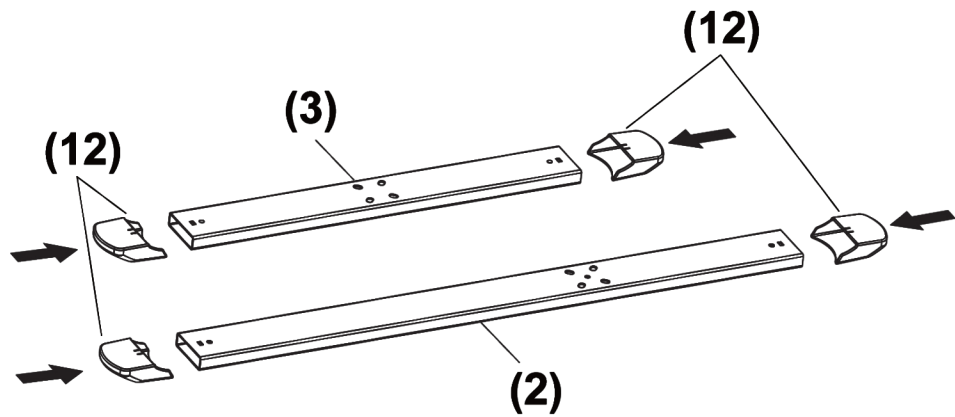
5

Align leg supports (#1) to the unit, then secure by using bolts (#C).



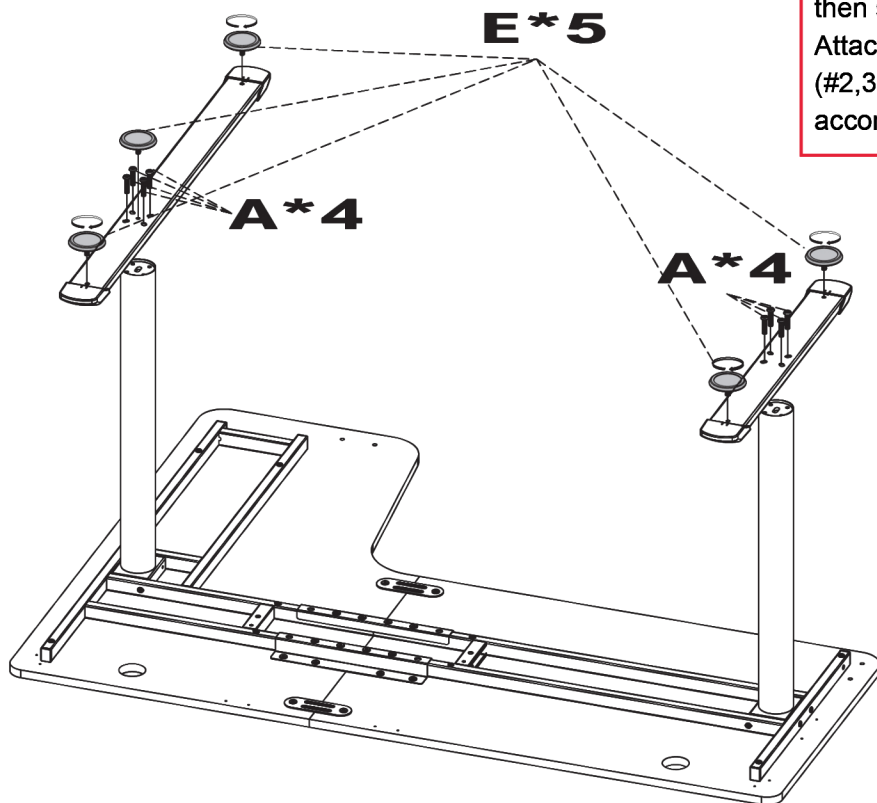
6

Insert caps (#12) to the legs (#2,3).



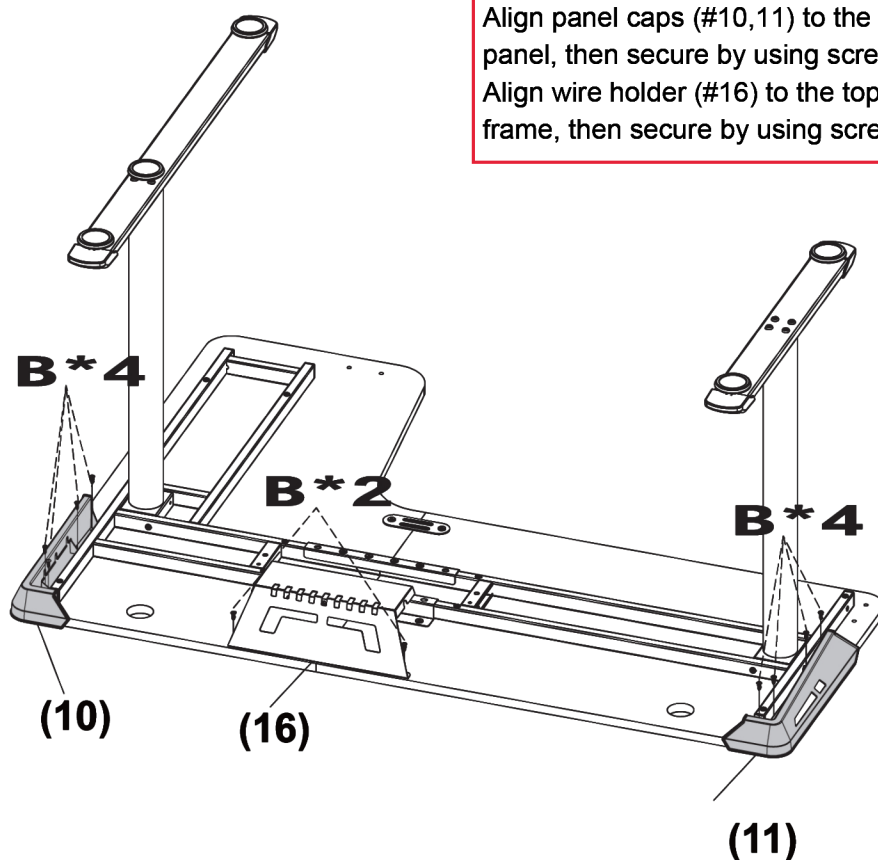
ASSEMBLY INSTRUCTIONS

7



Align legs (#2,3) to the leg supports, then secure by using bolts (#A). Attach levelers (#E) to the legs (#2,3) and adjust levelers (#E) according to the ground level.

8

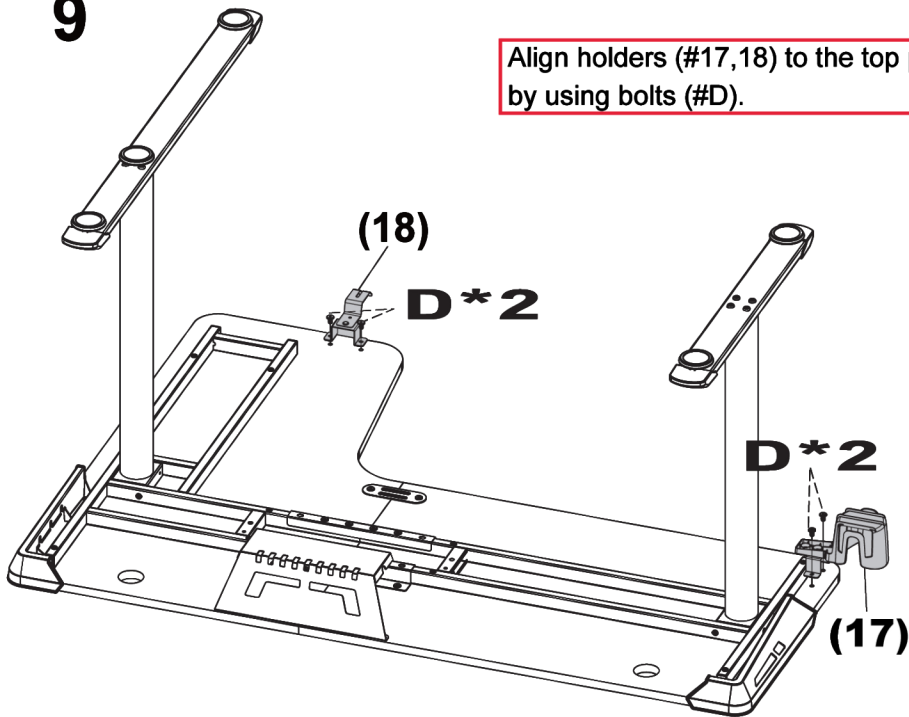


Align panel caps (#10,11) to the top panel, then secure by using screws (#B). Align wire holder (#16) to the top panel/ frame, then secure by using screws (#B).

ASSEMBLY INSTRUCTIONS

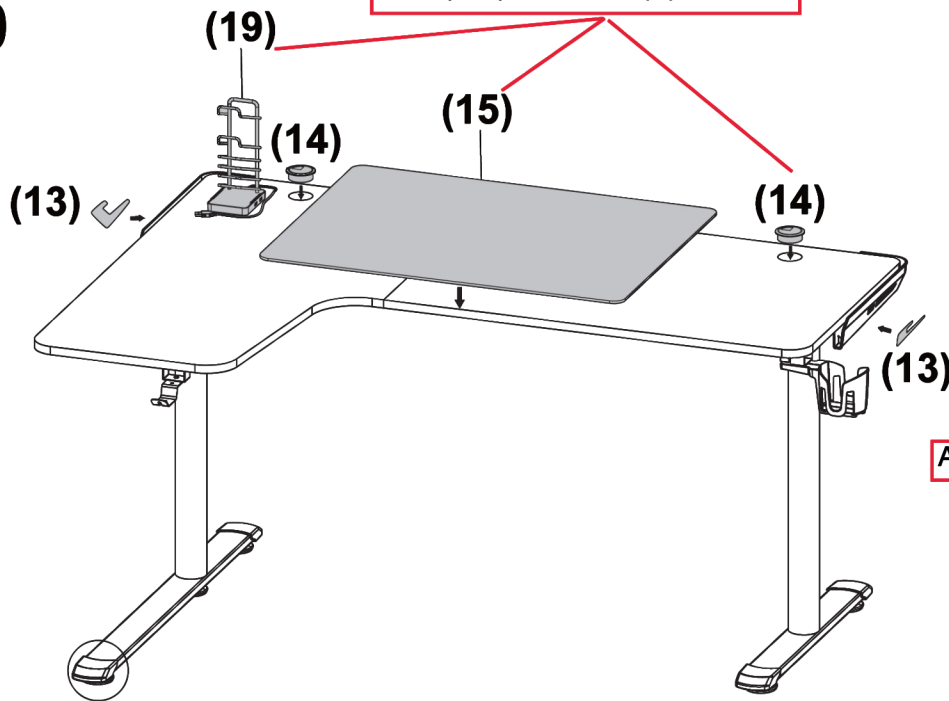
9

Align holders (#17,18) to the top panel, then secure by using bolts (#D).



10

Place mat (#15), caps (#14), and rack (#19) onto the top panel.



Attach stickers (#13).

ASSEMBLY COMPLETED



Please ensure the furniture rests on an even and flat surface. If the product wobbles or feels loose, double-check all bolts and or screws are properly tightened and secured.



Keep this handy!

Please retain this instruction manual and any order-related information for future reference.



Lift, don't drag!

To avoid damage to product when transporting, please lift instead of dragging the product.