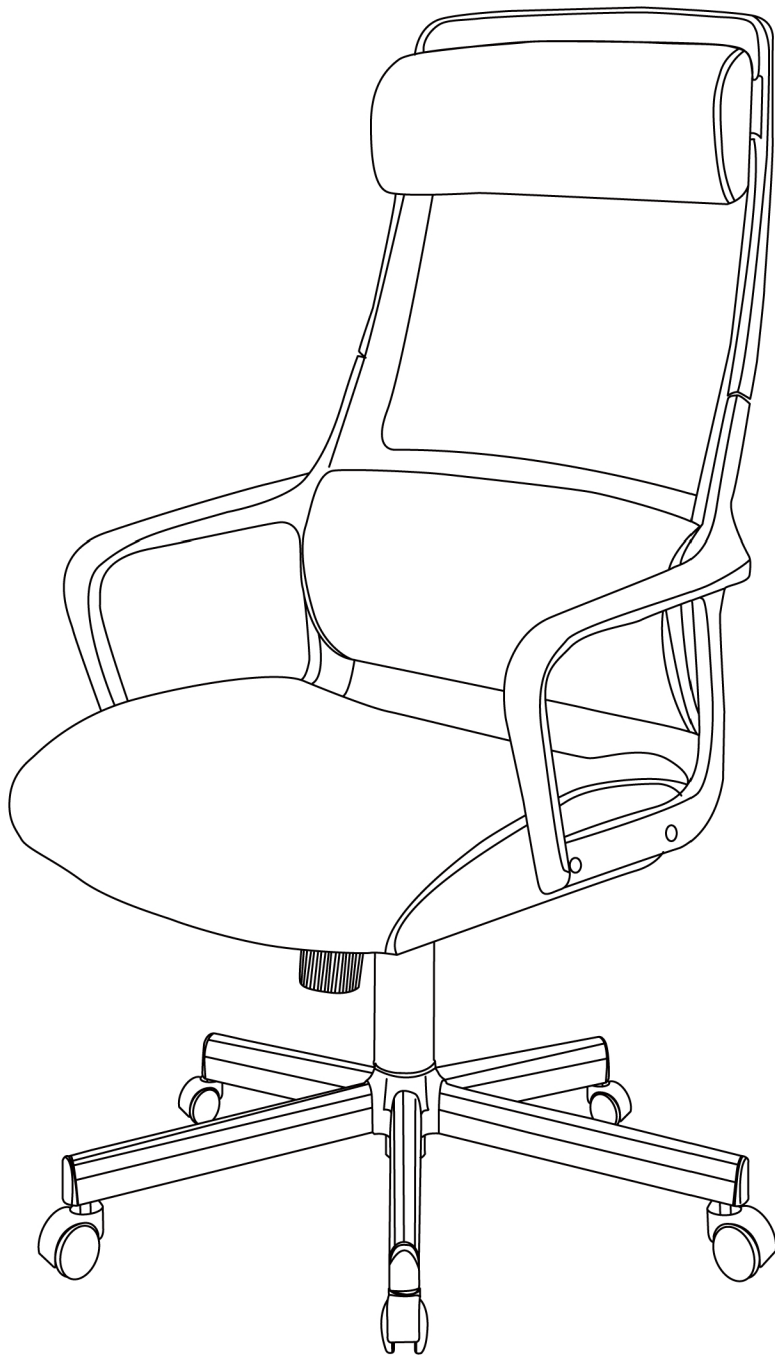


ASSEMBLY INSTRUCTIONS



TOOLS REQUIRED



Allen Wrench
(Included)



2 - People
Recommended

ASSEMBLY RATING



EASY —————> DIFFICULT

The Assembly Rating is a 5-point system showing the level of effort needed to assemble a specific product.



CHECK BEFORE STARTING

Are you missing anything?

Double-check all parts, hardware and accessories listed on Page 6 are accounted for.

Should we send any replacements?

Are there any irregularities or flaws in the parts? We can send replacements!

Check out our Quick Tips!

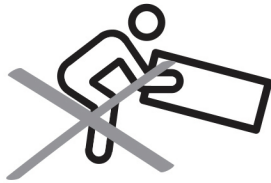
We recommend reviewing the pre-assembly handouts. Even experts need a refresher now and then!

Prep Time!

Please review the assembly instructions and all diagrams prior to assembling. Position parts in order and group identical hardware together for an easier assembly experience.

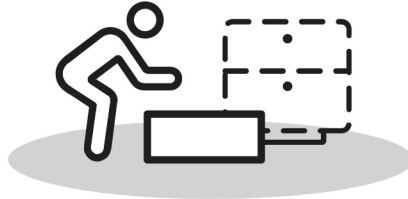
PRE ASSEMBLY INTRODUCTION

We understand building ready-to-assemble furniture can be a challenging experience for some. To help avoid confusion, we have provided some helpful tips that may speed up the process.



Teamwork

ALWAYS have at least two people to help with transporting and assembling the product to avoid potential injury and/or damage.



Suitable Location

Assembling near the area of the intended location is highly recommended.



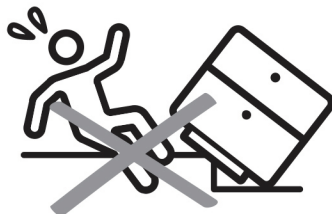
Sufficient Space

Make sure you have enough space to move around during the assembly.



Avoid Scratches

Use cardboard, blankets or a carpeted area while assembling furniture to prevent scratches.



Flat Surface

Make sure the furniture rests on a flat and level surface with each leg evenly touching the floor.

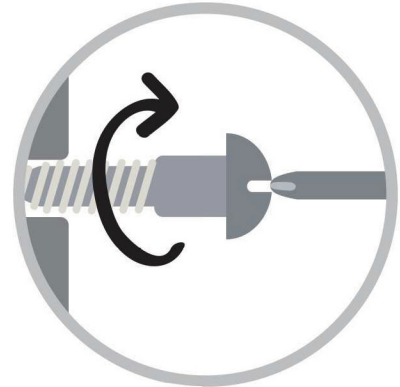
ASSEMBLY AND CARE ADVICE



FAILURE TO FOLLOW THE GUIDELINES BELOW MAY RESULT IN INJURY AND/OR PROPERTY DAMAGE.



Position each part correctly and insert screws or bolts into their respective holes.



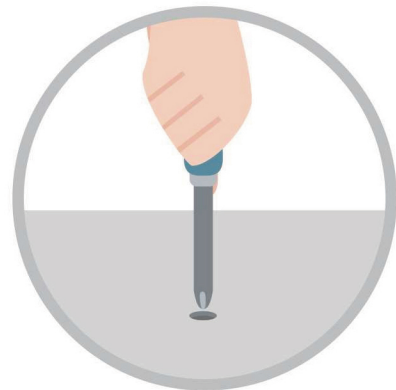
Turn clockwise to tighten and only tighten when step is completed or when instructed to do so.



Use the appropriate hand tools or power tools for assembly. Select steps, such as tightening screws and/or bolts, may require hand tools to avoid causing damage during assembly.



Save the instructions and store any supplied tools for later maintenance.



After two weeks, check and tighten any loose hardware and repeat again every six months thereafter.

IT IS THE USER'S RESPONSIBILITY TO MAINTAIN THE FURNITURE. THE HARDWARE MAY LOOSEN OVER TIME AND MAY CAUSE THE FURNITURE TO BE WOBBLY AND UNABLE TO SUPPORT ITS INTENDED WEIGHT CAPACITY. THIS MAY LEAD TO COLLAPSE AND MAY CAUSE SERIOUS INJURY.



• Please keep instructions for future reference.
• Check the quantity and irregularity of parts and hardware before you start.



PARTS



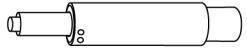
A(x5)



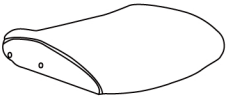
B(x5)



C(x1)



D(x1)



E(x1)



F(x1)



J(x2)



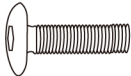
K(x1)

HARDWARE



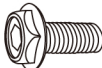
M6x15mm

G(x5)



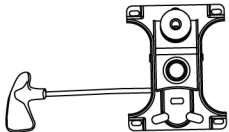
M6x25mm

G2(x1)



M8x20mm

G3(x4)

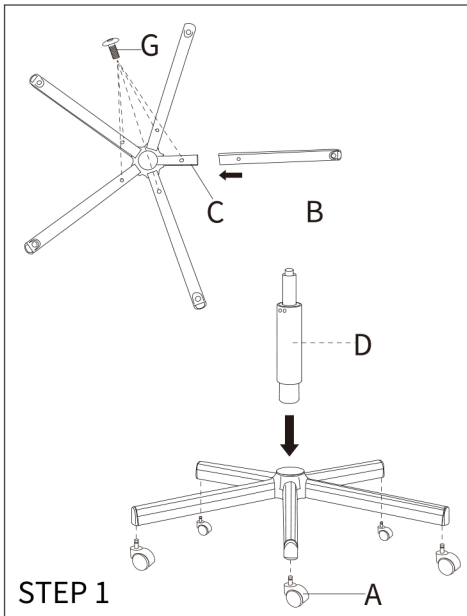


H(x1)



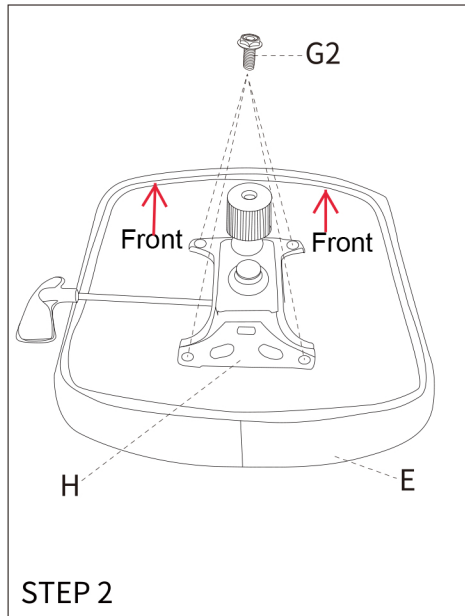
L(x1)

ASSEMBLY INSTRUCTIONS



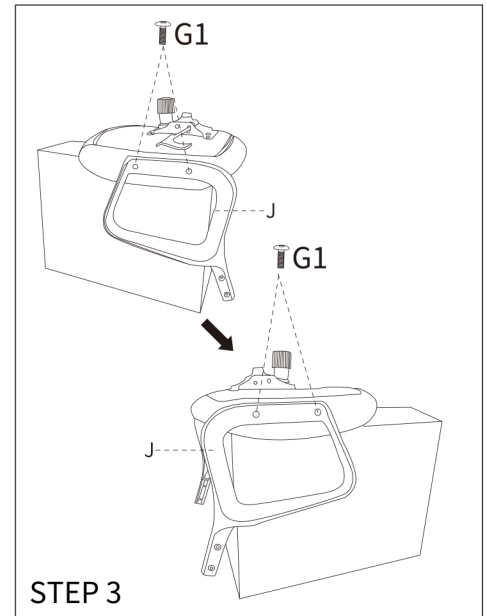
STEP 1

1. Secure the base (B) and (C) with bolts (G), then screw the caster (A) and place the gas lift (D) inside the base



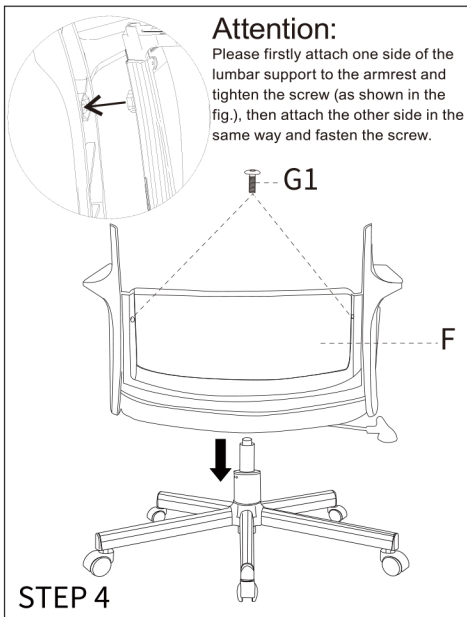
STEP 2

2. Secure the mechanism (H) to the bottom of cushion (E) with bolts (G2)



STEP 3

3. Secure the armrest (J) and cushion (E) with bolts (G1)

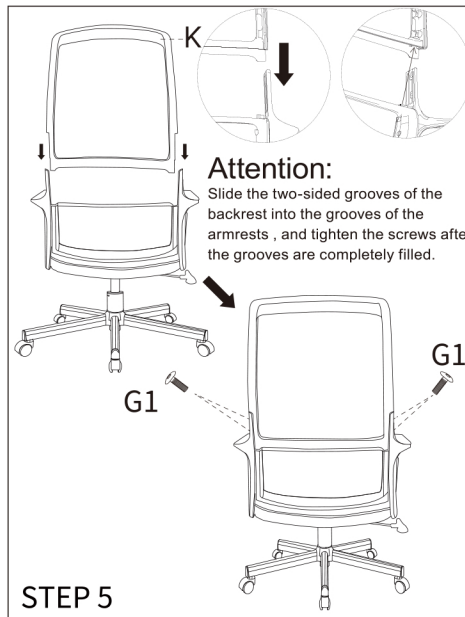


STEP 4

4. Align the back rest (F) and armrest (J), then secure it with (G1)

Attention:

Please firstly attach one side of the lumbar support to the armrest and tighten the screw (as shown in the fig.), then attach the other side in the same way and fasten the screw.



STEP 5

5. Align the head rest (K) and armrest (J), secure it with bolts (G1)

Attention:

Slide the two-sided grooves of the backrest into the grooves of the armrests, and tighten the screws after the grooves are completely filled.



STEP 6

6. Please ensure all screws/bolts are properly tightened.

ASSEMBLY COMPLETED



Please ensure the furniture rests on an even and flat surface. If the product wobbles or feels loose, double-check all bolts and /or screws are properly tightened and secured.



Keep this handy!

Please retain this instruction manual and any order-related information for future reference.



Lift, don't drag!

To avoid damage to product when transporting, please lift instead of dragging the product.