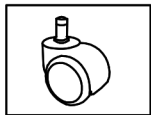


OFFICE CHAIR ASSEMBLY INSTRUCTION

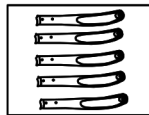


THANK YOU FOR PURCHASING OFFICE CHAIR

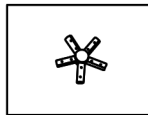
PARTS LIST



A 5×Wheels



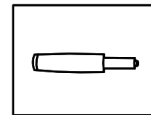
B1 5×Split base
tube



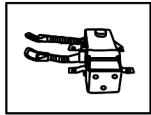
B2 1×Central
base tube



B3 1×base cover



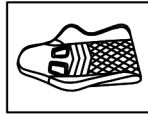
C1 1×gas lift



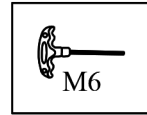
D1×mechanism



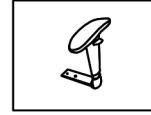
E 1×seat



F 1×back



H 1×allen key



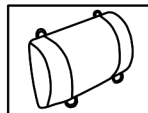
I 1 Left armrests



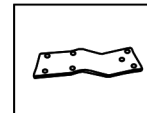
I2 Right armrests



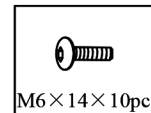
J1 1×headres



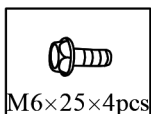
J2 1×Adjustable
Lumber Suppor



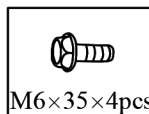
N1 1×Steel plate



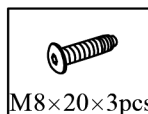
M6×14×10pcs
Z2 10×screws



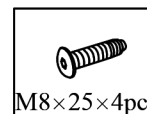
M6×25×4pcs
Z1 34×screws



M6×35×4pcs
Z2 64×screws



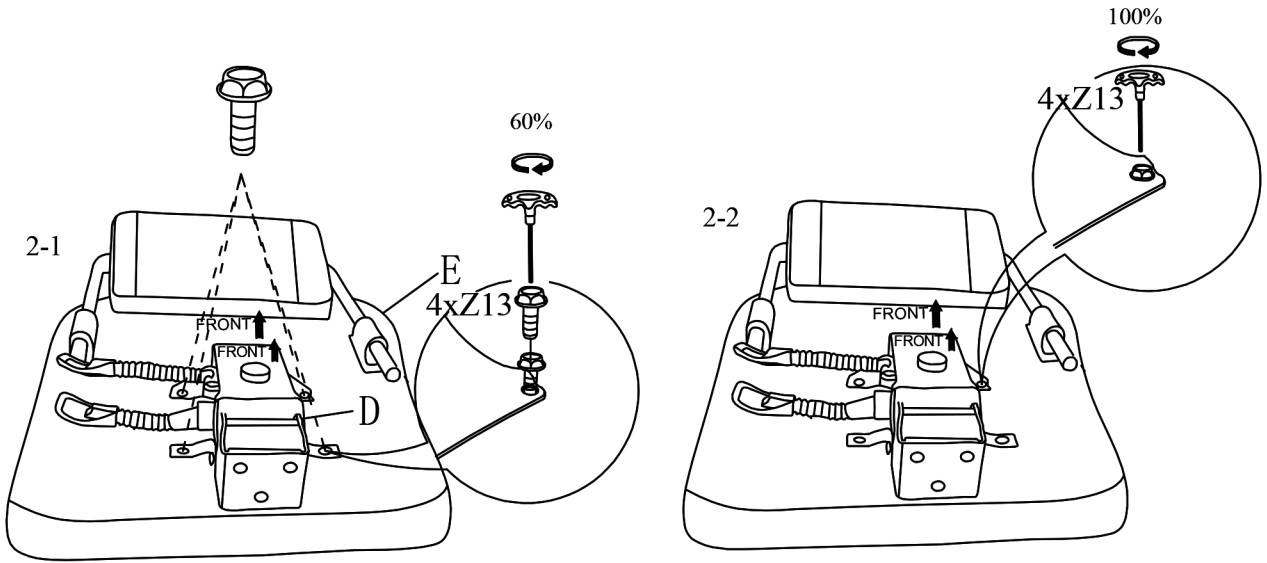
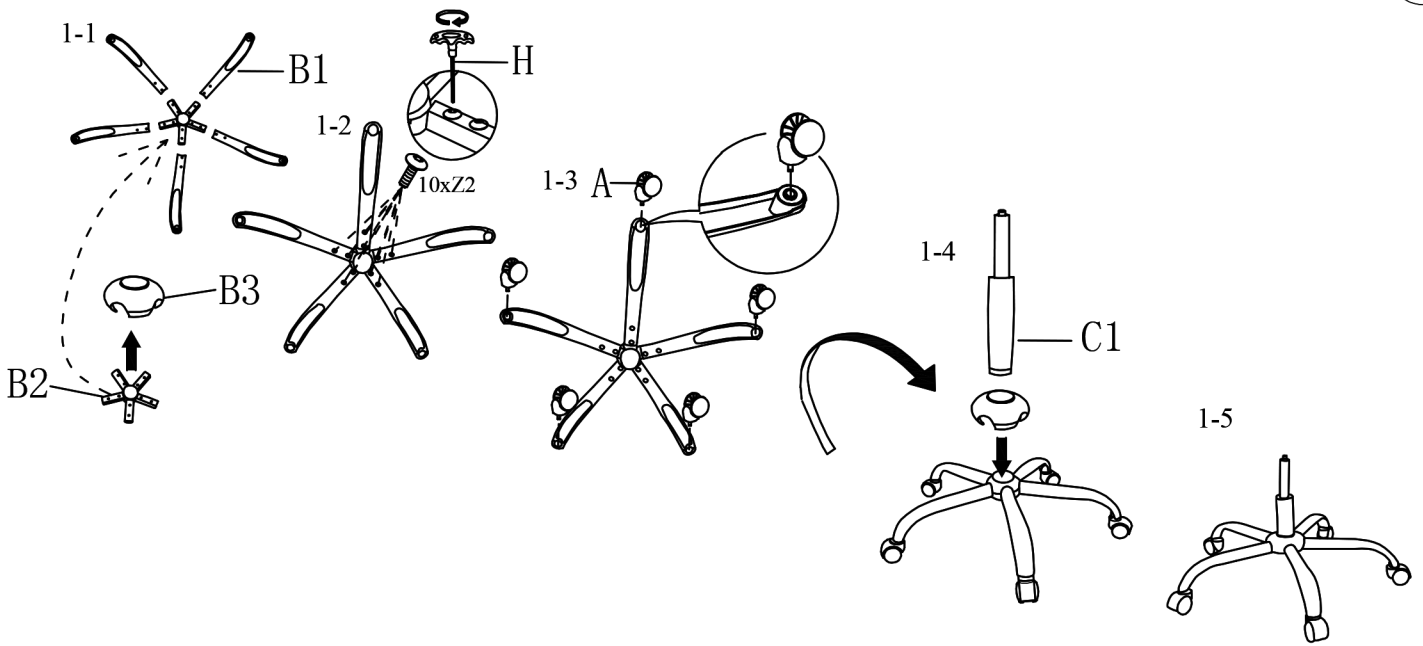
M8×20×3pcs
Y2 63×screws



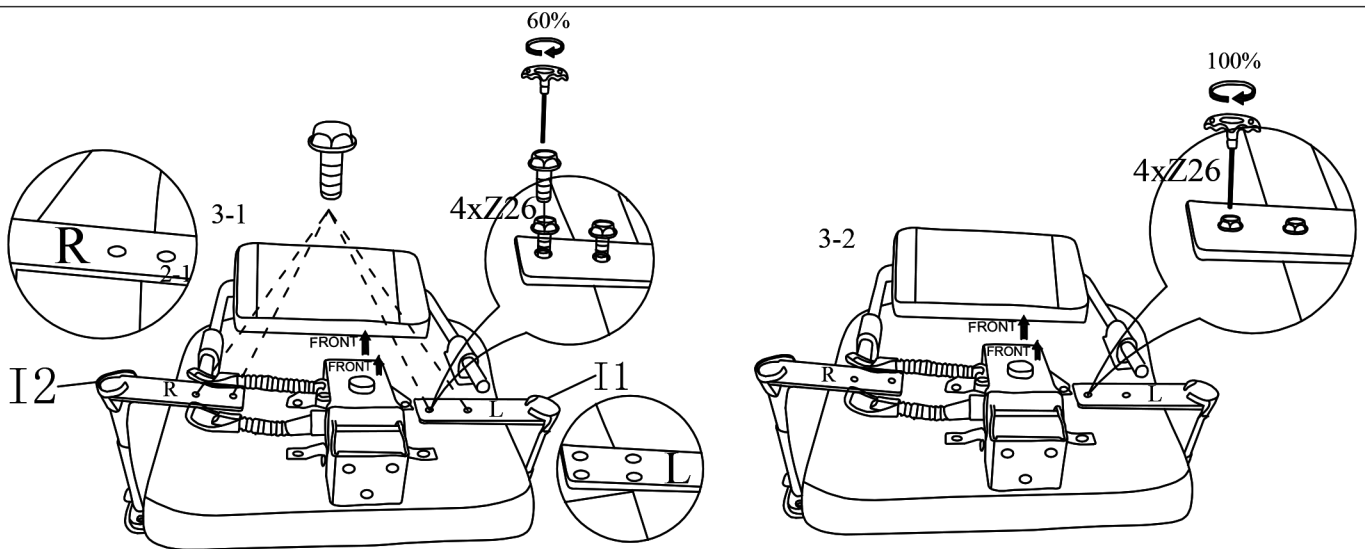
M8×25×4pcs
Y8 4×screws

WARNING

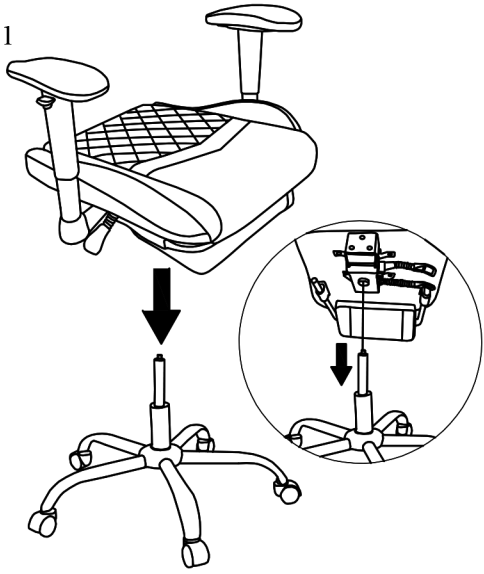
- Do not stand in this chair or use the chair as a step ladder use it as chair only.
- This chair is designed for one person to use at a time.
- This chair is designed for one person weighing up to 250lbs(113kgs).
- Do not use this chair unless all bolts, screws and knobs are firmly secured.
- Check all bolts,screws and knobs every 90days. Tighten if any are loose.
- Failure to follow these instructions may result in serious injury or death of yourself and people around you.
- Some of the part are heavy and/or has shape edge, please install it carefully to avoid hurt you and people around you.



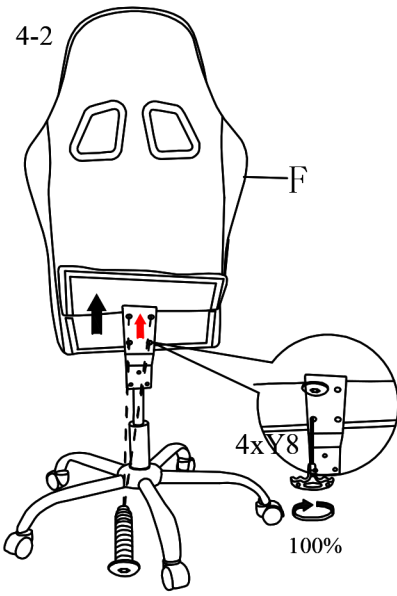
Please do not tight the screw until all screw lined up with hole and try to tight it loosely initially in all screws then tight a little bit more in all screws do not overnight one screws that will make other screw hard to tight but tight all screw firmly in the end



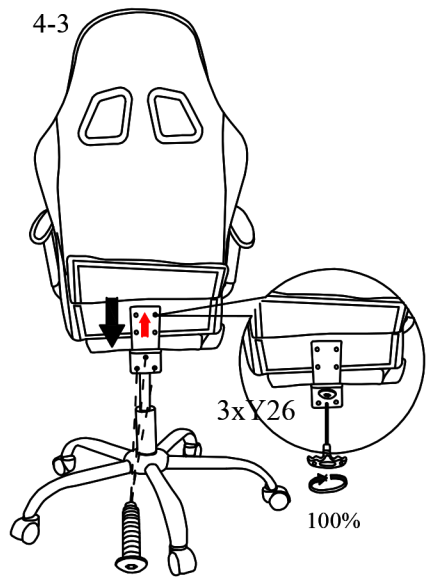
4-1



4-2

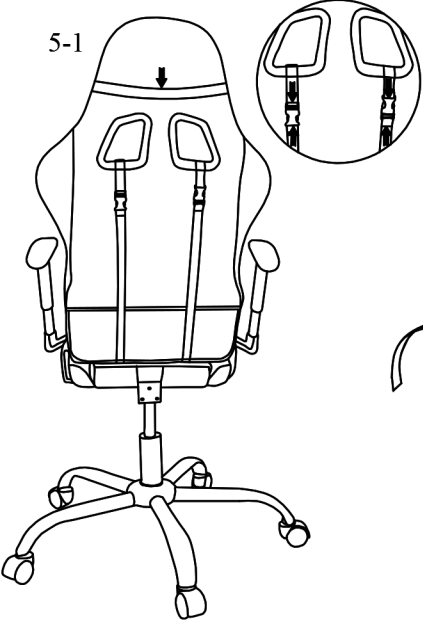


4-3



NOTICE Do not tighten the bolts before the product is fully assembled.

5-1



5-2

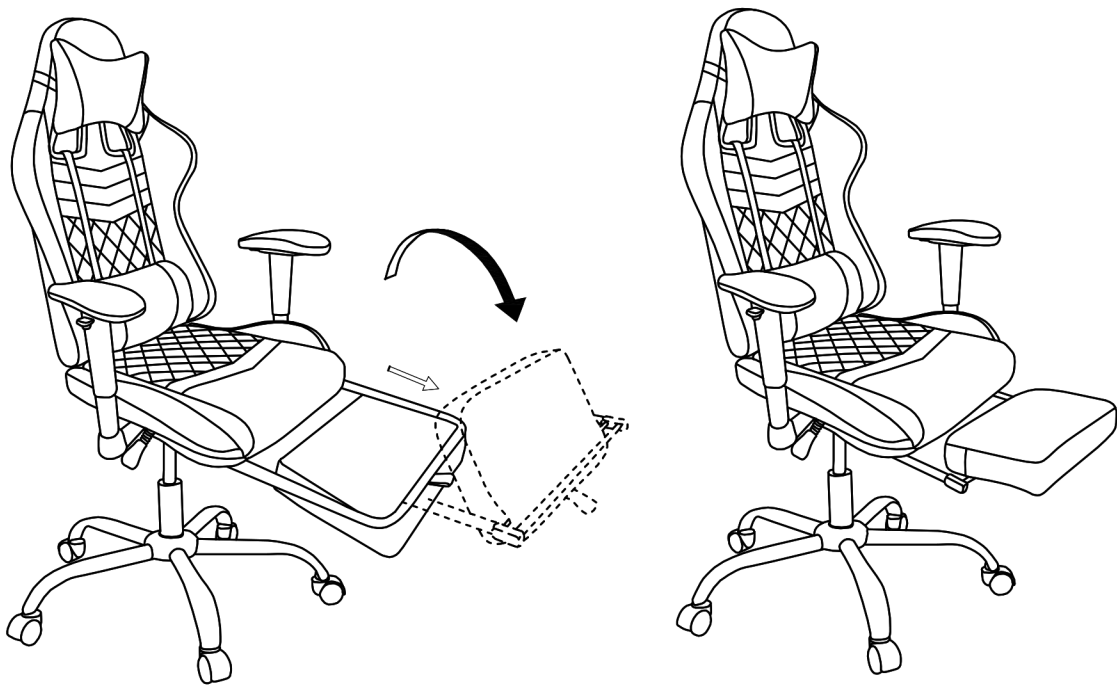


NOTICE Tighten all the bolts after full assembly.

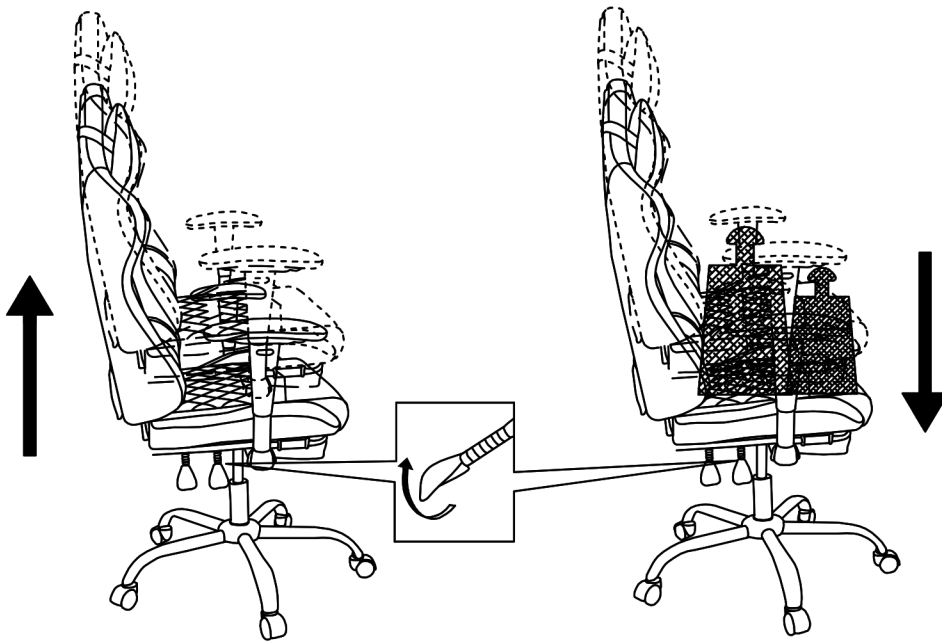
6-1



7

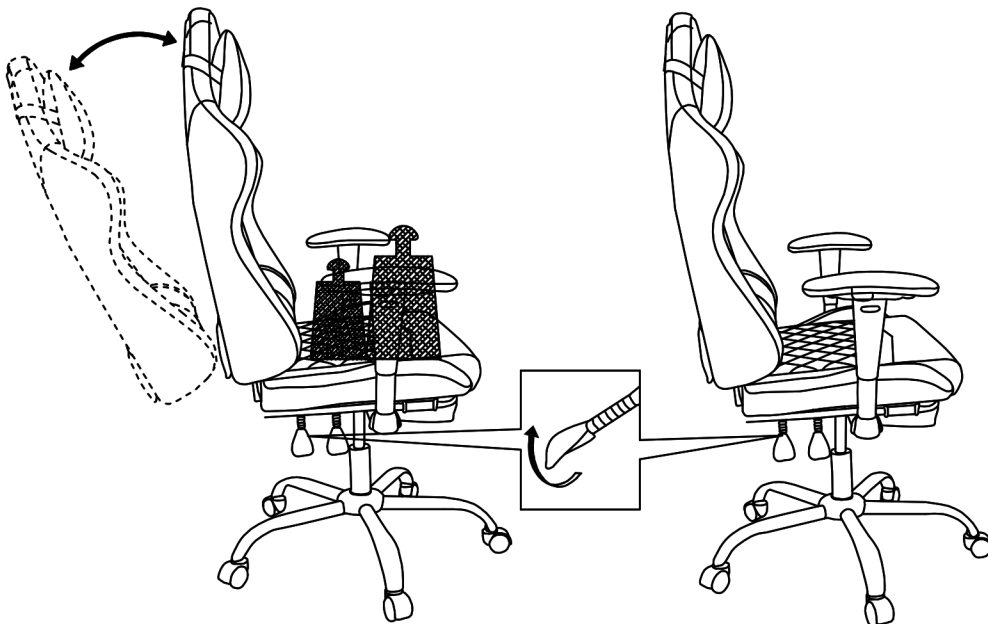


8



There's a circle under the chair if you turn it, it will lessen the force required to the lean back in the chair

9



This chair will not lav flat but can recline. in order to recline. please pull the handle on the side out