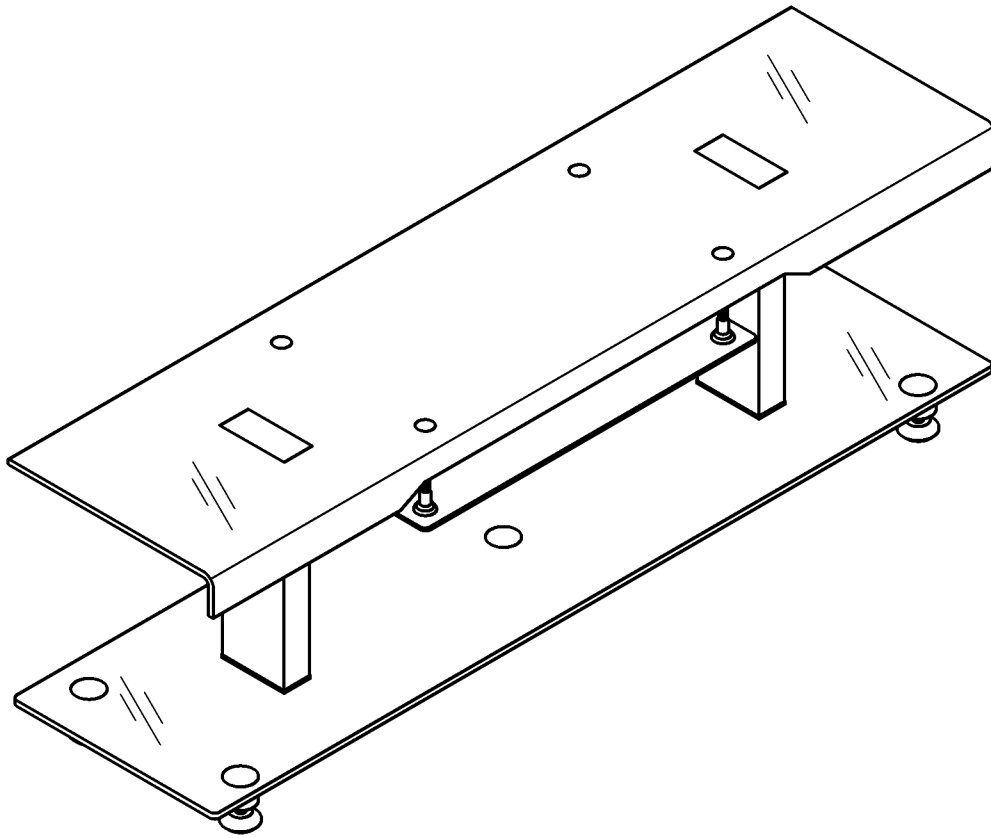


Assembly Instructions



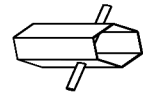
ASSEMBLY RATING

The Assembly Rating is a 5-point system that shows the degree of effort needed in assembling a specific product (with 1 being easy and 5 being difficult). For some products, two persons are recommended.

EASY  DIFFICULT

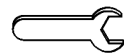
Tools Required For Assembly:

Hex Wrench



(Included)

Wrench



(Included)

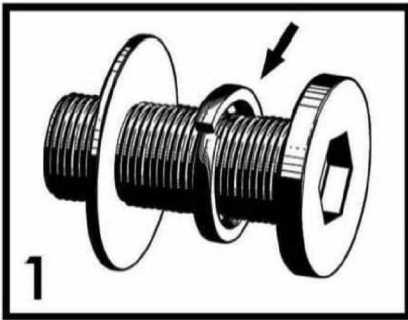


2 PERSONS RECOMMENDED

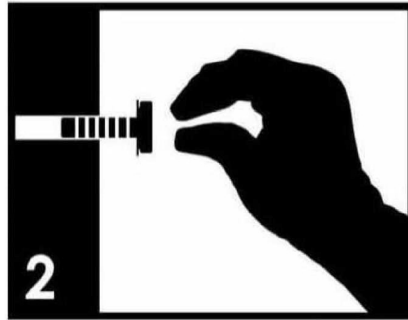
ASSEMBLY & CARE ADVICE

FOR YOUR FURNITURE TO LAST, CORRECT ASSEMBLY AND PROPER MAINTENANCE ARE NECESSARY. PLEASE FOLLOW THE INFORMATION PROVIDED BELOW TO FULLY ENJOY YOUR FURNITURE.

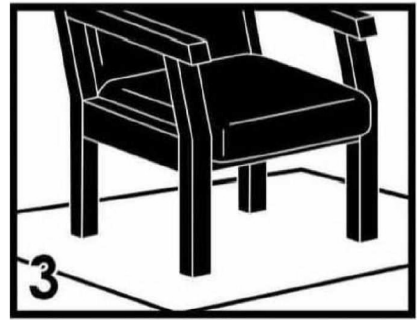
BASIC ASSEMBLY TECHNIQUES



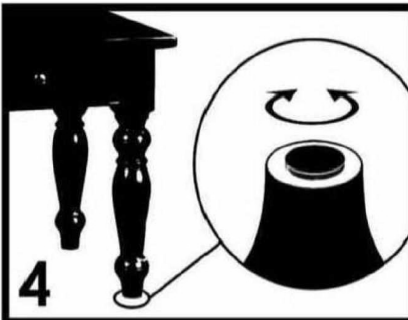
When lock or spring washer is used in an assembly, please make sure the lock or spring washer is placed between the larger flat washer and the head of the screw or bolt.



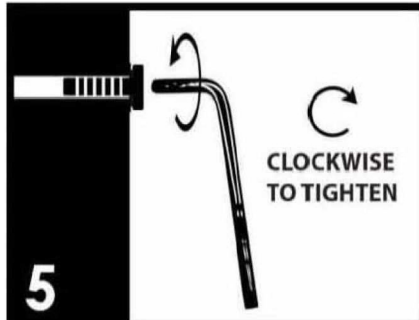
Position each part correctly and insert screws or bolts into their respective holes by hand tighten or using the proper hand tool. Only tighten when step is completed or when instructed to do so.



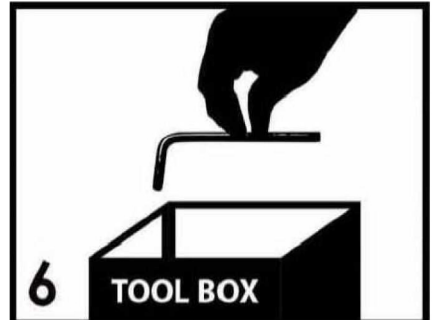
Use cardboard or carpet area when assembling furniture to prevent scratches. Make sure the furniture rests on a flat and level surface with each leg evenly touching the floor.



Some furniture comes with height adjustment knobs underneath each leg. To lower or to raise each leg, you need to turn clockwise or counterclockwise, respectively.



Make sure all parts are properly aligned, then use the appropriate hand tool to completely tighten the bolts or screws. Do not use power tools and do not overtighten.

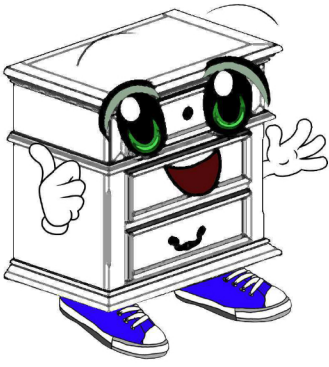


Save the instructions and store the Allen wrench or any supplied tool for later maintenance. After two weeks, check and tighten any loose hardware and repeat again every six months thereafter.

IT IS THE USER'S RESPONSIBILITY TO MAINTAIN THE FURNITURE. THE HARDWARE MAY LOOSEN OVER TIME AND MAY CAUSE THE FURNITURE TO BE WOBBLY AND UNABLE TO SUPPORT ITS INTENDED WEIGHT CAPACITY. THIS MAY LEAD TO COLLAPSE AND MAY CAUSE SERIOUS INJURY.



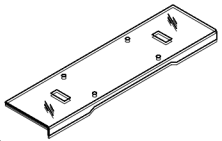
FAILURE TO FOLLOW THE GUIDELINES ABOVE MAY RESULT IN INJURY AND/OR PROPERTY DAMAGE.



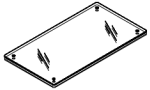
Before you begin, please read Page 2 of "Assembly and Care Advice".

And remember, do not tighten until each step is completed or instructed.

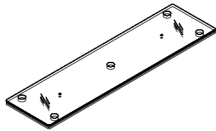
Parts List



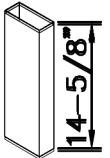
#1 x 1pc
Glass Top



#2 x 1pc
Shelf



#3 x 1pc
Bottom



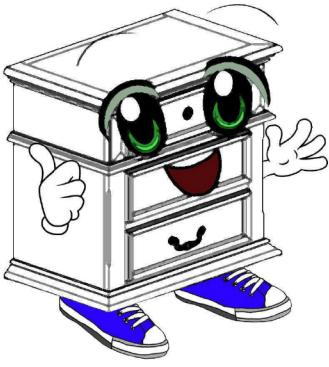
#4 x 2pcs
Leg



#5 x 4pcs
Connector



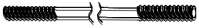
#6 x 5pcs
Aluminium Tube



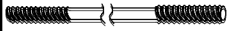
Before you begin, please read Page 2 of "Assembly and Care Advice".

And remember, do not tighten until each step is completed or instructed.

Hardware List



#A x 4pcs
ROD 5/16"X6-1/4"



#B x 2pcs
ROD 3/8"X16-1/8"



#C x 5pcs
ROD 3/8"X5/8"



#D x 10pcs
Plastic Washer



#E x 6pcs
Metal Washer



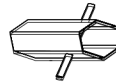
#F x 4pcs
CAP NUT M8



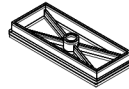
#G x 2pcs
NUT M10



#H x 5pcs
Adjustable Foot



#I x 1pc
Hex Wrench M10



#J x 2pcs
CAP



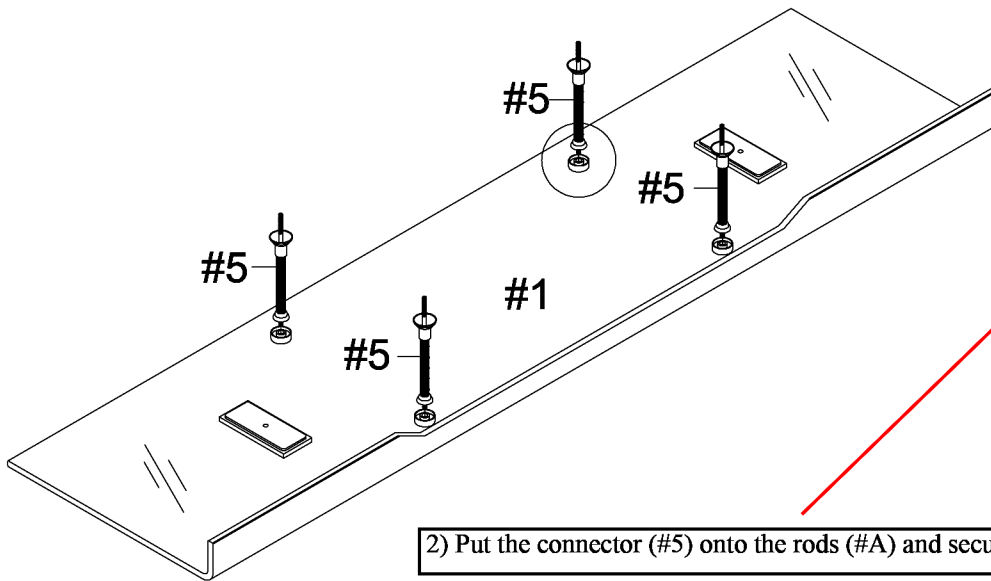
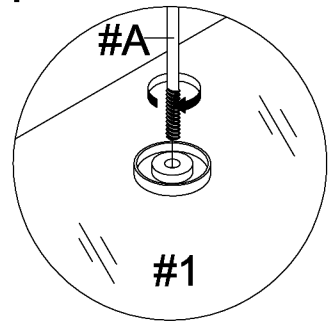
#K x 1pc
Wrench



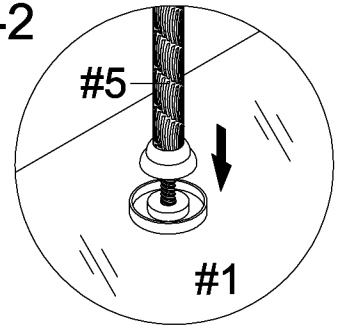
1) Insert rod (#A) to the holes of the glass top (#1).

#A x 4pcs

1-1



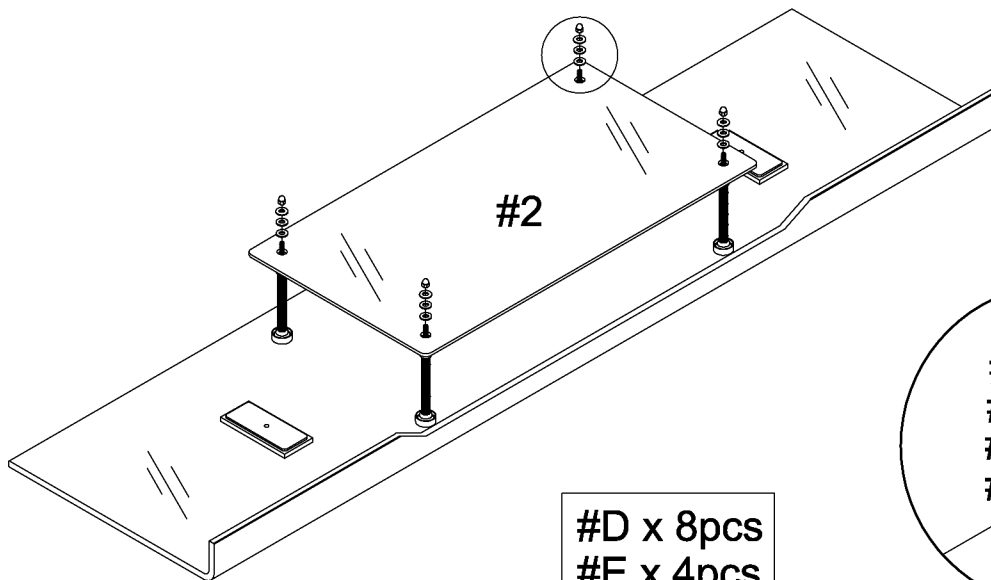
1-2



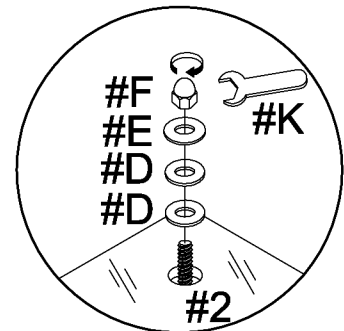
2) Put the connector (#5) onto the rods (#A) and secure.



Place the shelf (#2) onto the connectors, then insert 2 plastic washers and a metal washer (#E) to the rods. Secure with cap nuts (#F) by using the wrench (#K).



#D x 8pcs
#E x 4pcs
#F x 4pcs



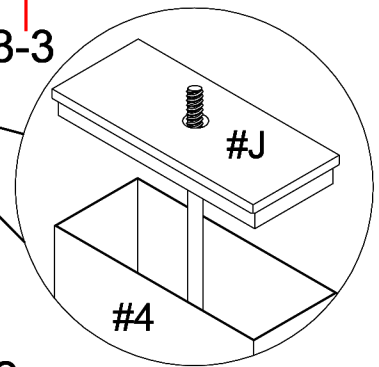


#3

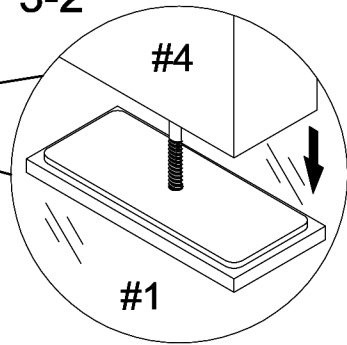
#B x 2pcs
#J x 2pcs

3) Place the cap (#J) on top of legs (#4).

3-3

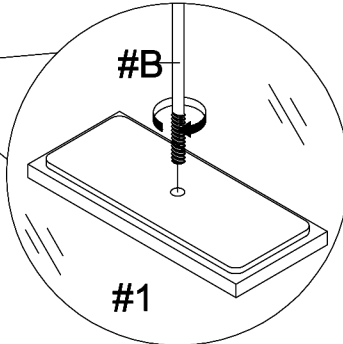


3-2



2) Place legs (#4) over rod (#B).

3-1



1) Insert rod (#B) to the glass top (#1).



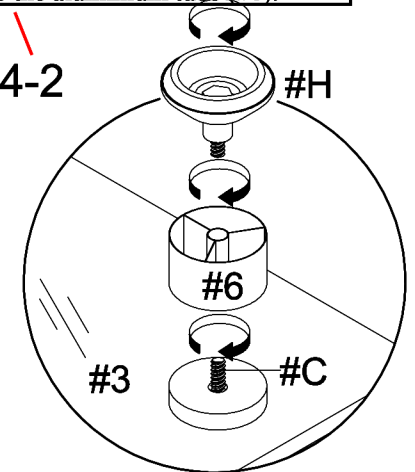
#4

1) Place the bottom panel (#3) on the legs so that the rods fit through the holes.

3) Insert rod (#C) to bottom panel (#3), then insert the aluminium tube (#6) to the rod (#C). Lastly insert the adjustable foot (#H) to the aluminium tube (#6).

#C x 5pcs
#D x 2pcs
#E x 2pcs
#G x 2pcs
#H x 5pcs

4-2



#6

#6

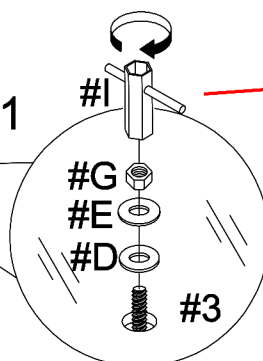
#6

#3

#6

#6

4-1



2) Put the plastic washer (#D) and then the metal washer (#E) onto the rods. Secure with nuts (#G) by using the hex wrench (#I).