

# ASSEMBLY INSTRUCTIONS

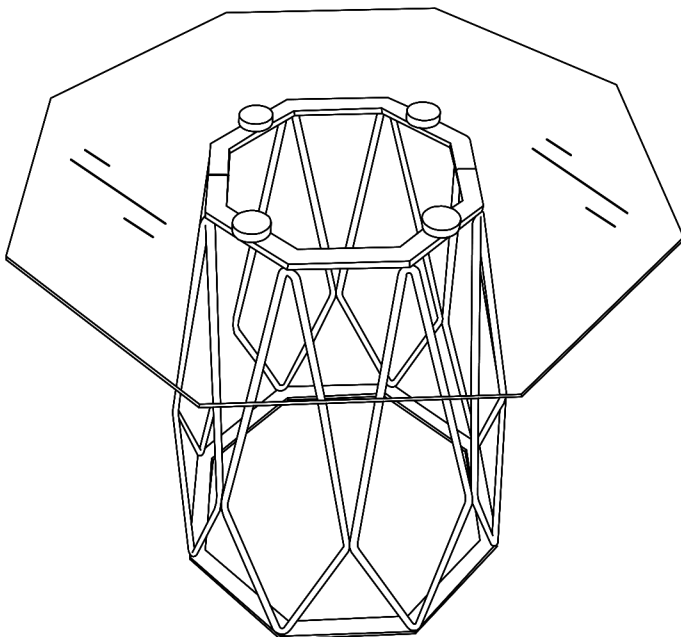
---

## TOOLS REQUIRED



Allen Wrench

(Included)



**2 - People  
Recommended**

## ASSEMBLY RATING



EASY —————> DIFFICULT

The Assembly Rating is a 5-point system showing the level of effort needed to assemble a specific product.



## **CHECK BEFORE STARTING**

### **Are you missing anything?**

Double-check all parts, hardware and accessories listed on Page 6 are accounted for.

### **Check out our Quick Tips!**

We recommend reviewing the pre-assembly handouts. Even experts need a refresher now and then!

### **Should we send any replacements?**

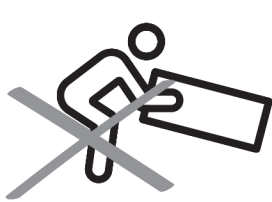
Are there any irregularities or flaws in the parts? We can send replacements!

### **Prep Time!**

Please review the assembly instructions and all diagrams prior to assembling. Arrange parts as recommended on Page 7 and group identical hardware together to make assembling easier.

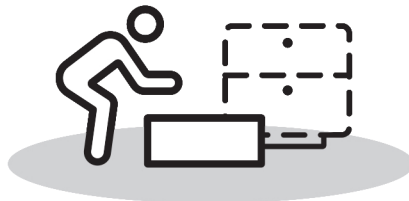
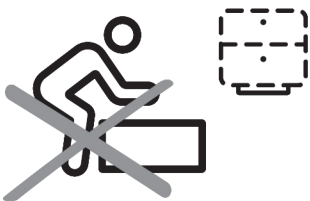
# PRE ASSEMBLY INTRODUCTION

We understand building ready-to-assemble furniture can be a challenging experience for some. To help avoid confusion, we have provided some helpful tips that may speed up the process.



## Teamwork

ALWAYS have at least two people to help with transporting and assembling the product to avoid potential injury and/or damage.



## Suitable Location

Assembling near the area of the intended location is highly recommended.



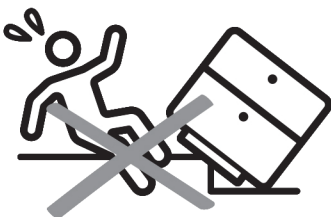
## Sufficient Space

Make sure you have enough space to move around during the assembly.



## Avoid Scratches

Use cardboard, blankets or a carpeted area while assembling furniture to prevent scratches.



## Flat Surface

Make sure the furniture rests on a flat and level surface with each leg evenly touching the floor.

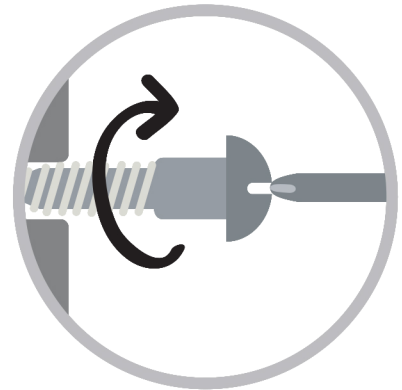
# ASSEMBLY AND CARE ADVICE



**FAILURE TO FOLLOW THE GUIDELINES BELOW MAY RESULT IN INJURY AND/OR PROPERTY DAMAGE.**



Position each part correctly and insert screws or bolts into their respective holes.



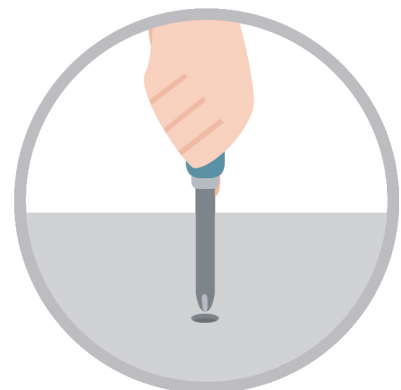
Turn clockwise to tighten and only tighten when step is completed or when instructed to do so.



Use the appropriate hand tools or power tools for assembly. Select steps, such as tightening screws and/or bolts, may require hand tools to avoid causing damage during assembly.

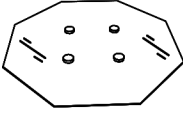
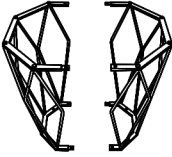














Save the instructions and store any supplied tools for later maintenance.



After two weeks, check and tighten any loose hardware and repeat again every six months thereafter.

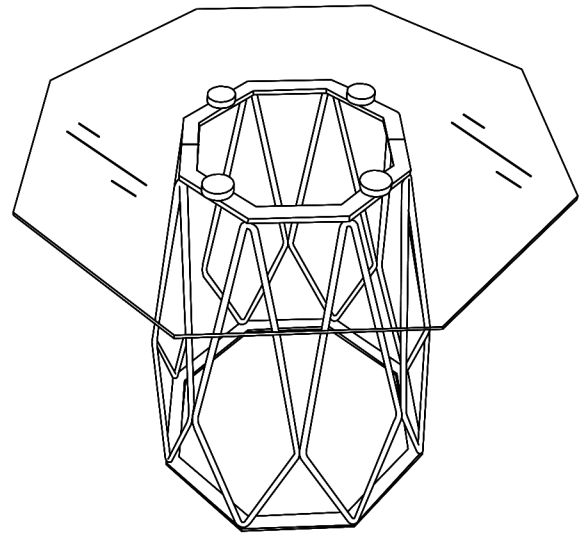
**IT IS THE USER'S RESPONSIBILITY TO MAINTAIN THE FURNITURE. THE HARDWARE MAY LOOSEN OVER TIME AND MAY CAUSE THE FURNITURE TO BE WOBBLY AND UNABLE TO SUPPORT ITS INTENDED WEIGHT CAPACITY. THIS MAY LEAD TO COLLAPSE AND MAY CAUSE SERIOUS INJURY.**

Carton	Designation	Part		Hardware												
	Octagon end table 6mm clear tempered glass top	#2	 <p data-bbox="1018 689 1118 712">Glass Top</p>													
	Octagon end table steel base	#1	 <p data-bbox="1023 927 1121 949">Table Leg</p>	<table border="0"> <tr> <td data-bbox="1281 748 1361 770">#A x 4pcs</td> <td data-bbox="1422 748 1501 770">#B x 4pcs</td> </tr> <tr> <td data-bbox="1281 779 1361 808"></td> <td data-bbox="1422 779 1501 808"></td> </tr> <tr> <td data-bbox="1259 817 1370 840">Bolt M6*16MM</td> <td data-bbox="1396 817 1501 840">Bolt M6*6MM</td> </tr> <tr> <td data-bbox="1281 869 1361 891">#C x 1pc</td> <td data-bbox="1412 869 1492 891">#D x 4pcs</td> </tr> <tr> <td data-bbox="1281 900 1361 929"></td> <td data-bbox="1422 900 1501 929"></td> </tr> <tr> <td data-bbox="1262 934 1367 956">Allen Wrench</td> <td data-bbox="1399 934 1501 956">Flat Washer OD13*ID6.2*0.8MM</td> </tr> </table>	#A x 4pcs	#B x 4pcs			Bolt M6*16MM	Bolt M6*6MM	#C x 1pc	#D x 4pcs			Allen Wrench	Flat Washer OD13*ID6.2*0.8MM
#A x 4pcs	#B x 4pcs															
																
Bolt M6*16MM	Bolt M6*6MM															
#C x 1pc	#D x 4pcs															
																
Allen Wrench	Flat Washer OD13*ID6.2*0.8MM															

# END TABLE



- Please keep instructions for future reference.
- Check the quantity and irregularity of parts and hardware before you start.



## PARTS

#1 2pcs

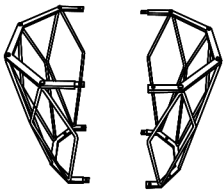
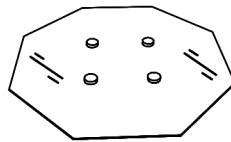


Table Leg

#2 1pc



Glass Top

## HARDWARE

#A 4pcs



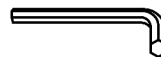
Bolt M6\*16MM

#B 4pcs



Bolt M6\*6MM

#C 1pc



Allen Wrench

#D 4pcs



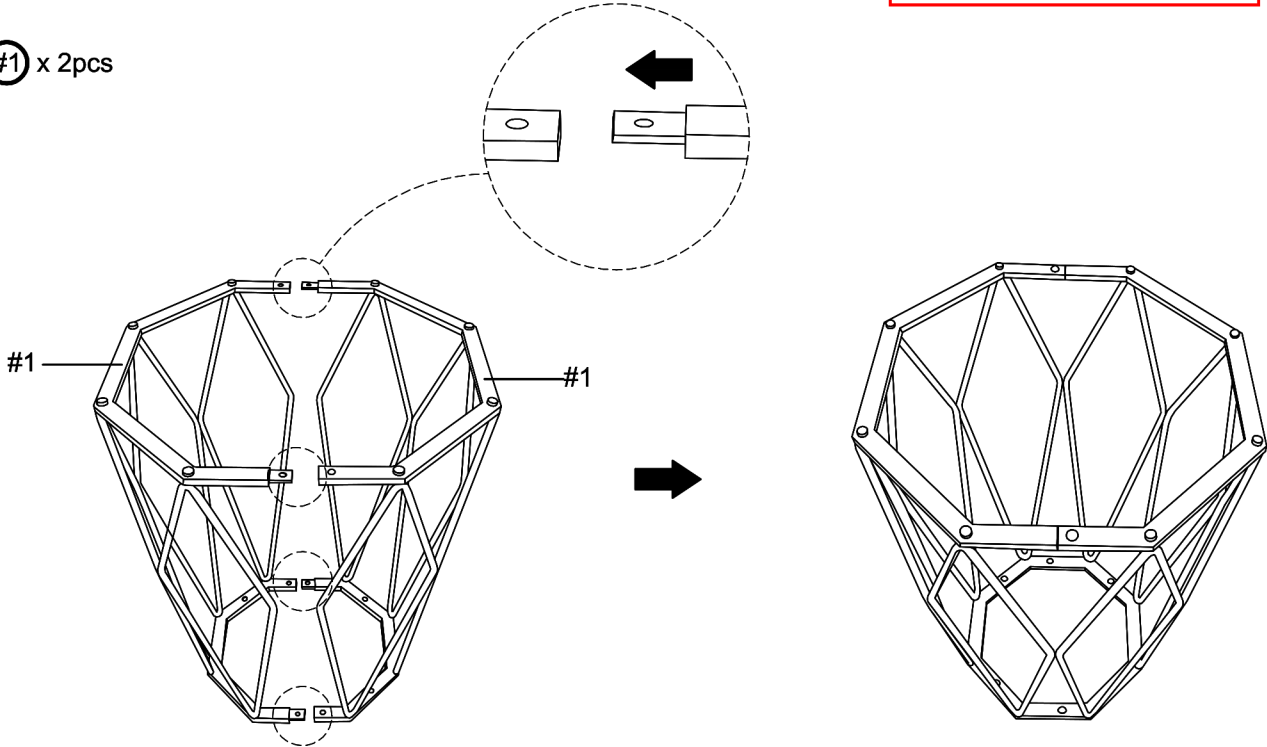
Flat Washer  
OD13\*ID6.2\*0.8MM

# ASSEMBLY INSTRUCTIONS

1

Align table legs (#1) together.

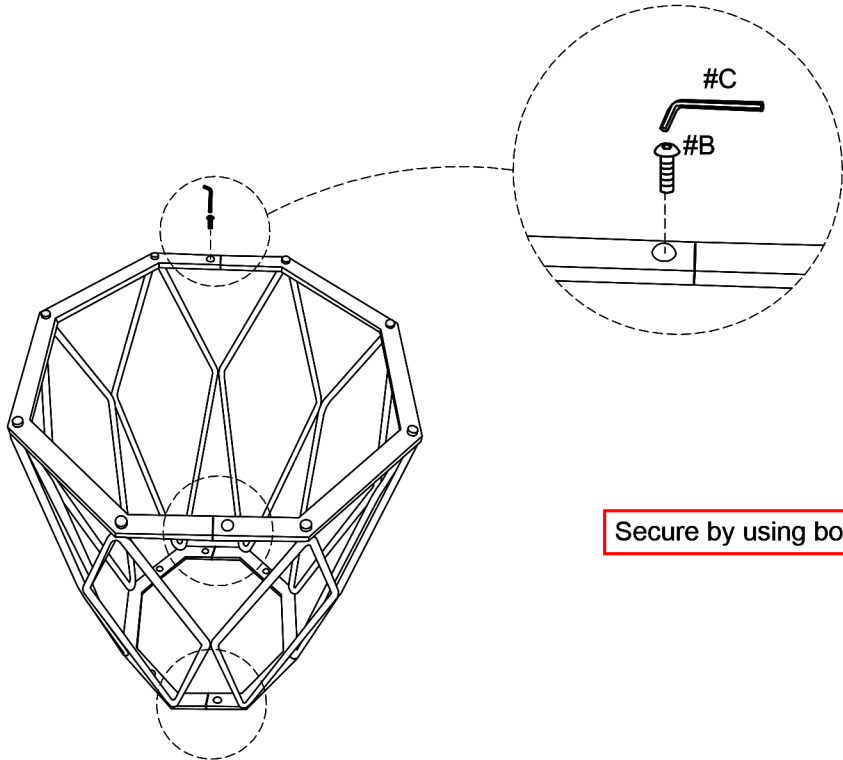
Part #1 x 2pcs



2

Hardware #B x 4pcs

Hardware #C x 1pc



Secure by using bolts (#B).

# ASSEMBLY INSTRUCTIONS

## 3

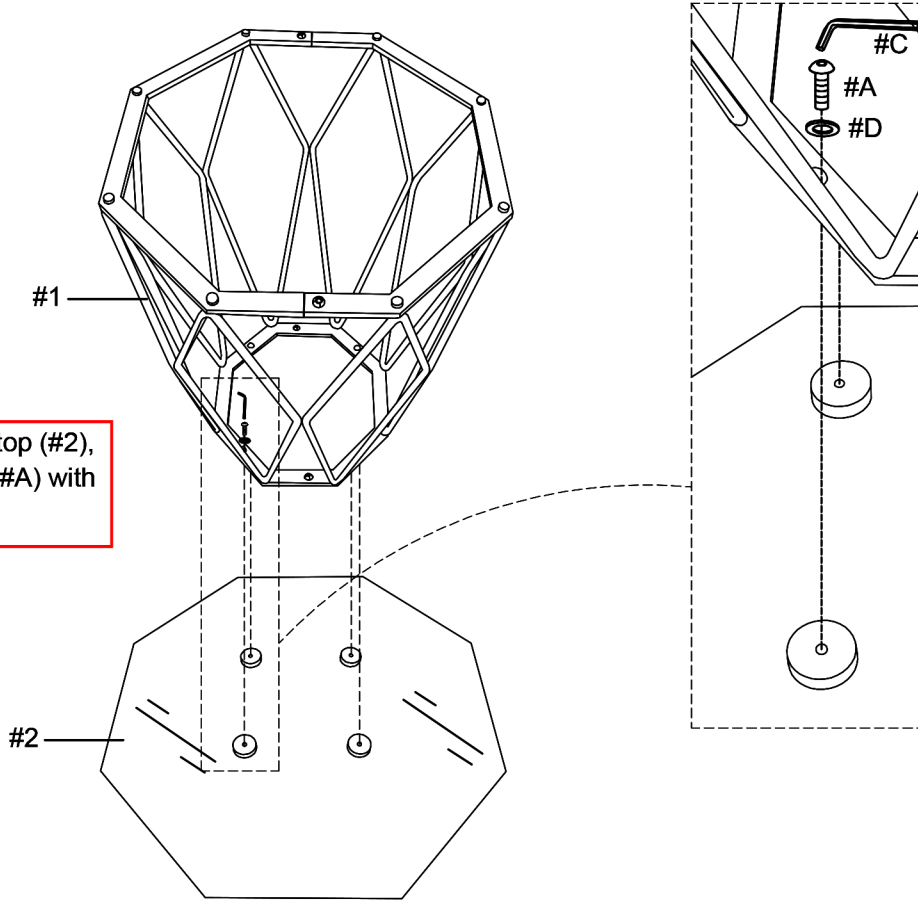
Part **#2** x 1pc

Hardware **#A** x 4pcs

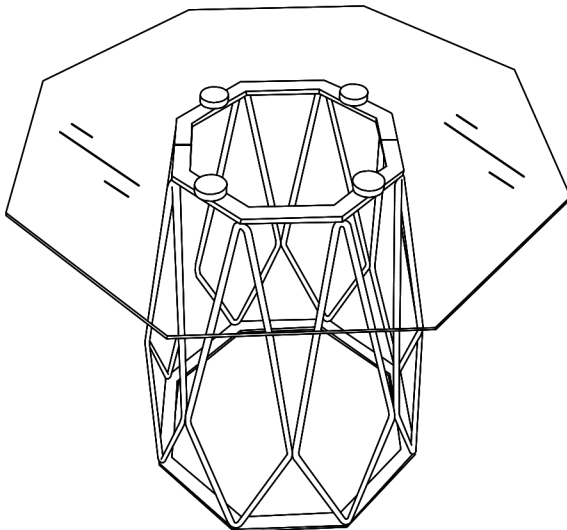
Hardware **#C** x 1pc

Hardware **#D** x 4pcs

Align legs (**#1**) to the glass top (**#2**), then secure by using bolts (**#A**) with washers (**#D**).



## 4



## ASSEMBLY COMPLETED



Please ensure the furniture rests on an even and flat surface. If the product wobbles or feels loose, double-check all bolts and/or screws are properly tightened and secured.



### Keep this handy!

Please retain this instruction manual and any order-related information for future reference.



### Lift, don't drag!

To avoid damage to product please always LIFT the product when transporting or adjusting the placement.