

Assembly Instructions

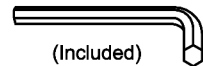


ASSEMBLY RATING

The Assembly Rating is a 5-point system that shows the degree of effort needed in assembling a specific product (with 1 being easy and 5 being difficult). For some products, two persons are recommended.

Tools Required For Assembly:

Allen Wrench



(Included)

EASY



DIFFICULT

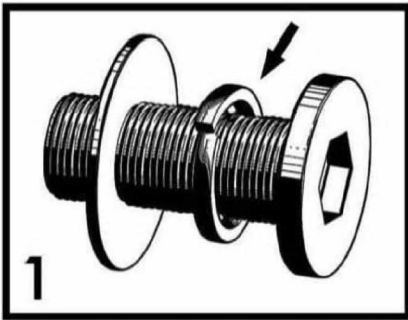


2 PERSONS RECOMMENDED

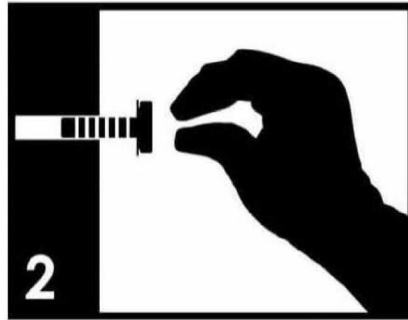
ASSEMBLY & CARE ADVICE

FOR YOUR FURNITURE TO LAST, CORRECT ASSEMBLY AND PROPER MAINTENANCE ARE NECESSARY. PLEASE FOLLOW THE INFORMATION PROVIDED BELOW TO FULLY ENJOY YOUR FURNITURE.

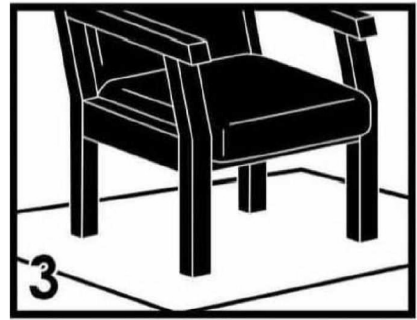
BASIC ASSEMBLY TECHNIQUES



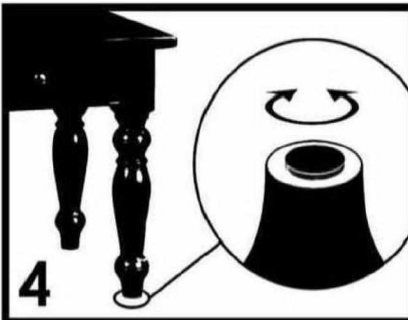
When lock or spring washer is used in an assembly, please make sure the lock or spring washer is placed between the larger flat washer and the head of the screw or bolt.



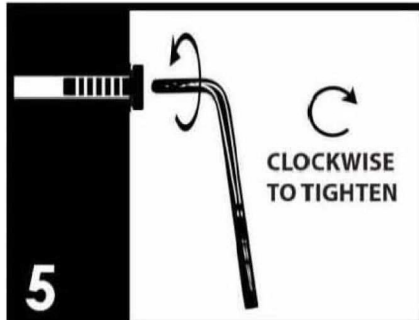
Position each part correctly and insert screws or bolts into their respective holes by hand tighten or using the proper hand tool. Only tighten when step is completed or when instructed to do so.



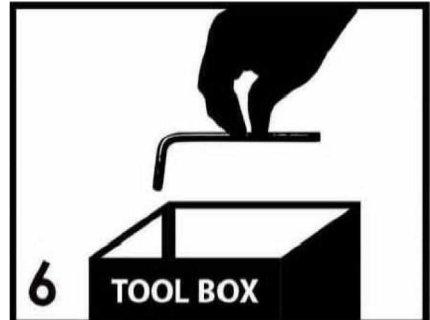
Use cardboard or carpet area when assembling furniture to prevent scratches. Make sure the furniture rests on a flat and level surface with each leg evenly touching the floor.



Some furniture comes with height adjustment knobs underneath each leg. To lower or to raise each leg, you need to turn clockwise or counterclockwise, respectively.



Make sure all parts are properly aligned, then use the appropriate hand tool to completely tighten the bolts or screws. Do not use power tools and do not overtighten.

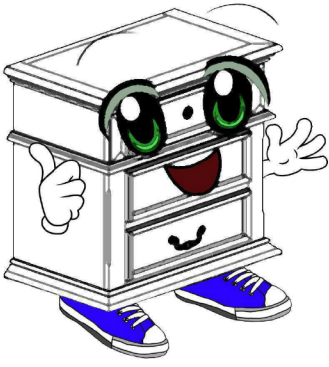


Save the instructions and store the Allen wrench or any supplied tool for later maintenance. After two weeks, check and tighten any loose hardware and repeat again every six months thereafter.

IT IS THE USER'S RESPONSIBILITY TO MAINTAIN THE FURNITURE. THE HARDWARE MAY LOOSEN OVER TIME AND MAY CAUSE THE FURNITURE TO BE WOBBLY AND UNABLE TO SUPPORT ITS INTENDED WEIGHT CAPACITY. THIS MAY LEAD TO COLLAPSE AND MAY CAUSE SERIOUS INJURY.



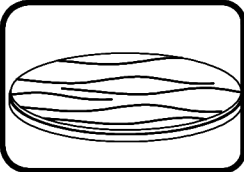
FAILURE TO FOLLOW THE GUIDELINES ABOVE MAY RESULT IN INJURY AND/OR PROPERTY DAMAGE.



Before you begin, please read Page 2 of "Assembly and Care Advice".

And remember, do not tighten until each step is completed or instructed.

Parts List



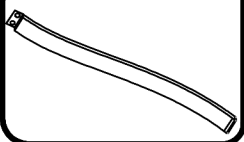
#1 x 1pc
Coffee Table Top



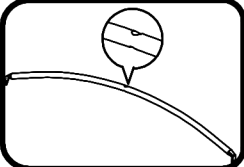
#2 x 1pc
End Table Top



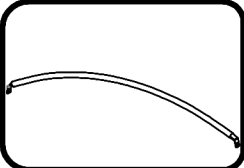
#3 x 4pcs
Coffee Table Leg



#4 x 8pcs
End Table Leg



#5 x 1pc
Coffee Table Bottom Stretcher



#6 x 1pc
Coffee Table Top Sctretcher

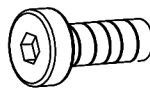


#7 x 2pcs
End Table Bottom Stretcher



#8 x 2pcs
End Table Top Stretcher

Hardware List



#A x 3pcs
Bolt 3/16" x 5/8"



#B x 36pcs
Bolt 1/4"x3/8"

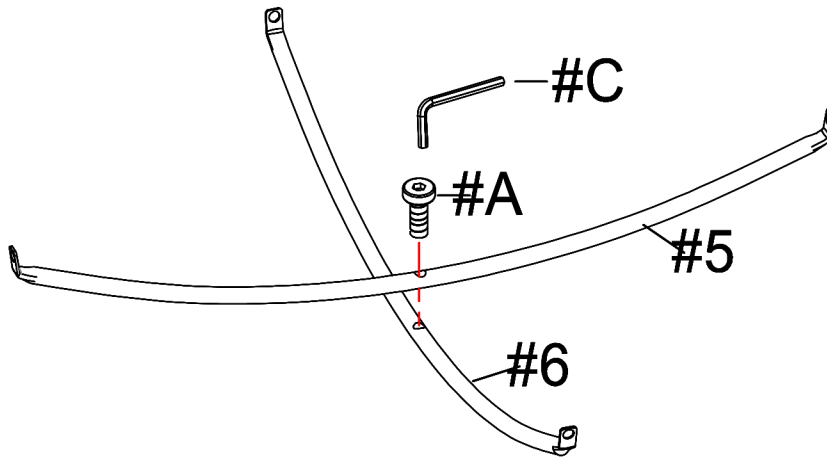


#C x 1pc
Allen Wrench



Coffee Table

#A x 1pc

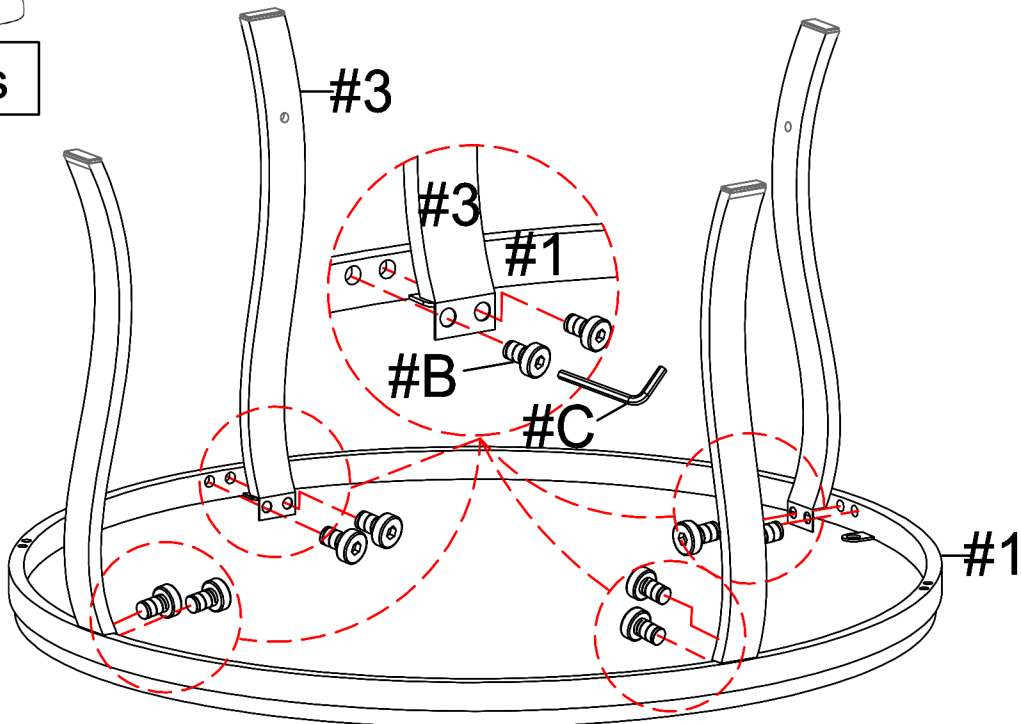


Align the bottom stretcher (#5) to the holes of the top stretcher (#6), then secure with bolts (#A) by using an Allen wrench (#C) as shown in the picture.



Align table legs (#3) to the holes of the table top (#1). Secure with bolts (#B).

#B x 8pcs

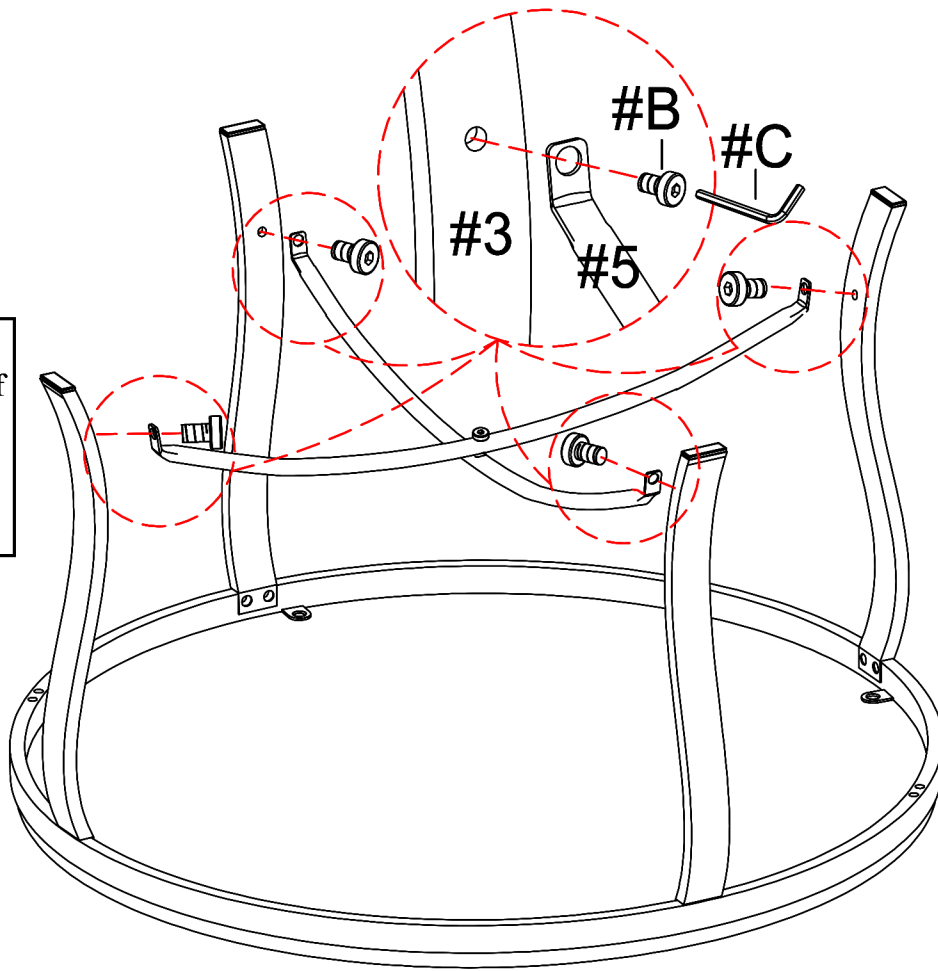




#3

#B x 4pcs

Align stretchers (#5,6) to the holes of the legs (#3), then secure with bolts (#B).

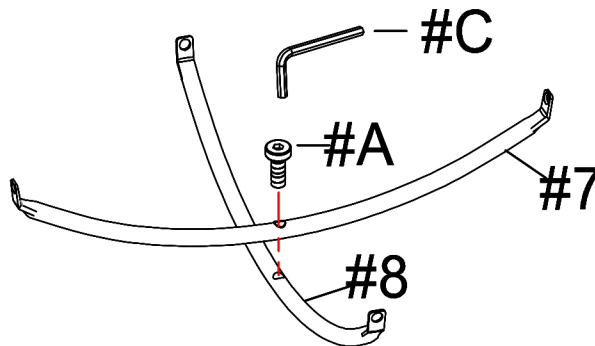


#4

#A x 2pcs

End Table

Align bottom stretcher (#7) to the hole of the top stretcher (#8), then secure with bolts (#A).



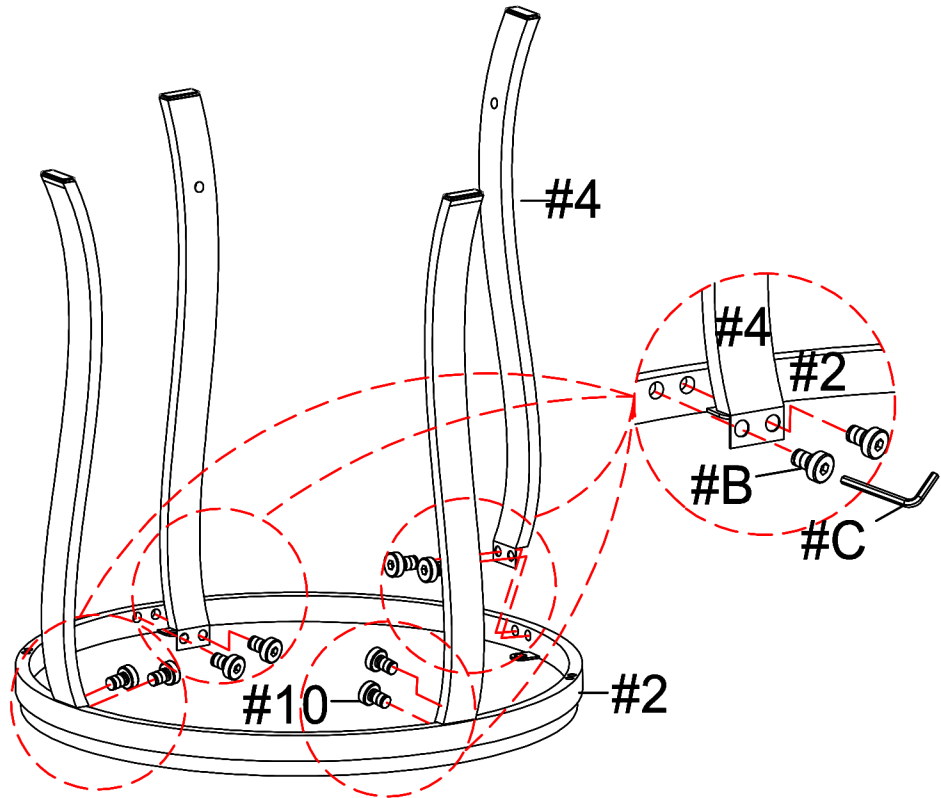
x 2



#5

Align end table legs (#4) to the holes of the end table top (#2), then secure with bolts (#B).

#B x 16pcs



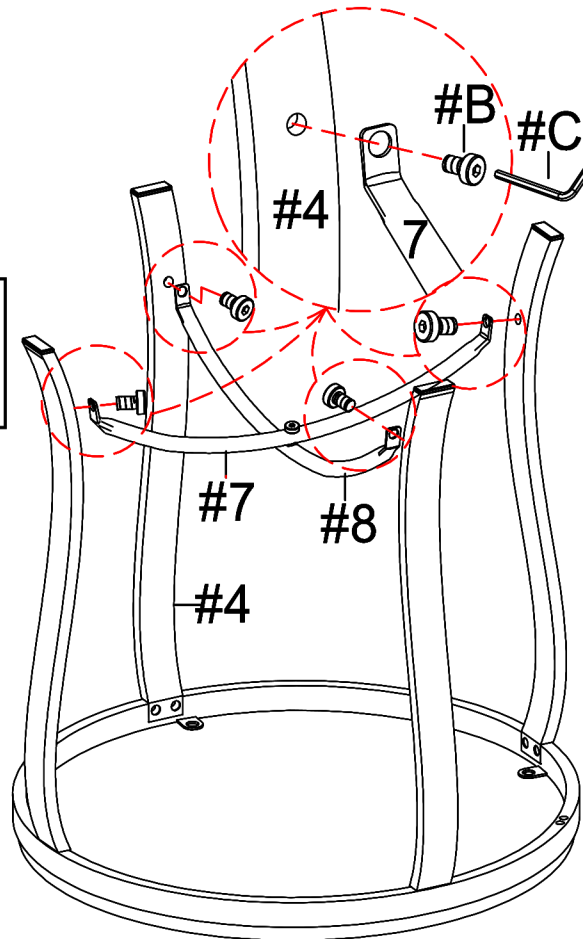
x 2



#6

#B x 8pcs

Align stretchers (#7,8) to the holes of the legs (#4), then secure with bolts (#B).



x 2