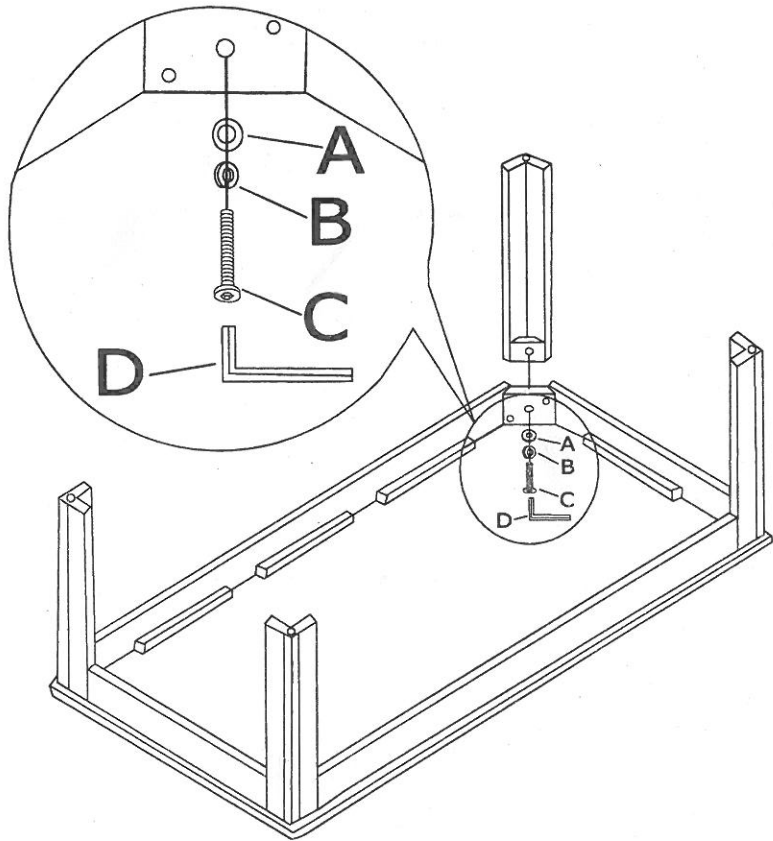
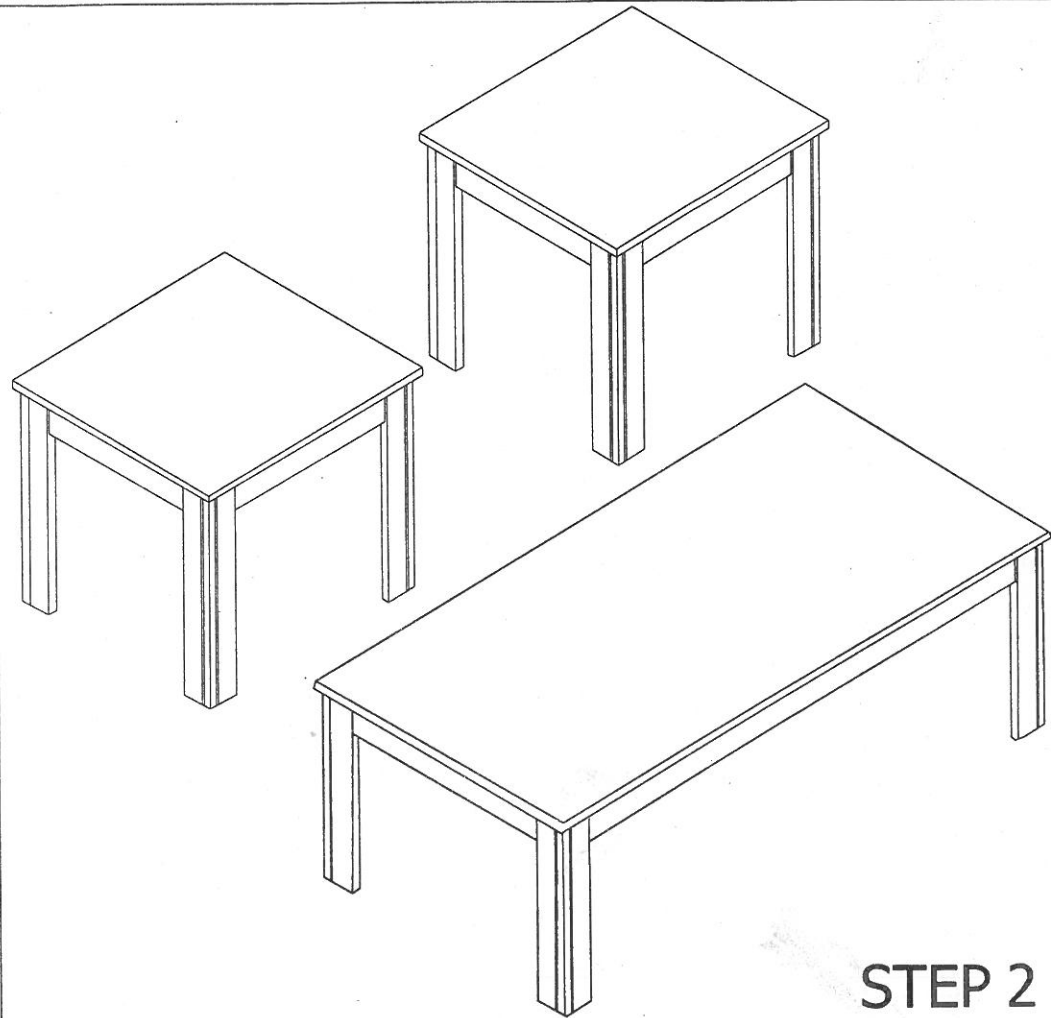


Assembly Instructions



STEP 1



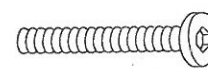
STEP 2

A



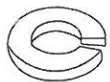
12PCS

C



12PCS

B



12PCS

D



1PC