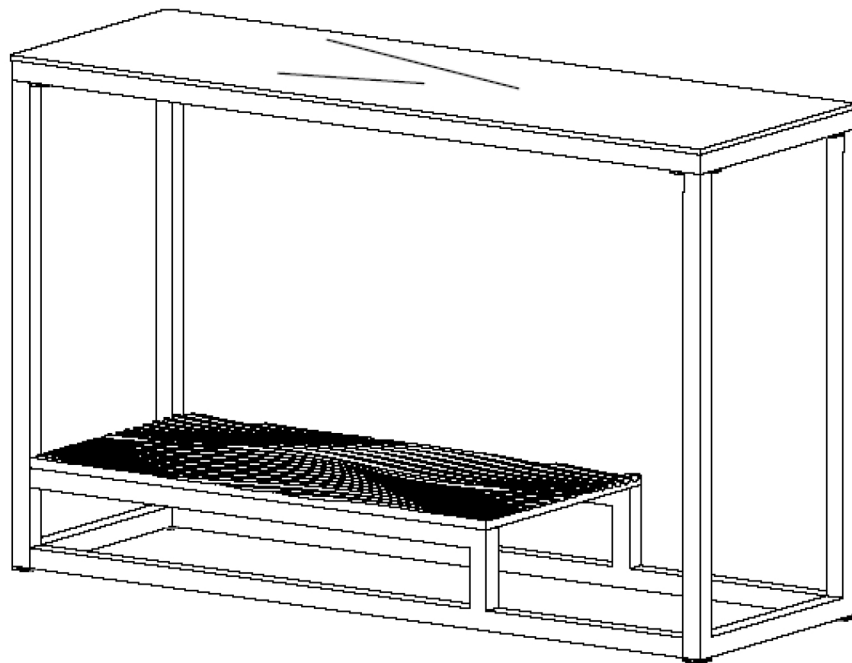


# Assembly Instructions



## ASSEMBLY RATING

The Assembly Rating is a 5-point system that shows the degree of effort needed in assembling a specific product (with 1 being easy and 5 being difficult). For some products, two persons are recommended.

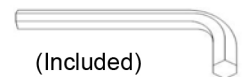
EASY



DIFFICULT

## Tools Required for Assembly:

Allen Wrench



(Included)

Phillips Screwdriver



(not Included)

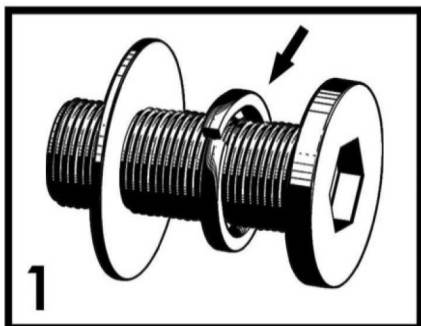


2 PERSONS RECOMMENDED

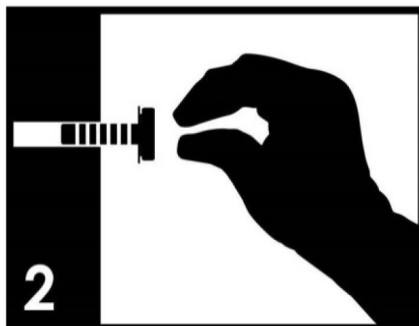
# ASSEMBLY & CARE ADVICE

FOR YOUR FURNITURE TO LAST, CORRECT ASSEMBLY AND PROPER MAINTENANCE ARE NECESSARY. PLEASE FOLLOW THE INFORMATION PROVIDED BELOW TO FULLY ENJOY YOUR FURNITURE.

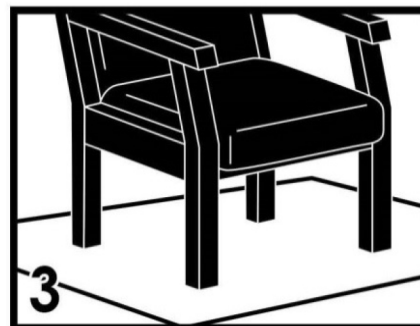
## BASIC ASSEMBLY TECHNIQUES



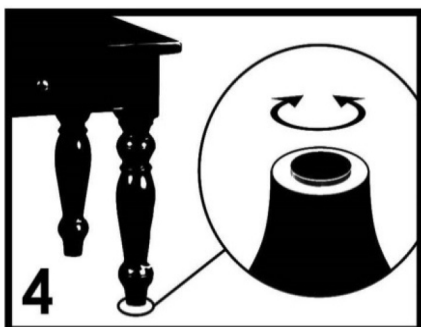
1 When lock or spring washer is used in an assembly, please make sure the lock or spring washer is placed between the larger flat washer and the head of the screw or bolt.



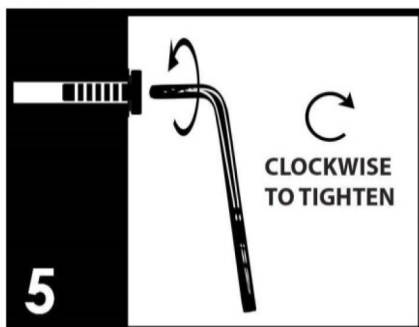
2 Position each part correctly and insert screws or bolts into their respective holes by hand tighten or using the proper hand tool. Only tighten when step is completed or when instructed to do so.



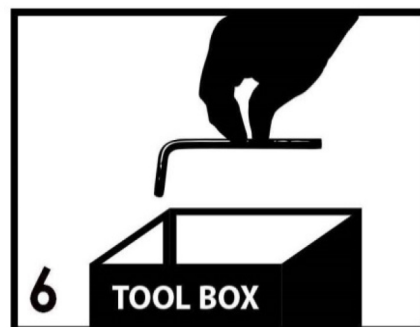
3 Use cardboard or carpet area when assembling furniture to prevent scratches. Make sure the furniture rests on a flat and level surface with each leg evenly touching the floor.



4 Some furniture comes with height adjustment knobs underneath each leg. To lower or to raise each leg, you need to turn clockwise or counterclockwise, respectively.



5 Make sure all parts are properly aligned, then use the appropriate hand tool to completely tighten the bolts or screws. Do not use power tools and do not overtighten.

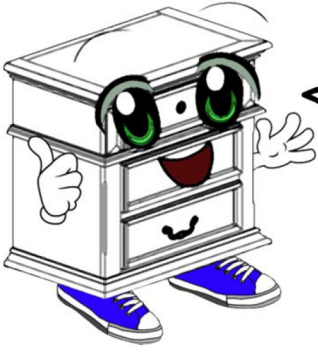


6 Save the instructions and store the Allen wrench or any supplied tool for later maintenance. After two weeks, check and tighten any loose hardware and repeat again every six months thereafter.

IT IS THE USER'S RESPONSIBILITY TO MAINTAIN THE FURNITURE. THE HARDWARE MAY LOOSEN OVER TIME AND MAY CAUSE THE FURNITURE TO BE WOBBLY AND UNABLE TO SUPPORT ITS INTENDED WEIGHT CAPACITY. THIS MAY LEAD TO COLLAPSE AND MAY CAUSE SERIOUS INJURY.



FAILURE TO FOLLOW THE GUIDELINES ABOVE MAY RESULT IN INJURY AND/OR PROPERTY DAMAGE.



Before you begin, please read Page 2 of "Assembly and Care Advice".

And remember, do not tighten until each step is completed or instructed.

MD

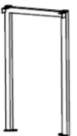
### Parts List



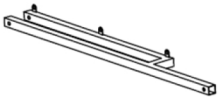
#1 x 1 pc  
Table Frame



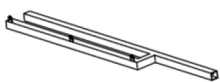
#2 x 1 pc  
Leg Stand A



#3 x 1 pc  
Leg Stand B



#4 x 1 pc  
Stand Support A



#5 x 1 pc  
Stand Support B

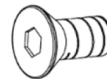


#6 x 1 pc  
Shelf



#7 x 1 pc  
Glass Top

### Hardware List



#A x 8 pcs  
Flat Bolt 1/4"x3/8"



#B x 6 pcs  
Bolt 1/4"x3/8"



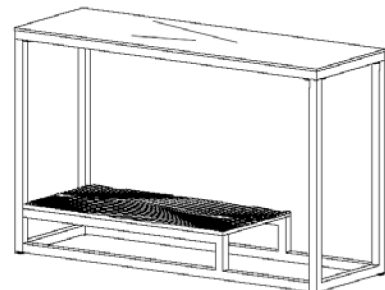
#C x 6 pcs  
Screw



#D x 6 pcs  
Spacer



#E x 1 pc  
Allen Wrench



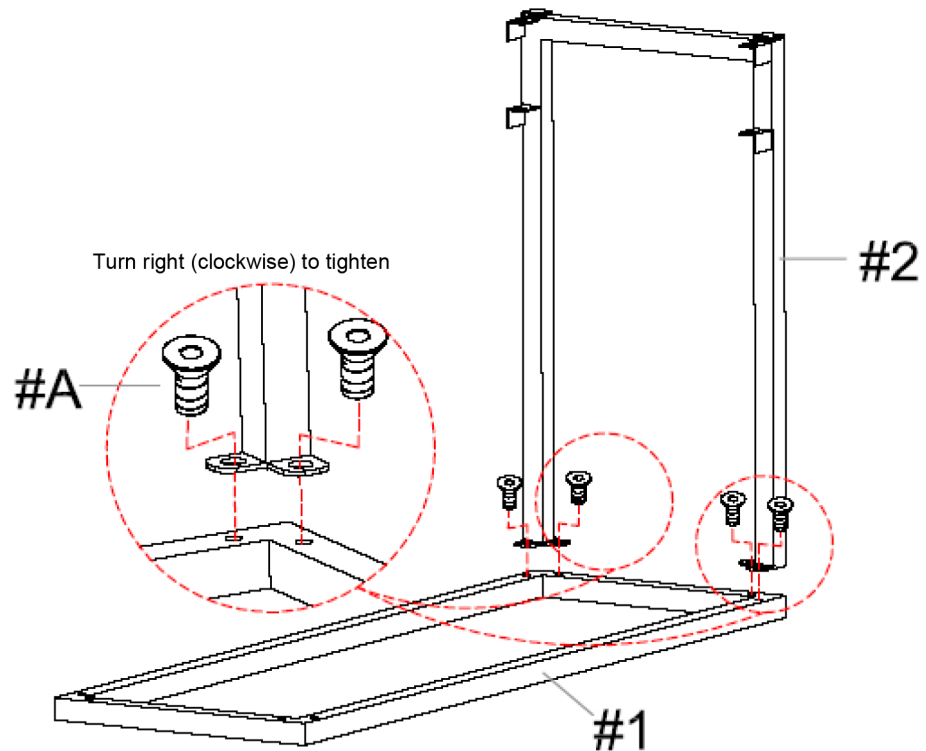
Due to the size and/or weight of this product, it is highly recommended that the assembly should be done near the area of its intended location. Make sure you have enough space to move around during the assembly. ALWAYS have at least two people to help with transporting and assembling of the product and to avoid any potential injury and/or damage.



#1

- I. Align the leg stand A (#2) with the pre-drilled holes on the table frame (#1).
- II. Insert 4 flat-head bolts (#A) through the brackets of the leg stand A (#2) and secure those bolts using the Allen wrench (#E) to lock them with the table frame (#1).

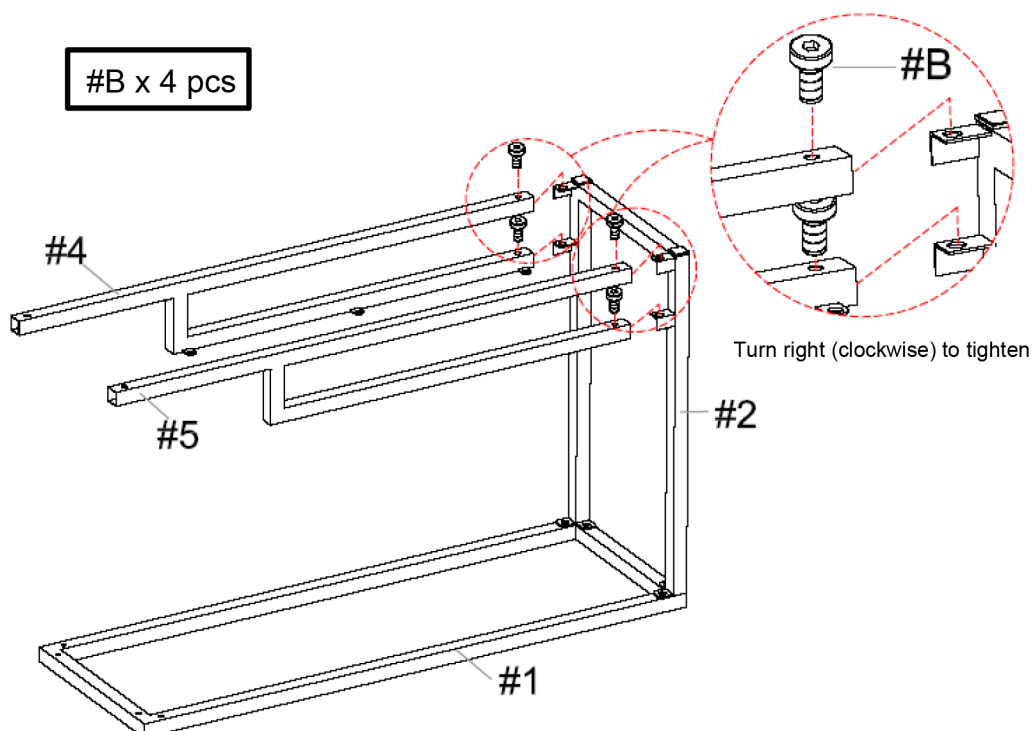
#A x 4 pcs



#2

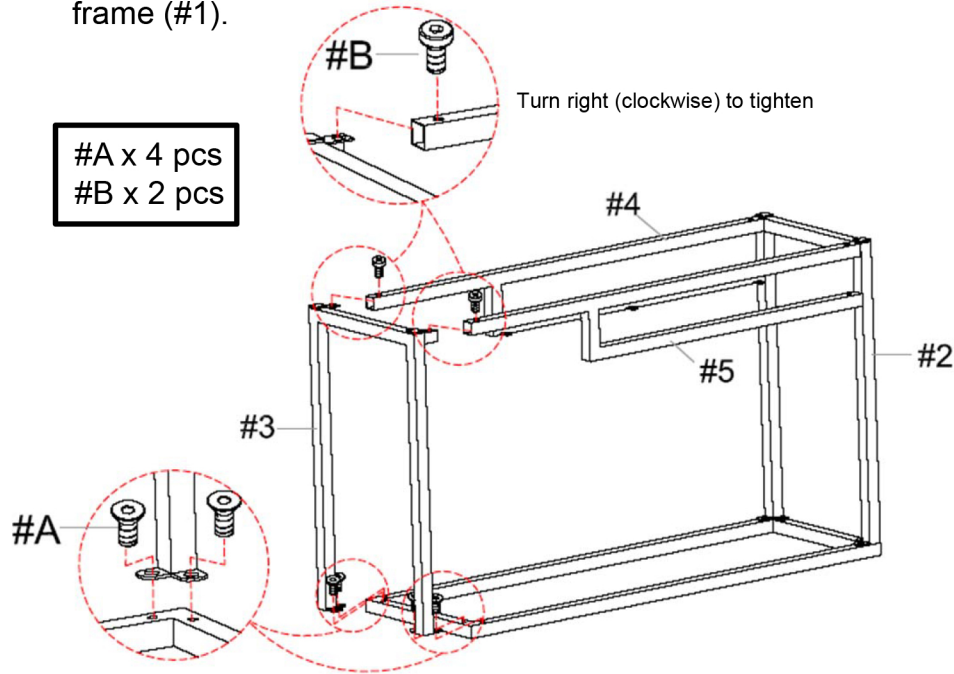
- I. Insert the stand support A (#4) and the stand support B (#5) into the leg stand A (#2).
- II. Insert 4 bolts (#B) through the stand support A (#4) and the stand support B (#5) and secure those bolts using the Allen wrench (#E) to lock them with the leg stand A (#2).

#B x 4 pcs

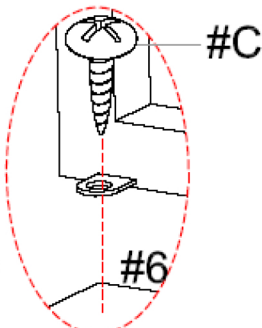




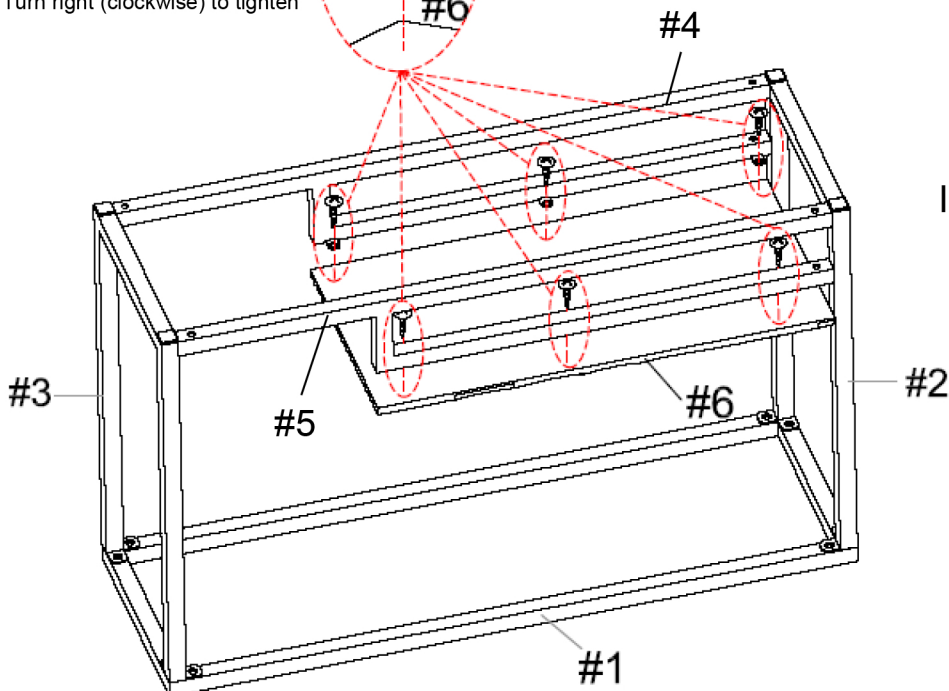
- I. Insert the leg stand B (#3) into the other side of the stand support A (#4) and the stand support B (#5)
- II. Insert 2 bolts (#B) through the stand support A (#4) and the stand support B (#5) and secure those bolts using the Allen wrench (#E) to lock them with the leg stand B (#3).
- III. Align the leg stand B (#3) with the pre-drilled holes on the other side of the table frame (#1).
- IV. Insert 4 flat-head bolts (#A) through the brackets of the leg stand B (#3) and secure those bolts using the Allen wrench (#E) to lock them with the table frame (#1).



Turn right (clockwise) to tighten



#C x 6 pcs

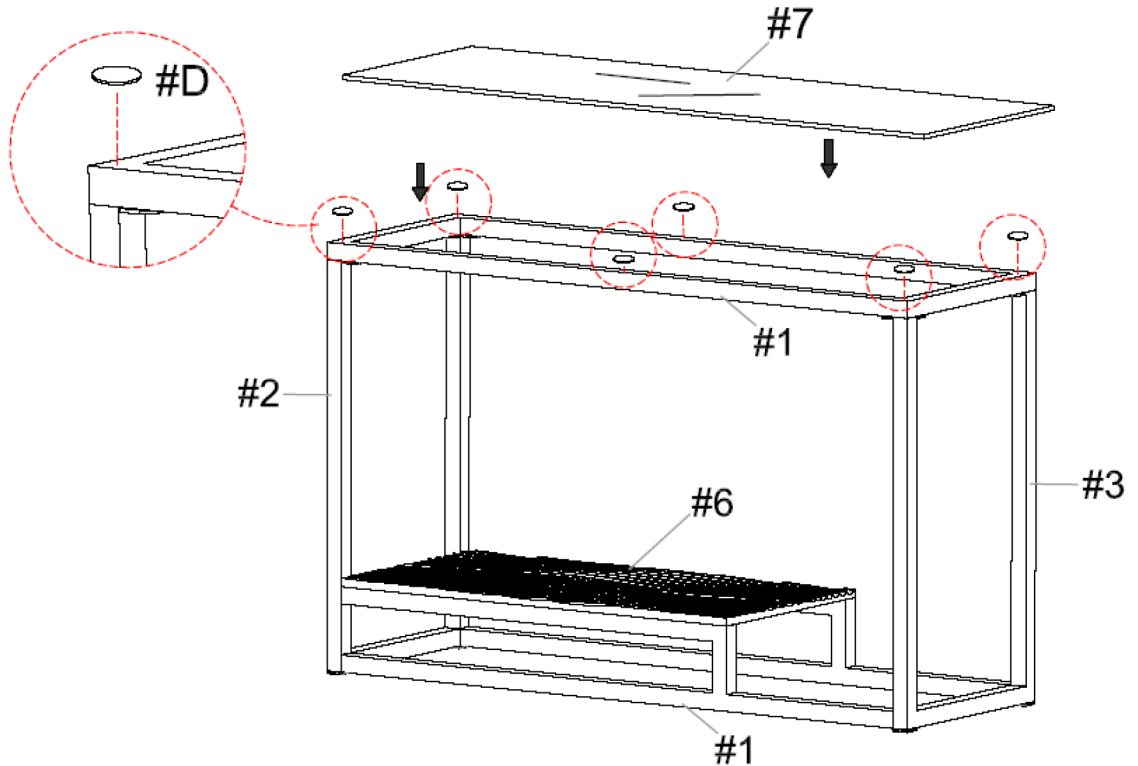


- I. Align the shelf (#6) with the brackets of the assembled stand support A (#4) and the stand support B (#5).
- II. Secure 6 screws (#C) through the brackets of the assembled stand support A (#4) and the stand support B (#5) using the Phillips screwdriver to tighten with the shelf (#6).

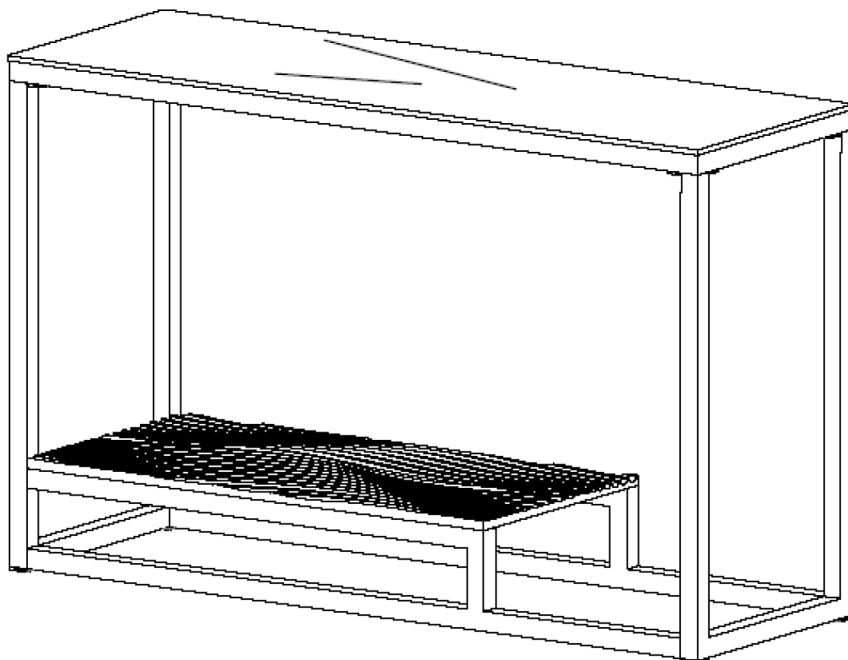


- I. Place the table in the upright position. Place 6 spacers (#D) on top of the table frame (#1) as shown on diagram below.
- II. With the help of another person, carefully place the glass top (#7) over the spacers (#D) and the table frame (#1).

#D x 6 pcs



Make sure the table is rested on a flat surface and does not feel loose or wobbly. If it does, double check that the bolts/screws are secured and properly tightened.



**ASSEMBLY IS COMPLETED**