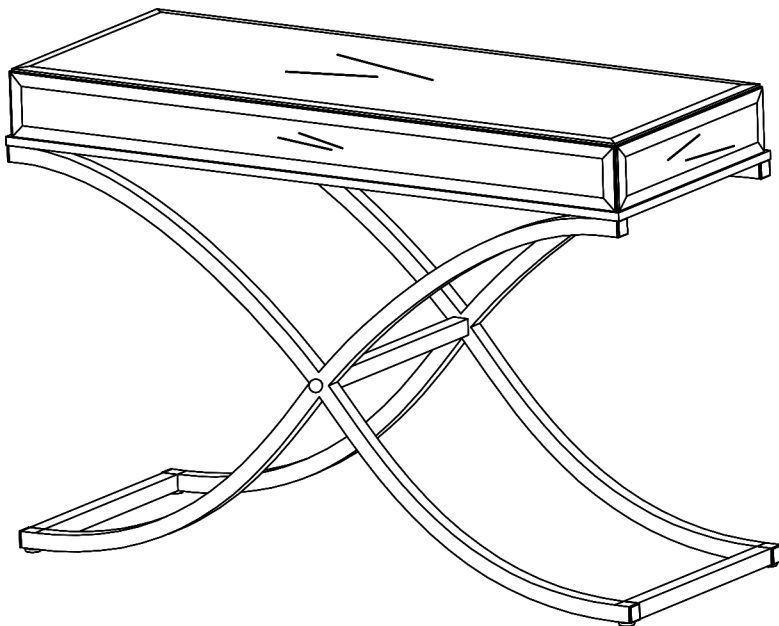


ASSEMBLY INSTRUCTIONS



TOOLS REQUIRED



Allen Wrench
(Included)



2 - Persons
Recommended

ASSEMBLY RATING



EASY —————> DIFFICULT

The Assembly Rating is a 5-point system showing the level of effort needed to assemble a specific product.



CHECK BEFORE STARTING

Are you missing anything?

Double-check all parts, hardware and accessories listed on Page 6 are accounted for.

Check out our Quick Tips!

We recommend reviewing the pre-assembly handouts. Even experts need a refresher now and then!

Should we send any replacements?

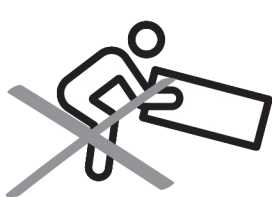
Are there any irregularities or flaws in the parts? We can send replacements!

Prep Time!

Please review the assembly instructions and all diagrams prior to assembling. Arrange parts as recommended on Page 7 and group identical hardware together to make assembling easier.

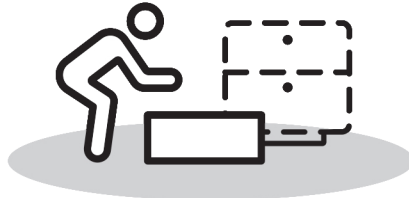
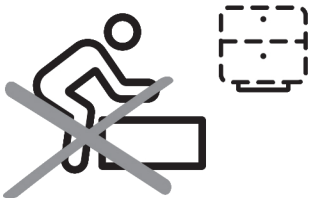
PRE ASSEMBLY INTRODUCTION

We understand building ready-to-assemble furniture can be a challenging experience for some. To help avoid confusion, we have provided some helpful tips that may speed up the process.



Teamwork

ALWAYS have at least two people to help with transporting and assembling the product to avoid potential injury and/or damage.



Suitable Location

Assembling near the area of the intended location is highly recommended.



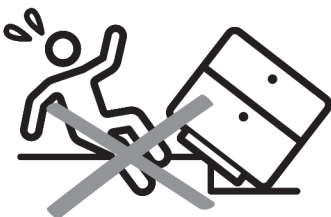
Sufficient Space

Make sure you have enough space to move around during the assembly.



Avoid Scratches

Use cardboard, blankets or a carpeted area while assembling furniture to prevent scratches.



Flat Surface

Make sure the furniture rests on a flat and level surface with each leg evenly touching the floor.

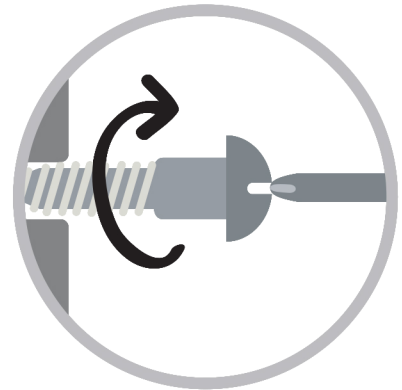
ASSEMBLY AND CARE ADVICE



FAILURE TO FOLLOW THE GUIDELINES BELOW MAY RESULT IN INJURY AND/OR PROPERTY DAMAGE.



Position each part correctly and insert screws or bolts into their respective holes.



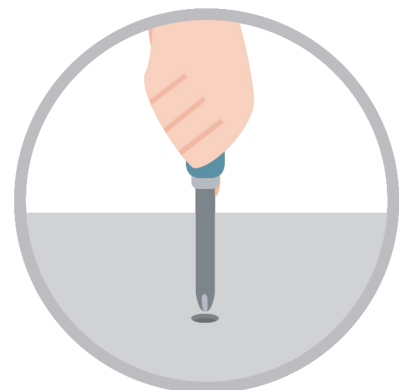
Turn clockwise to tighten and only tighten when step is completed or when instructed to do so.



Use the appropriate hand tools or power tools for assembly. Select steps, such as tightening screws and/or bolts, may require hand tools to avoid causing damage during assembly.



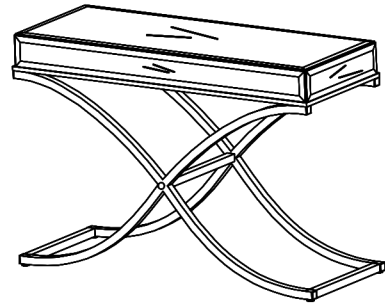
Save the instructions and store any supplied tools for later maintenance.



After two weeks, check and tighten any loose hardware and repeat again every six months thereafter.

IT IS THE USER'S RESPONSIBILITY TO MAINTAIN THE FURNITURE. THE HARDWARE MAY LOOSEN OVER TIME AND MAY CAUSE THE FURNITURE TO BE WOBBLY AND UNABLE TO SUPPORT ITS INTENDED WEIGHT CAPACITY. THIS MAY LEAD TO COLLAPSE AND MAY CAUSE SERIOUS INJURY.

SOFA TABLE



- Please keep instructions for future reference.
- Check the quantity and irregularity of parts and hardware before you start.

Due to the size and/or weight of this product, it is highly recommended that the assembly should be done near the area of its intended location. Make sure you have enough space to move around during the assembly. ALWAYS have at least two people to help with transporting and assembling the product to avoid any potential injury and/or damage.

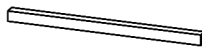
PARTS

#1 2pcs



Leg Stand

#2 1pc



Center Stand Support

#3 2pcs



Lower Stand Support

#4 1pc



Table Frame

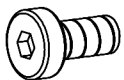
#5 1pc



Table Top

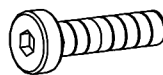
HARDWARE

#A 10pcs



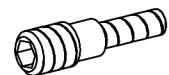
Bolt 1/4"X5/8"

#B 4pcs



Bolt 1/4"X1-1/4"

#C 2pcs



Allen Screw

#D 4pcs



Flat Washer

#E 4pcs



Leveler

#F 1pc



Allen Wrench

#G 2pcs



Knob

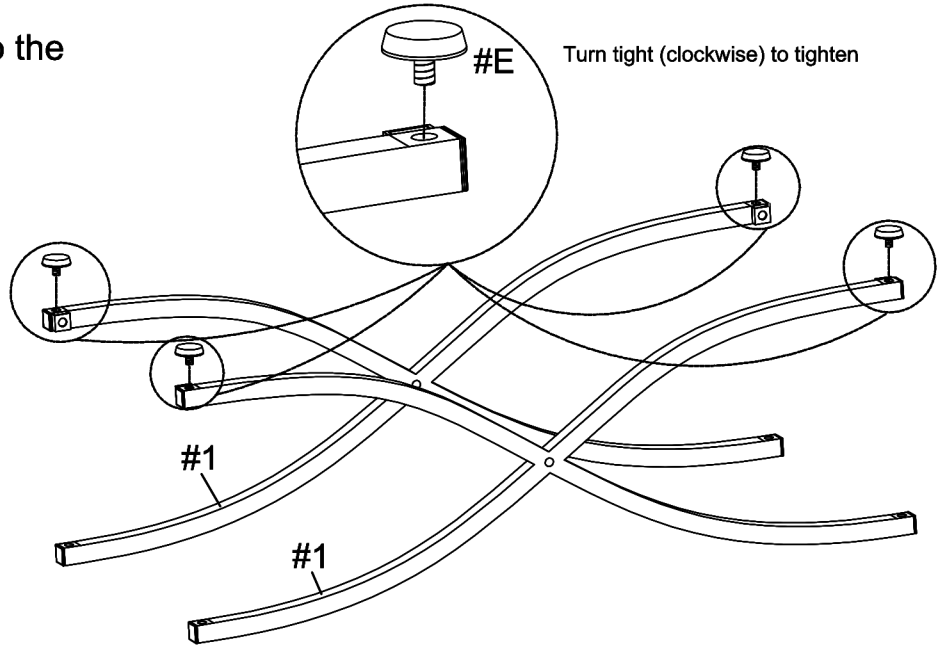
ASSEMBLY INSTRUCTIONS

1

Part #1 x2pcs
Hardware #E x4pcs

Align the threaded ends of the 4 levelers (#E) with the pre-drilled holes on the 2 leg stands (#1) and tighten by hand until secured.

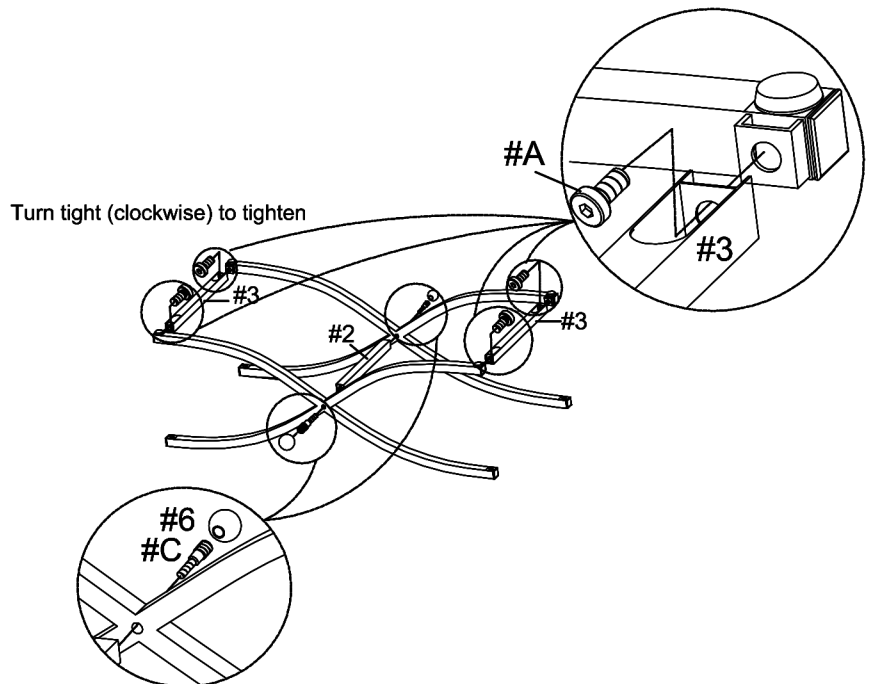
Adjust the levelers according to the ground level on Step 4.



2

Part #2 x1pc
Part #3 x2pcs
Hardware #A x4pcs
Hardware #C x2pcs
Hardware #G x2pcs

- I. Align the center stand support (#2) with the 2 leg stands (#1).
- II. Insert 2 Allen screws (#C) through the leg stands (#1) and secure those screws (#C) using the Allen wrench (#F) to lock them with the 2 leg stands (#1). Screw 2 knobs (#G) onto the heads of the Allen screws (#C) until secured.
- III. Align the 2 lower stand supports (#3) with the 2 leg stands (#1).
- IV. Secure 4 flat-head bolts (#A) through the lower stand supports (#3) using the Allen wrench (#F) to lock them with the 2 leg stands (#1).



ASSEMBLY INSTRUCTIONS

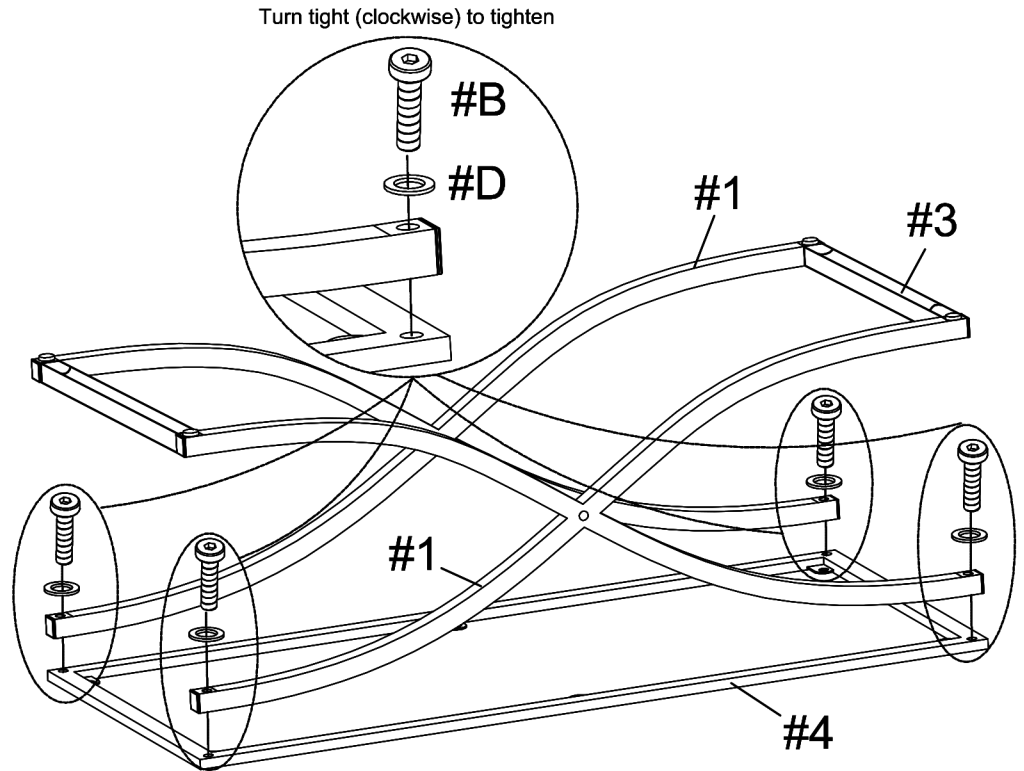
3

Part #4 x1pc

Hardware #B x4pcs

Hardware #D x4pcs

- I. Align the assembled leg stands (#1) with the pre-drilled holes on the table frame (#4).
- II. Prepare 4 bolt assemblies by inserting the flat washer (#D) onto the bolt (#B).
- III. Insert the bolt assemblies through the assembled leg stands (#1) and secure those bolts using the Allen wrench (#F) to lock them with the table frame (#4).

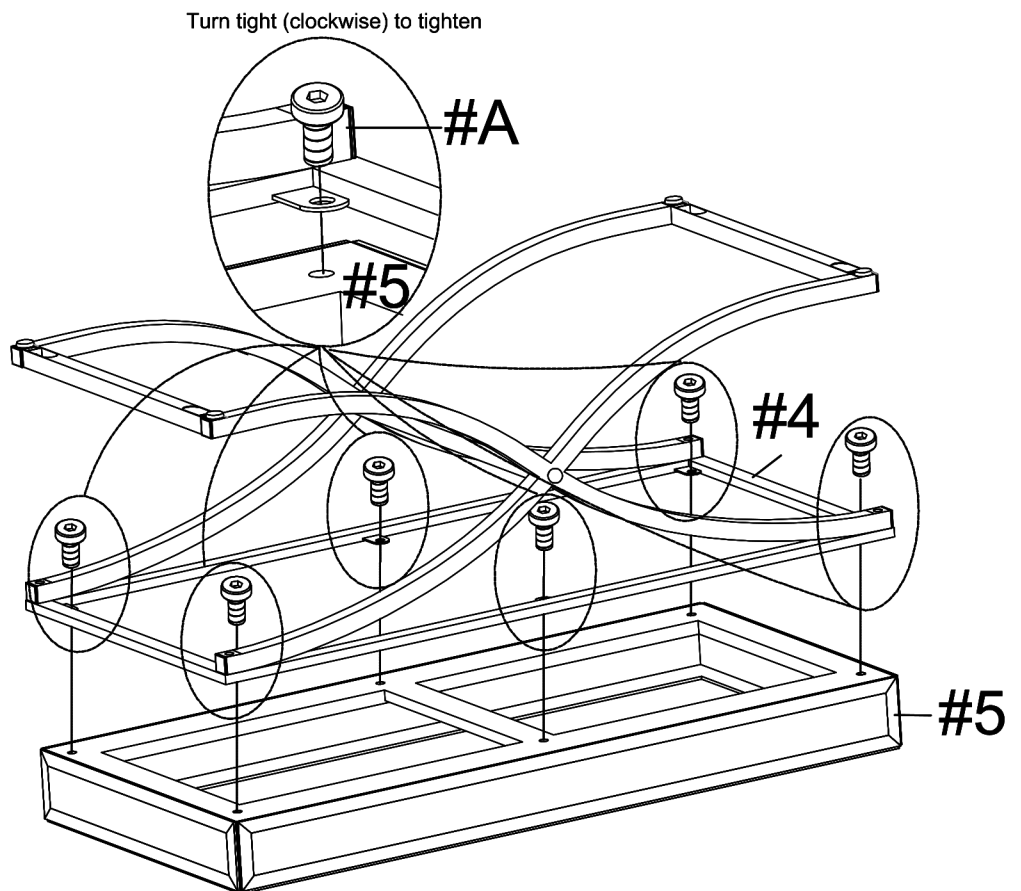


4

Part #5 x1pc

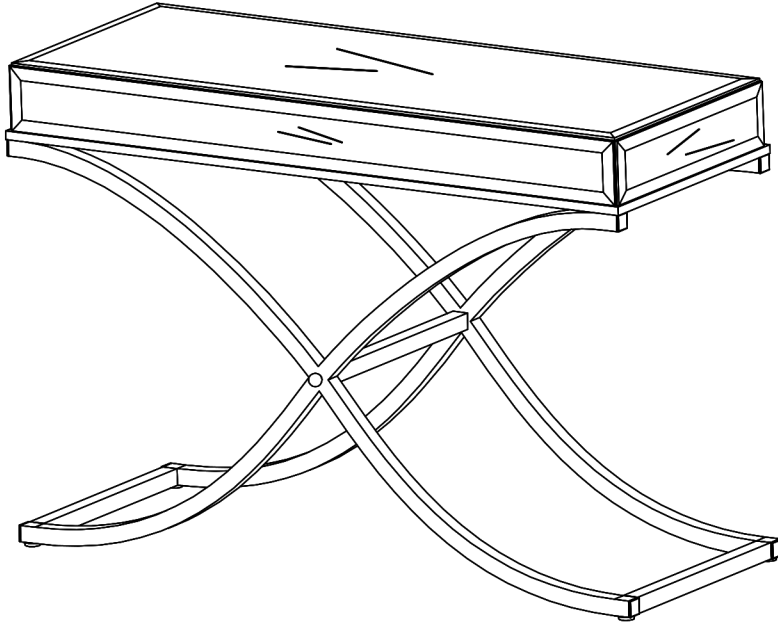
Hardware #A x6pcs

- I. With the help of another person, carefully place the table top (#5) facing down on a protected surface. Align the brackets of the assembled table frame (#4) with the pre-drilled holes on the table top (#5).
- II. Insert 6 flat-head bolts (#A) through the brackets of the assembled table frame (#4) and secure those bolts (#A) using the Allen wrench (#F) to lock them with the table top (#5).
- III. Carefully place the table in the upright position. Make sure the table is rested on a flat surface and does not feel loose or wobbly. If it does, double check that the bolts/screws are secured and properly tightened.
- IV. If necessary, adjust the levelers (#E) according to the ground level. To lower or to raise the levelers (#E), turn the levelers clockwise or counterclockwise, respectively.



ASSEMBLY INSTRUCTIONS

5



ASSEMBLY COMPLETED



Please ensure the furniture rests on an even and flat surface. If the product wobbles or feels loose, double-check all bolts and/or screws are properly tightened and secured.



Keep this handy!

Please retain this instruction manual and any order-related information for future reference.