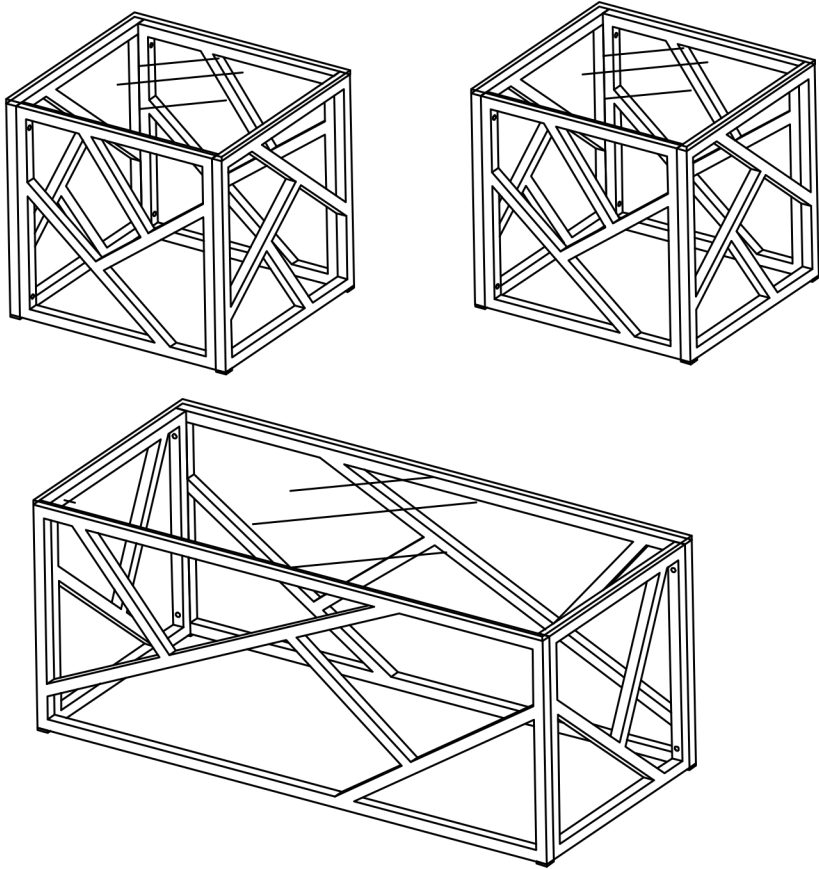


# Assembly Instructions



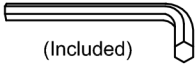
## ASSEMBLY RATING

The Assembly Rating is a 5-point system that shows the degree of effort needed in assembling a specific product (with 1 being easy and 5 being difficult). For some products, two persons are recommended.



## Tools Required For Assembly:

Allen Wrench



(Included)

Phillips Screwdriver



(Not Included)

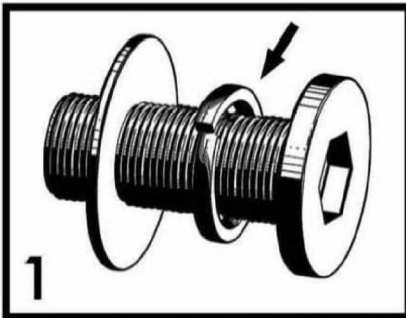


2 PERSONS RECOMMENDED

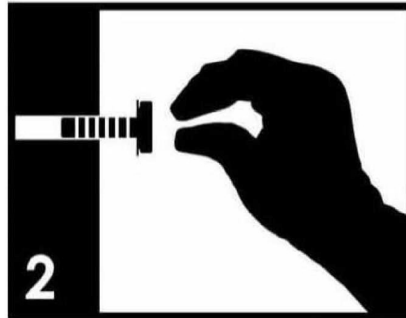
# ASSEMBLY & CARE ADVICE

FOR YOUR FURNITURE TO LAST, CORRECT ASSEMBLY AND PROPER MAINTENANCE ARE NECESSARY. PLEASE FOLLOW THE INFORMATION PROVIDED BELOW TO FULLY ENJOY YOUR FURNITURE.

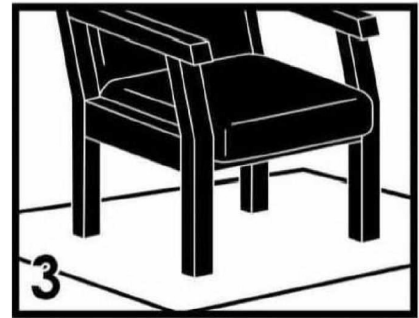
## BASIC ASSEMBLY TECHNIQUES



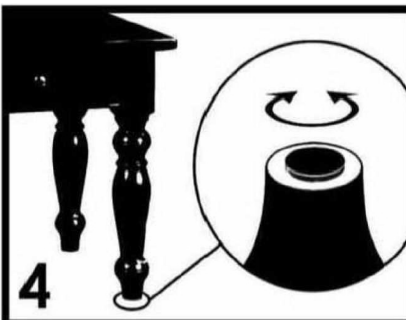
When lock or spring washer is used in an assembly, please make sure the lock or spring washer is placed between the larger flat washer and the head of the screw or bolt.



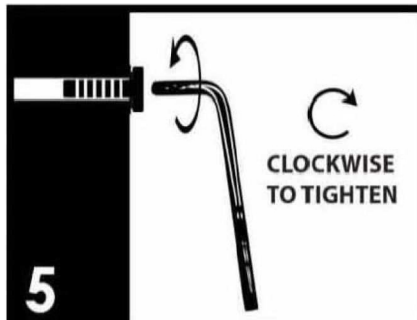
Position each part correctly and insert screws or bolts into their respective holes by hand tighten or using the proper hand tool. Only tighten when step is completed or when instructed to do so.



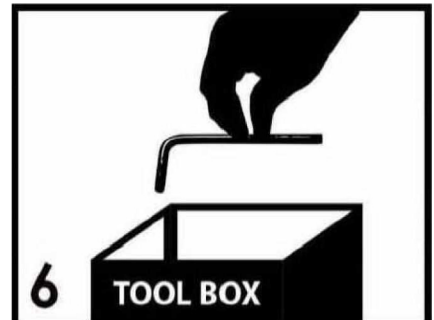
Use cardboard or carpet area when assembling furniture to prevent scratches. Make sure the furniture rests on a flat and level surface with each leg evenly touching the floor.



Some furniture comes with height adjustment knobs underneath each leg. To lower or to raise each leg, you need to turn clockwise or counterclockwise, respectively.



Make sure all parts are properly aligned, then use the appropriate hand tool to completely tighten the bolts or screws. Do not use power tools and do not overtighten.

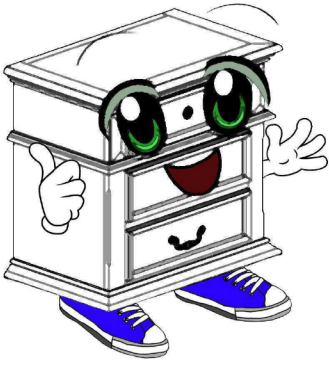


Save the instructions and store the Allen wrench or any supplied tool for later maintenance. After two weeks, check and tighten any loose hardware and repeat again every six months thereafter.

IT IS THE USER'S RESPONSIBILITY TO MAINTAIN THE FURNITURE. THE HARDWARE MAY LOOSEN OVER TIME AND MAY CAUSE THE FURNITURE TO BE WOBBLY AND UNABLE TO SUPPORT ITS INTENDED WEIGHT CAPACITY. THIS MAY LEAD TO COLLAPSE AND MAY CAUSE SERIOUS INJURY.



**FAILURE TO FOLLOW THE GUIDELINES ABOVE MAY RESULT IN INJURY AND/OR PROPERTY DAMAGE.**

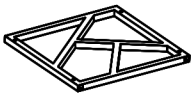


Before you begin, please read Page 2 of "Assembly and Care Advice".

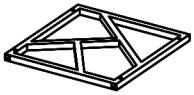
And remember, do not tighten until each step is completed or instructed.

### Parts List

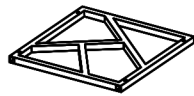
### Hardware List



# 1 x 2pcs  
End Table Right Panel



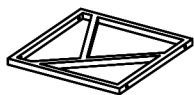
# 2 x 2pcs  
End Table Left Panel



# 3 x 4pcs  
End Table Side Panel



# 4 x 2pcs  
End Table Glass Top



# 5 x 2pcs  
Cock Tab Short Panel



# 6 x 2pcs  
Cock Tab Large Panel



# 7 x 1pc  
Cock Tab Glass Top



# A x 24pcs  
Bolt 1/4" x 3/4"



# B x 12pcs  
End Cap

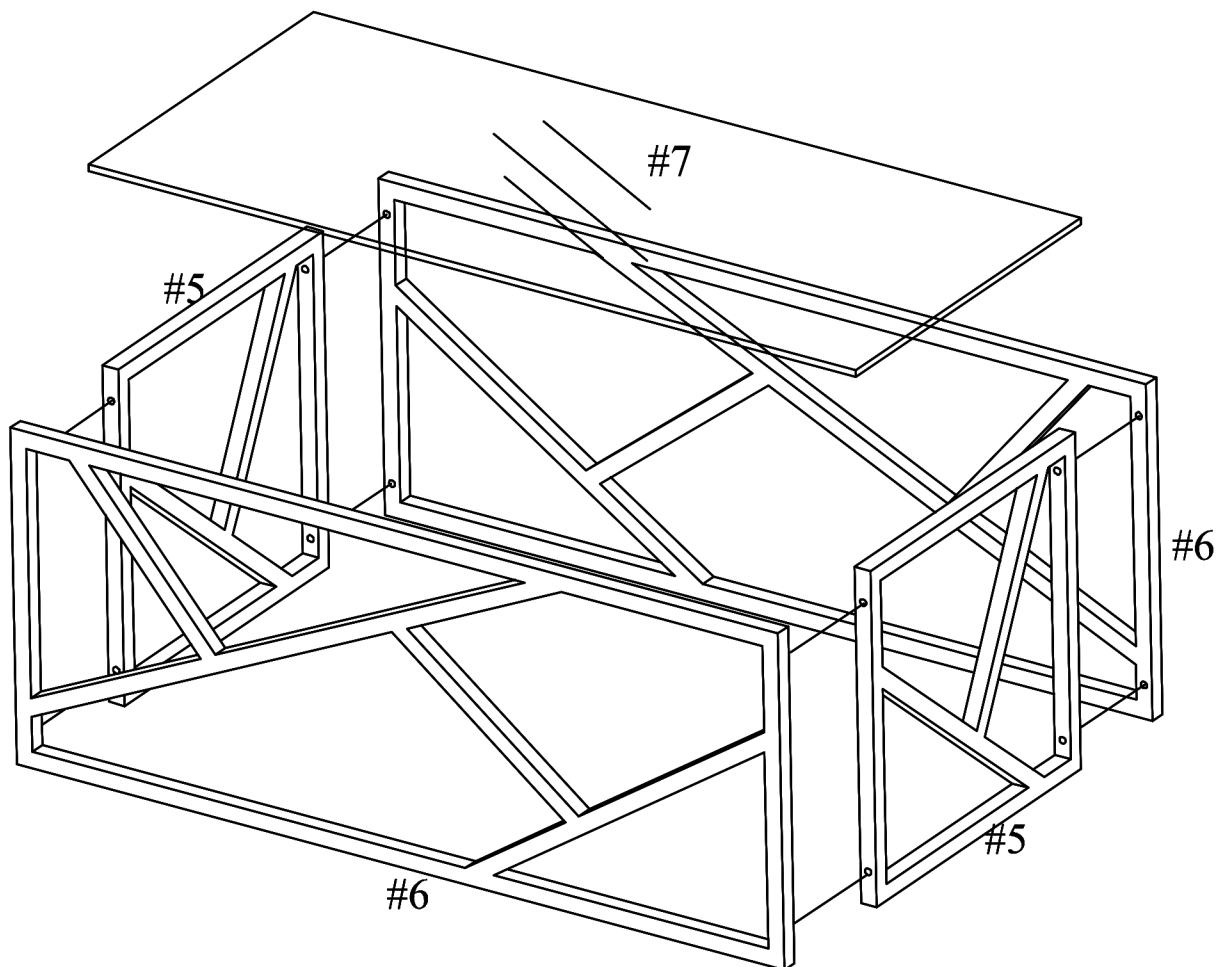
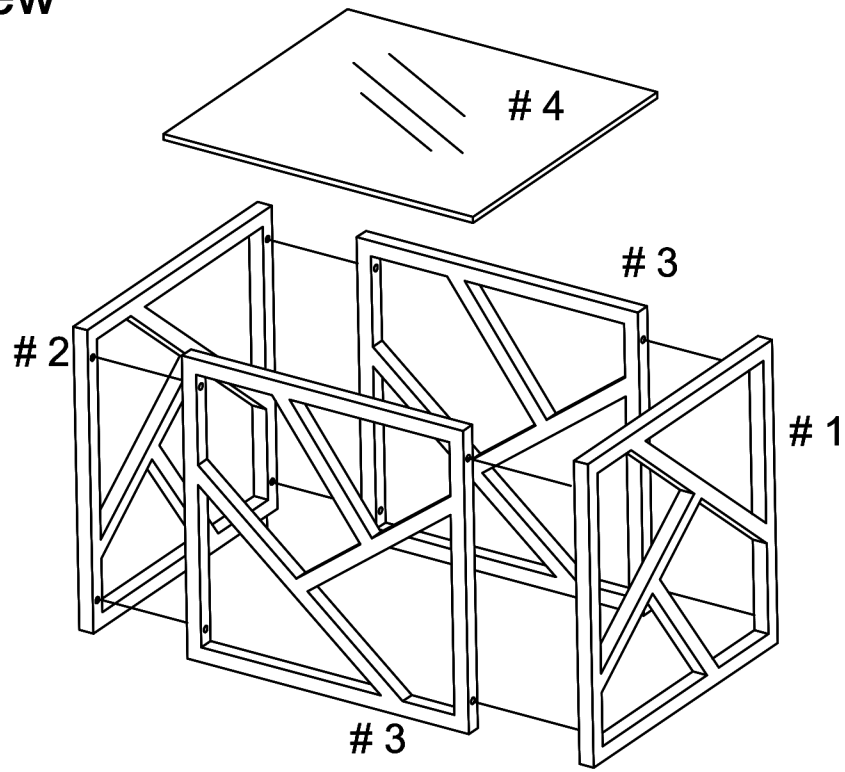


# C x 14pcs  
Glass Tip



# D x 1pc  
Allen Wrench

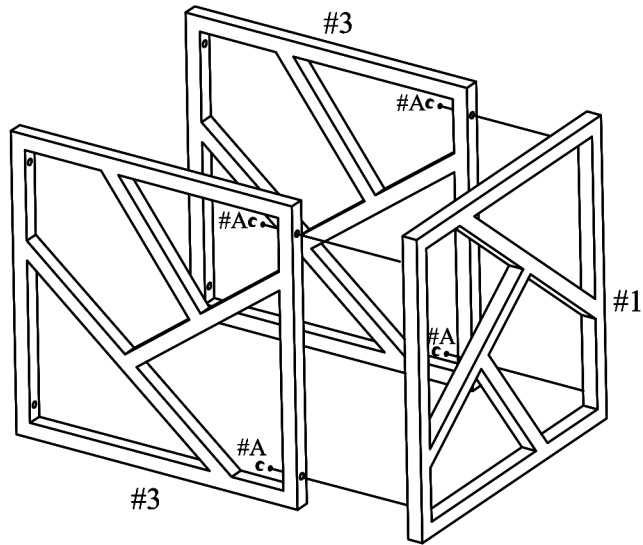
# Exploded View





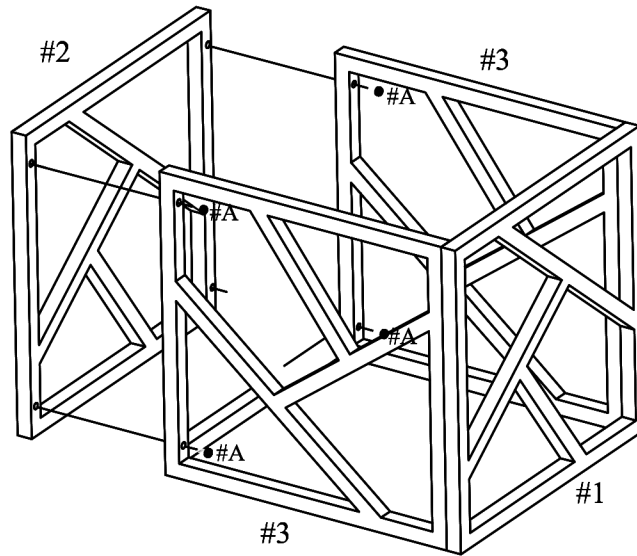
Align end table side panels (#3) to the holes of the end table right panel (#1).  
Secure by using bolts (#A).

#A 4Pcs



Align end table left panel (#2) to the holes of the end table side panels (#3).  
Secure by using bolts (#A).

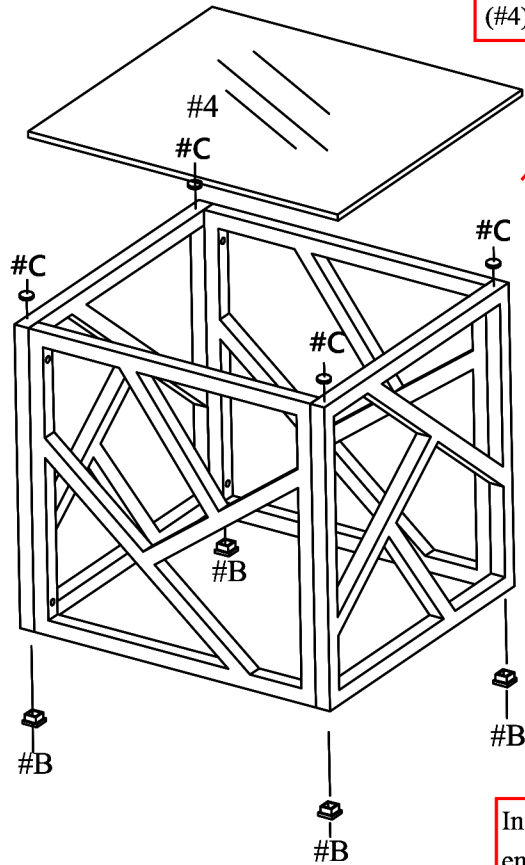
#A 4Pcs





#B 4Pcs  
#C 4Pcs

Attach glass tip (#C) to the corners of the end table, then carefully place glass top (#4) onto the top of the end table.

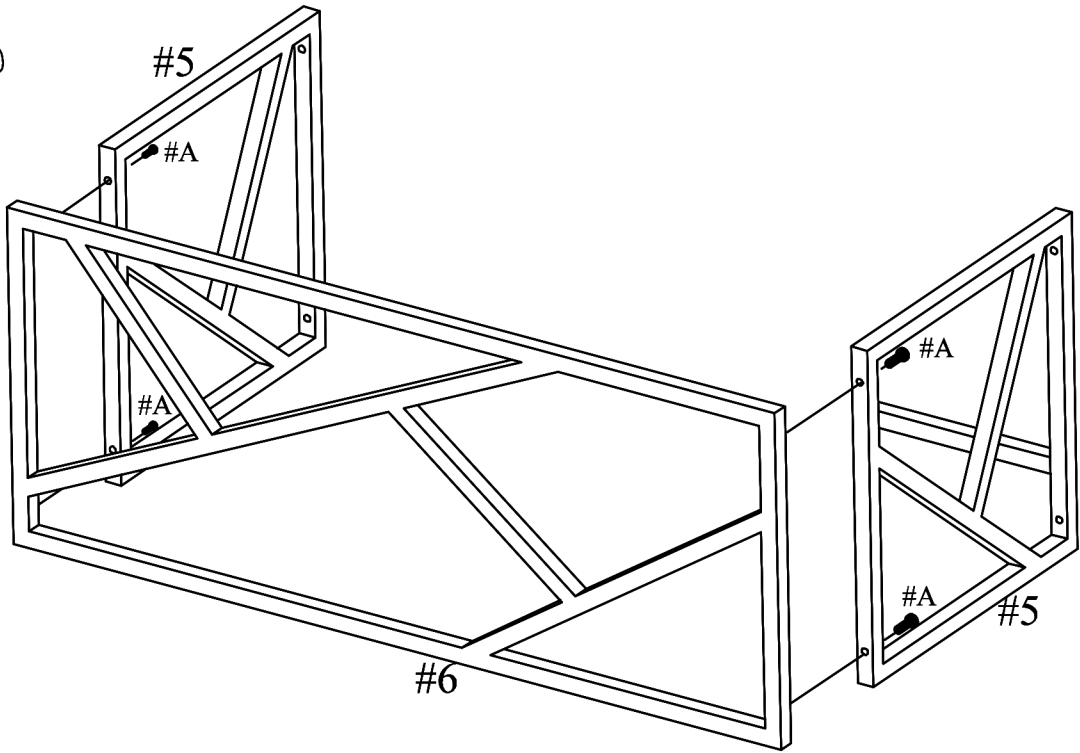


Insert end caps (#B) to the bottom of the end table.



#A 4Pcs

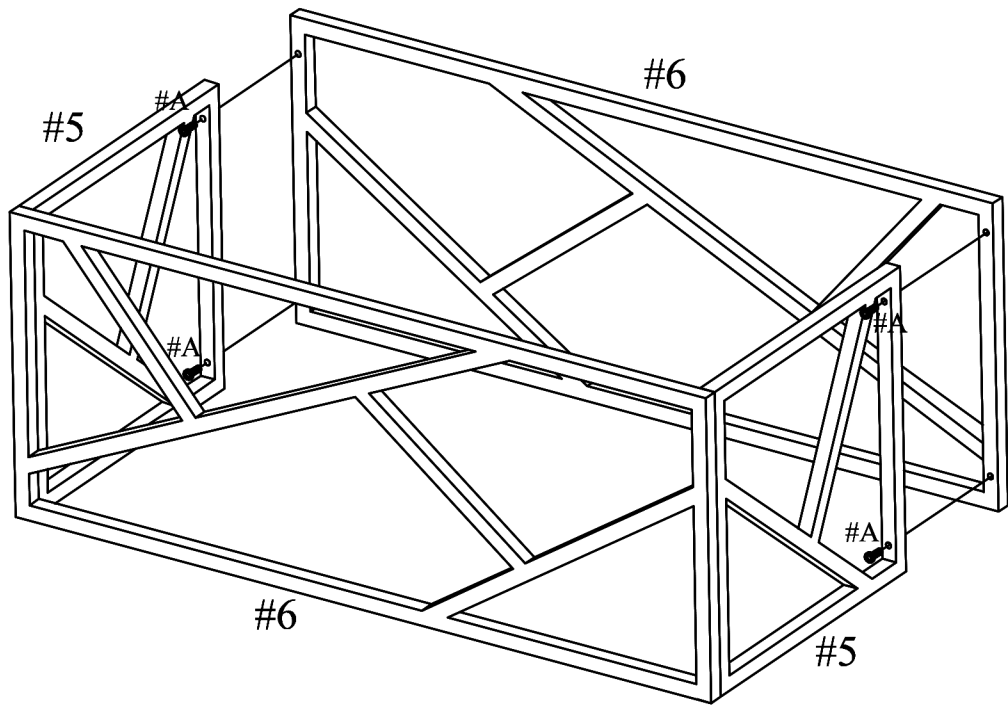
Align coffee table side panels (#5) to the holes of the coffee table large panel (#6), then secure by using bolts (#A).





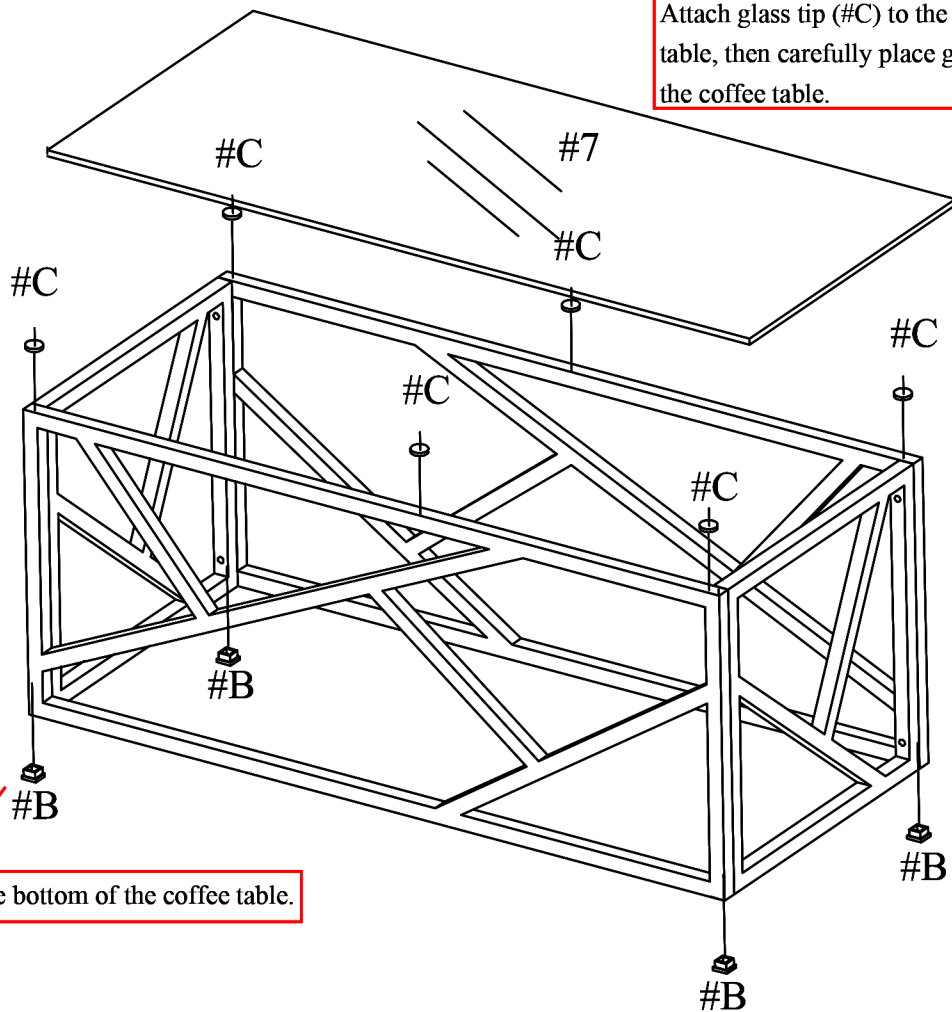
Align larger panel (#6) to the holes of the shorter panels (#5), then secure by using bolts (#A).

#A 4Pcs



Attach glass tip (#C) to the top of the coffee table, then carefully place glass top (#7) onto the coffee table.

#B 4Pcs  
#C 6Pcs



Attach end caps (#B) to the bottom of the coffee table.