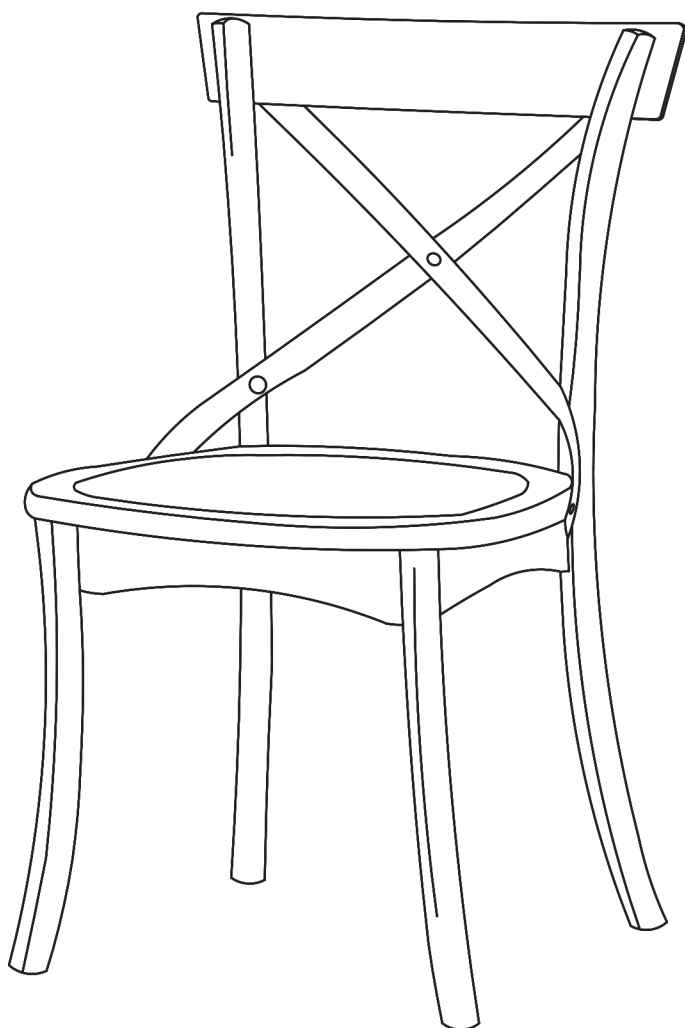


ASSEMBLY INSTRUCTIONS



TOOLS REQUIRED



Allen Wrench
(Included)



**2 - People
Recommended**

ASSEMBLY RATING



EASY → DIFFICULT

The Assembly Rating is a 5-point system showing the level of effort needed to assemble a specific product.



CHECK BEFORE STARTING

Are you missing anything?

Double-check all parts, hardware and accessories listed are all accounted for.

Should we send any replacements?

Are there any irregularities or flaws in the parts? We can send replacements!

Check out our Quick Tips!

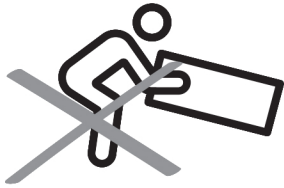
We recommend reviewing the pre-assembly handouts. Even experts need a refresher now and then!

Prep Time!

Please review the assembly instructions and all diagrams prior to assembling.

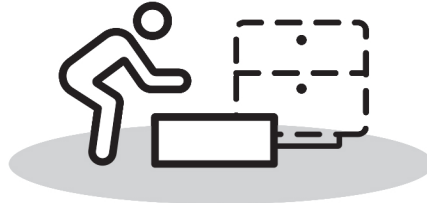
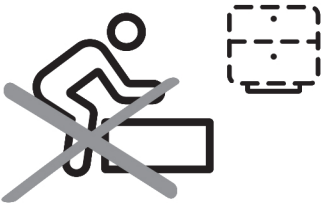
PRE ASSEMBLY INTRODUCTION

We understand building ready-to-assemble furniture can be a challenging experience for some. To help avoid confusion, we have provided some helpful tips that may speed up the process.



Teamwork

ALWAYS have at least two people to help with transporting and assembling the product to avoid potential injury and/or damage.



Suitable Location

Assembling near the area of the intended location is highly recommended.



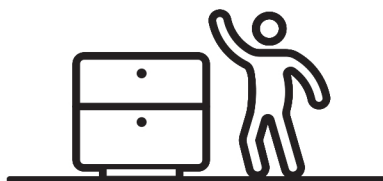
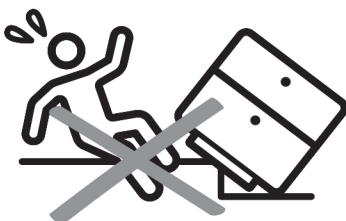
Sufficient Space

Make sure you have enough space to move around during the assembly.



Avoid Scratches

Use cardboard, blankets or a carpeted area while assembling furniture to prevent to prevent scratches and damages.



Flat Surface

Make sure the furniture rests on a flat and level surface with each leg evenly touching the floor.

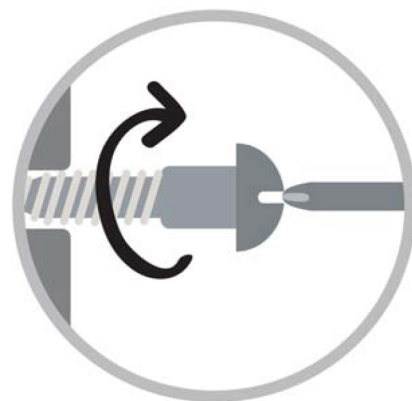
ASSEMBLY AND CARE ADVICE



FAILURE TO FOLLOW THE GUIDELINES BELOW MAY RESULT IN INJURY AND/OR PROPERTY DAMAGE.



Position each part correctly and insert screws or bolts into their respective holes.



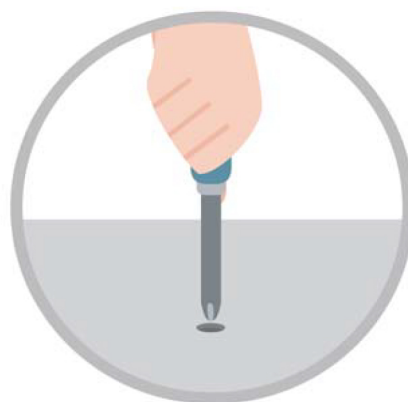
Turn clockwise to tighten and only tighten when step is completed or when instructed to do so.



Use the appropriate hand tools or power tools for assembly. Select steps, such as tightening screws and/or bolts, may require hand tools to avoid causing damage during assembly.



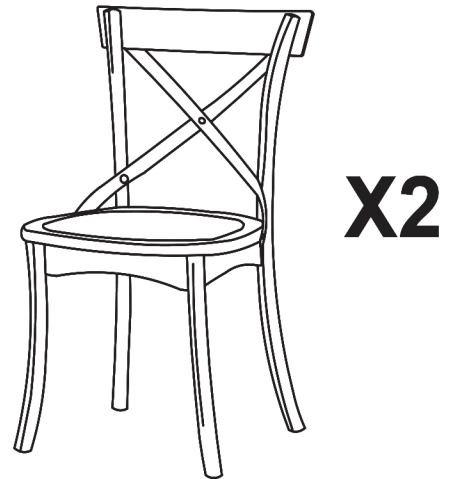
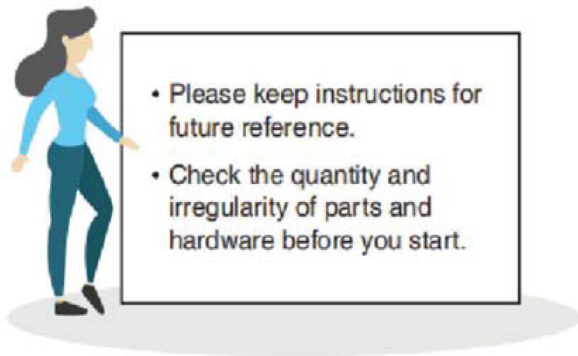
Save the instructions and store any supplied tools for later maintenance.



After two weeks, check and tighten any loose hardware and repeat again every six months thereafter.

IT IS THE USER'S RESPONSIBILITY TO MAINTAIN THE FURNITURE. THE HARDWARE MAY LOOSEN OVER TIME AND MAY CAUSE THE FURNITURE TO BE WOBBLY AND UNABLE TO SUPPORT ITS INTENDED WEIGHT CAPACITY. THIS MAY LEAD TO COLLAPSE AND MAY CAUSE SERIOUS INJURY.

SIDE CHAIR WITH WOODEN SEAT



PARTS

#1 1pc x 2



Chair Seat

#2 2pcs x 2



Front Leg

#3 1pc x 2



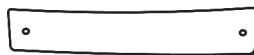
Rear Leg - **1**

#4 1pc x 2



Rear Leg - **2**

#5 1pc x 2



Rear Cap Rail

#6 2pcs x 2



Metal Brace

HARDWARE

#A 1pc x 2



M6 x 10MM
Bolt

#B 4pcs x 2



M6 x 20MM
Bolt

#C 2pcs x 2



M6 x 35MM
Bolt

#D 8pcs x 2



M6 x 70MM
Bolt

#E 14pcs x 2



M6 x 13MM
Spring Washer

#F 15pcs x 2



M6 x 19MM
Flat Washer

#G 1pc x 2



M6 x 10MM
Hex Nut

#H 1pc



M4 Allen Wrench

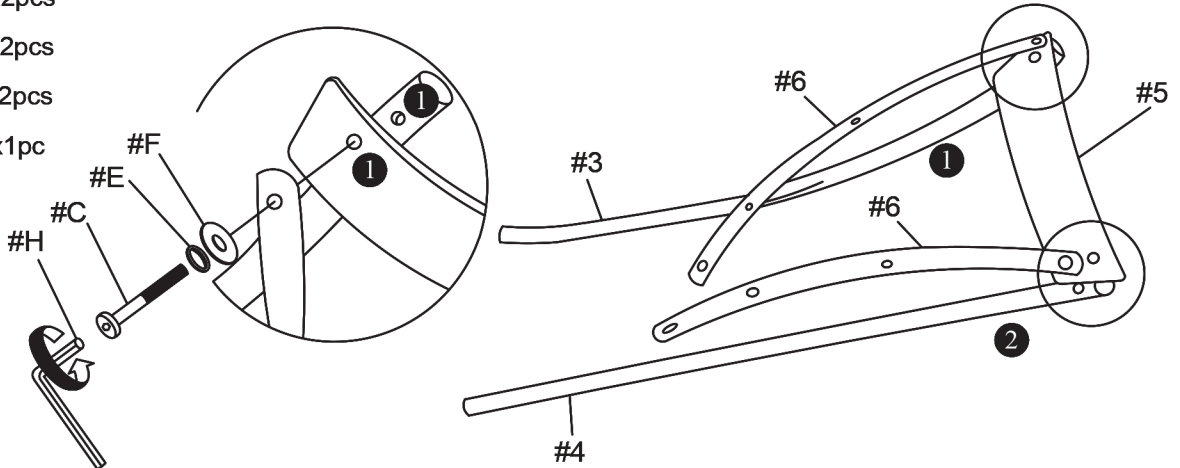
ASSEMBLY INSTRUCTIONS

1

- Part #3 x1pc
- Part #4 x1pc
- Part #5 x1pc
- Part #6 x2pcs
- Hardware #C x2pcs
- Hardware #E x2pcs
- Hardware #F x2pcs
- Hardware #H x1pc

Align Rear Cap Rail (#5) to the Rear Leg (#3,4), then secure Metal Brace (#6) by using bolts (#C) with washers (#E,F).

⚠ DO NOT TIGHTEN ALL BOLTS UNTIL ALL PARTS ARE COMPLETELY ASSEMBLED

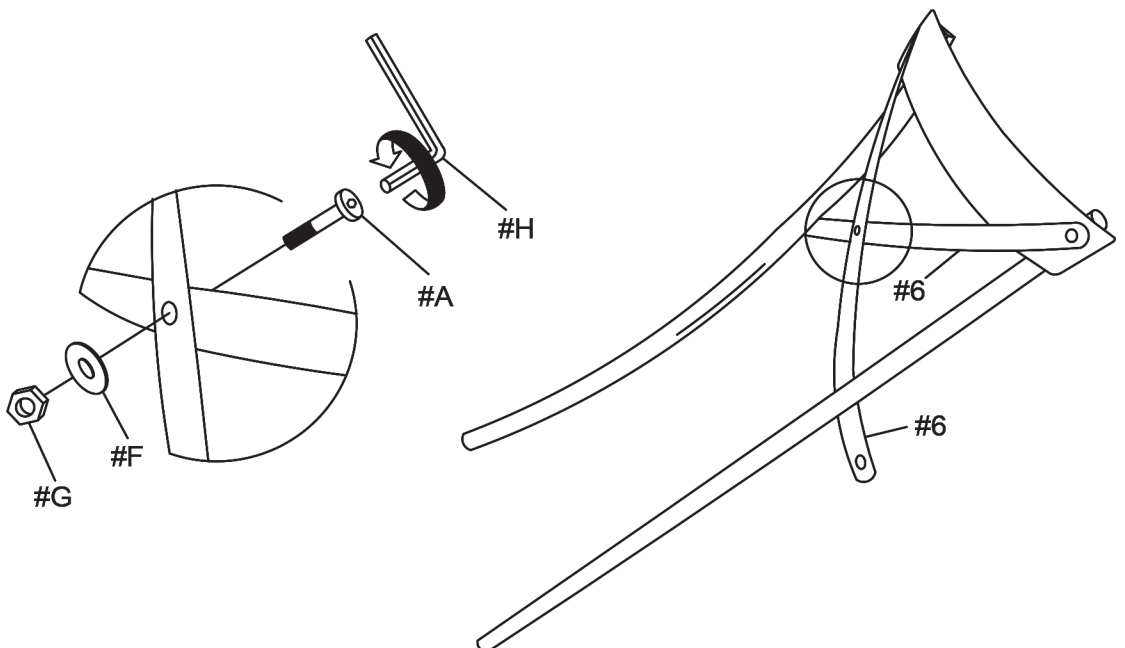


2

- Hardware #A x1pc
- Hardware #F x1pc
- Hardware #G x1pc
- Hardware #H x1pc

Align and secure both Metal Braces (#6) by using bolt (#A) with washers (#F) and nut (#G).

⚠ DO NOT TIGHTEN ALL BOLTS UNTIL ALL PARTS ARE COMPLETELY ASSEMBLED



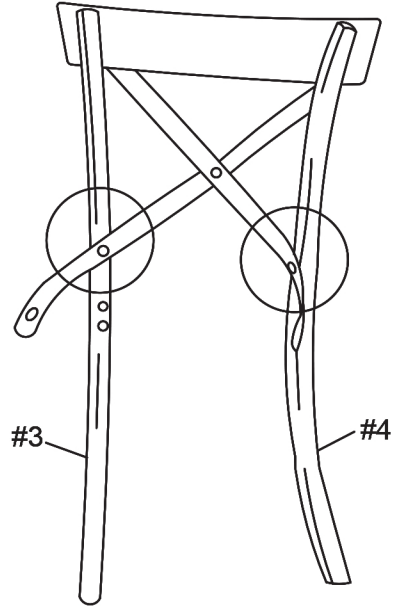
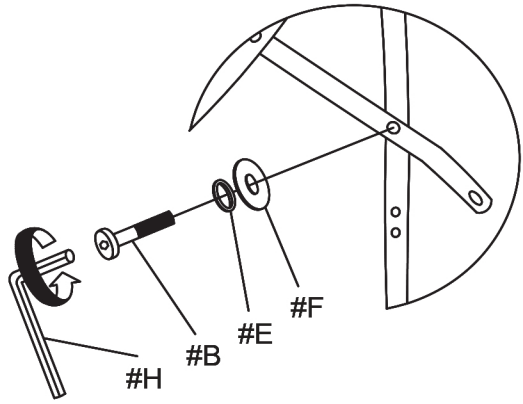
ASSEMBLY INSTRUCTIONS

3

- Hardware **#B** x2pcs
- Hardware **#E** x2pcs
- Hardware **#F** x2pcs
- Hardware **#H** x1pc

Align Metal Brace (#6) to the rear leg (#3,4), then secure by using bolts (#B) with washers (#E,F).

⚠ DO NOT TIGHTEN ALL BOLTS UNTIL ALL PARTS ARE COMPLETELY ASSEMBLED

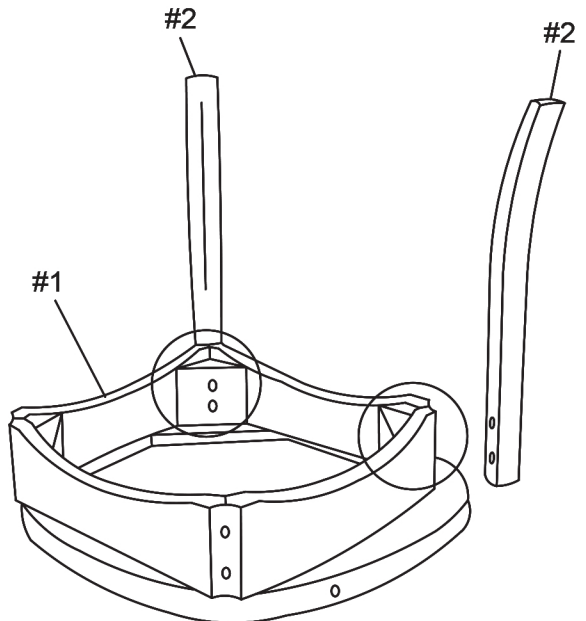
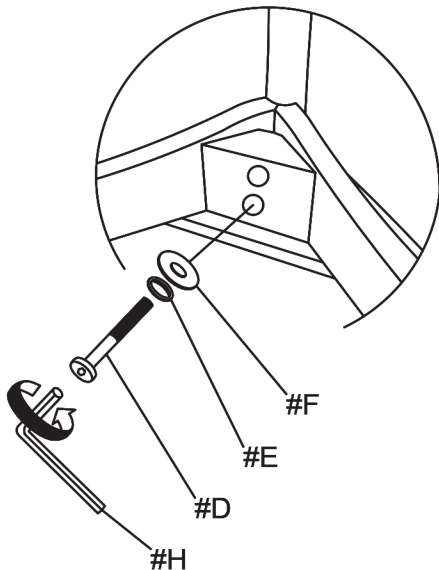


4

- Part **#1** x1pc
- Part **#2** x2pcs
- Hardware **#D** x4pcs
- Hardware **#E** x4pcs
- Hardware **#F** x4pcs
- Hardware **#H** x1pc

Align Front Leg (#2) to the Chair Seat (#1), then secure by using bolts (#D) with washers (#E,F).

⚠ DO NOT TIGHTEN ALL BOLTS UNTIL ALL PARTS ARE COMPLETELY ASSEMBLED



ASSEMBLY INSTRUCTIONS

5

Hardware **#D** x4pcs

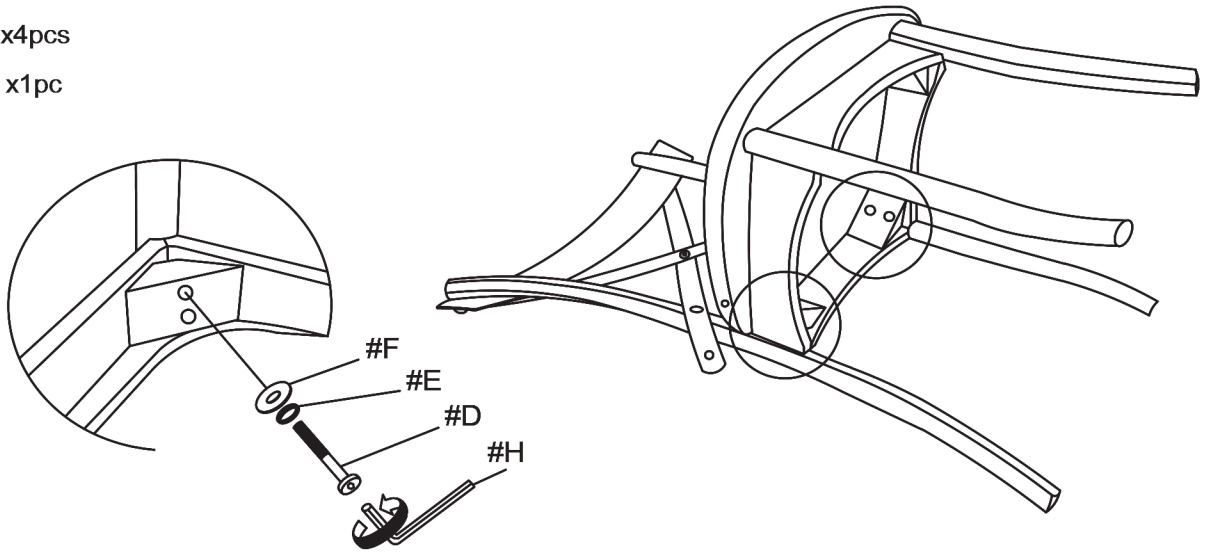
Hardware **#E** x4pcs

Hardware **#F** x4pcs

Hardware **#H** x1pc

Align Chair Seat (#1) to the Rear Leg (#3,4), then secure by using bolts (#D) with washers (#E,F).

⚠ DO NOT TIGHTEN ALL BOLTS UNTIL ALL PARTS ARE COMPLETELY ASSEMBLED



6

Hardware **#B** x2pcs

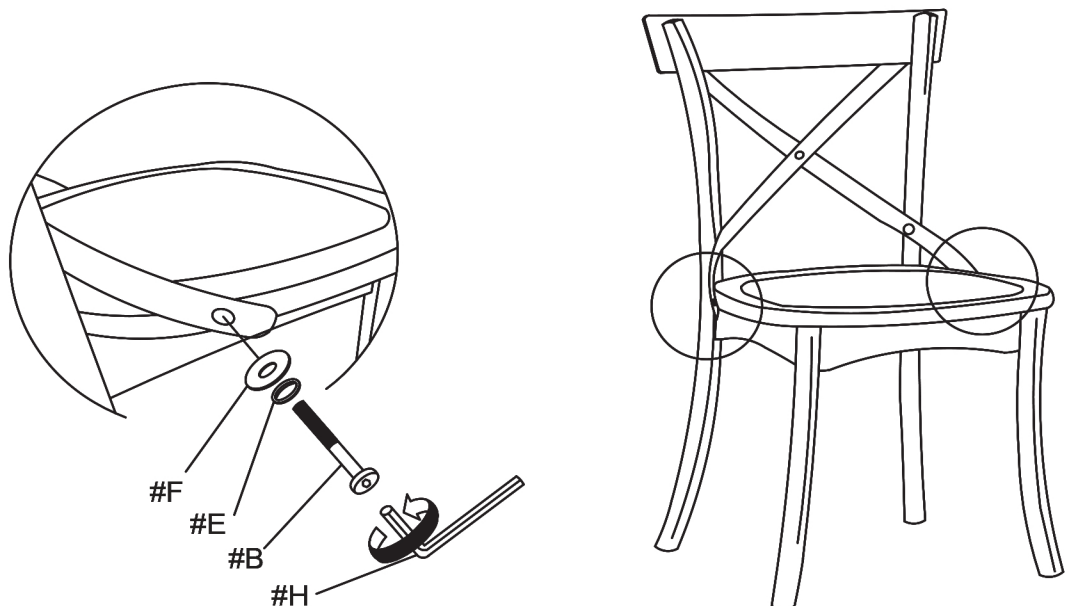
Hardware **#E** x2pcs

Hardware **#F** x2pcs

Hardware **#H** x1pc

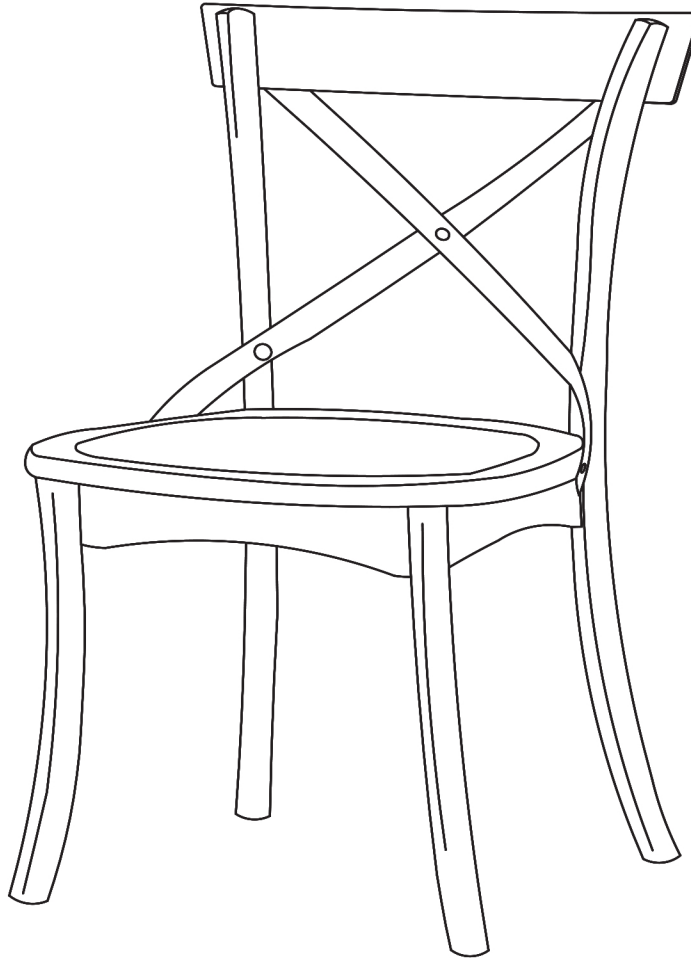
Align Metal Brace (#6) to the Chair Seat (#1), then secure by using bolts (#B) with washers (#E,F).

⚠ DO NOT TIGHTEN ALL BOLTS UNTIL ALL PARTS ARE COMPLETELY ASSEMBLED



ASSEMBLY INSTRUCTIONS

7



ASSEMBLY COMPLETED



Please ensure the furniture rests on an even and flat surface. If the product wobbles or feels loose, double-check all bolts and/or screws are properly tightened and secured.

✓ **Keep this handy!**

Please retain this instruction manual and any order-related information for future reference.

✓ **Lift, don't drag!**

To avoid damage to product please always LIFT the product when transporting or adjusting the placement.